



US00D805781S

(12) **United States Design Patent** (10) **Patent No.:** **US D805,781 S**
Szymanski et al. (45) **Date of Patent:** **** Dec. 26, 2017**

(54) **FACIAL BRUSH**

(71) Applicants: **Aaron Szymanski**, Thomaston, CT (US); **LoriAnn Lombardo**, East Hanover, NJ (US); **Anand Khubani**, Towaco, NJ (US); **Lana Rascionato**, Totowa, NJ (US)

(72) Inventors: **Aaron Szymanski**, Thomaston, CT (US); **LoriAnn Lombardo**, East Hanover, NJ (US); **Anand Khubani**, Towaco, NJ (US); **Lana Rascionato**, Totowa, NJ (US)

(73) Assignee: **IdeaVillage Products Corporation**, Wayne, NJ (US)

(**) Term: **15 Years**

(21) Appl. No.: **29/620,445**

(22) Filed: **Dec. 20, 2016**

(51) **LOC (10) Cl.** **04-02**

(52) **U.S. Cl.**
USPC **D4/102**

(58) **Field of Classification Search**
USPC D4/100, 102, 114, 127, 128, 130, 132, D4/133, 134, 135, 138, 199, 121; D28/63; D24/200, 210
CPC A46B 13/001; A46B 13/008; A46B 2200/1006; A46B 13/02; A46B 5/0095; A46B 2200/102; A46B 5/02; A46B 7/08; A46B 13/00; A47K 7/04; A47K 7/043; A47K 7/00; A47K 7/02; A61H 2201/1671; A61H 7/005; A61H 7/002; A61H 2205/081

See application file for complete search history.

(56) **References Cited**

U.S. PATENT DOCUMENTS

D147,710 S * 10/1947 Witte D4/134
D179,650 S * 2/1957 Mayer D4/133

D227,825 S * 7/1973 Runckel D1/105
D238,281 S * 12/1975 Cali D24/139
D245,883 S * 9/1977 Tsuji D4/102
D258,241 S * 2/1981 Takada D4/135
D484,314 S * 12/2003 DiGioia D4/115
D500,854 S * 1/2005 Eichel D24/133
D652,523 S * 1/2012 Bradley D24/209
D713,150 S * 9/2014 Maurin D4/102
9,138,257 B2 * 9/2015 Revivo A61B 17/54
D742,647 S * 11/2015 Hosler D4/102
D764,173 S * 8/2016 Nichols D4/102
D767,897 S * 10/2016 Hosler D4/102
9,486,064 B2 * 11/2016 Zhou A61H 7/005
D773,823 S * 12/2016 Wong D4/102
D775,839 S * 1/2017 Rennette D4/138
9,579,250 B2 * 2/2017 Nichols A46B 13/023
9,681,782 B2 * 6/2017 McCauley A47K 7/043
9,717,376 B2 * 8/2017 Hwang A61H 7/005

(Continued)

FOREIGN PATENT DOCUMENTS

CN 301961504 * 6/2012
CN 302711278 * 1/2014

Primary Examiner — Karen E Eldridge Powers

(74) *Attorney, Agent, or Firm* — Dan Delarosa

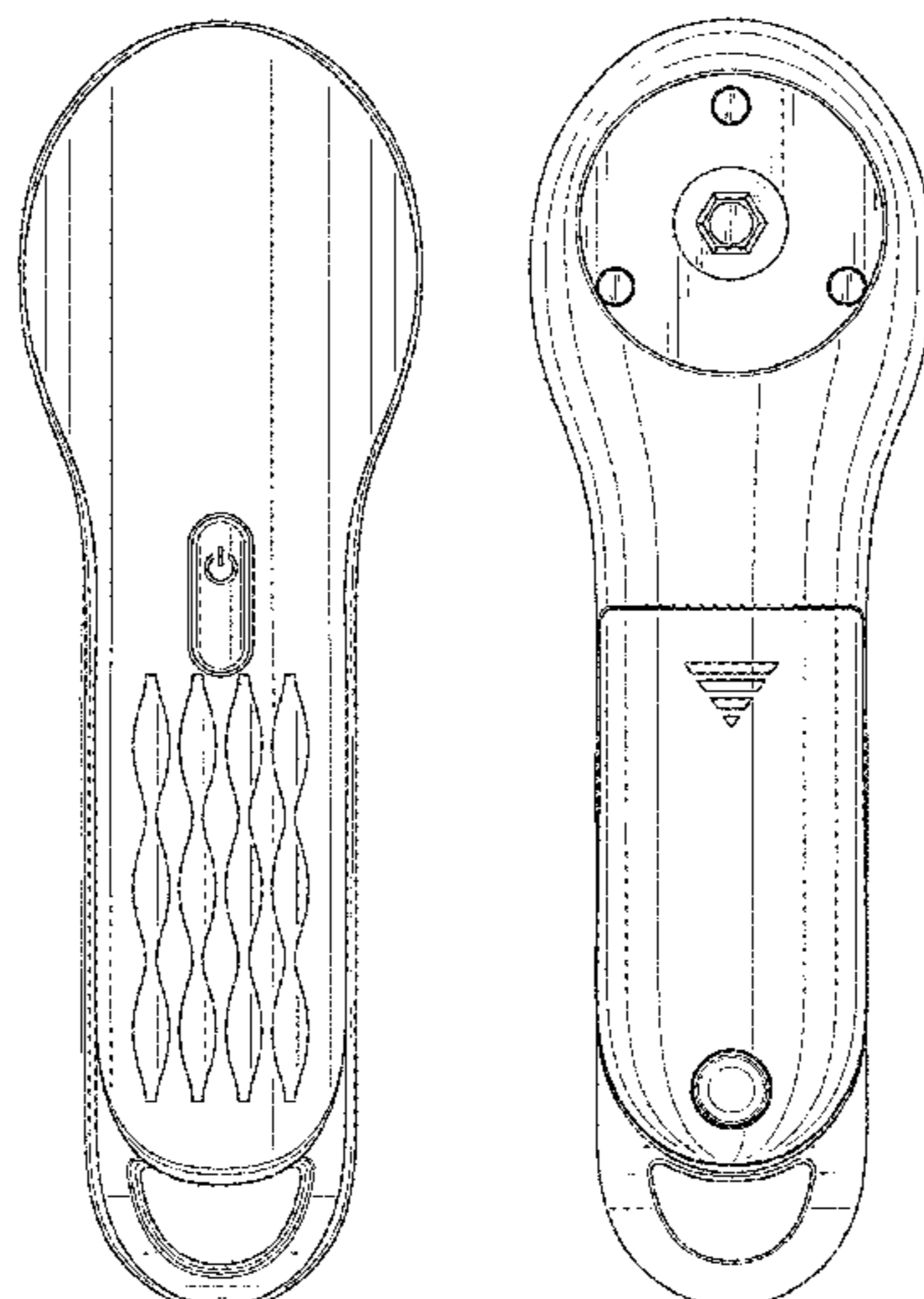
(57) **CLAIM**

The ornamental design for a facial brush, as shown and described.

DESCRIPTION

FIG. 1 is a front perspective view of a facial brush of the present invention showing my new design;
FIG. 2 is a front elevation view thereof;
FIG. 3 is a rear elevation view thereof.
FIG. 4 is a side elevation view thereof;
FIG. 5 is another side elevation view thereof
FIG. 6 is a top plan view thereof; and,
FIG. 7 is a bottom plan view thereof.

1 Claim, 6 Drawing Sheets



(56)

References Cited

U.S. PATENT DOCUMENTS

2010/0217263 A1* 8/2010 Tukulj-Popovic . A45D 26/0004
606/43
2013/0023806 A1* 1/2013 Ungemach A61H 7/005
601/114
2016/0120375 A1* 5/2016 Philips A47K 7/043
15/22.1
2016/0183743 A1* 6/2016 Sueyoshi A61H 35/008
15/21.1

* cited by examiner

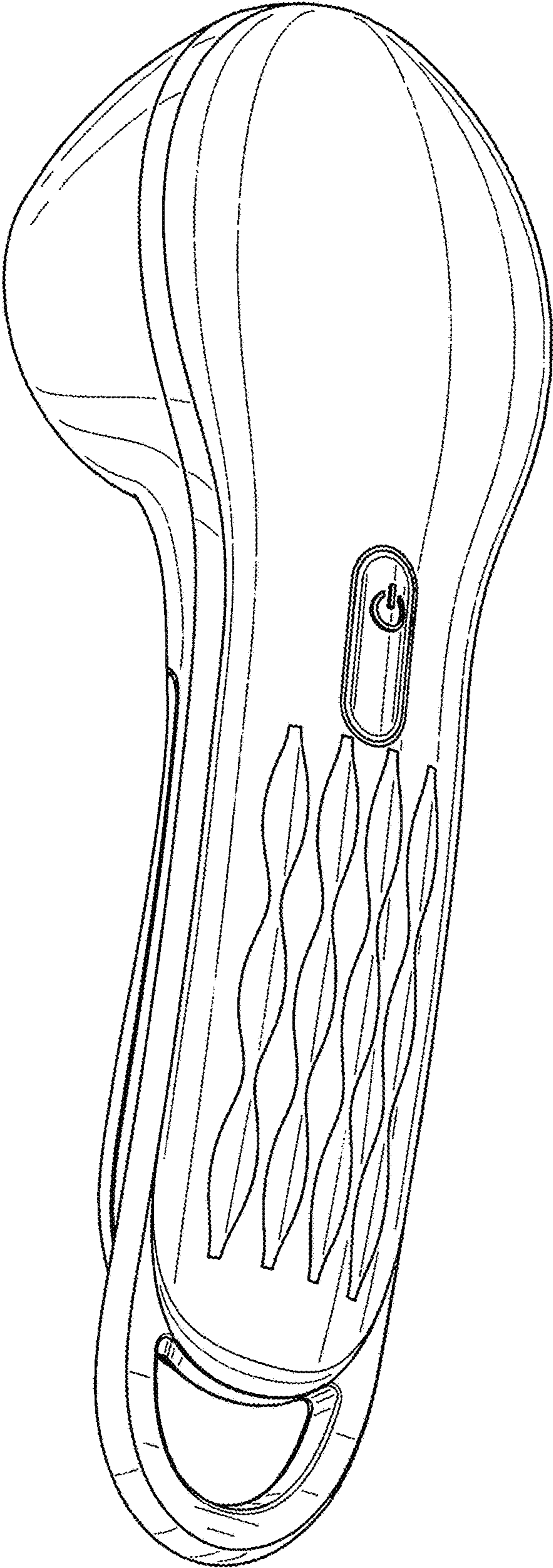


FIG. 1

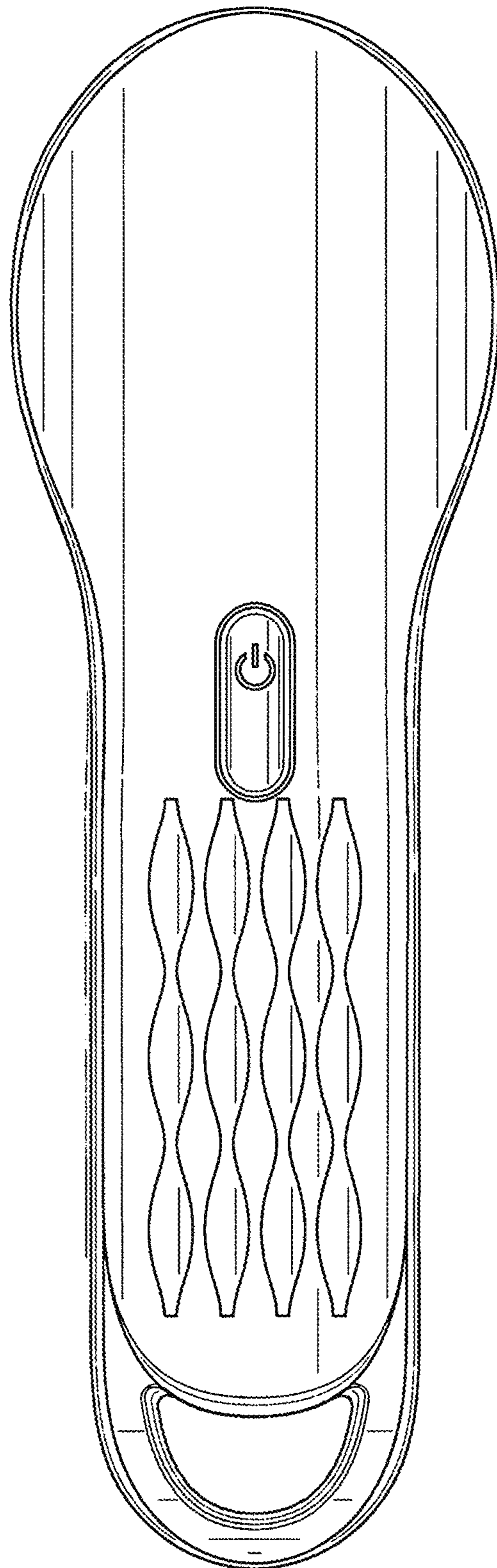


FIG. 2

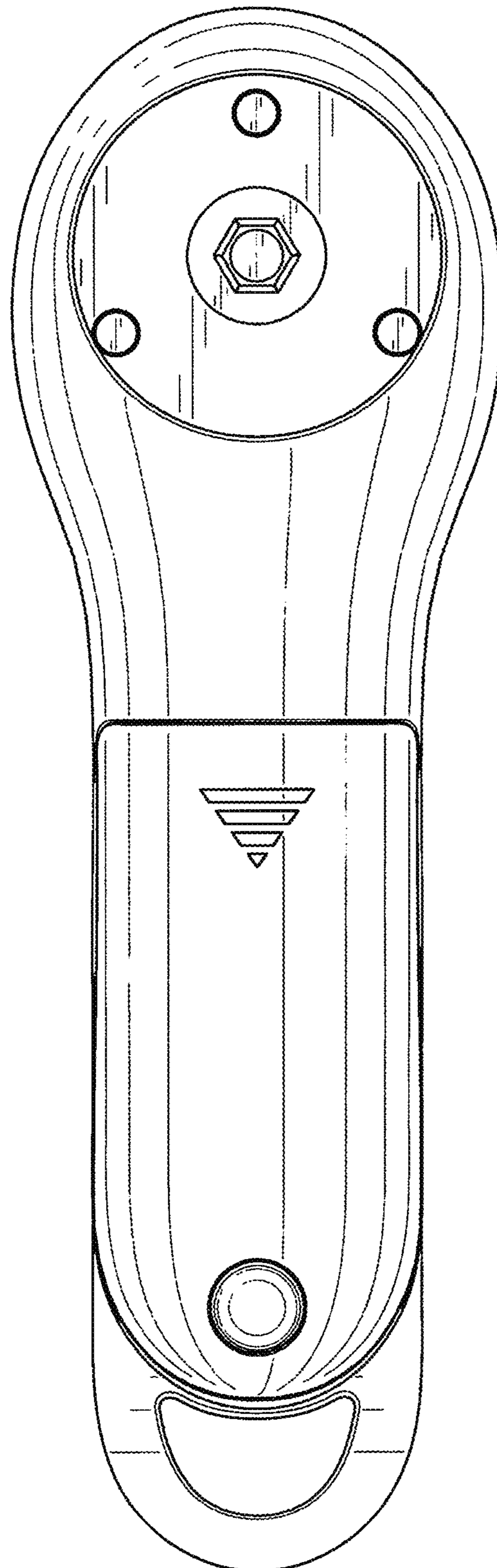


FIG. 3

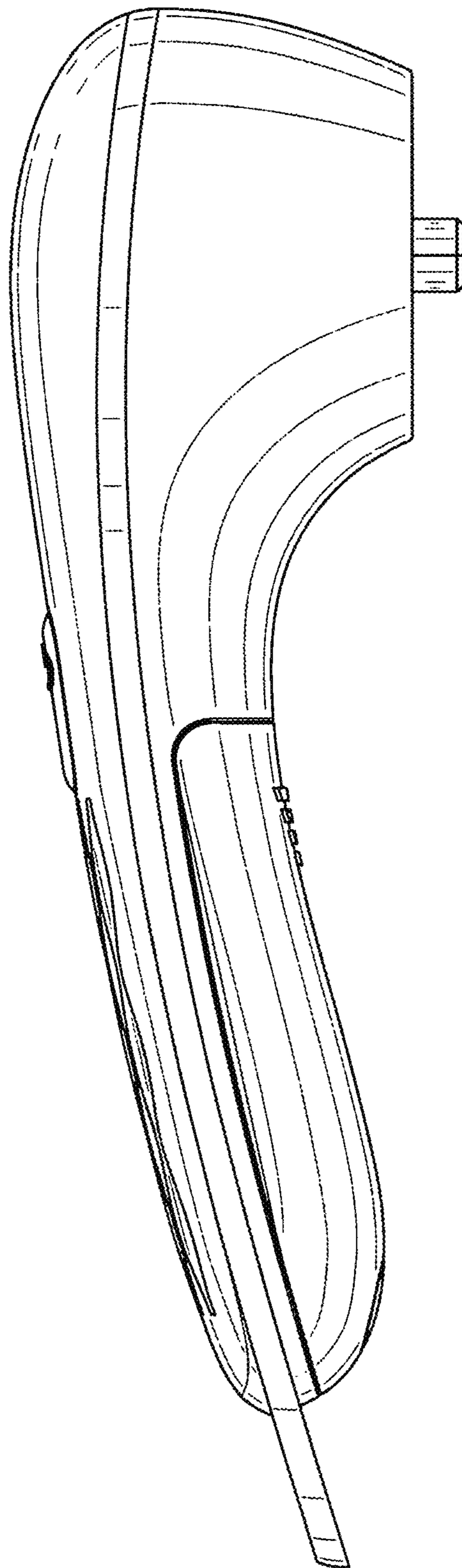


FIG. 4

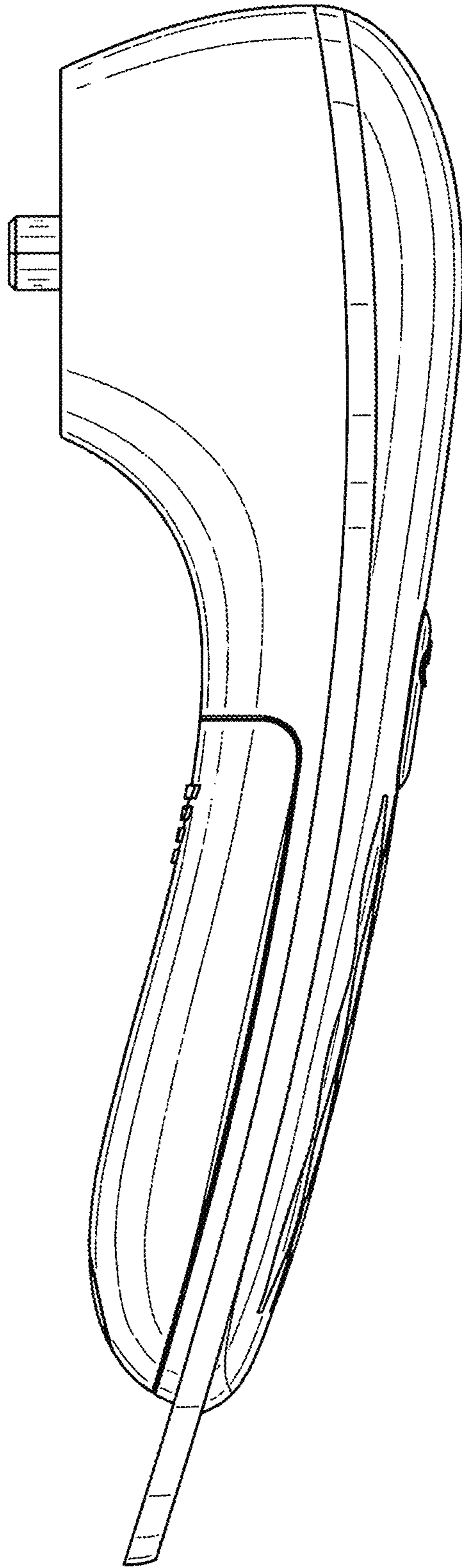


FIG. 5

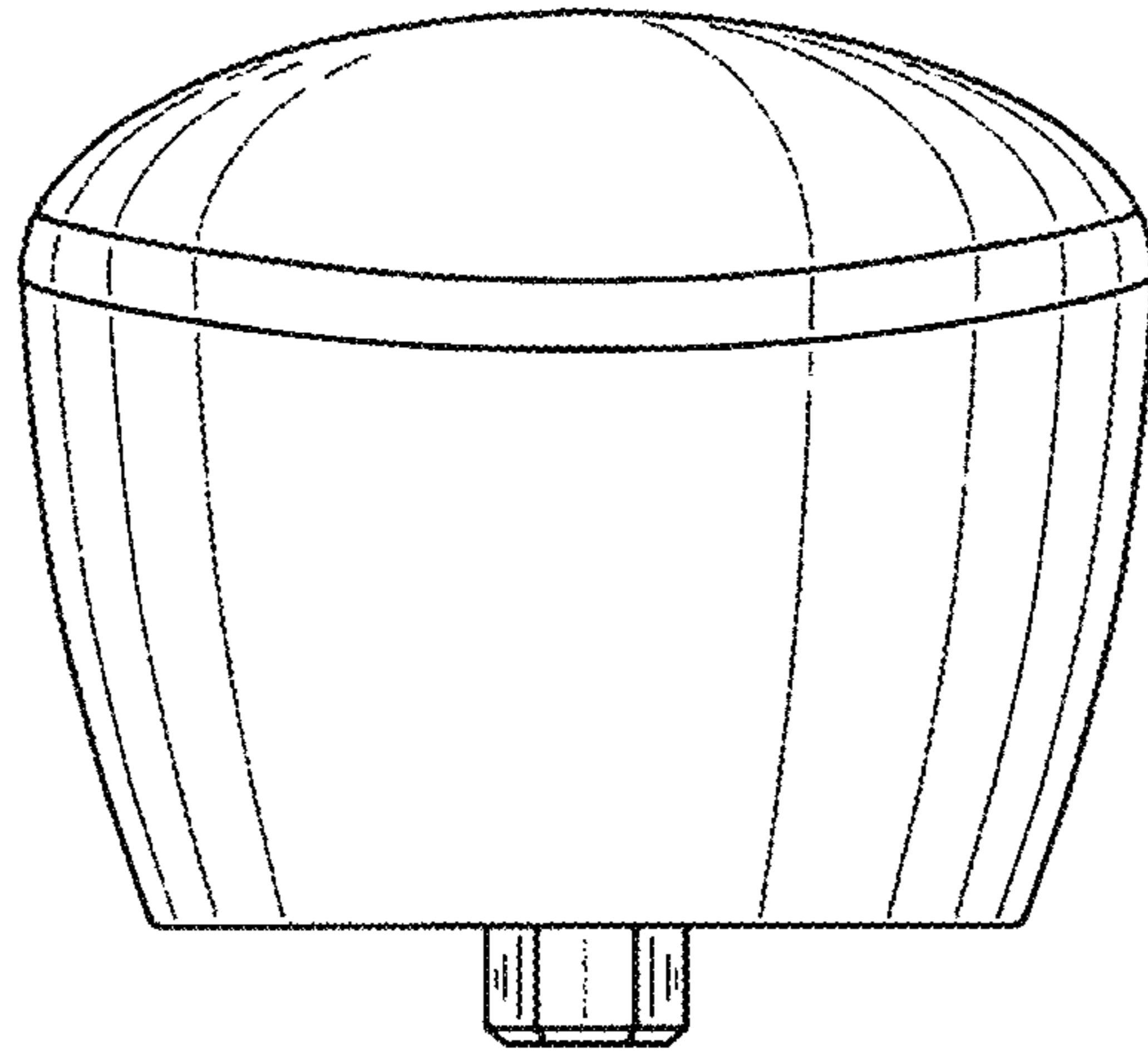


FIG. 6

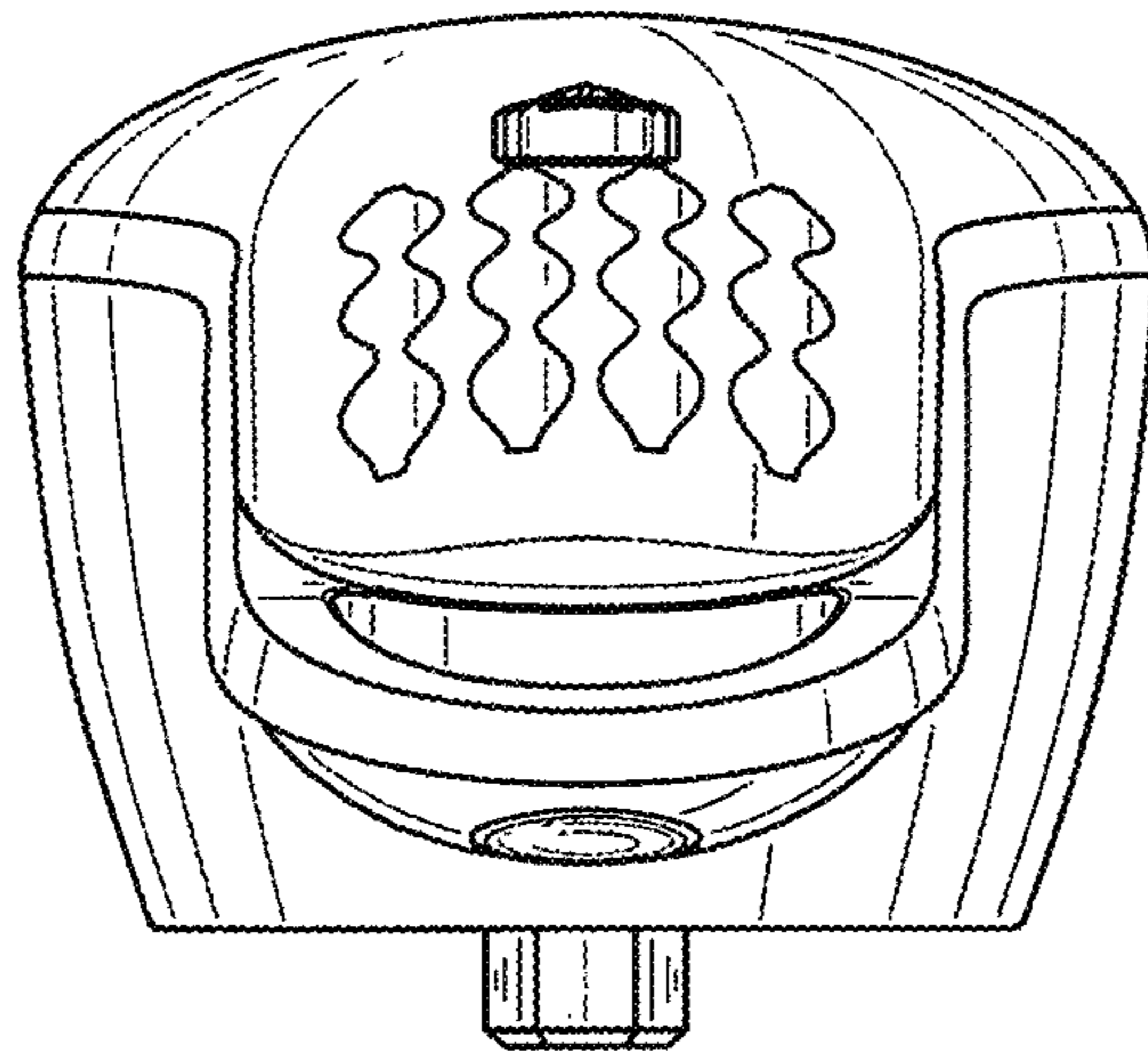


FIG. 7