



US00D805779S

(12) **United States Design Patent**
Oh

(10) **Patent No.:** **US D805,779 S**

(45) **Date of Patent:** **** Dec. 26, 2017**

(54) **HANDLE GRIP FOR LUGGAGE**

(57) **CLAIM**

(71) Applicant: **Scott Oh**, Glendora, CA (US)

The ornamental design for a handle grip for a luggage or a hard case bag, as shown and described.

(72) Inventor: **Scott Oh**, Glendora, CA (US)

(**) Term: **15 Years**

DESCRIPTION

(21) Appl. No.: **29/582,644**

(22) Filed: **Oct. 28, 2016**

(51) **LOC (10) Cl.** **03-01**

(52) **U.S. Cl.**
USPC **D3/318**

(58) **Field of Classification Search**
USPC D3/273, 285, 294, 318
CPC B60N 3/026
See application file for complete search history.

FIG. 1 is a front perspective view of a luggage or hard case bag, having a handle grip wherein the handle grip is on bottom of the luggage or the hard case bag, showing my new design;

FIG. 2 is a front elevation view thereof;

FIG. 3 is a rear elevation view thereof;

FIG. 4 is a left side view thereof;

FIG. 5 is a right side view thereof;

FIG. 6 is a top plan view thereof;

FIG. 7 is a bottom plan view thereof;

FIG. 8 is an exploded view thereof;

FIG. 9 is an enlarged perspective view of the handle grip separately;

FIG. 10 is a front elevation view thereof;

FIG. 11 is a rear elevation view thereof;

FIG. 12 is a left side view thereof;

FIG. 13 is a right side view thereof;

FIG. 14 is a top plan view thereof; and,

FIG. 15 is a bottom plan view thereof.

The broken lines showing luggage are for the purposes of illustrating environment and form no part of the claimed design.

(56) **References Cited**

U.S. PATENT DOCUMENTS

D441,636 S *	5/2001	Wang	D3/318
D447,929 S *	9/2001	Chang	D3/318
D491,367 S *	6/2004	Moon	D3/318
D771,948 S *	11/2016	Bhatnagar	D3/318
9,616,792 B2 *	4/2017	Claire	B60N 3/02

* cited by examiner

Primary Examiner — Holly H Baynham

(74) *Attorney, Agent, or Firm* — Lucem, PC; Heedong Chae

1 Claim, 15 Drawing Sheets

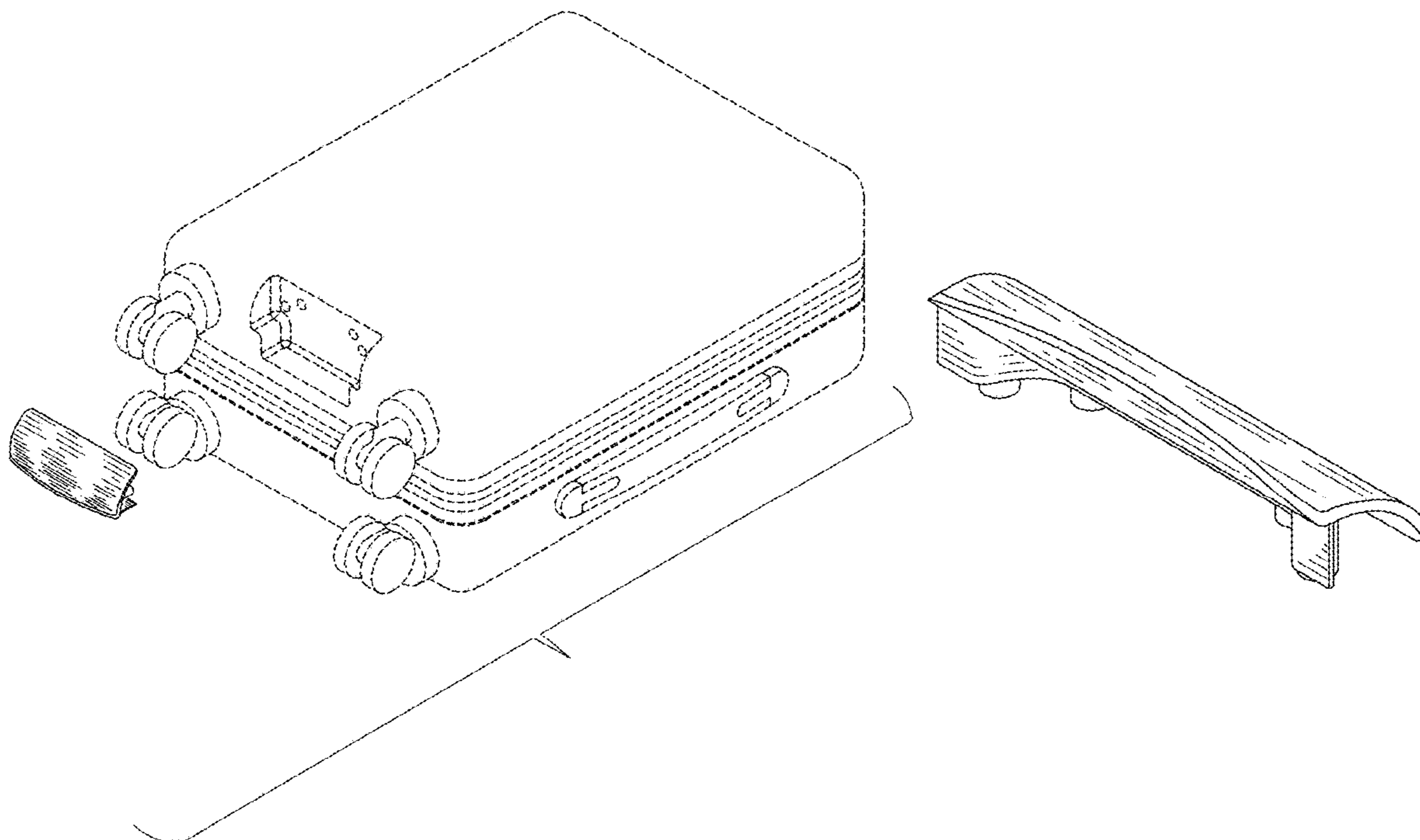


FIG. 1

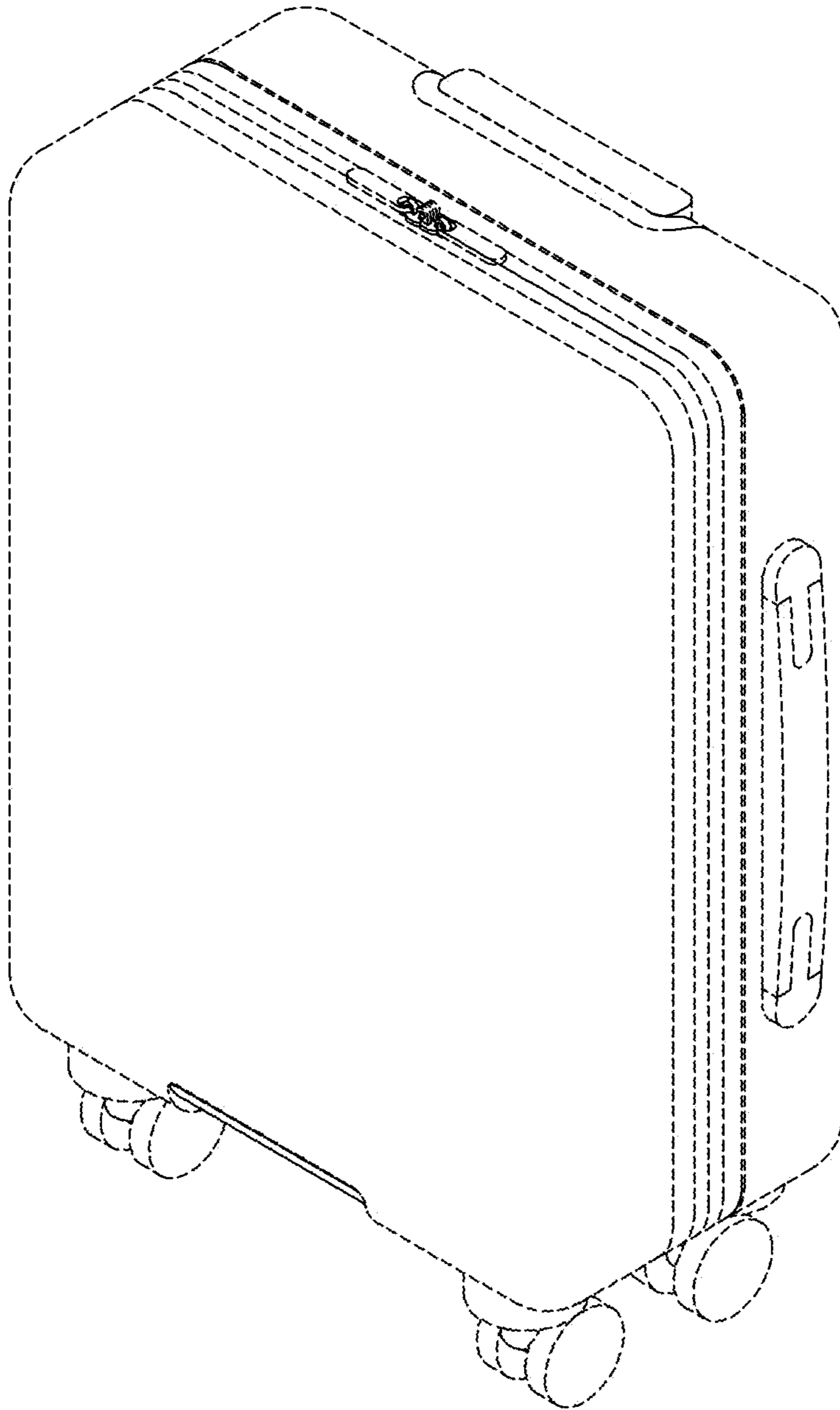


FIG. 2

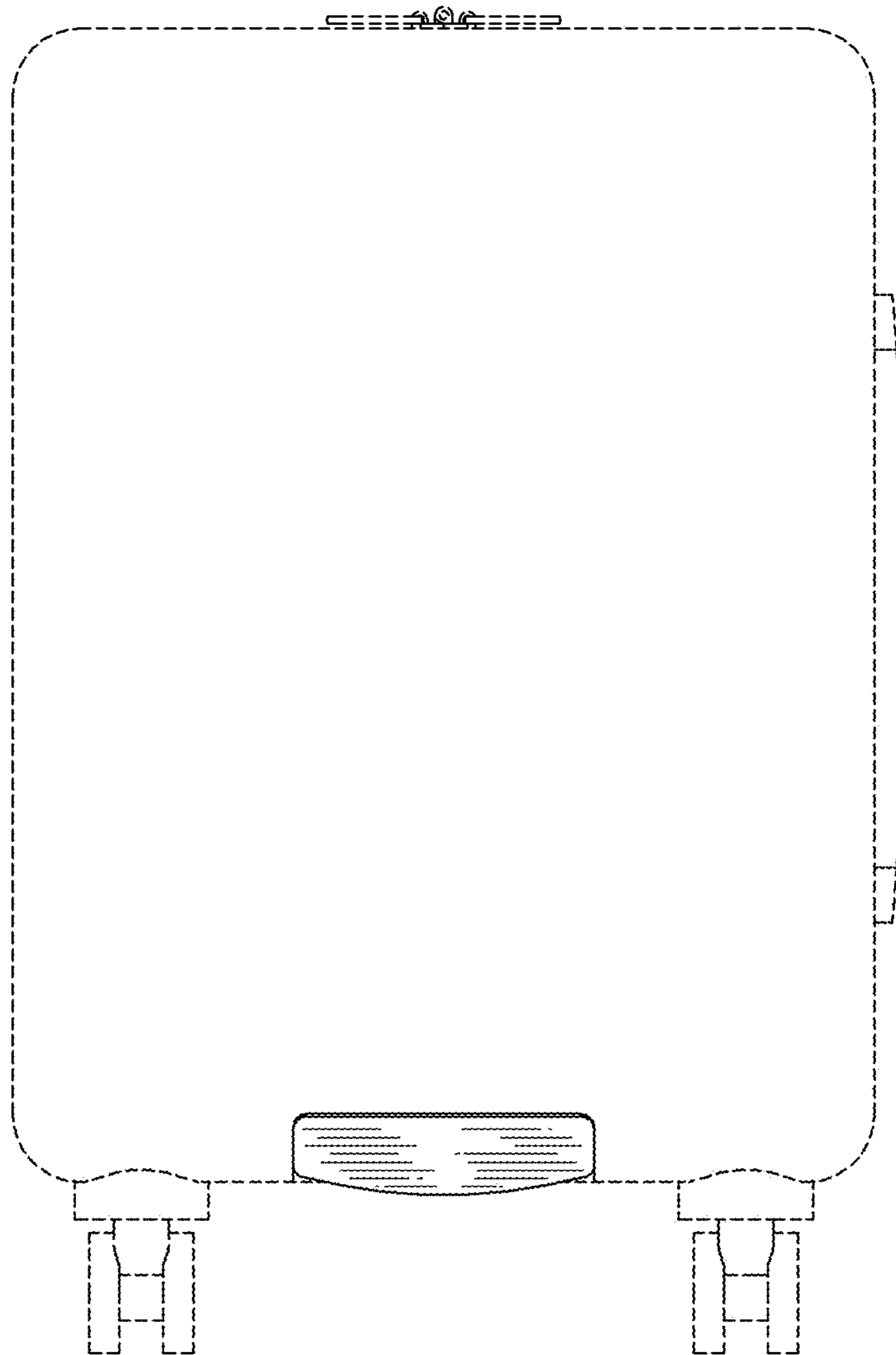


FIG. 3

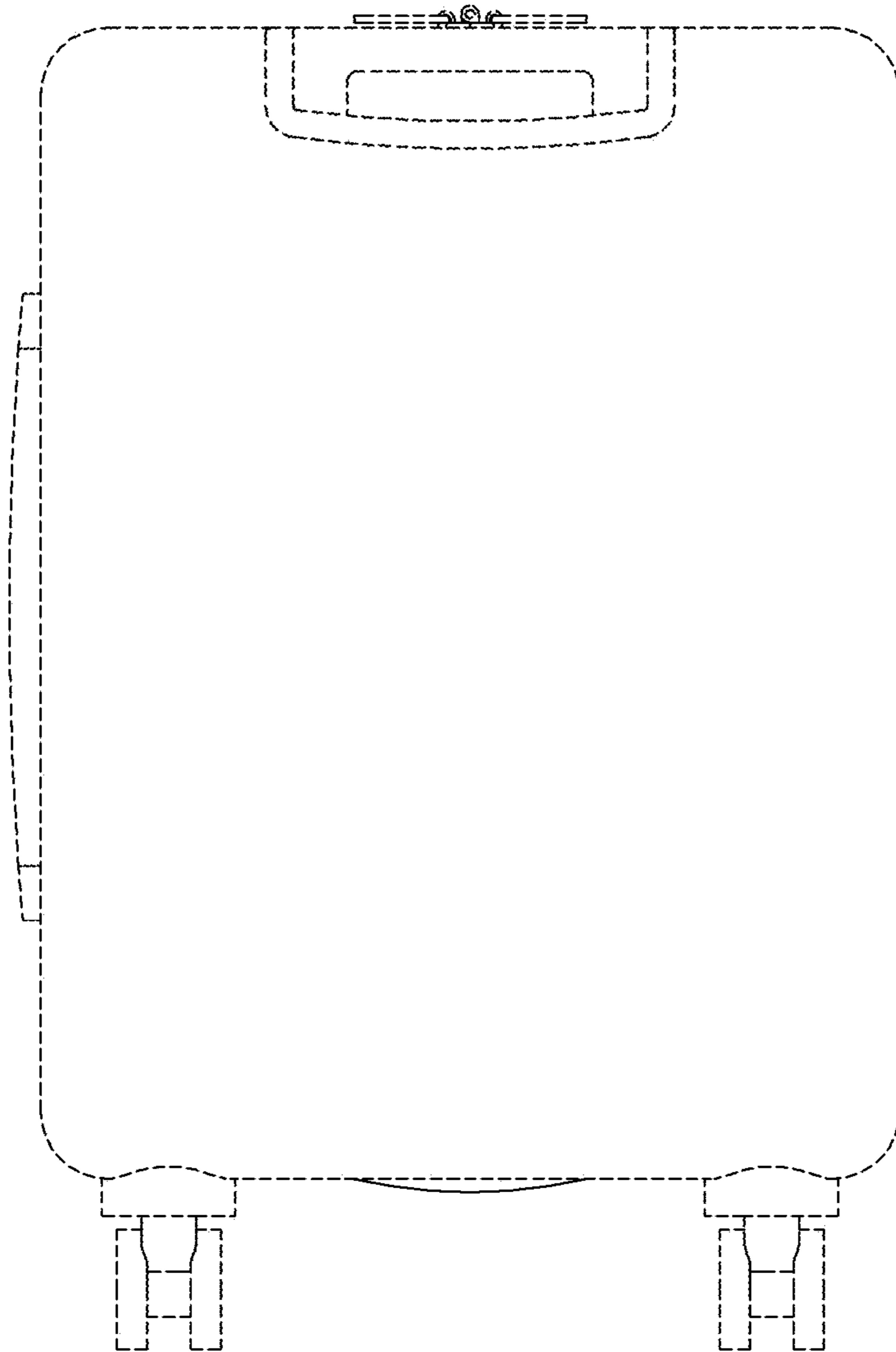


FIG. 4

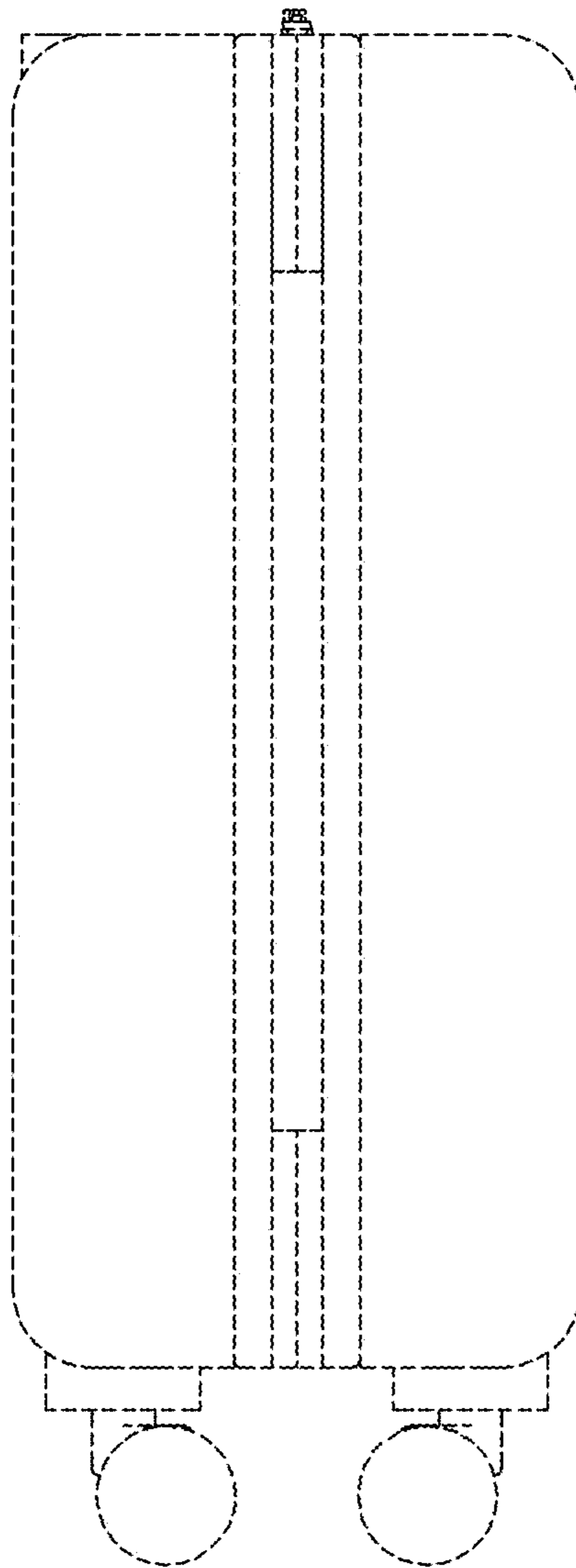


FIG. 5

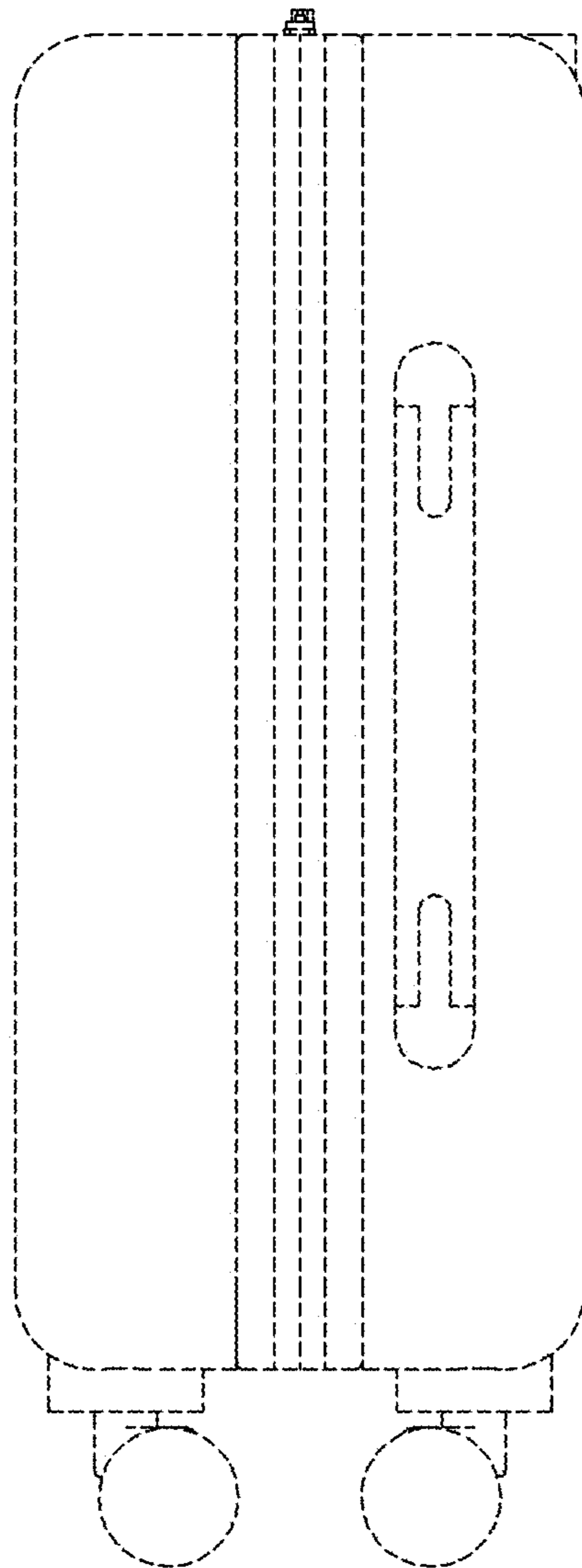


FIG. 6

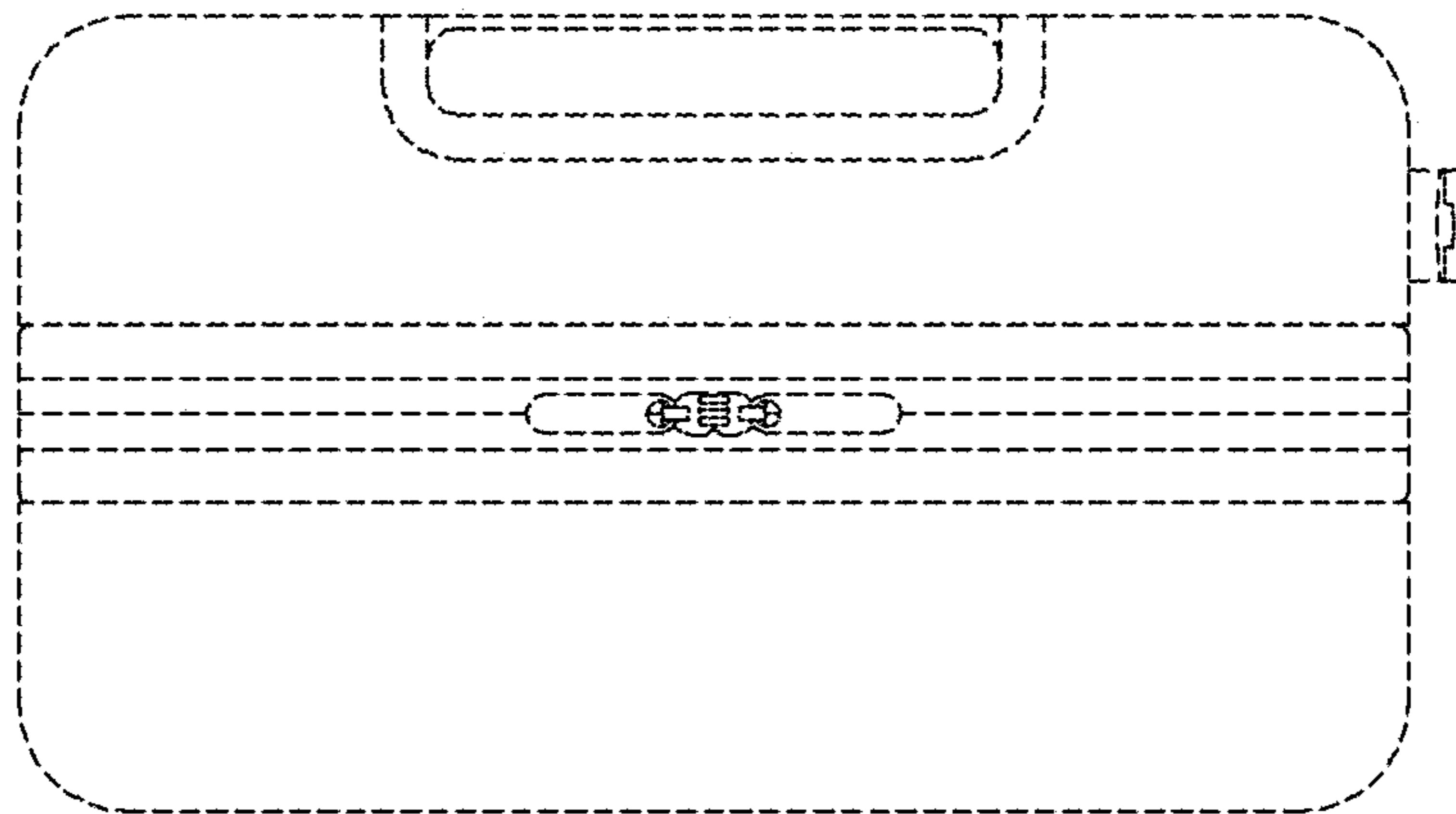


FIG. 7

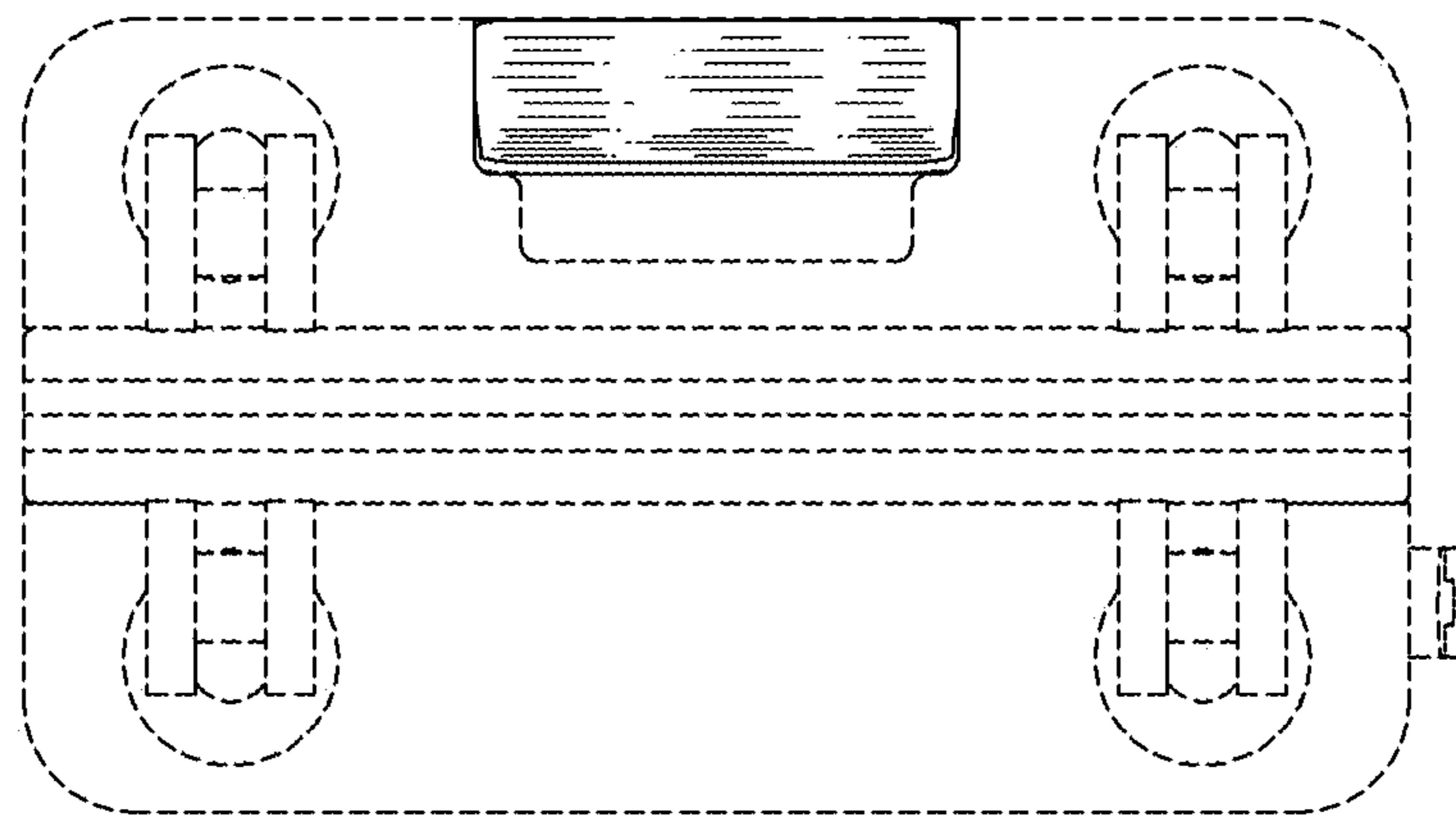


FIG. 8

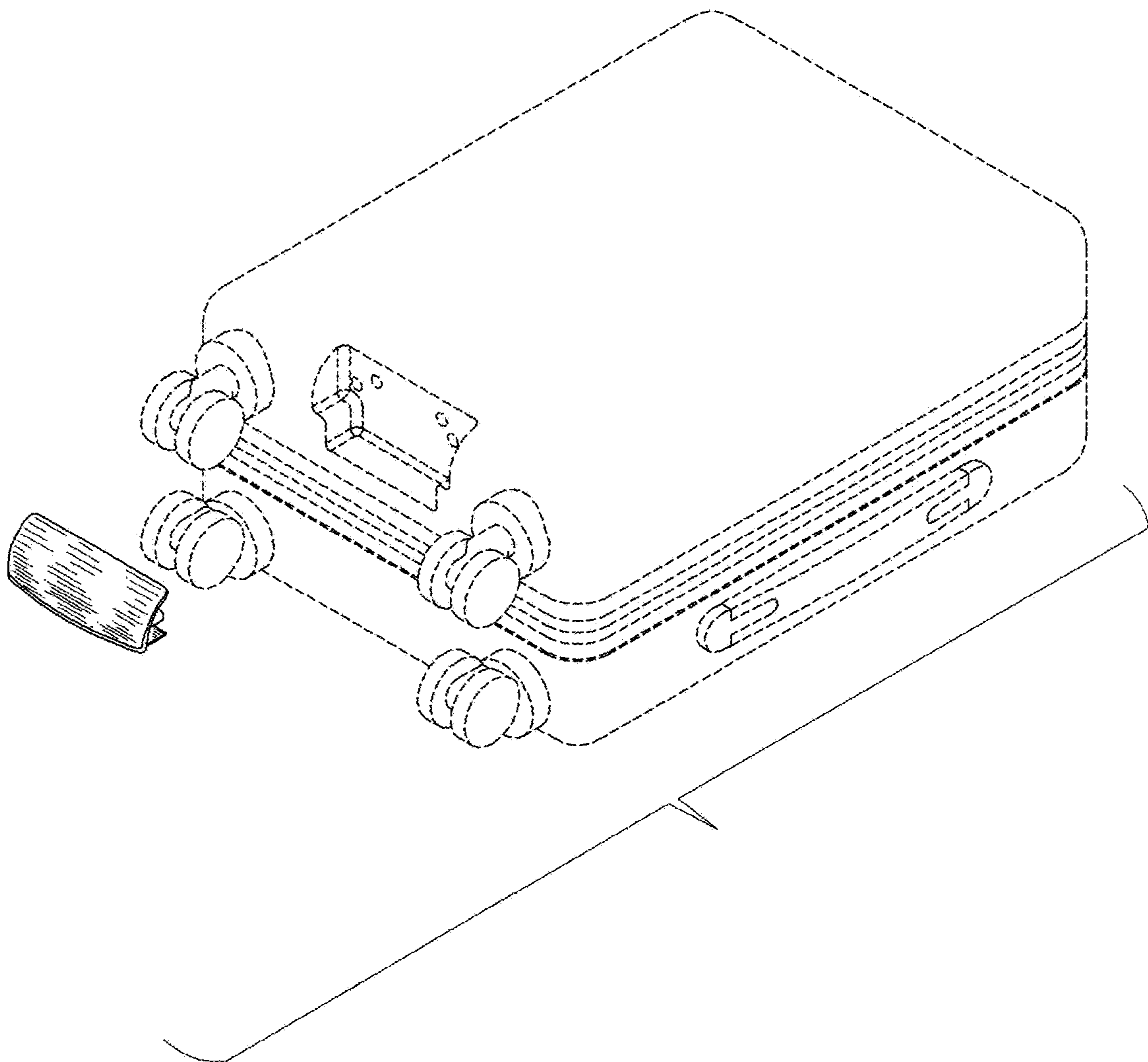


FIG. 9

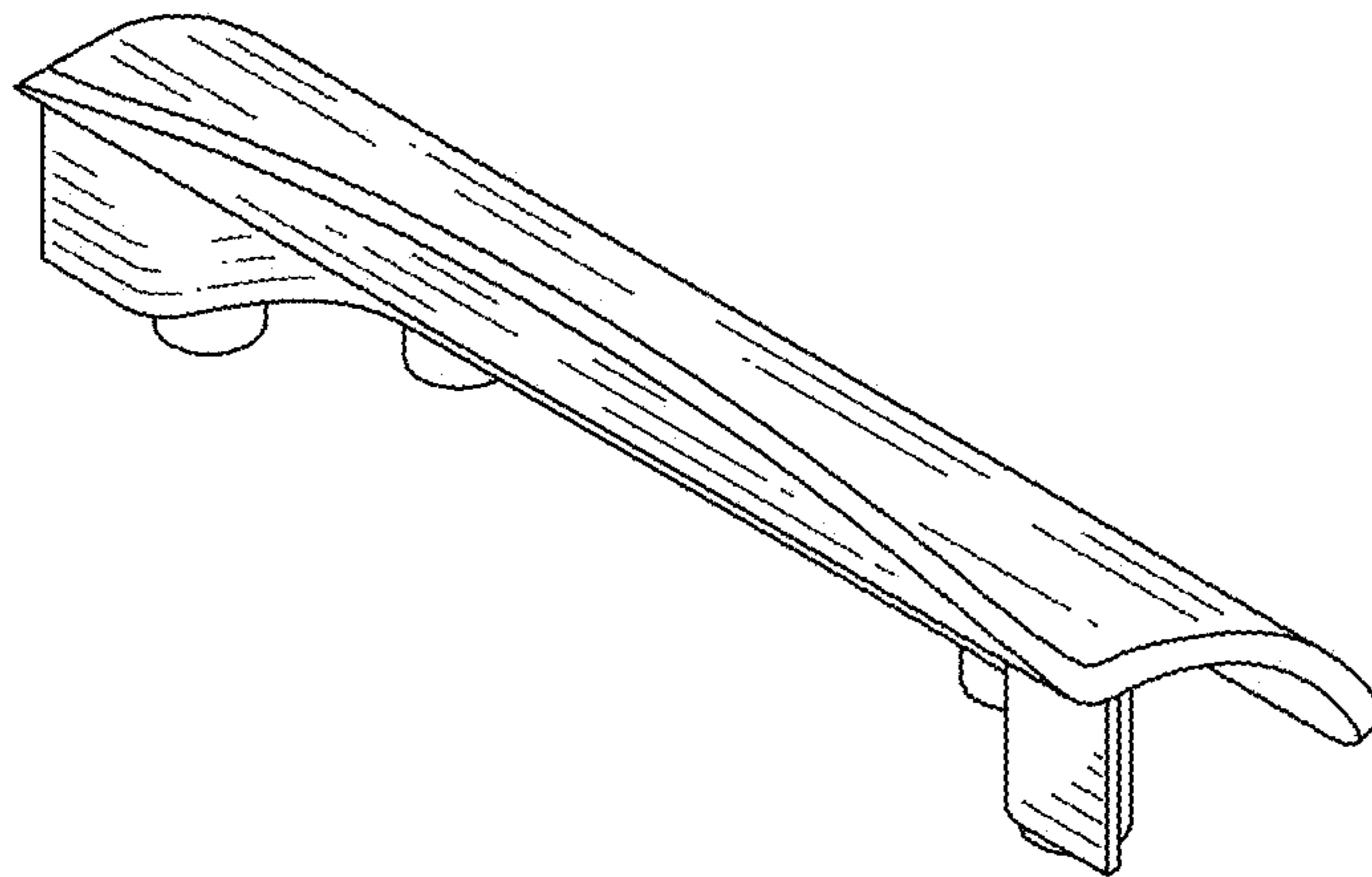


FIG. 10

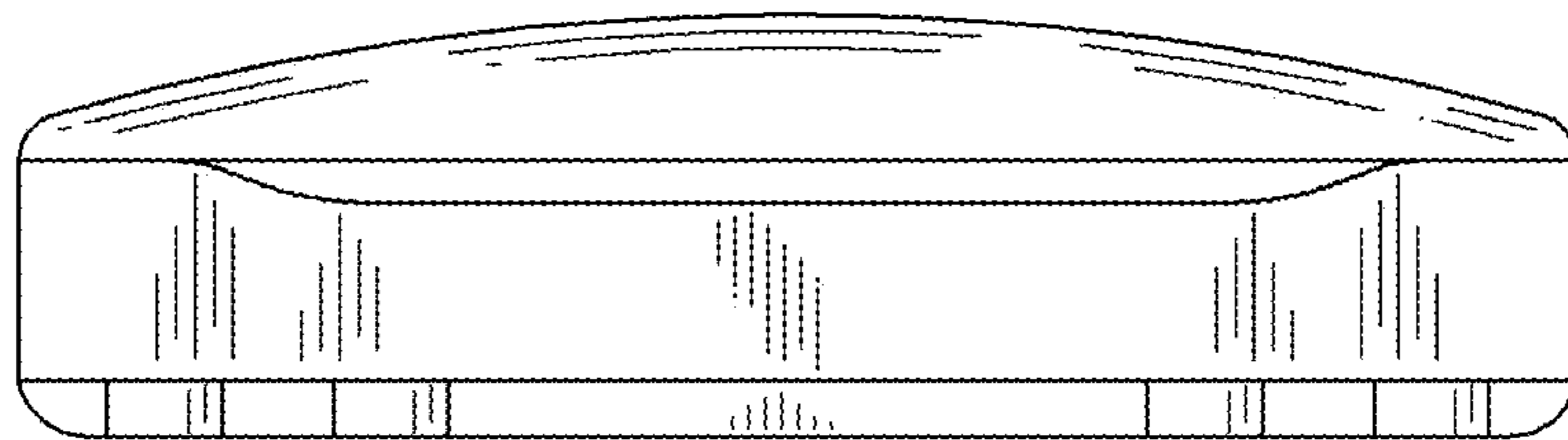


FIG. 11

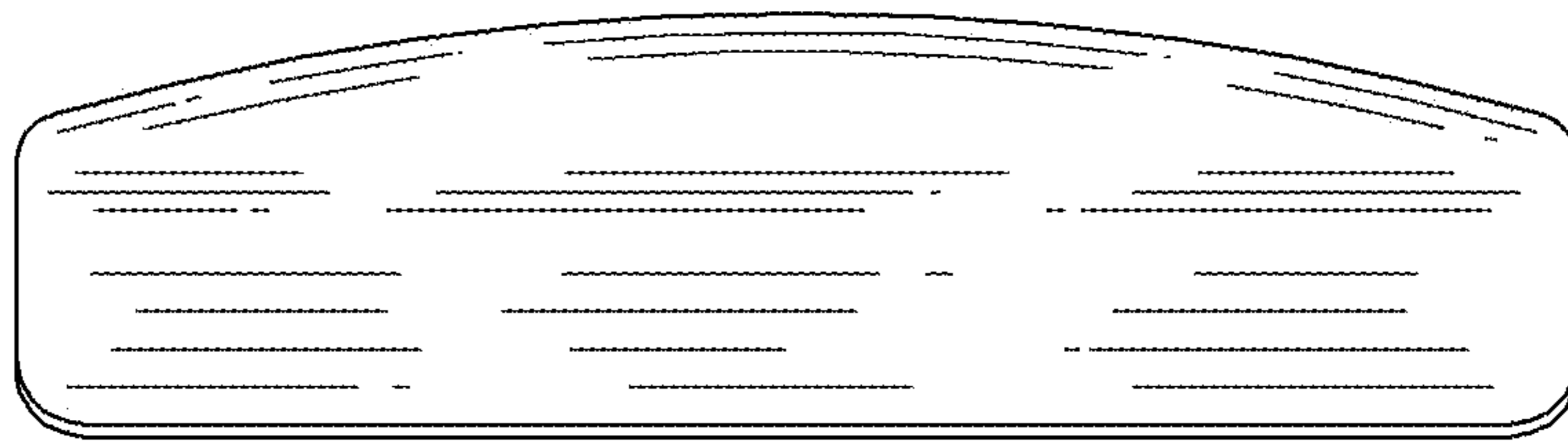


FIG. 12

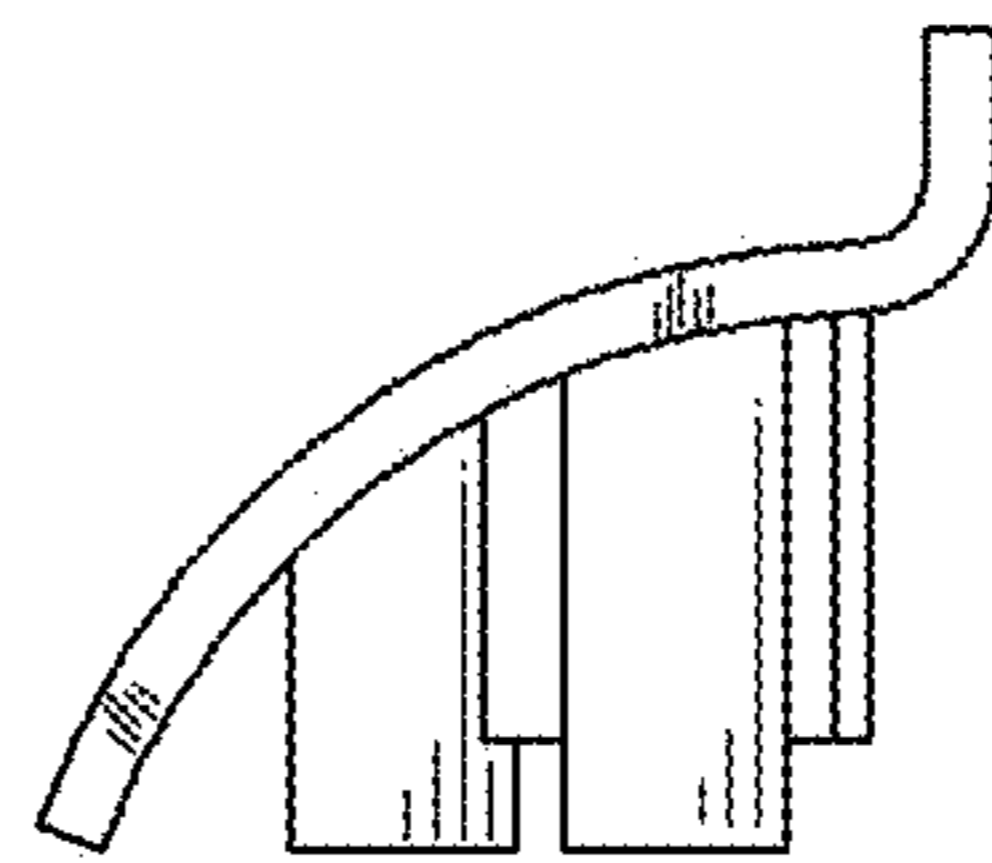


FIG. 13

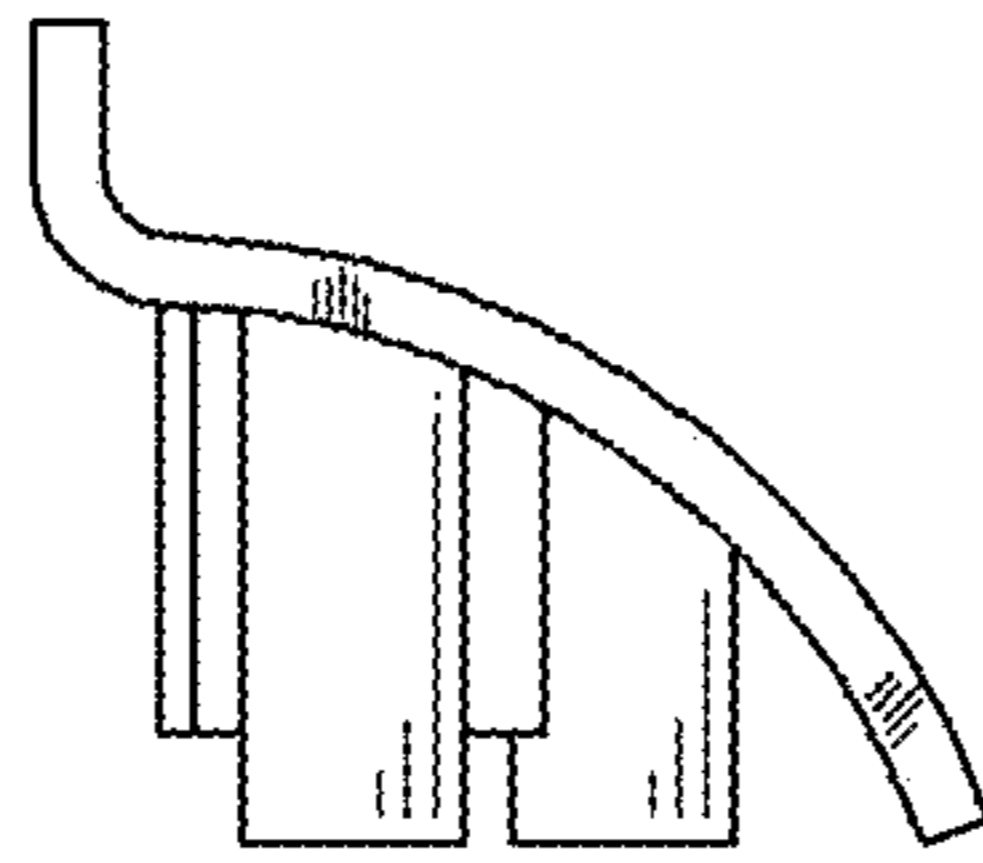


FIG. 14



FIG. 15

