



US00D805777S

(12) **United States Design Patent**
Wei et al.

(10) **Patent No.:** **US D805,777 S**
(45) **Date of Patent:** **** Dec. 26, 2017**

(54) **COLLAPSIBLE CONTAINER**

DESCRIPTION

(71) Applicant: **SHANTOU YUANTU PLASTIC INDUSTRIAL CO., LTD.**, Guangdong Province (CN)

(72) Inventors: **Weisheng Wei**, Guangdong Province (CN); **Jianxin Wu**, Guangdong Province (CN)

(**) Term: **15 Years**

(21) Appl. No.: **29/534,952**

(22) Filed: **Aug. 3, 2015**

(51) **LOC (10) Cl.** **03-01**

(52) **U.S. Cl.**
USPC **D3/305**

(58) **Field of Classification Search**
USPC D3/272, 276, 304, 305, 307, 308, 309, D3/314–315; D6/663–664, 705, 705.2
CPC B65D 1/225; B65D 1/24; B65D 1/243; A47B 2088/0011; A47B 88/0018
See application file for complete search history.

(56) **References Cited**

U.S. PATENT DOCUMENTS

3,985,258 A * 10/1976 Quigley B65D 11/1873
217/43 A
D302,897 S * 8/1989 Shchamorov D3/312
D370,344 S * 6/1996 Kim D3/305
D398,448 S * 9/1998 Zanni D3/312

(Continued)

Primary Examiner — Kelley Donnelly

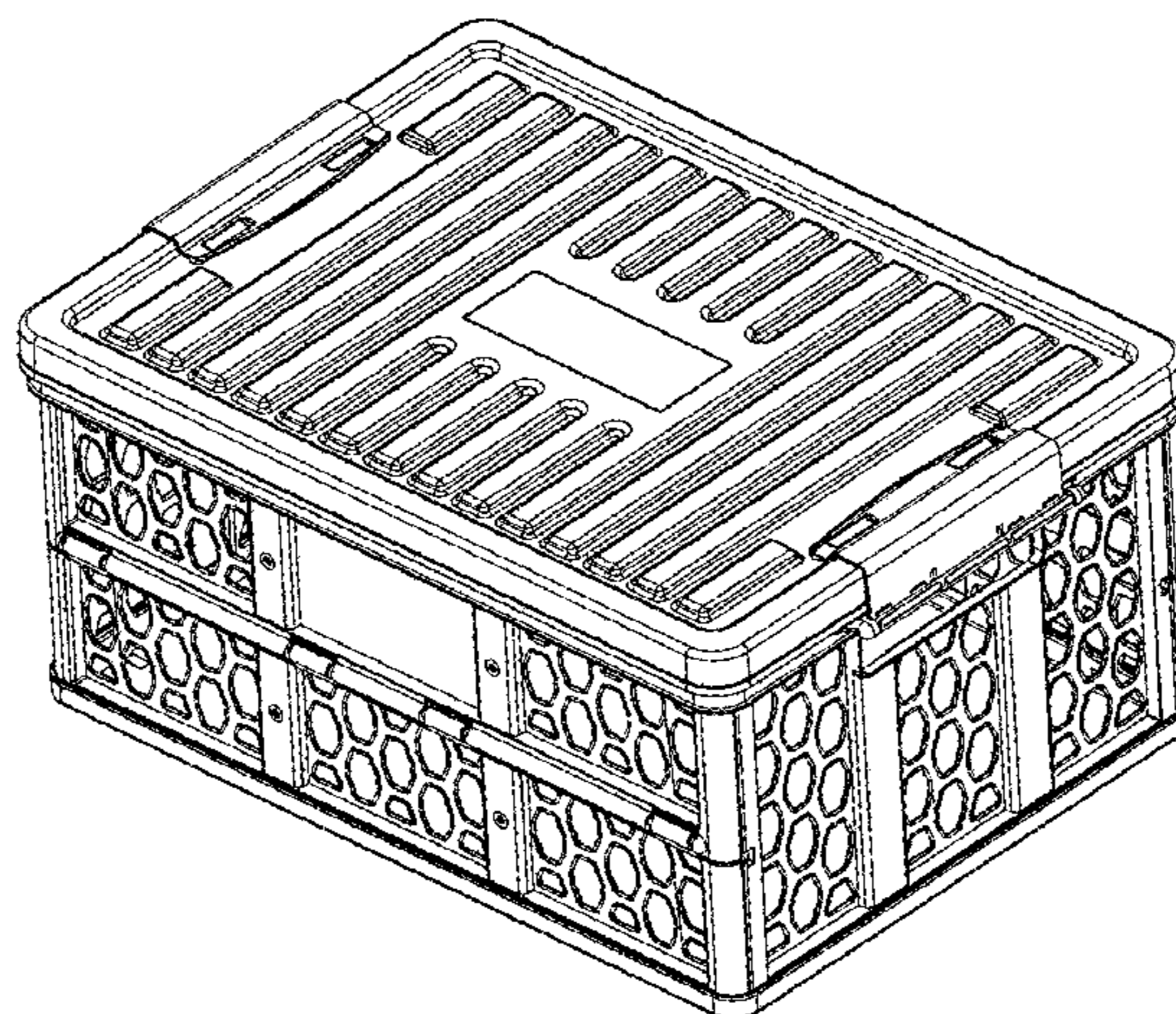
(74) *Attorney, Agent, or Firm* — Prakash Nama; Global IP Services, PLLC

(57) **CLAIM**

The ornamental design for a collapsible container, as shown and described.

FIG. 1 is a perspective view of a collapsible container showing my new design;
FIG. 2 is a perspective view of the collapsible container in a totally collapsed condition in which the four side panels are folded and encapsulated in between the top cover and the bottom panel;
FIG. 3 is a front elevational view of the collapsible container without the top cover;
FIG. 4 is a rear elevational view of the collapsible container without the top cover;
FIG. 5 is a left side view of the collapsible container without the top cover;
FIG. 6 is a right side view of the collapsible container without the top cover;
FIG. 7 is a top plan view of the collapsible container without the top cover;
FIG. 8 is a bottom plan view of the collapsible container without the top cover;
FIG. 9 is a perspective view of the collapsible container without the top cover;
FIG. 10 is a perspective view shown in FIG. 9 with the left side panel in a folded condition;
FIG. 11 is another perspective view shown in FIG. 9 with all the four side panels in a folded condition;
FIG. 12 is a perspective view shown in FIG. 11 with only the back panel being unfolded while the front, left and right panels are still in a folded condition, and with the clasps holding the left and right side panels as shown in FIG. 11 being removed;
FIG. 13 is another perspective view of FIG. 12 with the unfolded back panel placed at the bottom and the bottom panel facing to the front;
FIG. 14 is a front elevational view of the top cover;
FIG. 15 is a rear elevational view of the top cover;
FIG. 16 is a left side view of the top cover, the right side being a mirror image;
FIG. 17 is a bottom plan view of the top cover; the top plan view being a mirror image; and,
FIG. 18 is a perspective view of the top cover.

1 Claim, 13 Drawing Sheets



(56)

References Cited

U.S. PATENT DOCUMENTS

D600,018	S *	9/2009	Cope	D3/305
D653,451	S *	2/2012	Elvin-Jensen	D3/304
D672,961	S *	12/2012	Turner	D3/304
D739,691	S *	9/2015	de Groote	D7/698
9,371,154	B2 *	6/2016	Samprathi	B65D 11/1833
2006/0011627	A1 *	1/2006	Overholt	B65D 11/1833 220/7
2007/0199934	A1 *	8/2007	Warwick	B65D 1/225 220/7
2007/0210083	A1 *	9/2007	Li	B65D 11/1833 220/6

* cited by examiner

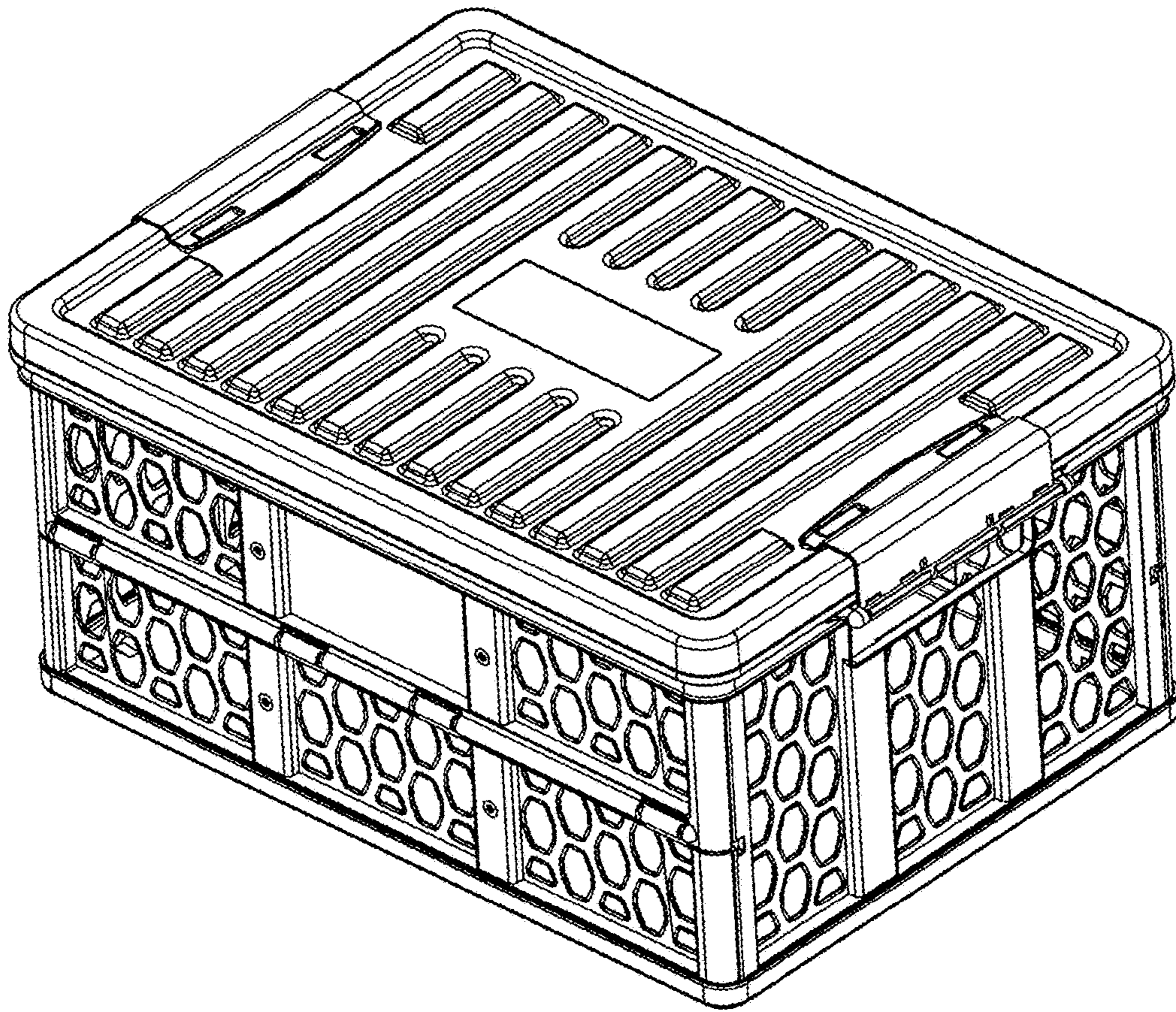


FIG. 1

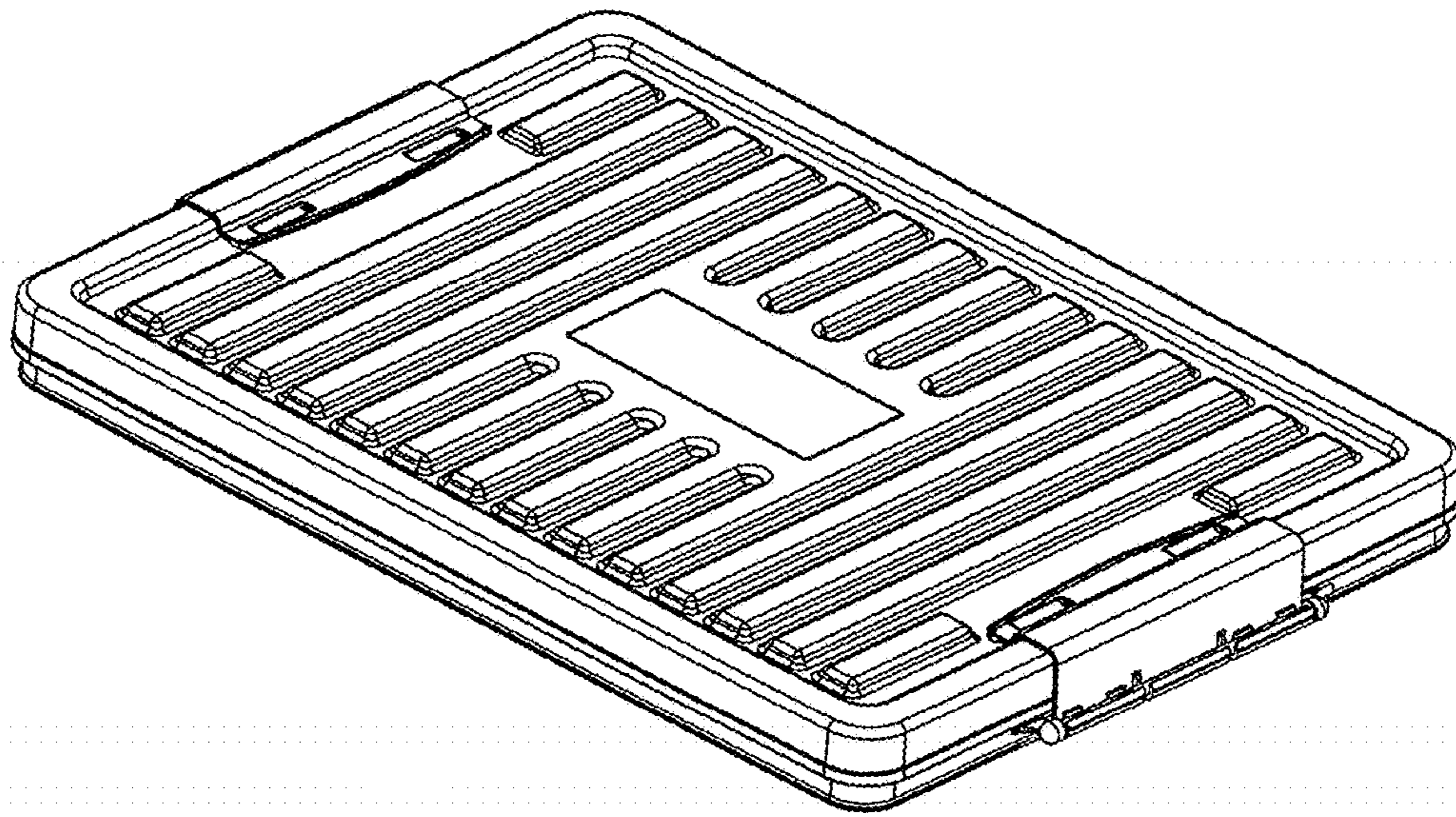


FIG. 2

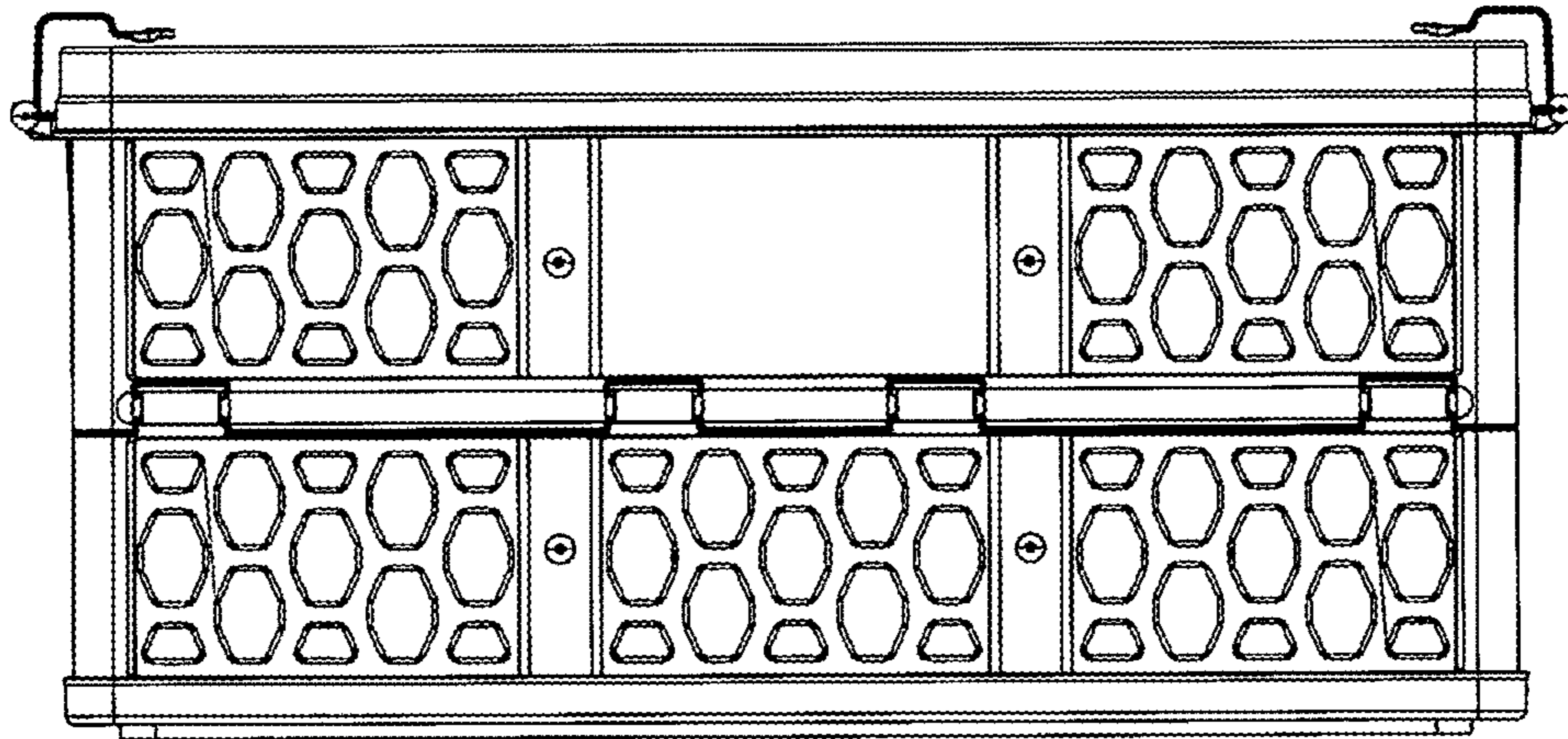


FIG. 3

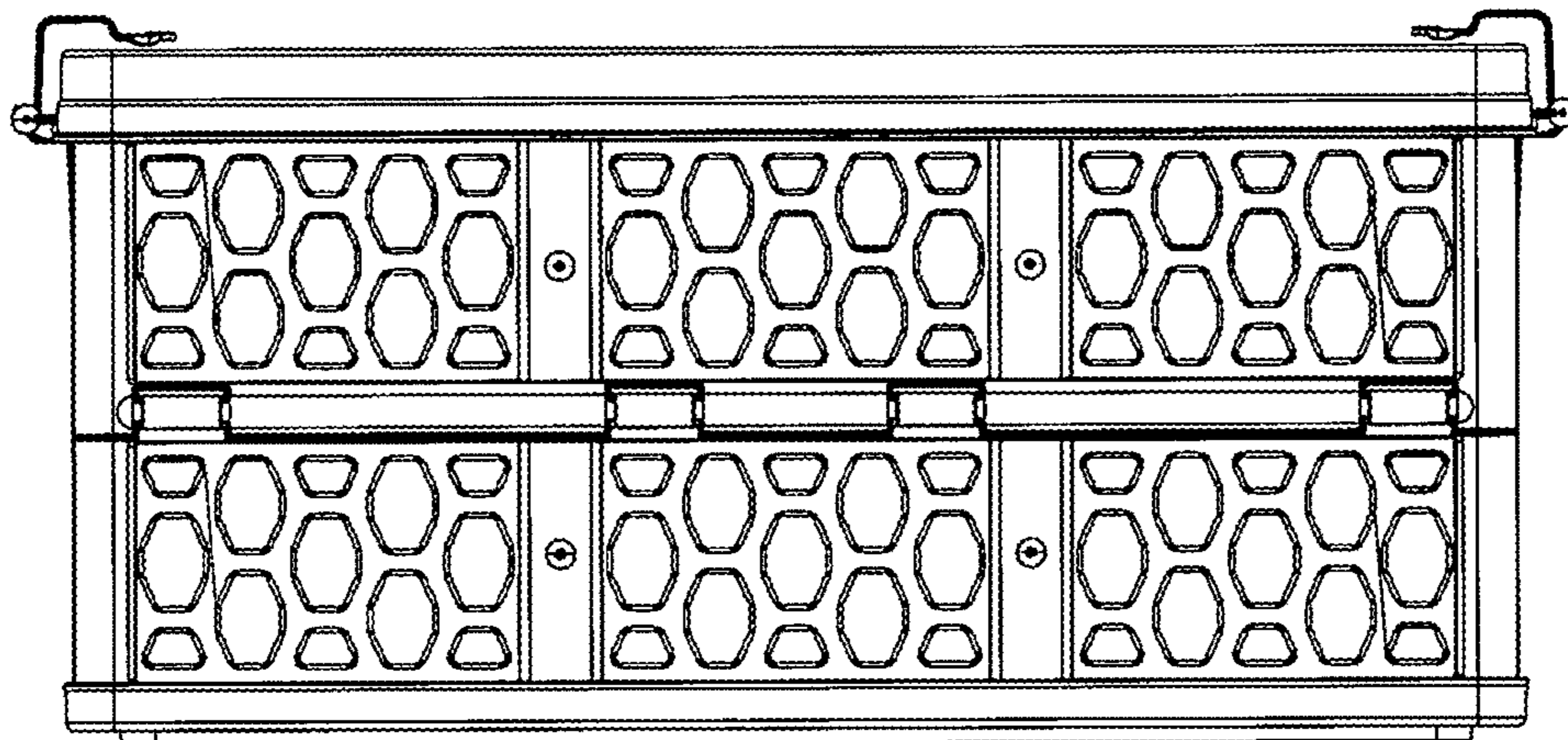


FIG. 4

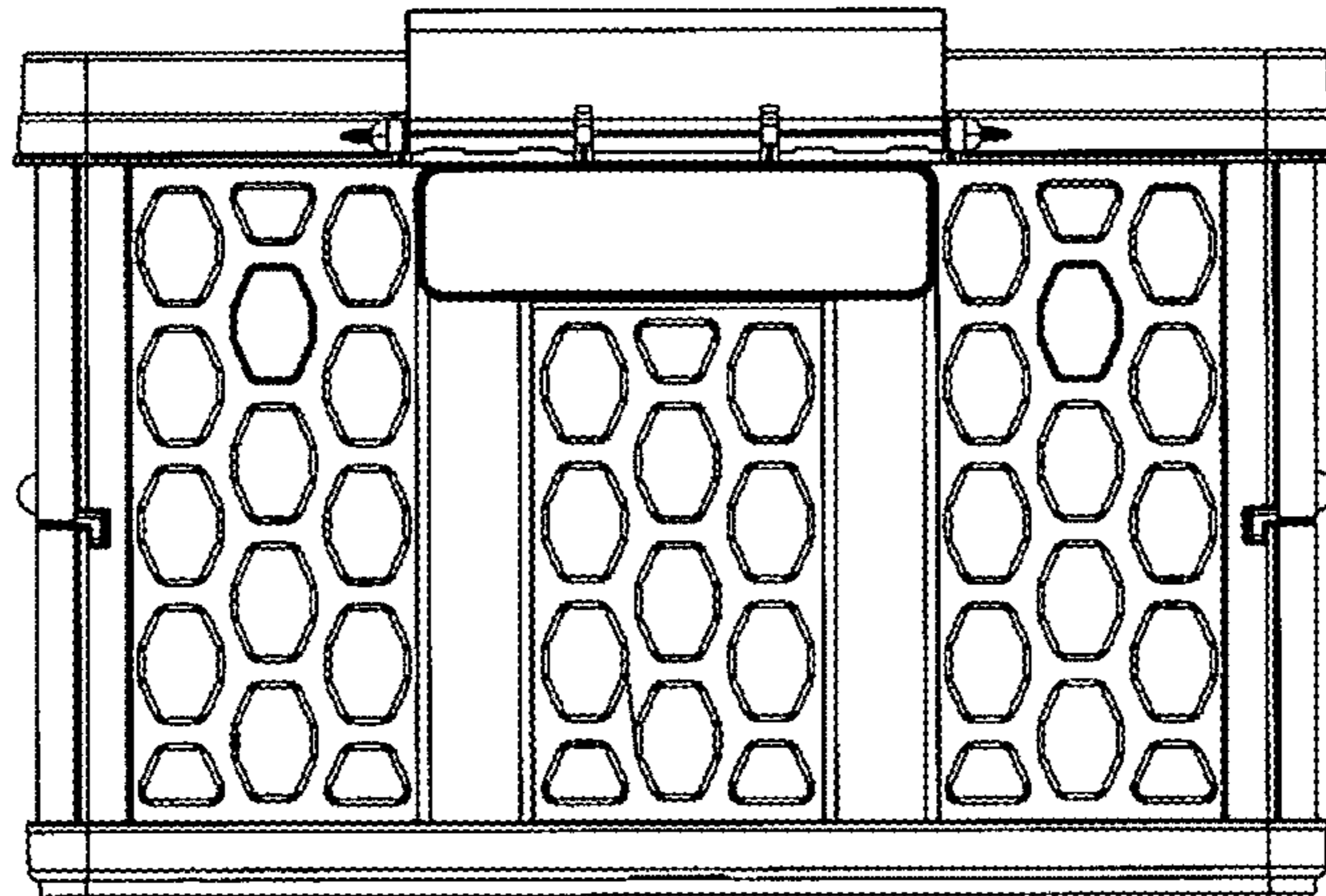


FIG. 5

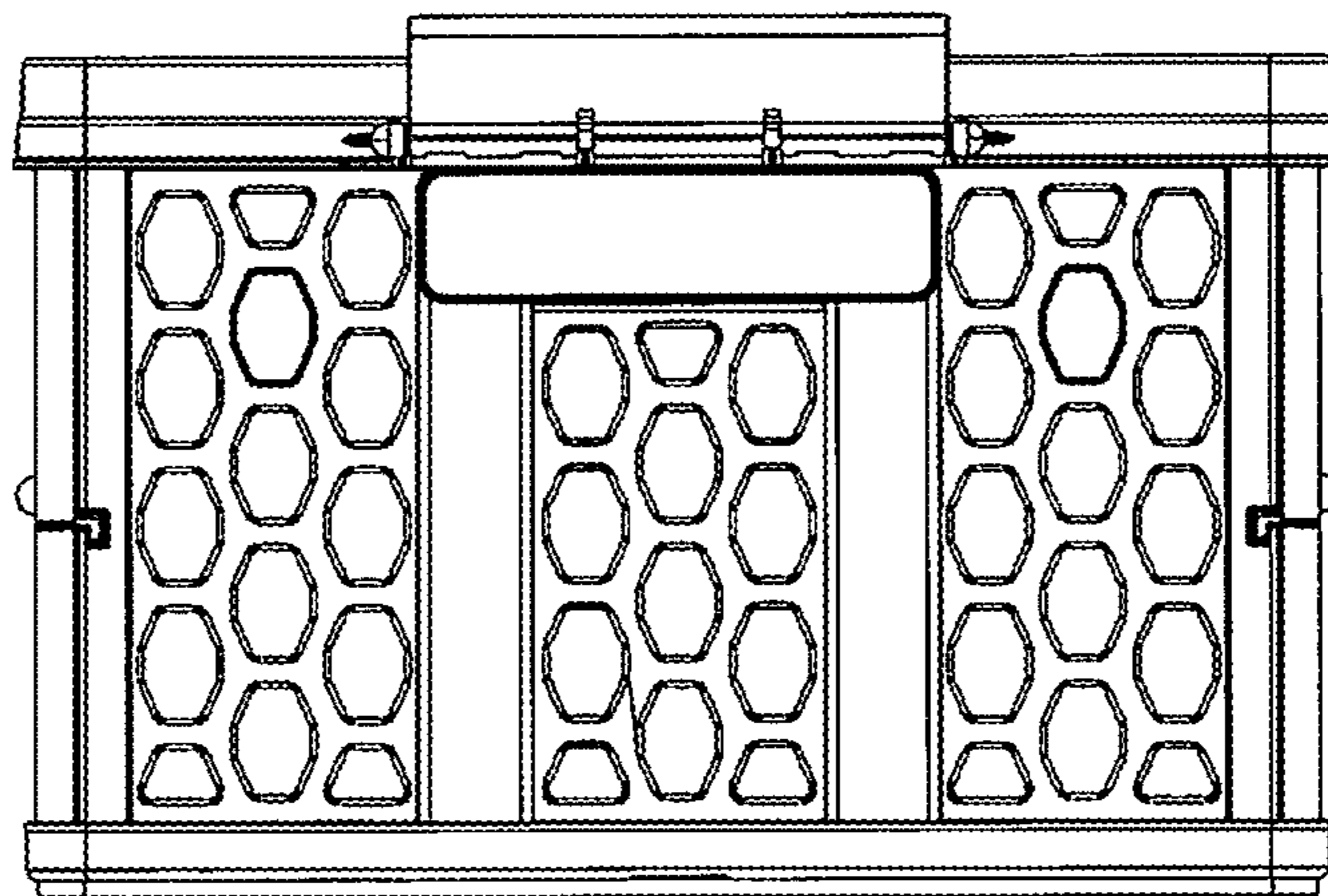


FIG. 6

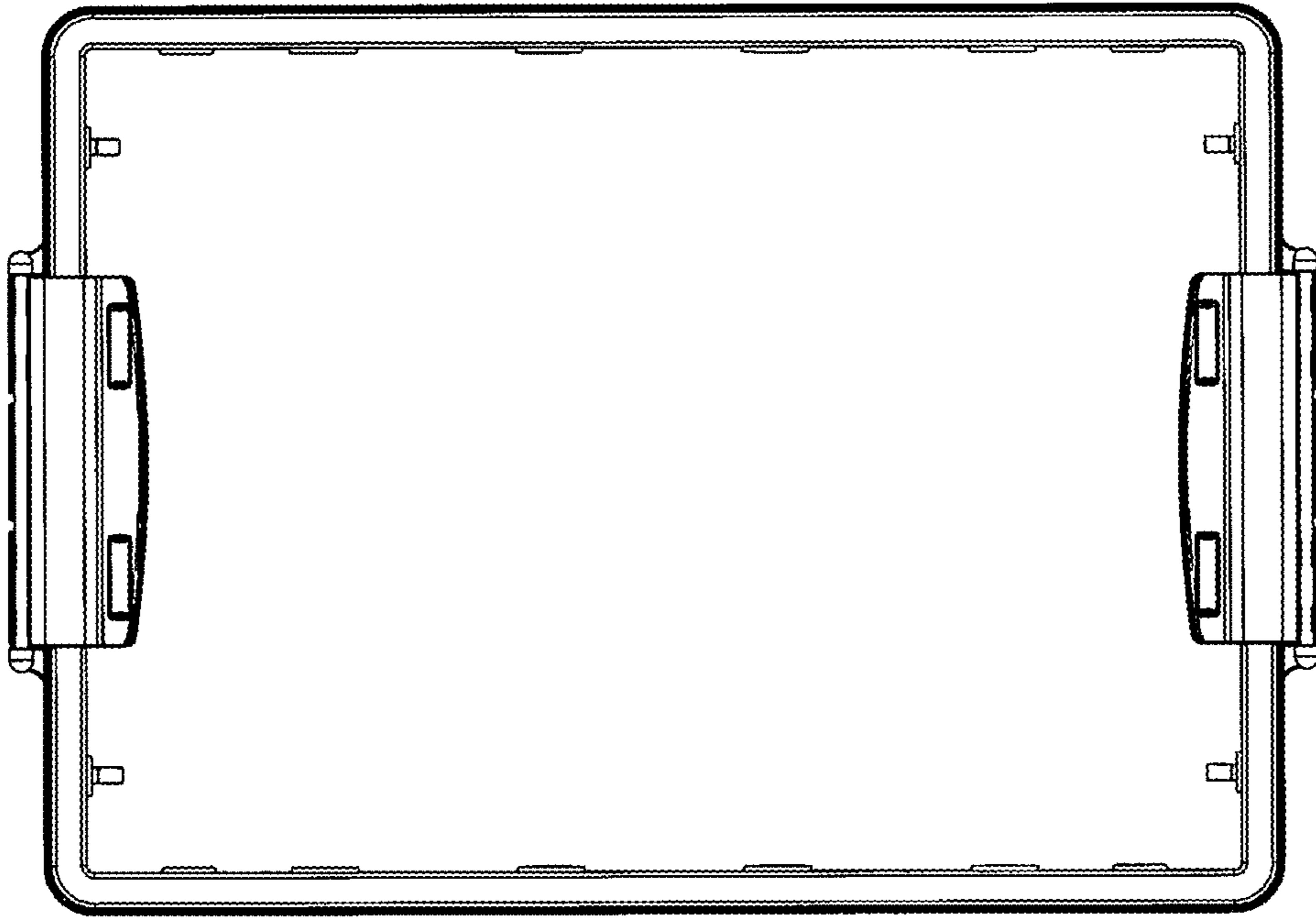


FIG. 7

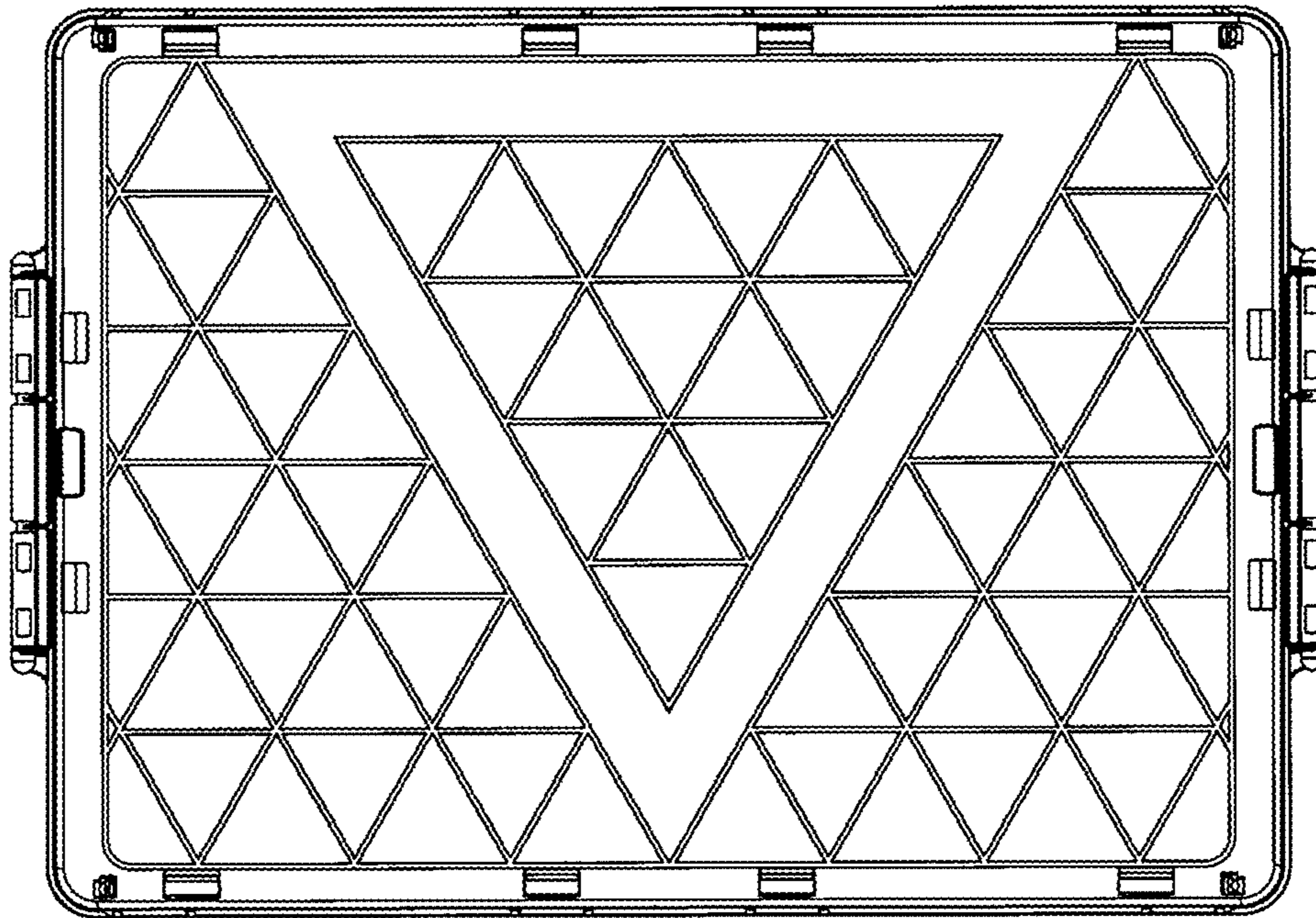


FIG. 8

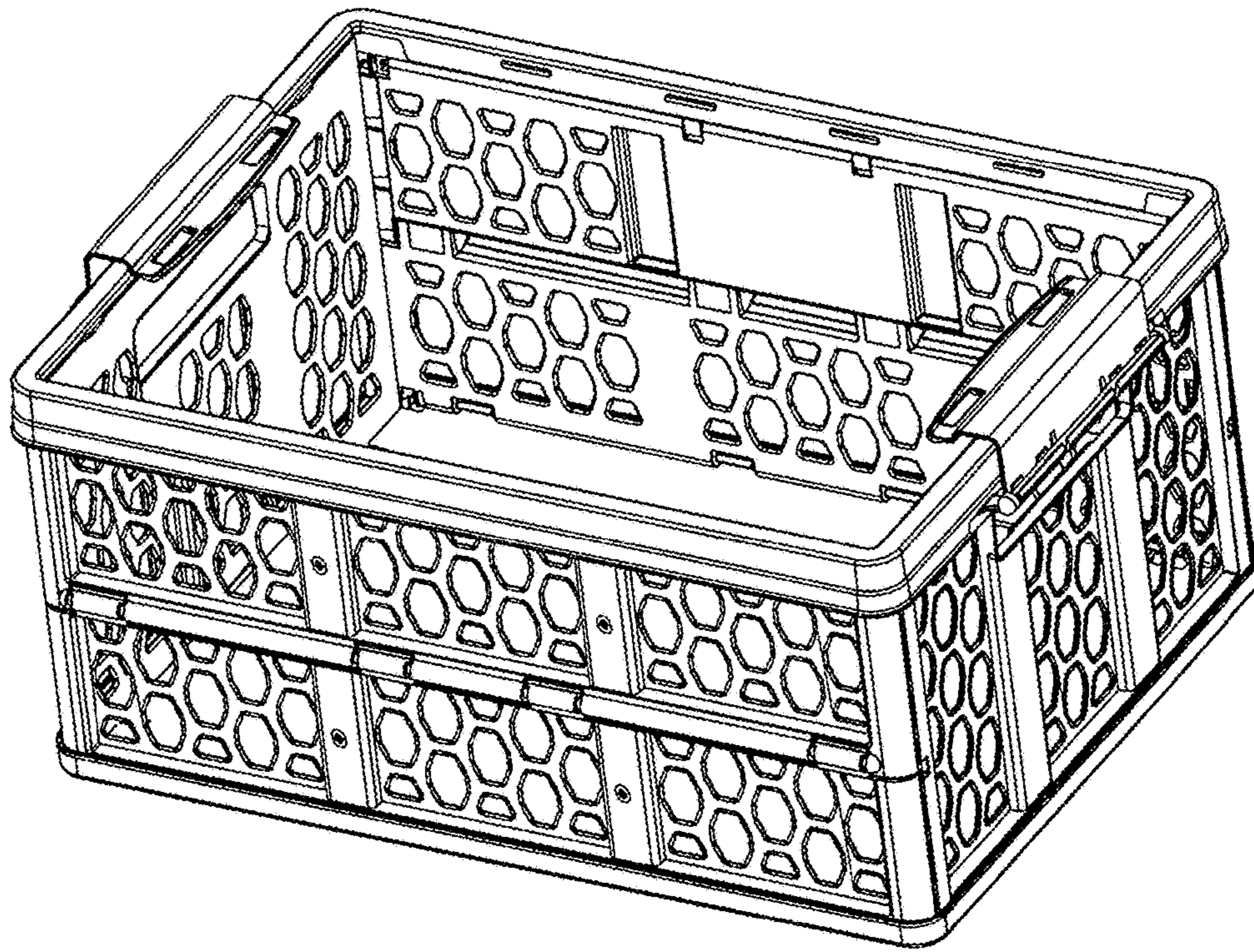


FIG. 9

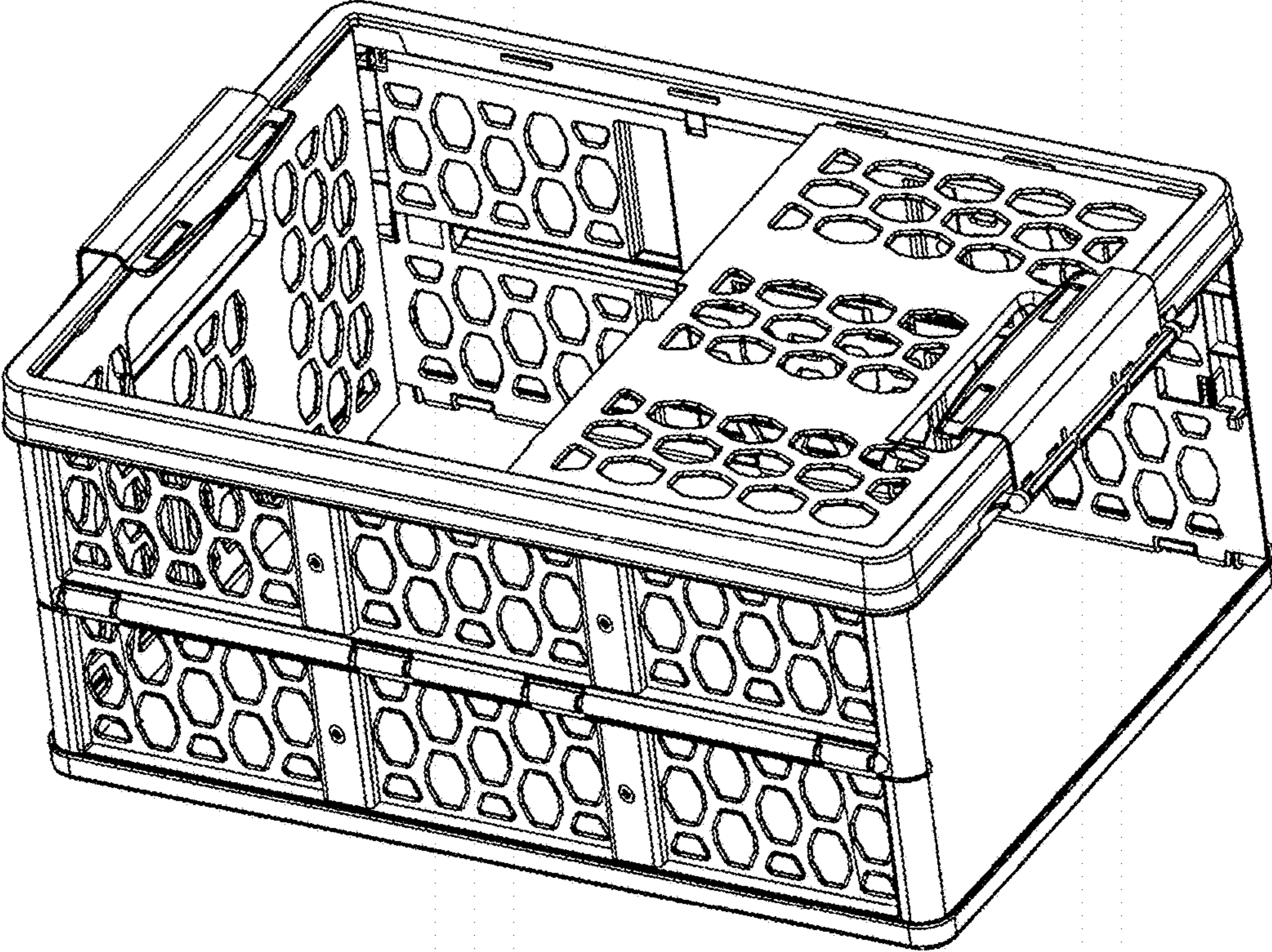


FIG. 10

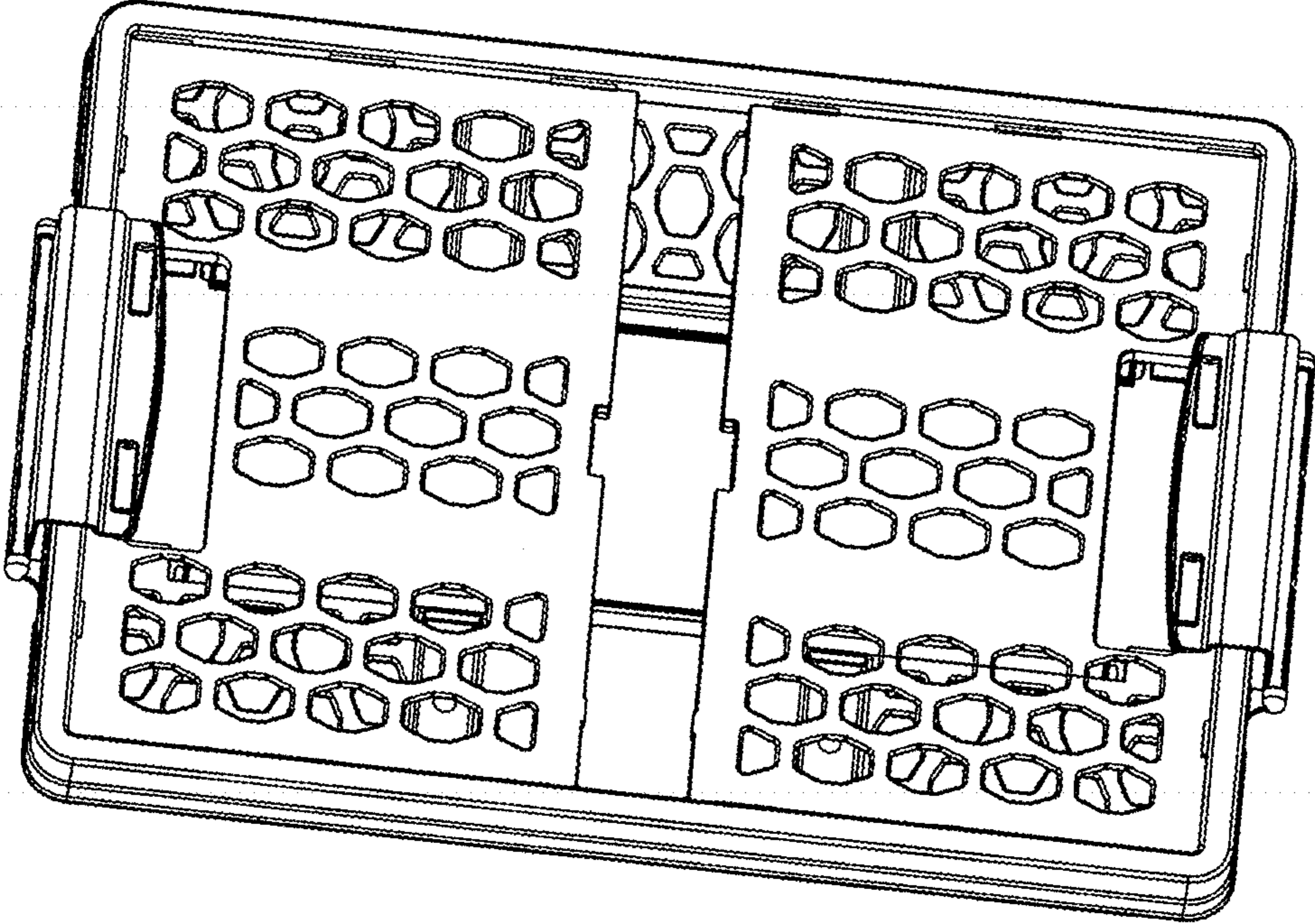


FIG. 11

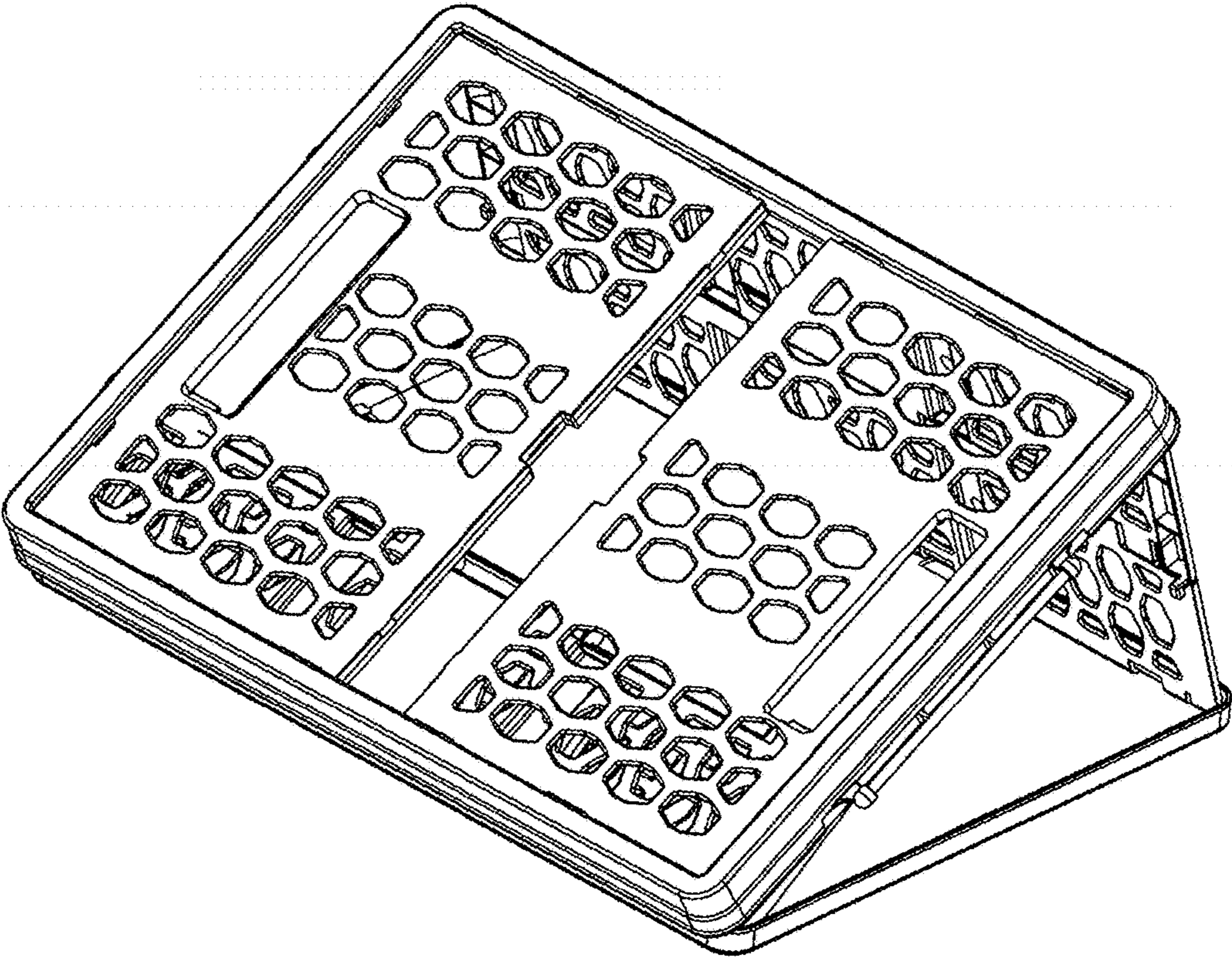


FIG. 12

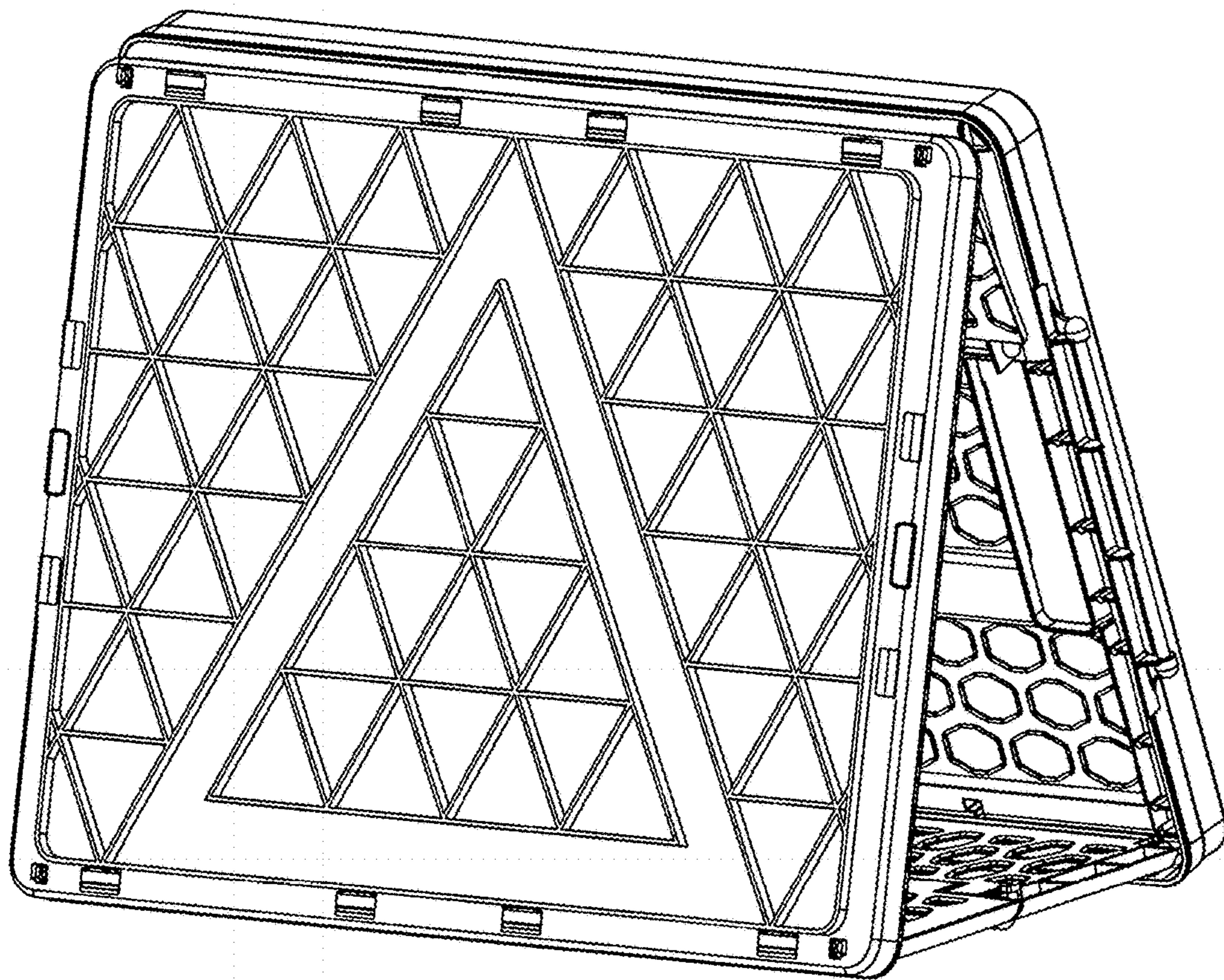


FIG. 13

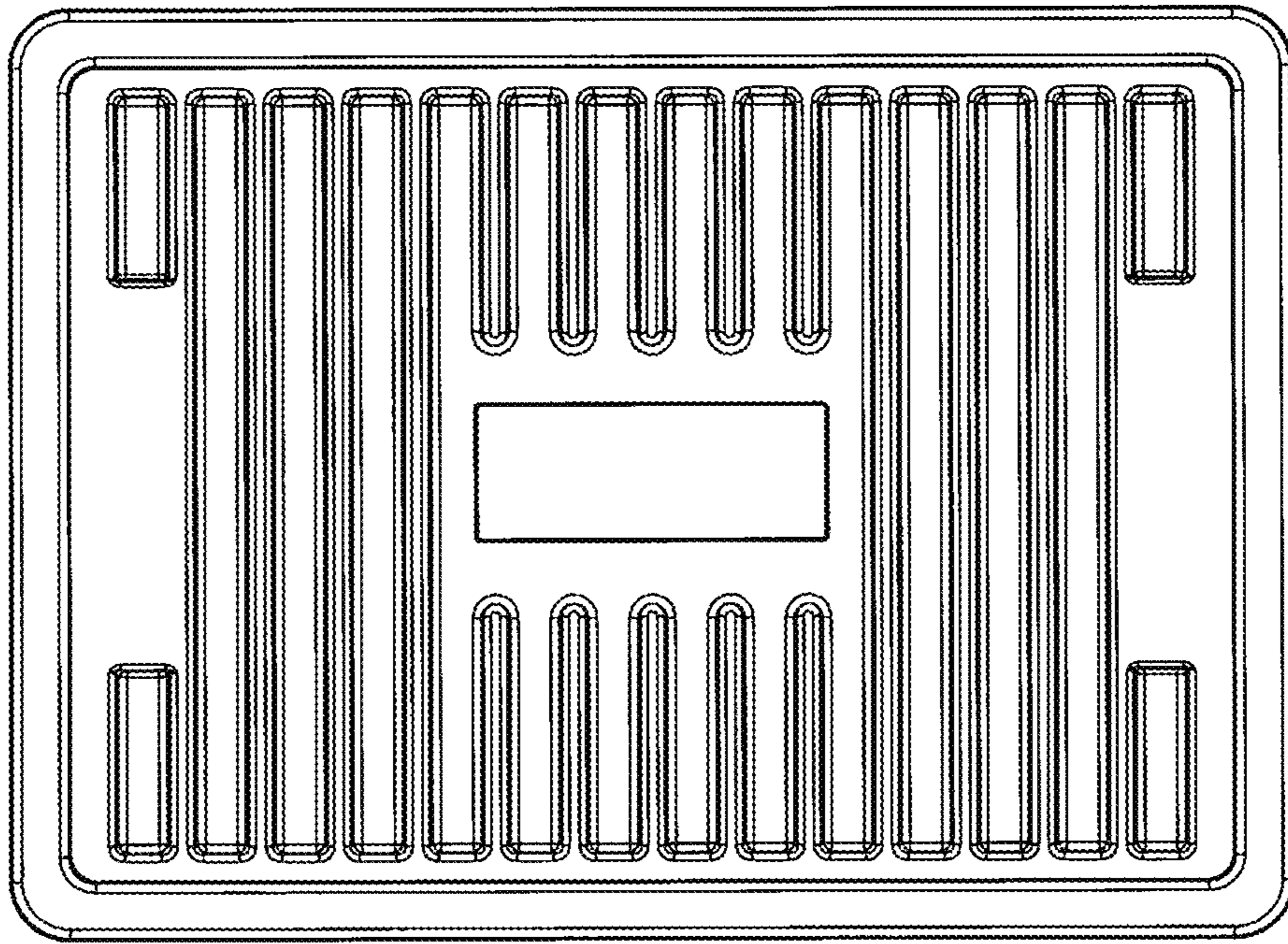


FIG. 14

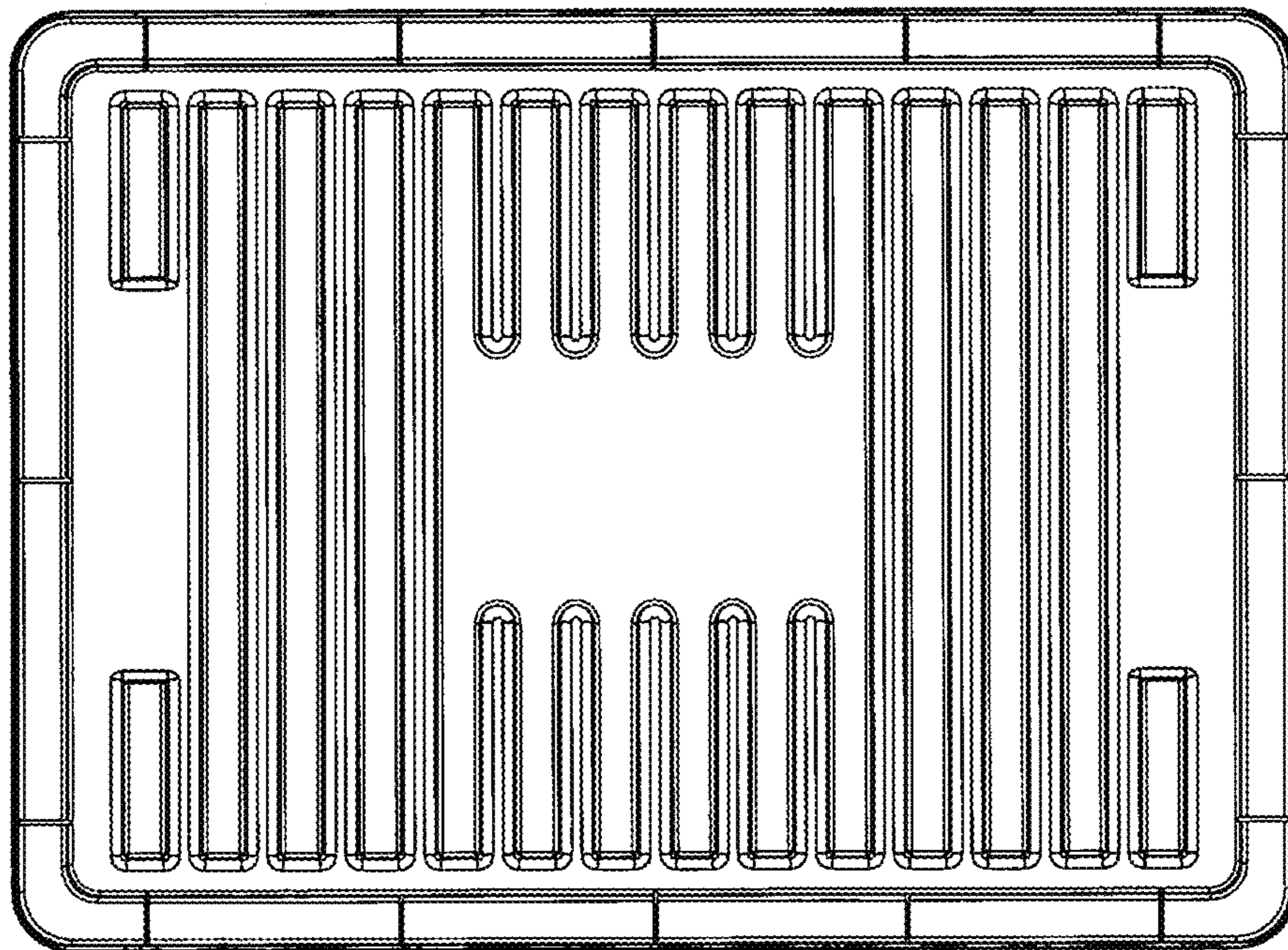


FIG. 15



FIG. 16

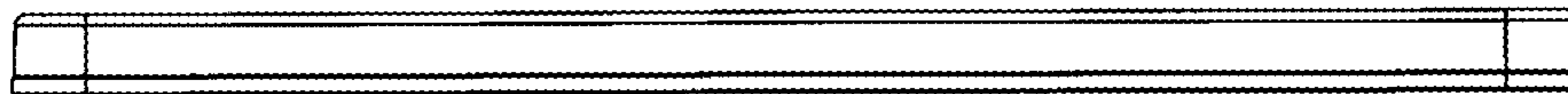


FIG. 17

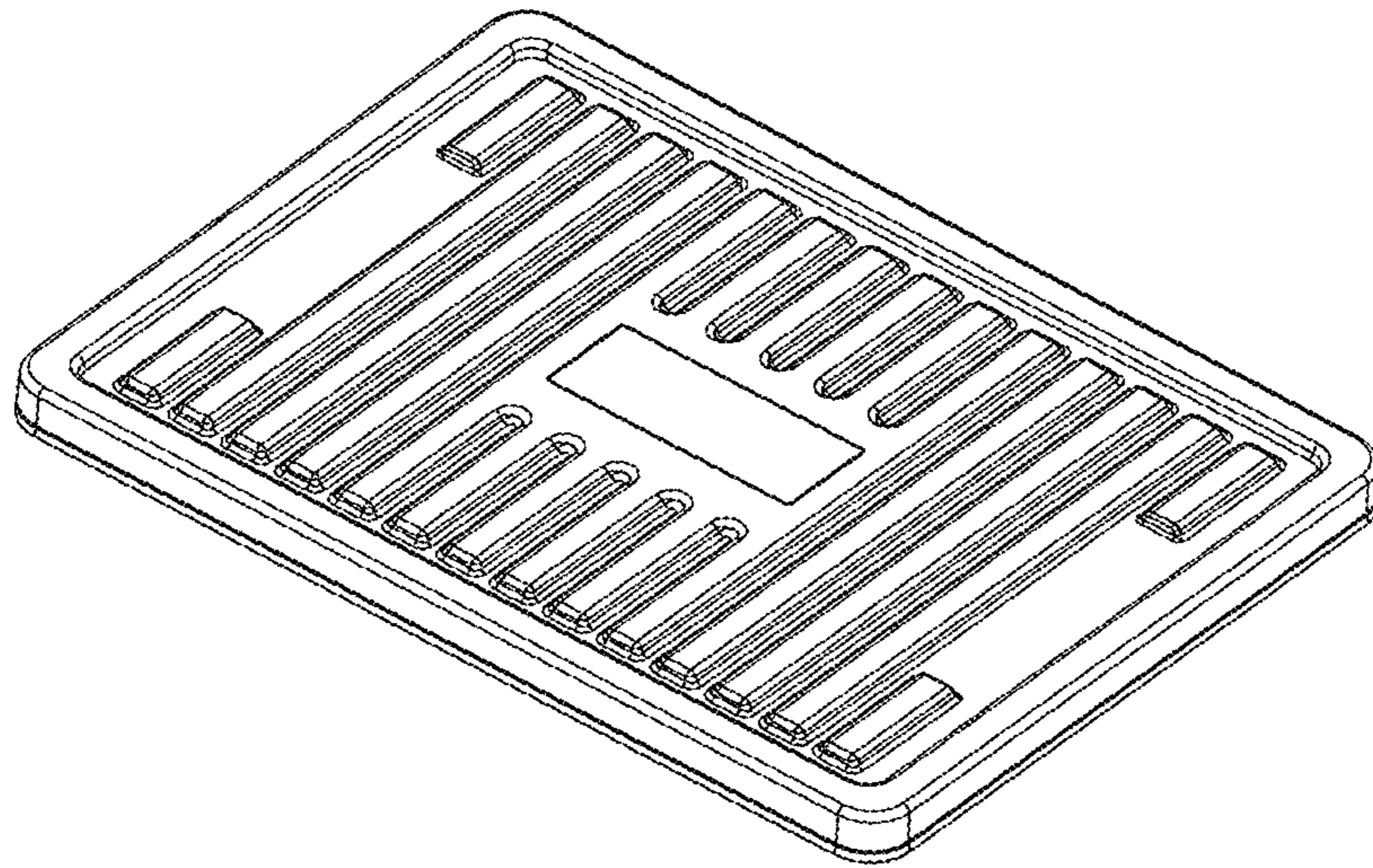


FIG. 18