



US00D805776S

(12) **United States Design Patent**  
**Shamp et al.**

(10) **Patent No.:** **US D805,776 S**

(45) **Date of Patent:** **\*\* \*Dec. 26, 2017**

(54) **STORAGE BIN**

(71) Applicants: **Travis Shamp**, Akron, OH (US);  
**Albert Kobilarcik**, Wooster, OH (US)

(72) Inventors: **Travis Shamp**, Akron, OH (US);  
**Albert Kobilarcik**, Wooster, OH (US)

(73) Assignee: **Akro-Mils, a division of Myers Industries, Inc.**, Akron, OH (US)

(\*) Notice: This patent is subject to a terminal disclaimer.

(\*\*) Term: **14 Years**

(21) Appl. No.: **29/436,721**

(22) Filed: **Nov. 8, 2012**

**Related U.S. Application Data**

(63) Continuation-in-part of application No. 13/671,978, filed on Nov. 8, 2012.

(51) **LOC (10) Cl.** ..... **03-01**

(52) **U.S. Cl.**  
USPC ..... **D3/304**

(58) **Field of Classification Search**  
USPC ..... D6/512, 513, 525, 574, 672, 675;  
D3/304, 314, 315; D19/75, 95  
CPC ..... B65D 1/22; B65D 1/28; B65D 1/38  
See application file for complete search history.

(56) **References Cited**

**U.S. PATENT DOCUMENTS**

D235,621 S \* 7/1975 Cawrse ..... D9/425  
D358,370 S \* 5/1995 Guppy ..... D13/152

D360,898 S \* 8/1995 Huerto ..... D19/75  
D404,571 S \* 1/1999 Evans ..... D3/312  
D475,854 S \* 6/2003 Caponey ..... D3/314  
D530,918 S \* 10/2006 Snell ..... D3/304  
D600,017 S \* 9/2009 Christie ..... D3/304  
D699,045 S \* 2/2014 Gomes ..... D6/513  
D734,610 S \* 7/2015 Christie ..... D3/304  
D756,652 S \* 5/2016 Reinhart ..... D3/314  
D772,575 S \* 11/2016 Stelmarski ..... D3/304

\* cited by examiner

*Primary Examiner* — Kelley Donnelly

(74) *Attorney, Agent, or Firm* — Dureska & Moore, LLC;  
Brent L. Moore

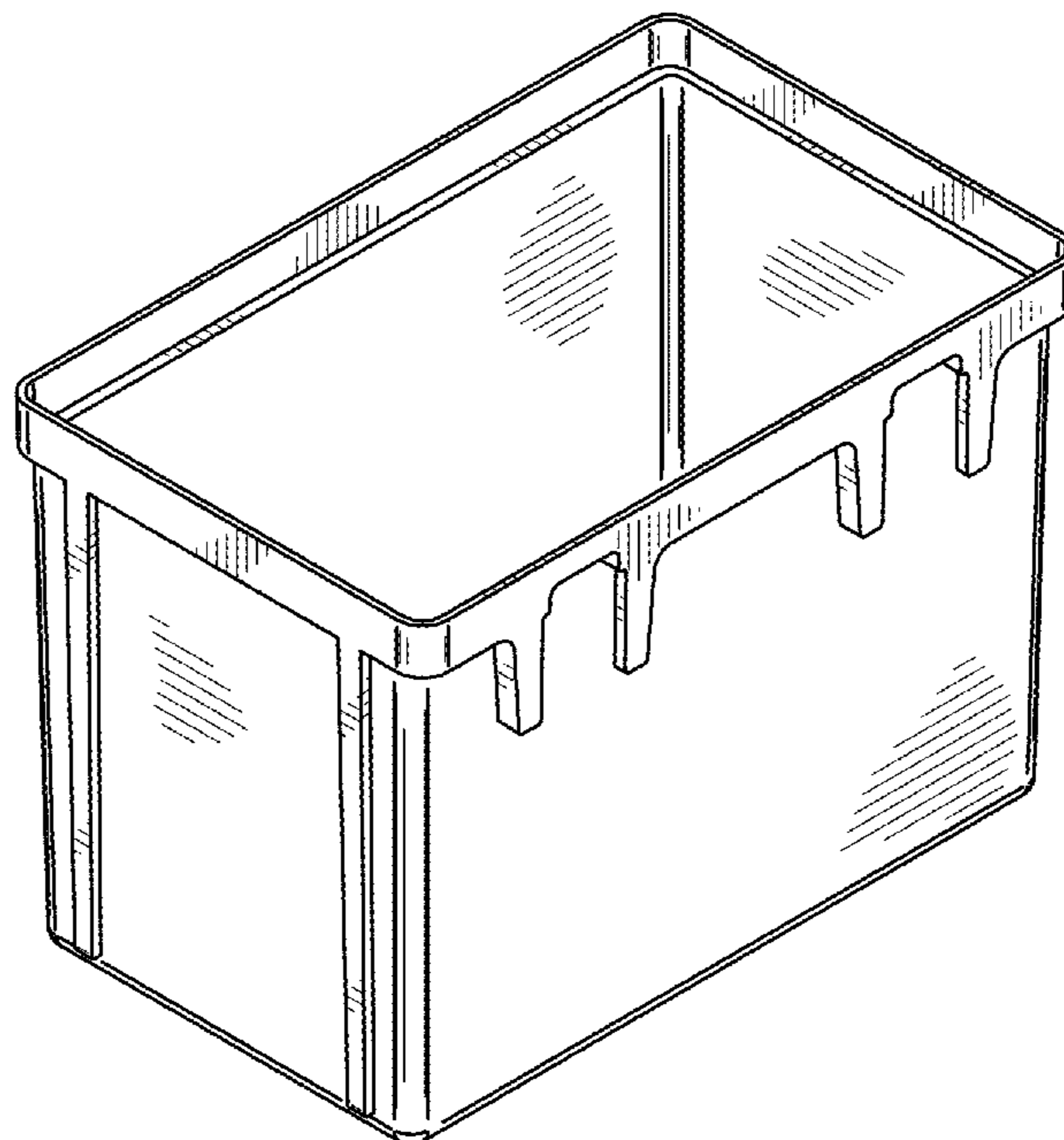
(57) **CLAIM**

We claim the ornamental design for a storage bin, as shown and described.

**DESCRIPTION**

FIG. 1 is a top left perspective view of the back side of a storage bin;  
FIG. 2 is a top left perspective view of the front side thereof.  
FIG. 3 is a bottom left perspective view thereof.  
FIG. 4 is a back elevational view thereof.  
FIG. 5 is a front elevational view thereof.  
FIG. 6 is a top elevational view thereof.  
FIG. 7 is a bottom elevational view thereof.  
FIG. 8 is a right side elevational view thereof; and,  
FIG. 9 is a left side elevational view thereof.

**1 Claim, 6 Drawing Sheets**



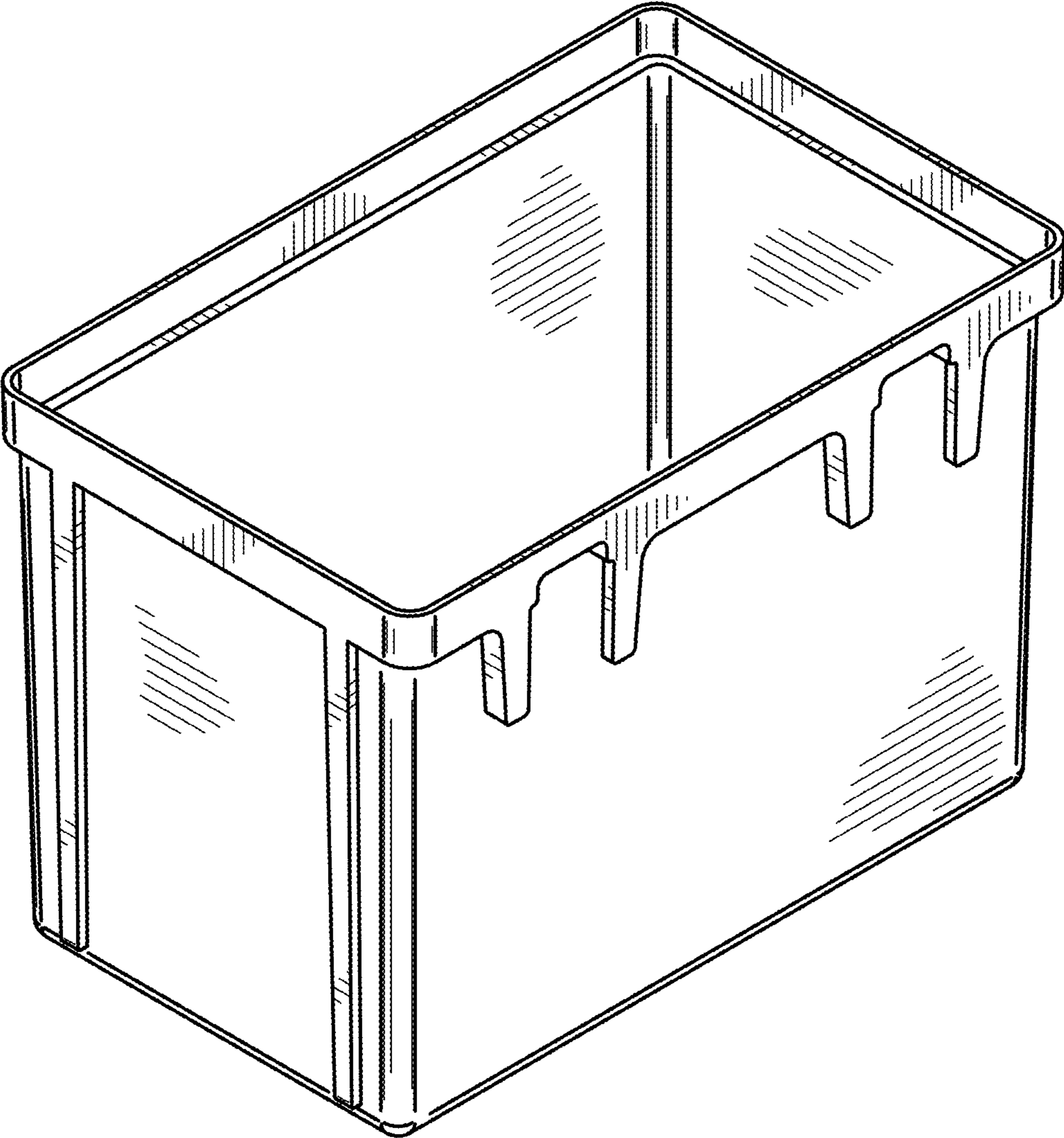


FIG. 1

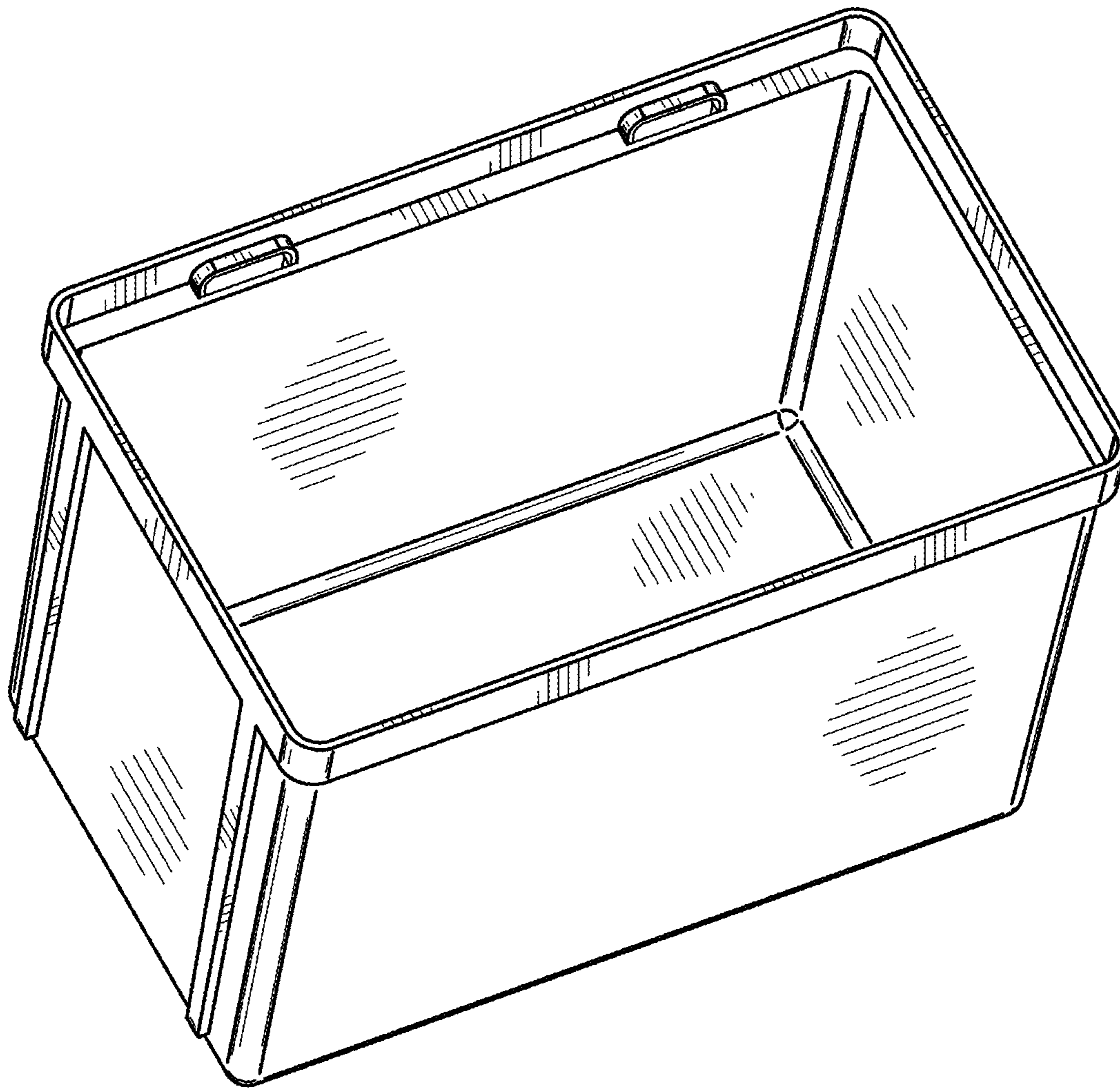


FIG. 2

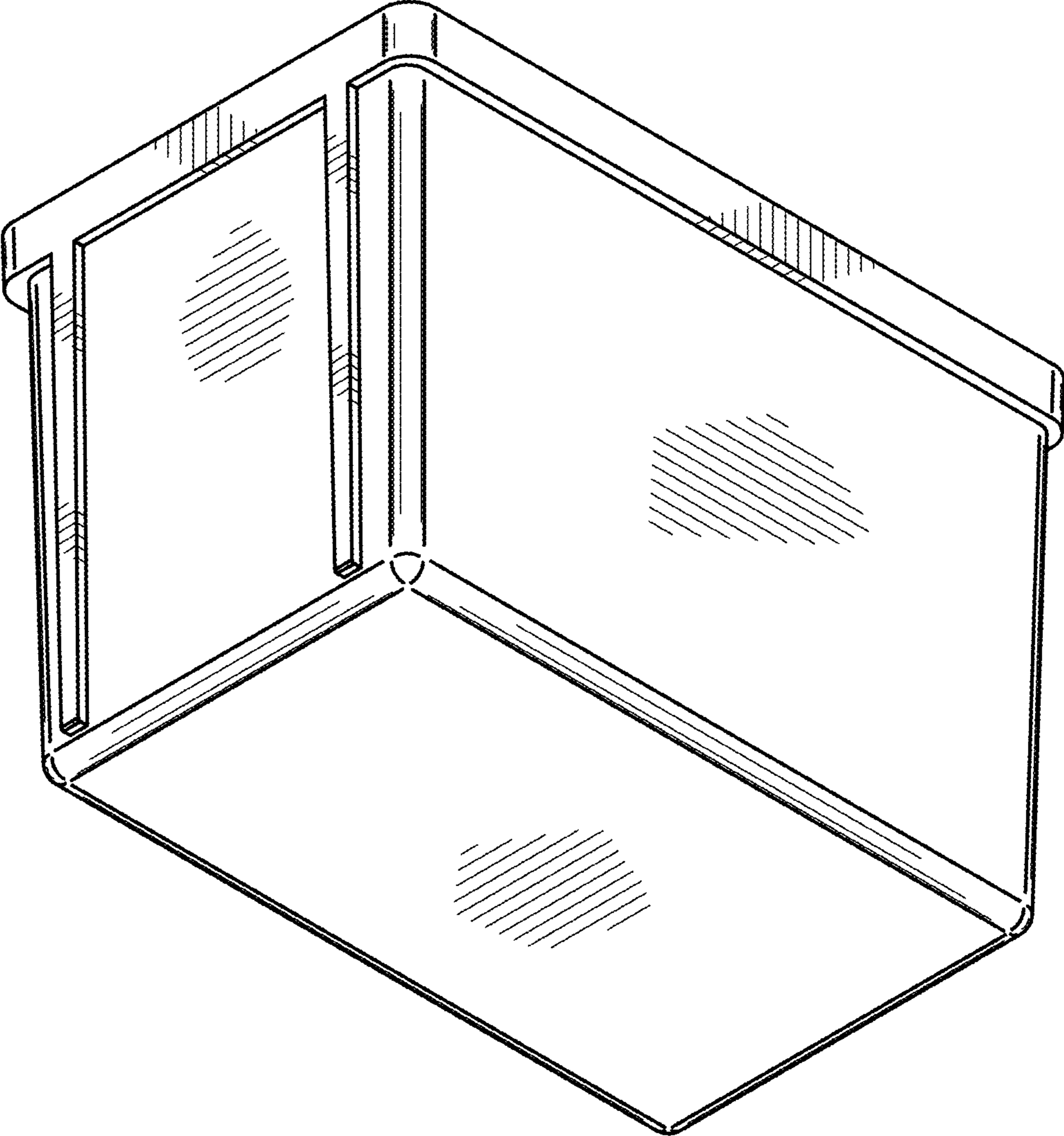


FIG. 3

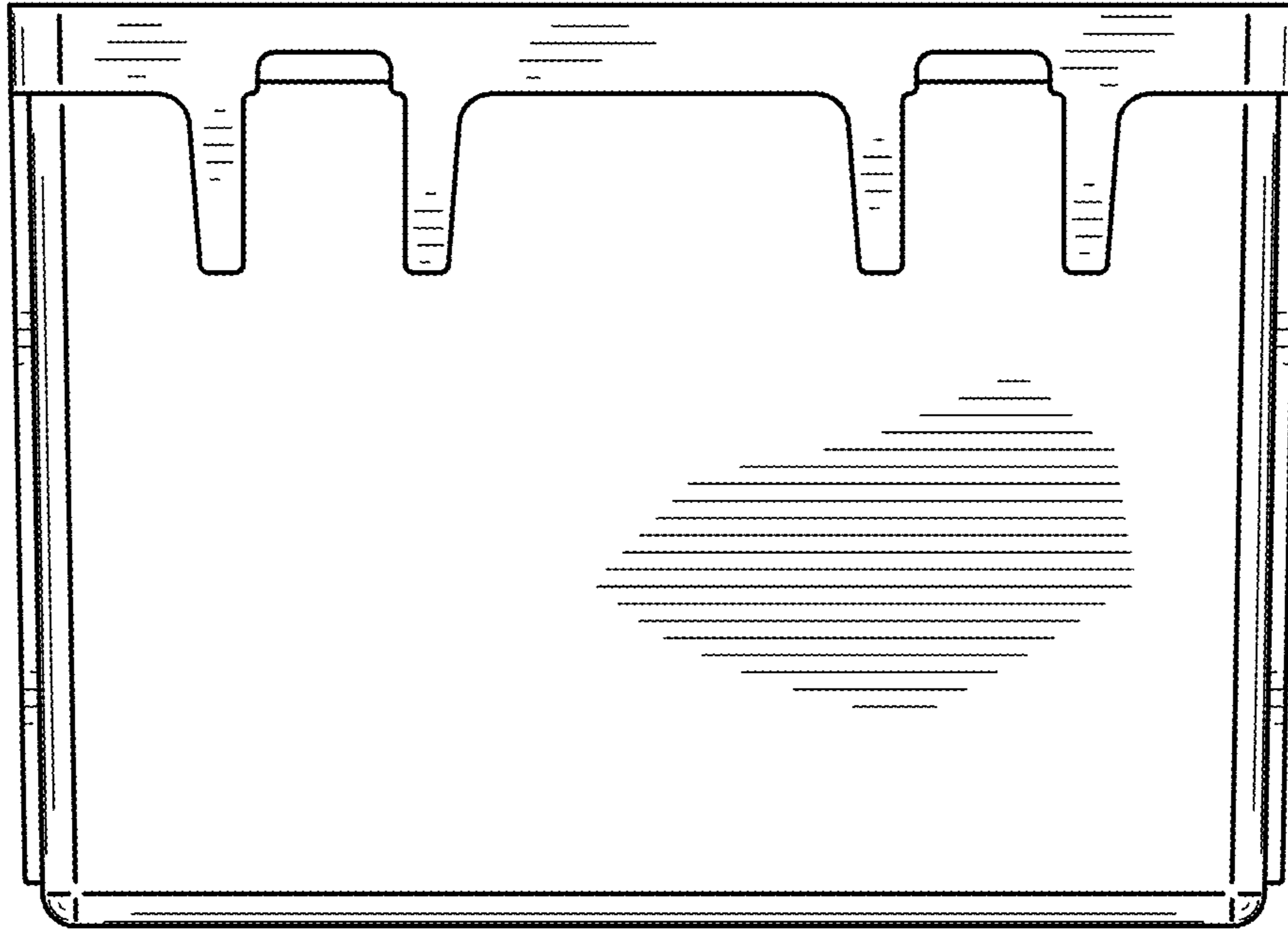


FIG. 4

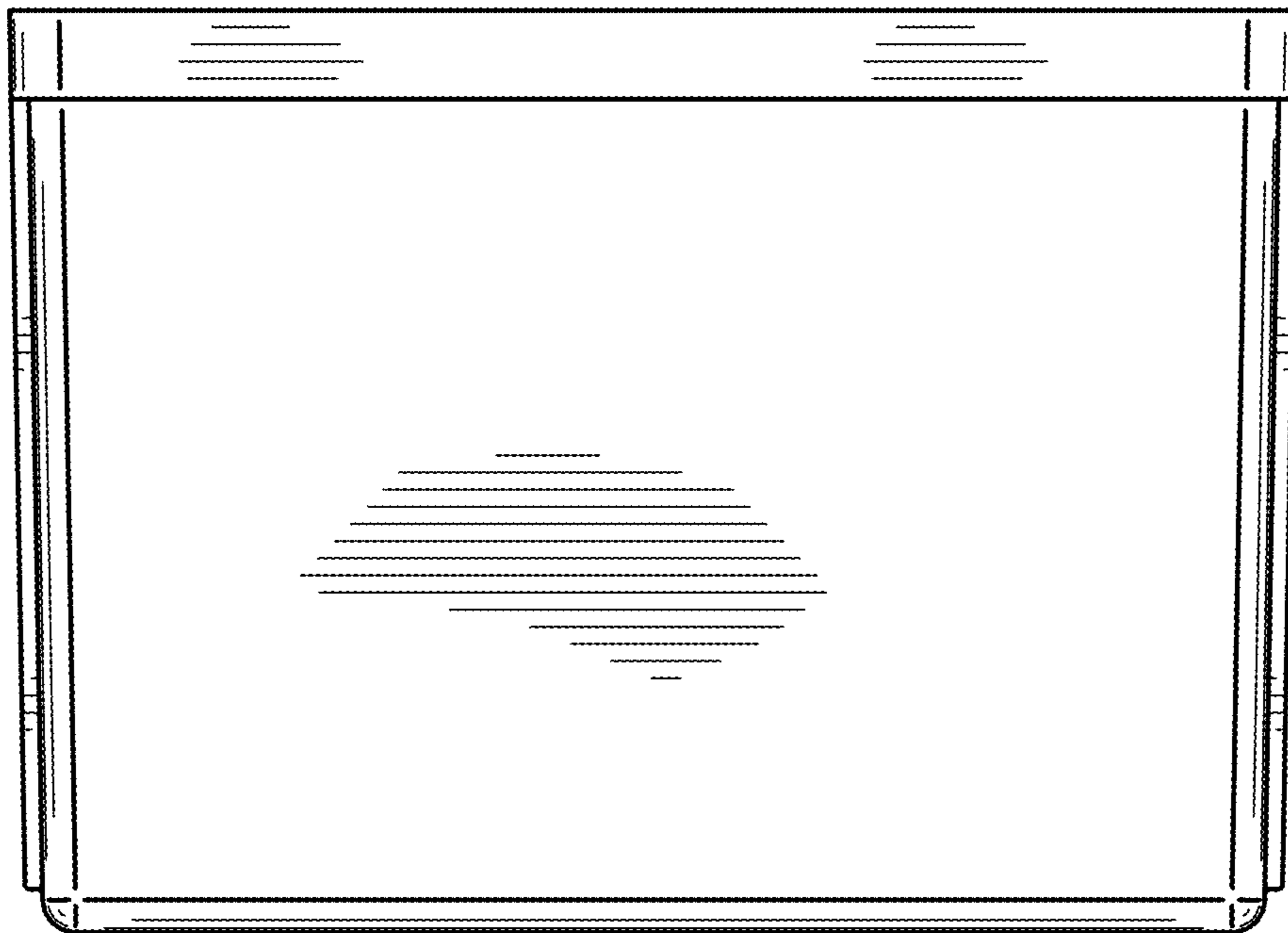


FIG. 5

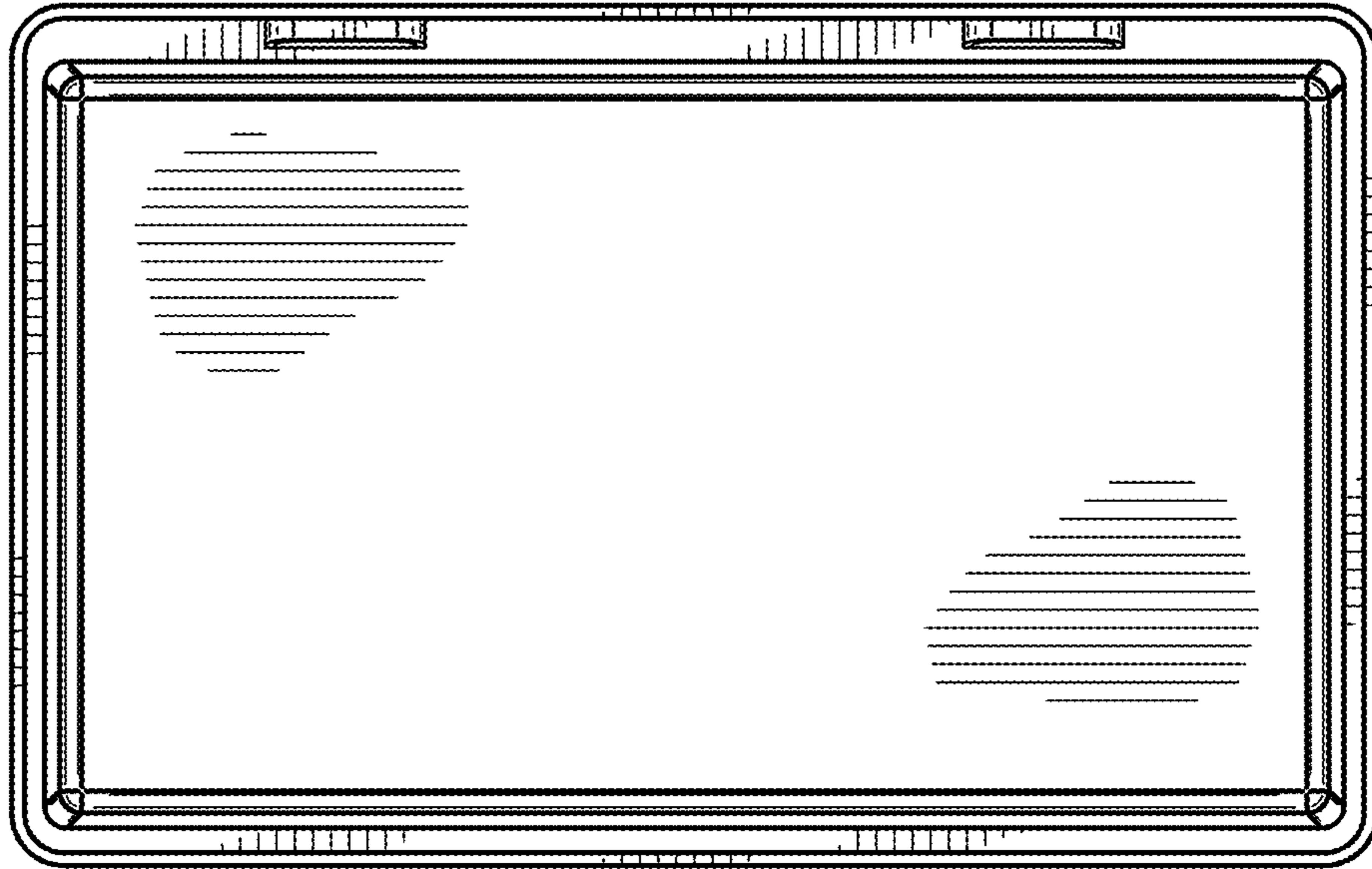


FIG. 6

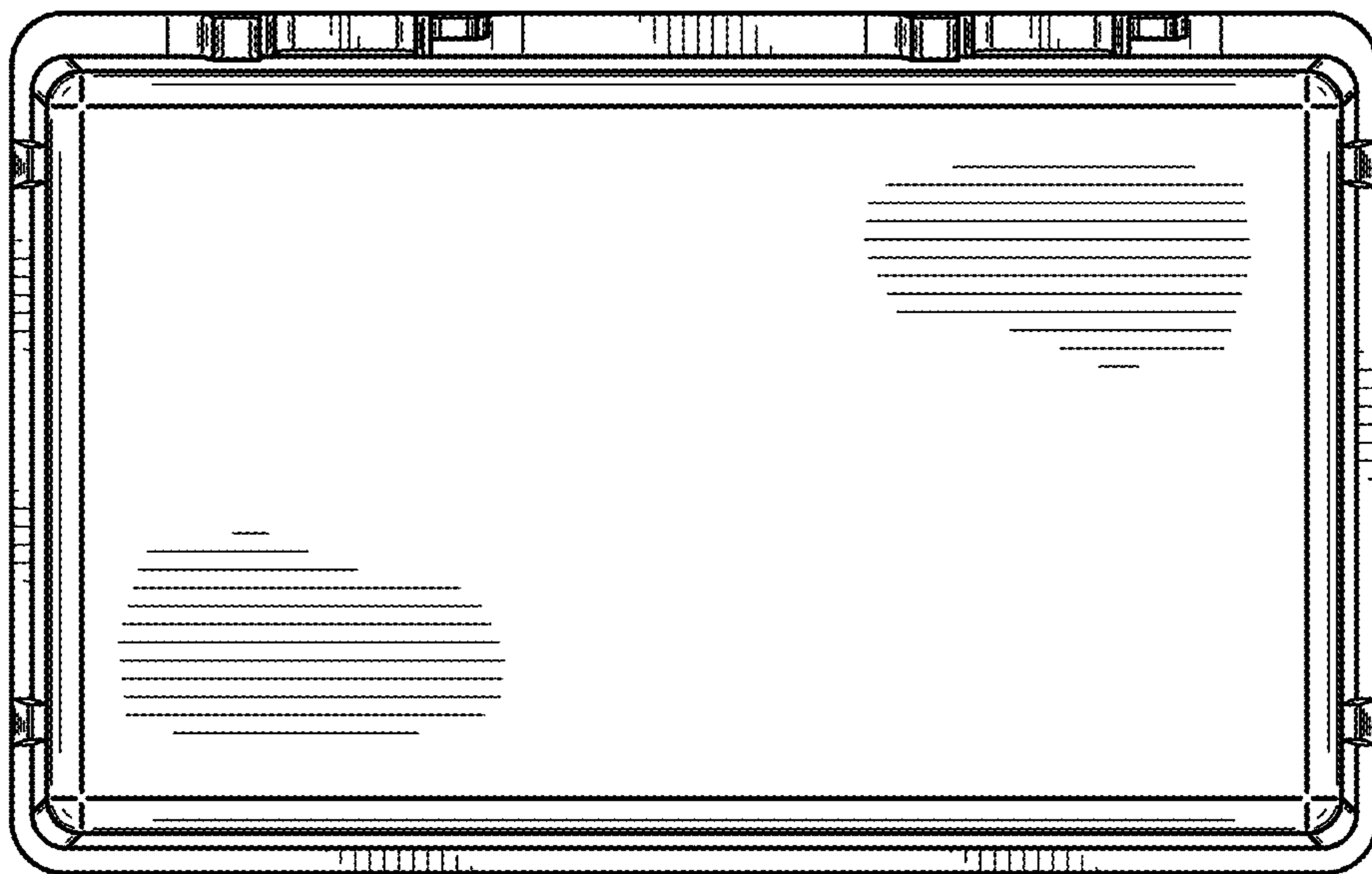


FIG. 7

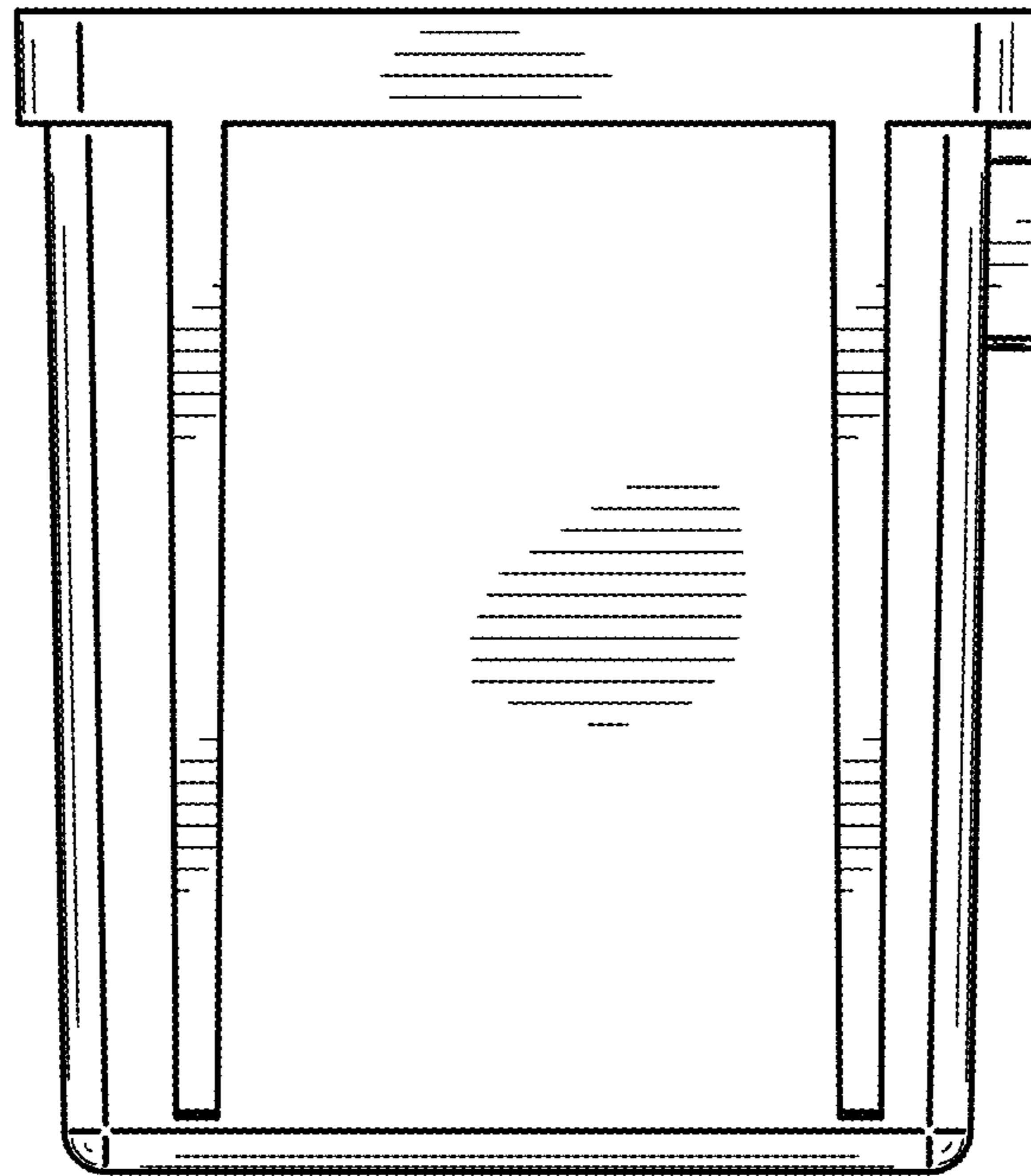


FIG. 8

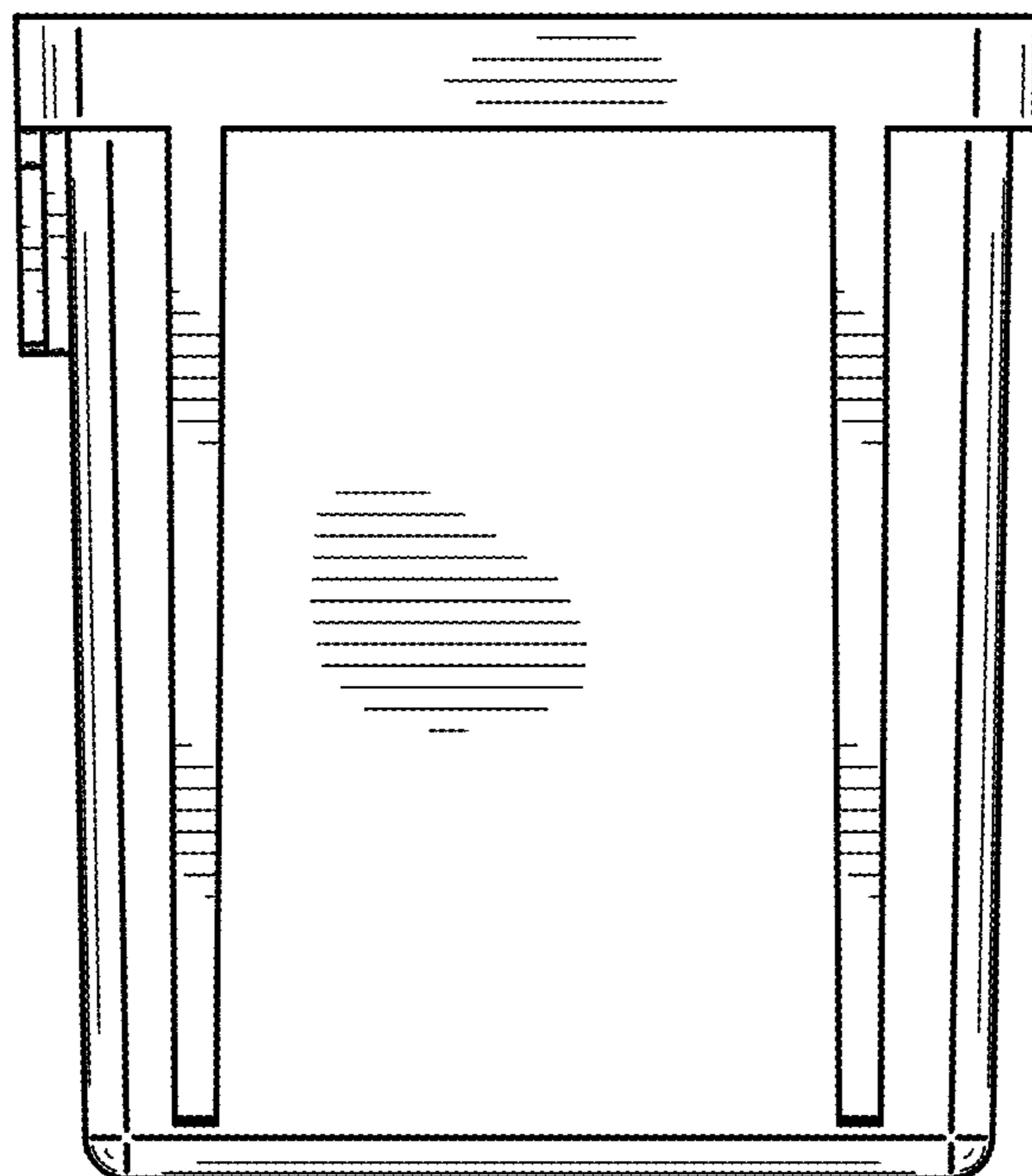


FIG. 9