



US00D805775S

(12) **United States Design Patent** (10) **Patent No.:** **US D805,775 S**
Tsai (45) **Date of Patent:** **** Dec. 26, 2017**

(54) **TOOLBOX**
(71) Applicant: **Sheng-Feng Tsai**, Taichung (TW)
(72) Inventor: **Sheng-Feng Tsai**, Taichung (TW)
(**) Term: **15 Years**
(21) Appl. No.: **29/582,062**
(22) Filed: **Oct. 25, 2016**
(51) **LOC (10) Cl.** **03-01**
(52) **U.S. Cl.**
USPC **D3/298; D3/905**
(58) **Field of Classification Search**
USPC D3/206, 262, 271.8, 274, 273, 276, 282,
D3/284, 294, 298, 302, 315, 901, 905,
D3/904, 201
CPC B25H 3/003; A45C 2011/002; A45C
2011/003; A45C 2011/007; A45C 11/16;
A45C 11/36; A45C 11/34; A45C 15/00;
A45D 2040/0012; A45D 40/24
See application file for complete search history.

(56) **References Cited**
U.S. PATENT DOCUMENTS
D477,912 S * 8/2003 Cunningham D3/273
D548,971 S * 8/2007 Lin D3/294
D563,670 S * 3/2008 Cornwell D3/294
D569,616 S * 5/2008 Lin D3/273
D712,137 S * 9/2014 Hsu D3/228

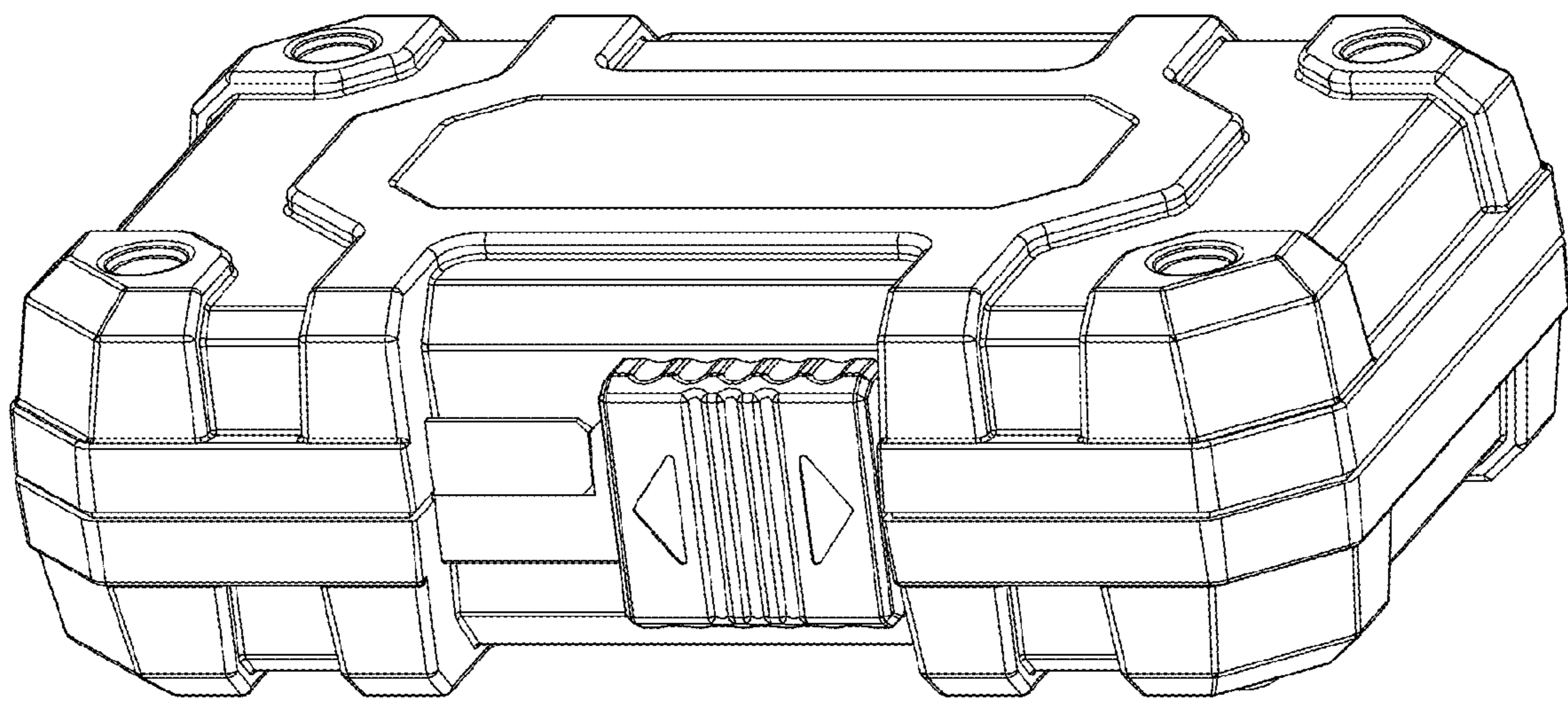
D749,846 S * 2/2016 Koeniger D3/294
D753,917 S * 4/2016 Koeniger D3/294
D773,184 S * 12/2016 Ko D3/274
2004/0144671 A1 * 7/2004 Hallee B25H 3/003
206/373
2010/0122983 A1 * 5/2010 Steele B25H 3/027
220/4.03
2016/0236342 A1 * 8/2016 Evatt B25H 3/003
* cited by examiner

Primary Examiner — Jennifer Rivard
Assistant Examiner — April Rivas
(74) *Attorney, Agent, or Firm* — LeClairRyan

(57) **CLAIM**
The ornamental design for a toolbox, as shown and described.

DESCRIPTION
FIG. 1 is a perspective view of the toolbox showing my new design;
FIG. 2 is a front elevational view thereof;
FIG. 3 is a rear elevational view thereof;
FIG. 4 is a left side elevational view thereof;
FIG. 5 is a right side elevational view thereof;
FIG. 6 is a top plan view thereof; and,
FIG. 7 is a bottom plan view thereof.
The broken lines illustrate portions of the toolbox and form no part of the claimed design.

1 Claim, 7 Drawing Sheets



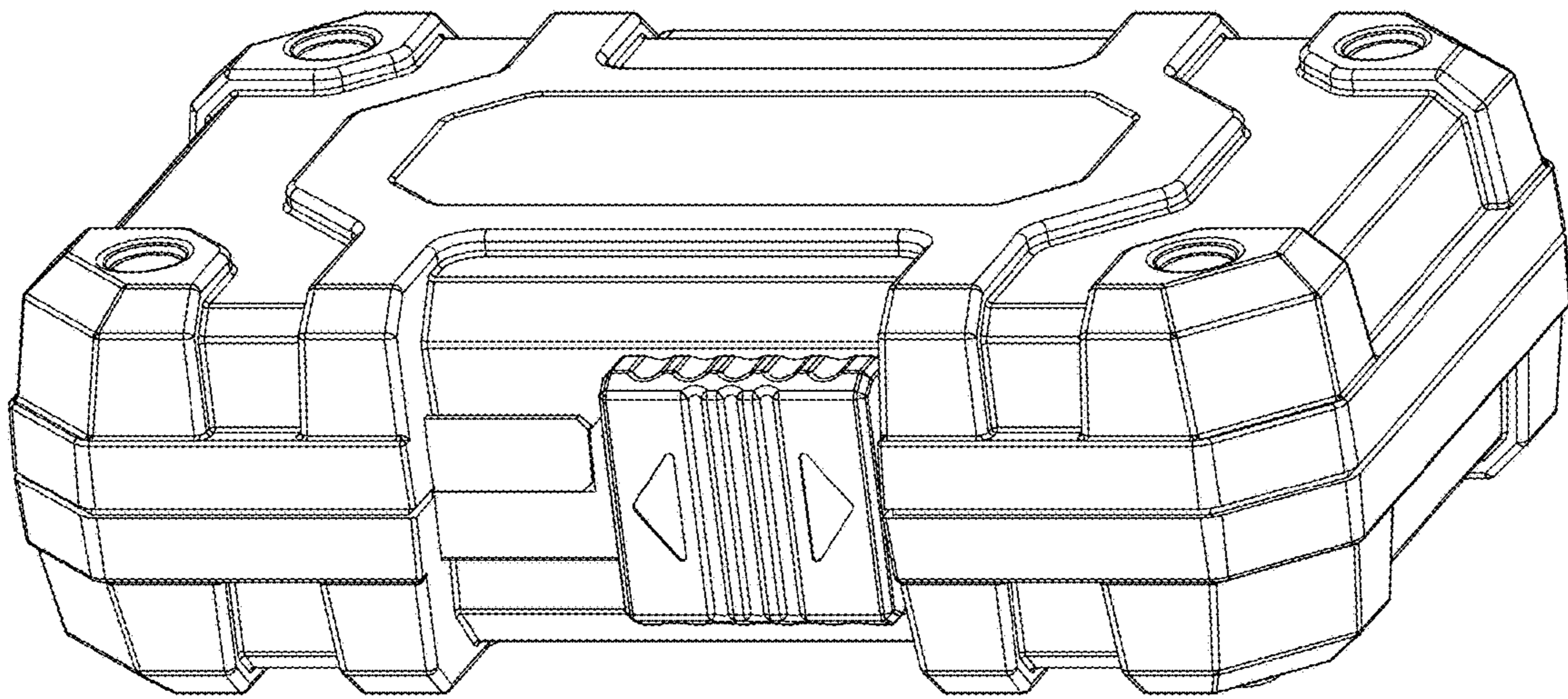


FIG. 1

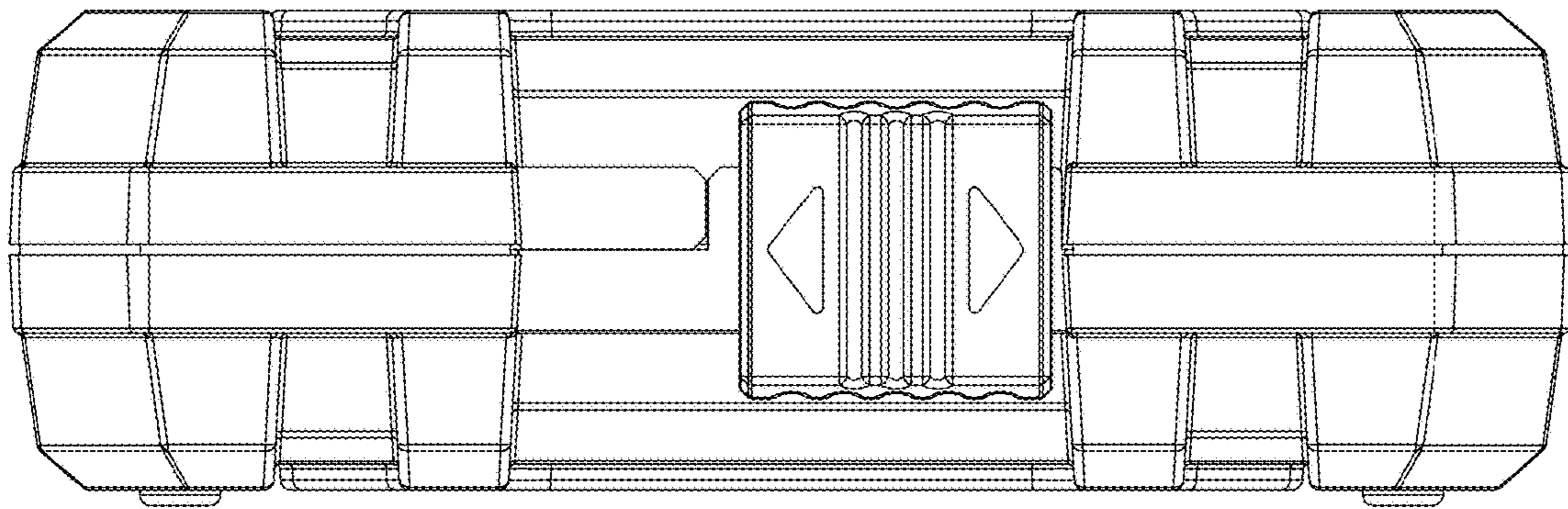


FIG.2

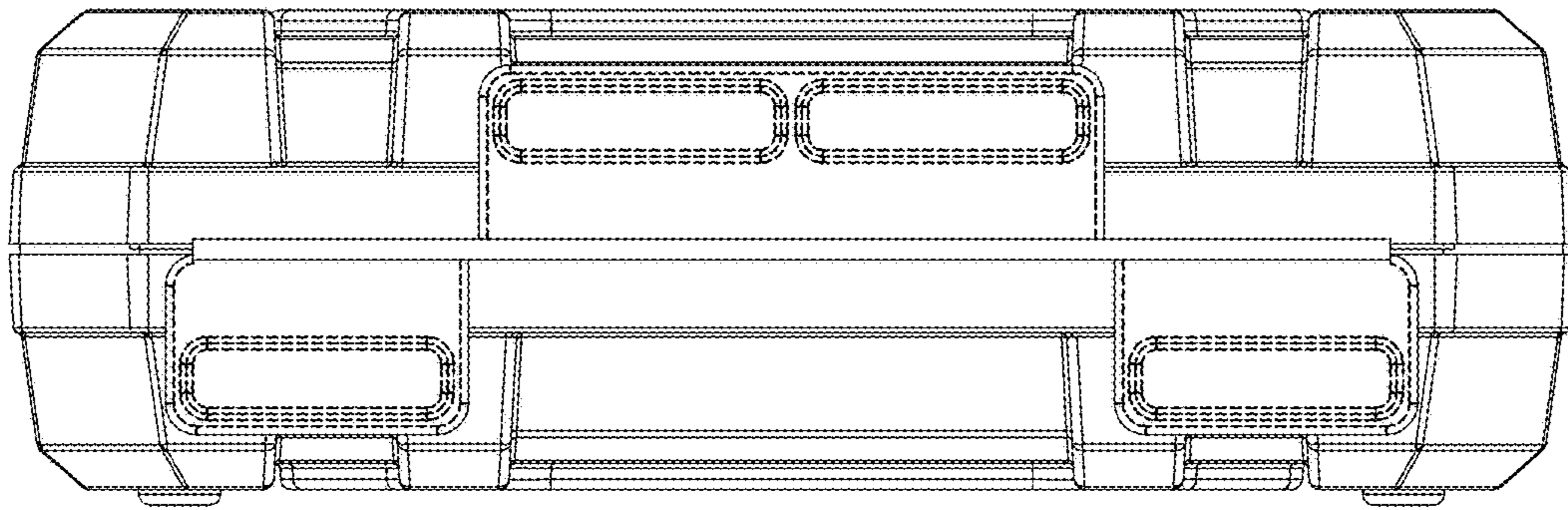


FIG.3

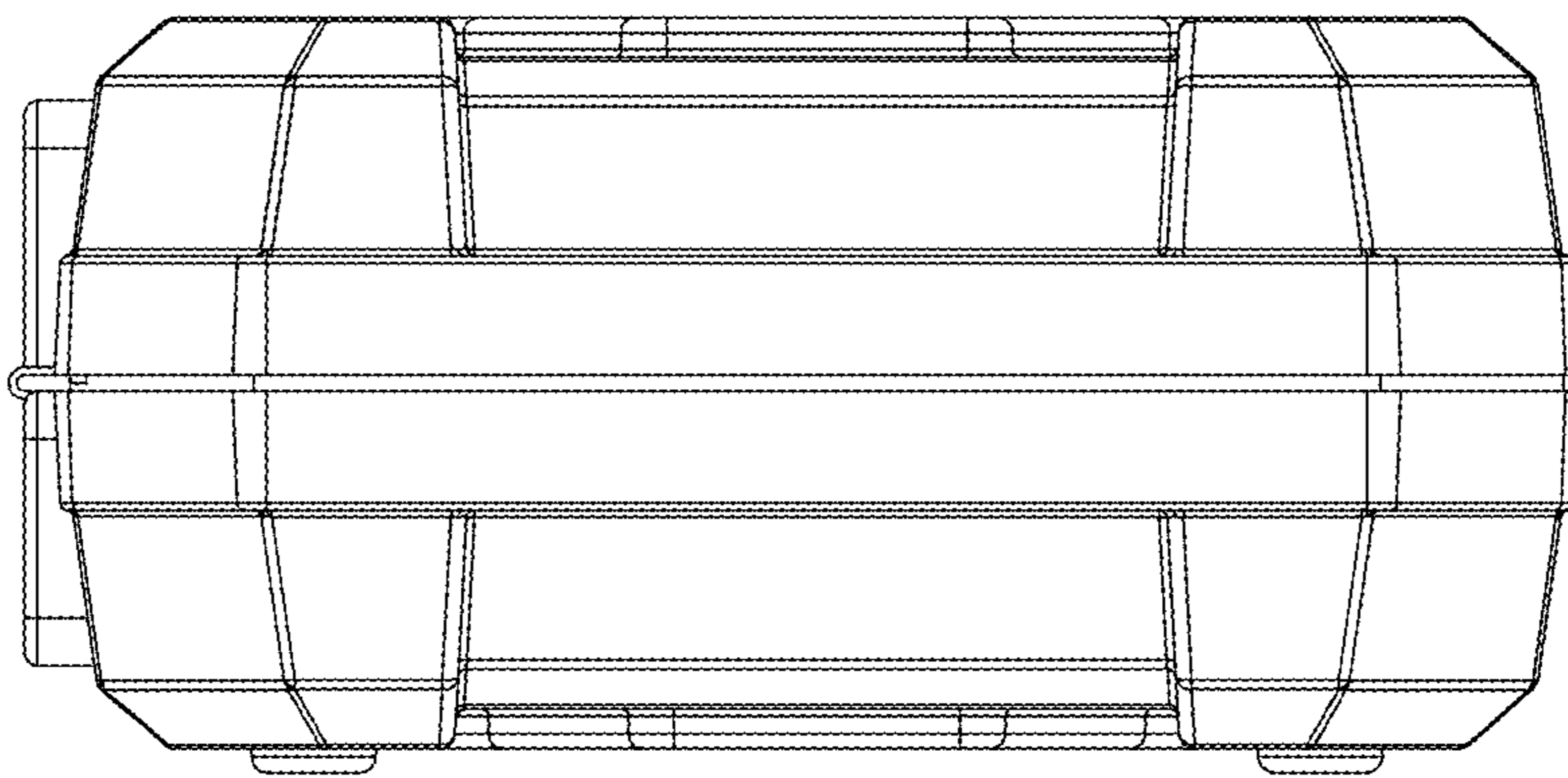


FIG.4

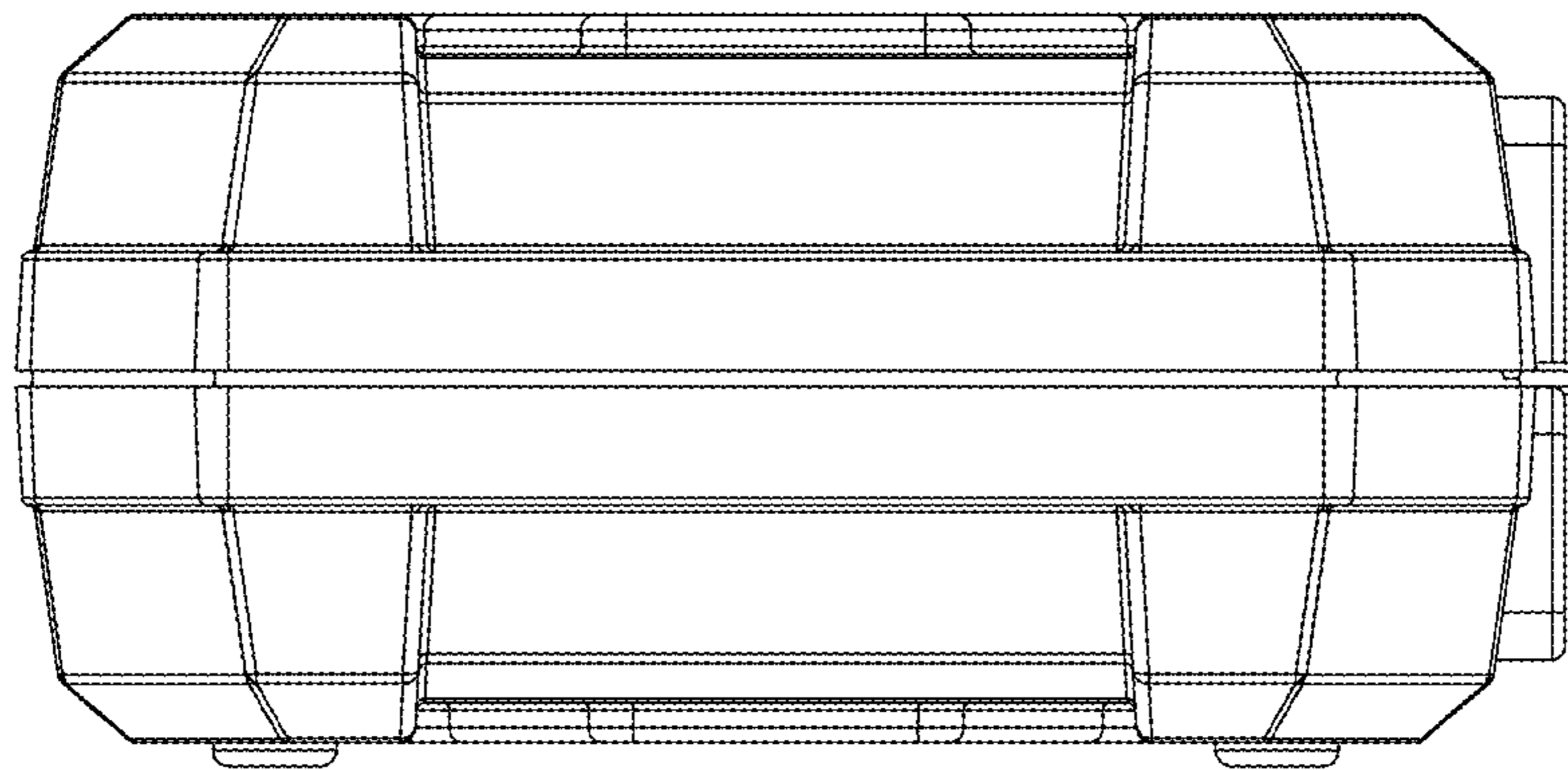


FIG.5

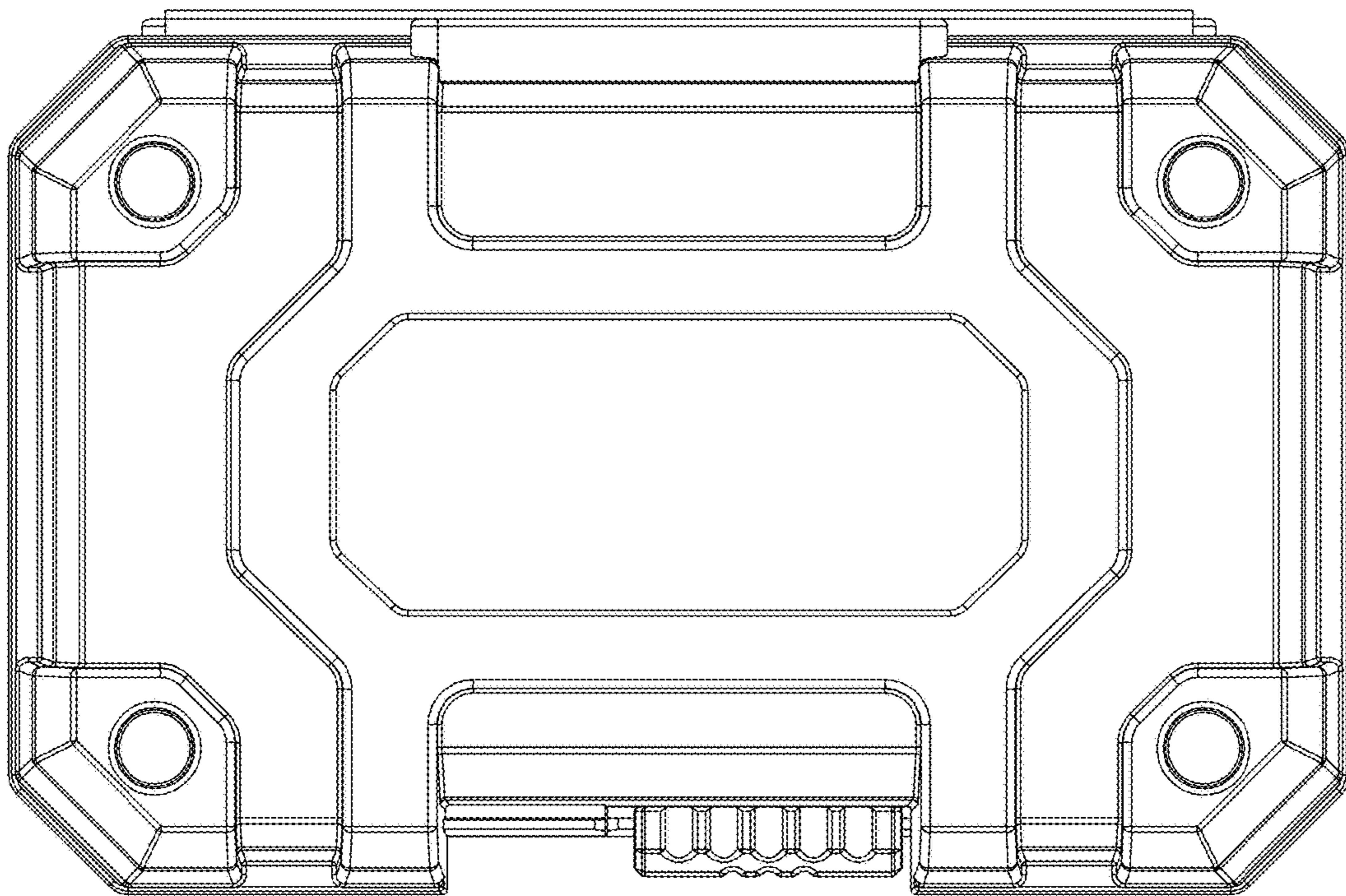


FIG.6

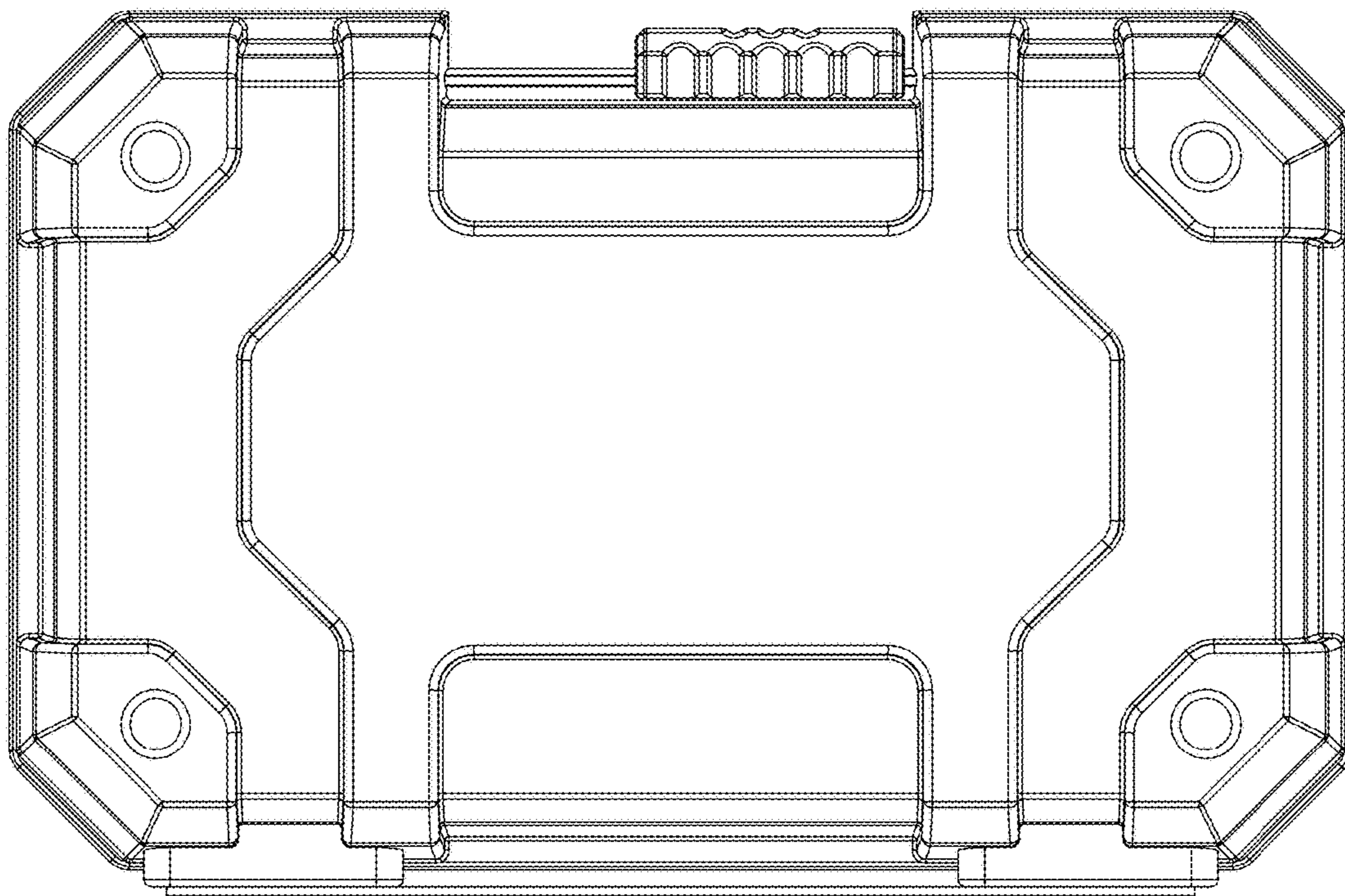


FIG.7