



US00D805774S

(12) **United States Design Patent**
Sun

(10) **Patent No.:** **US D805,774 S**

(45) **Date of Patent:** **** Dec. 26, 2017**

(54) **HARD DISK DRIVE PROTECTION CASE**

(71) Applicant: **Jialu Sun**, Jilin (CN)

(72) Inventor: **Jialu Sun**, Jilin (CN)

(**) Term: **15 Years**

(21) Appl. No.: **29/584,069**

(22) Filed: **Nov. 11, 2016**

(51) **LOC (10) Cl.** **03-01**

(52) **U.S. Cl.**
USPC **D3/294**

(58) **Field of Classification Search**
USPC D3/273, 276, 279, 281, 282, 284, 288,
D3/291, 292, 294, 295, 297, 298, 302,
D3/901, 905

CPC .. B25H 3/02-3/028; B25H 3/00; B25H 3/003
See application file for complete search history.

(56) **References Cited**

U.S. PATENT DOCUMENTS

D448,565 S *	10/2001	Sanderson	D3/273
D548,971 S *	8/2007	Lin	D3/294
D569,616 S *	5/2008	Lin	D3/273
D579,202 S *	10/2008	Grenier	D3/294
D672,558 S *	12/2012	Wyner	D3/301
D717,048 S *	11/2014	Meng	D3/294
D721,491 S *	1/2015	Wang	D3/273
D733,429 S *	7/2015	Grenier	D3/294

D758,064 S *	6/2016	Zwetzig	D3/201
D759,378 S *	6/2016	West	D3/294
D789,086 S *	6/2017	Lin	D3/294
D792,708 S *	7/2017	Tazawa	D3/276
D795,579 S *	8/2017	Sarfati	D3/294

* cited by examiner

Primary Examiner — Sandra Snapp

Assistant Examiner — Holly E Thurman

(74) *Attorney, Agent, or Firm* — Law Offices of Steven W. Weinrieb

(57) **CLAIM**

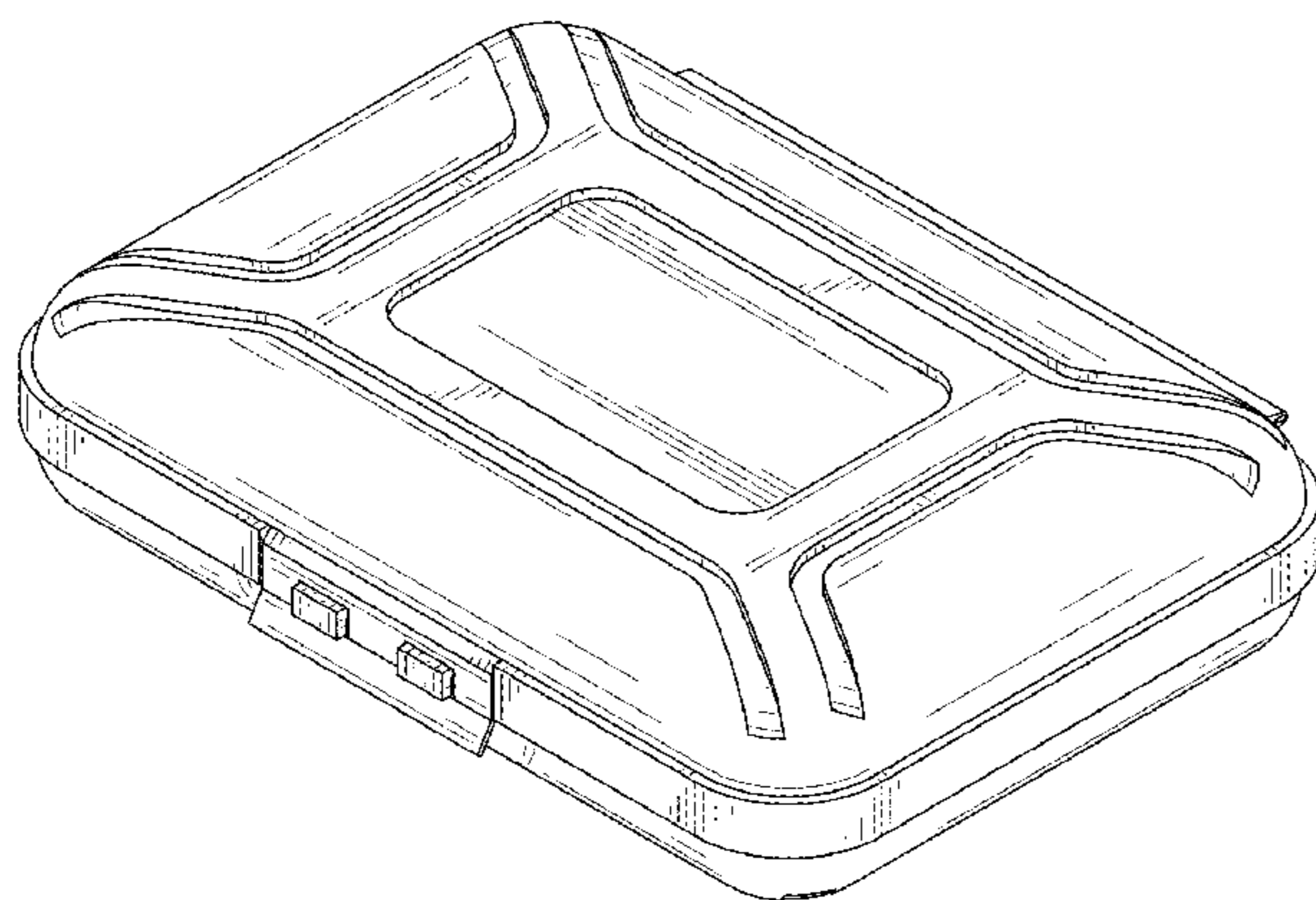
The ornamental design for a hard disk drive protection case, as shown and described.

DESCRIPTION

FIG. 1 is a first perspective view of a hard disk drive protection case showing my new design; FIG. 2 is a second perspective view thereof; FIG. 3 is a front elevational view thereof; FIG. 4 is a rear elevational view thereof; FIG. 5 is a left side view thereof; FIG. 6 is a right side view thereof; FIG. 7 is a top plan view thereof; FIG. 8 is a bottom plan view thereof; and, FIG. 9 is a perspective view of the hard disk drive protection case in a use state.

The broken lines in the drawings illustrate portions of the hard disk drive protection case which form no part of the claimed design.

1 Claim, 9 Drawing Sheets



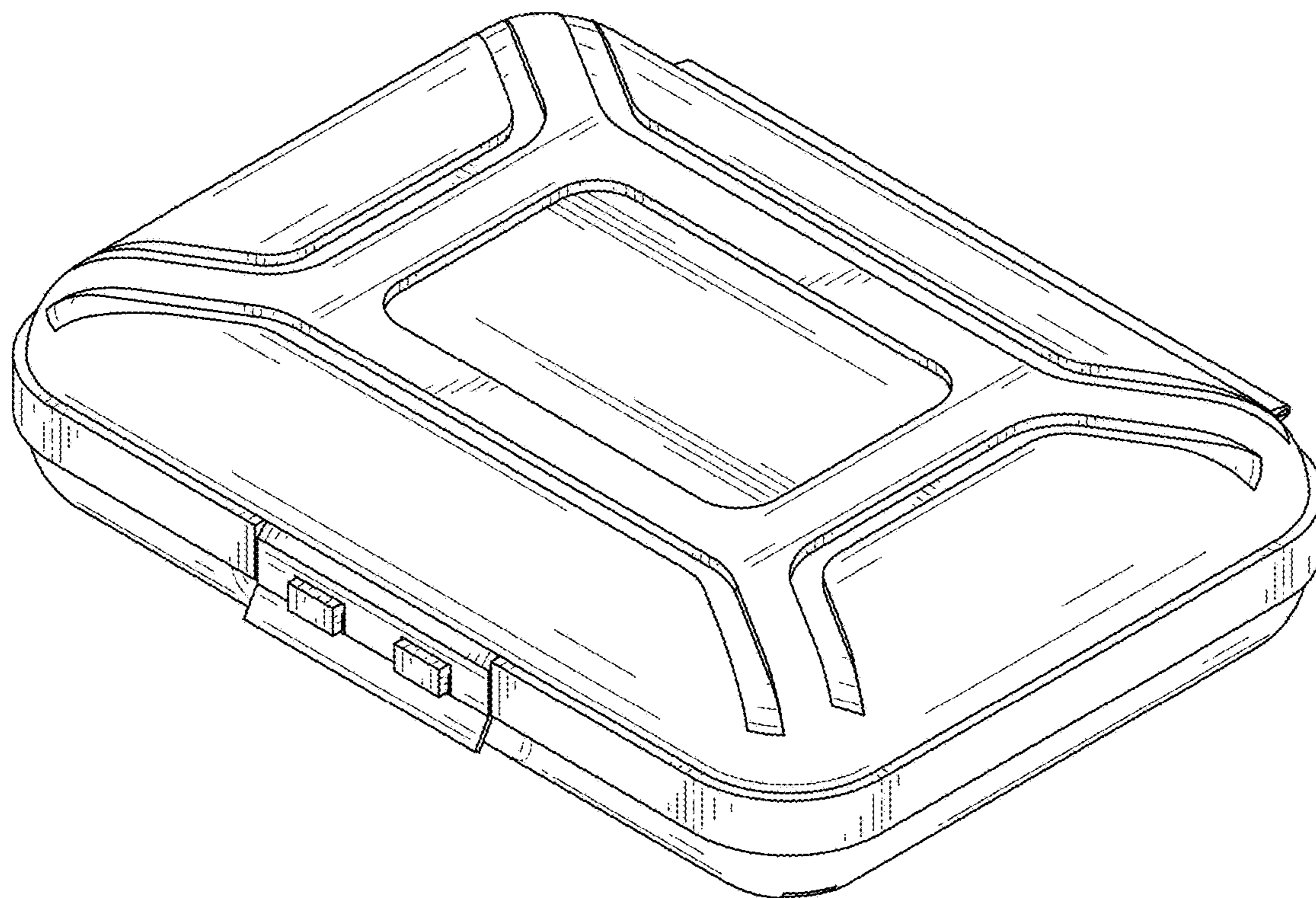


FIG. 1

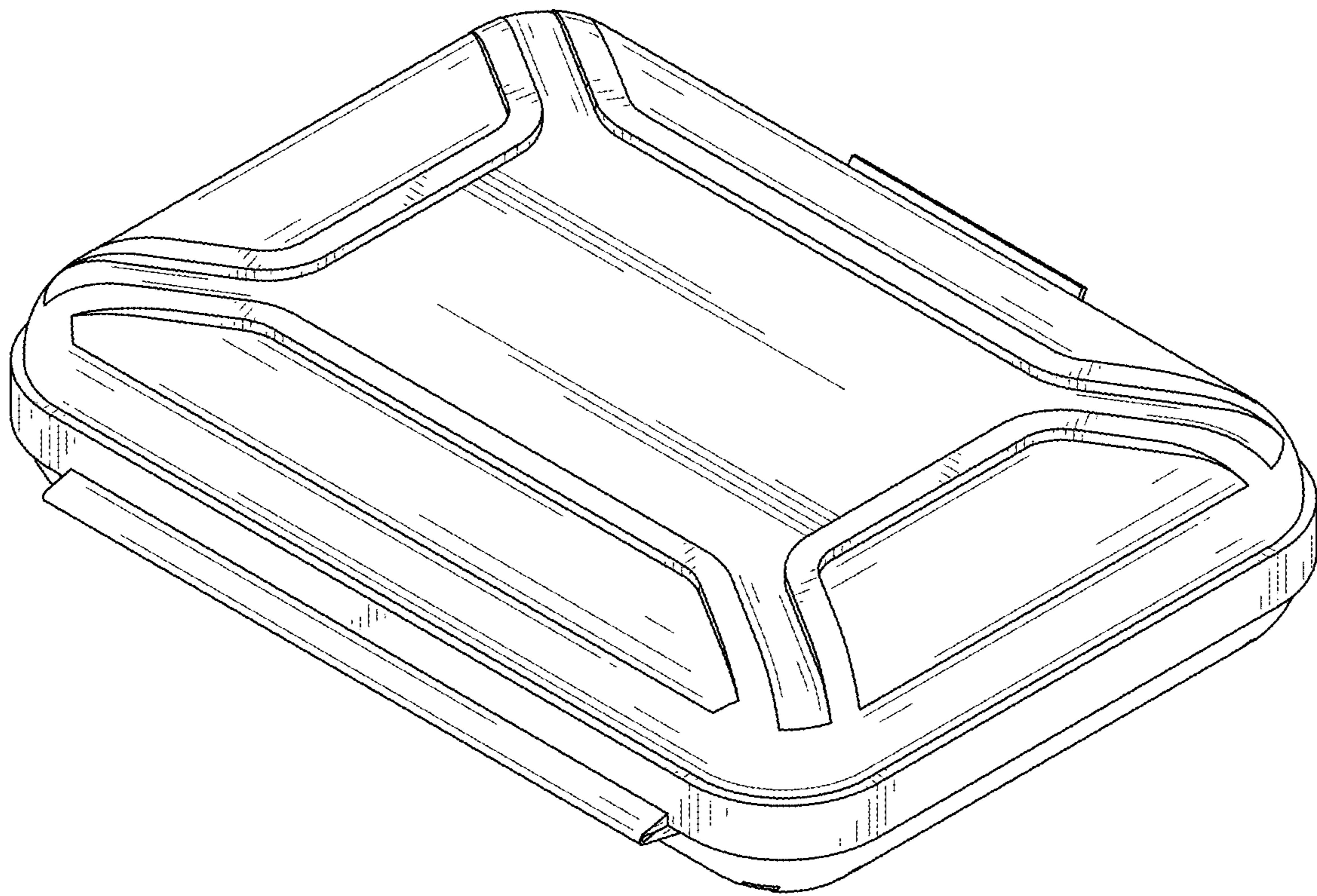


FIG. 2

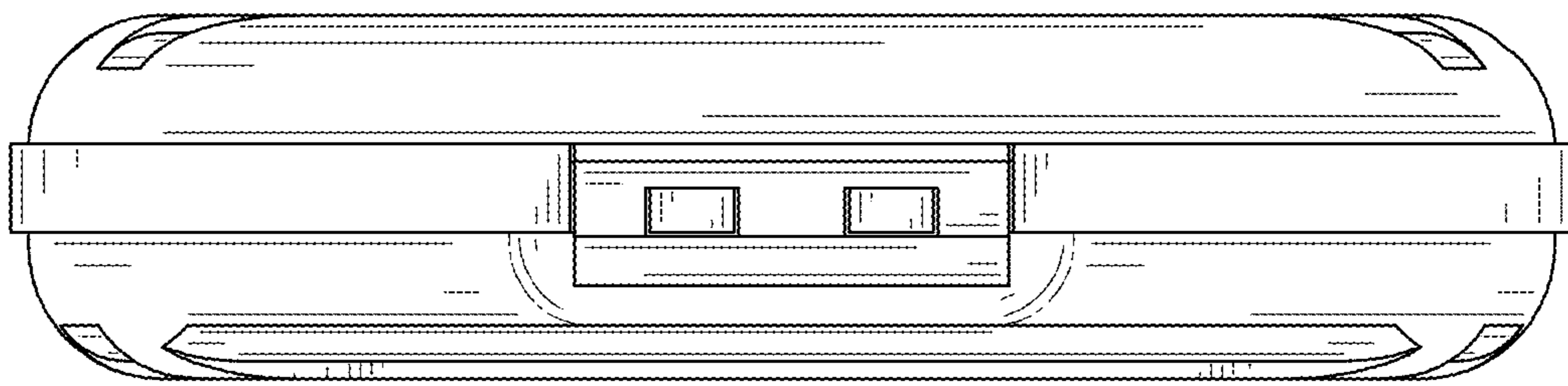


FIG. 3

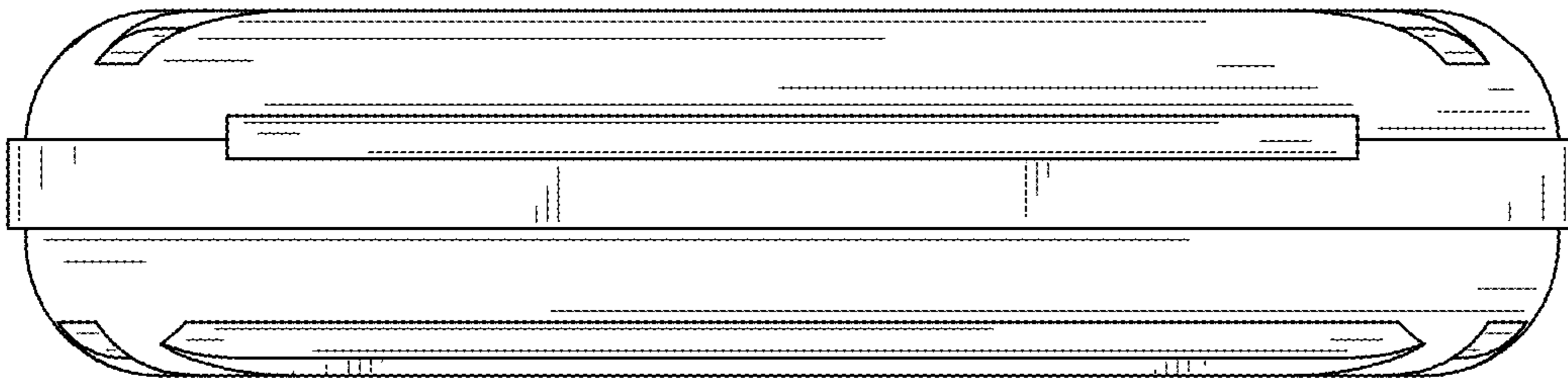


FIG. 4

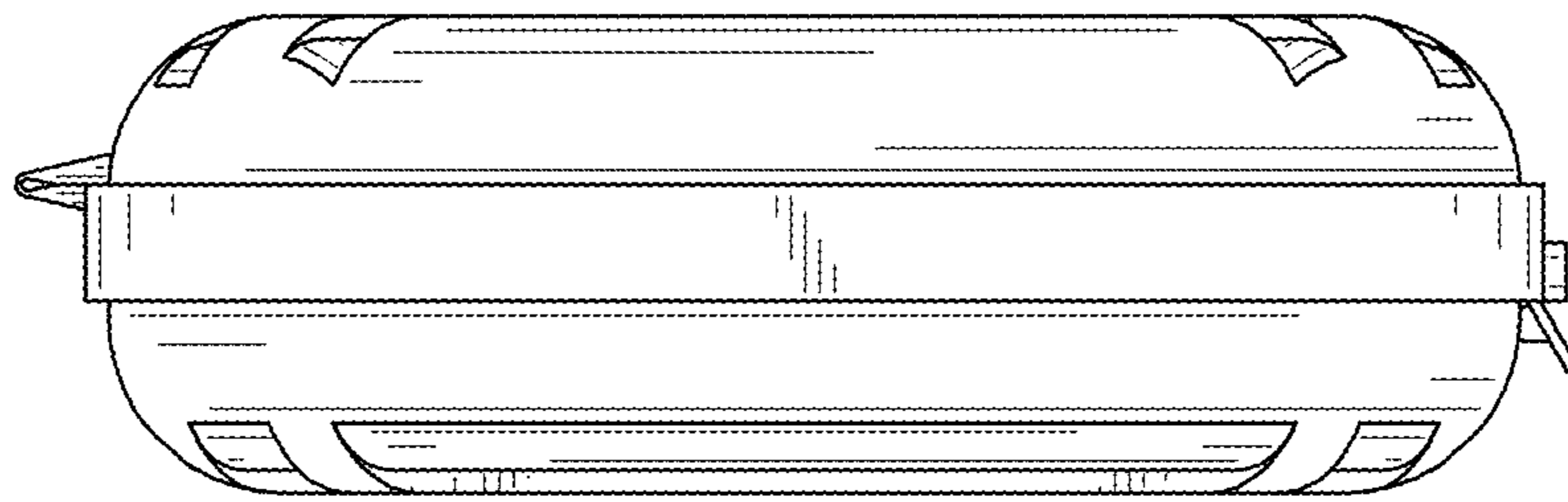


FIG. 5

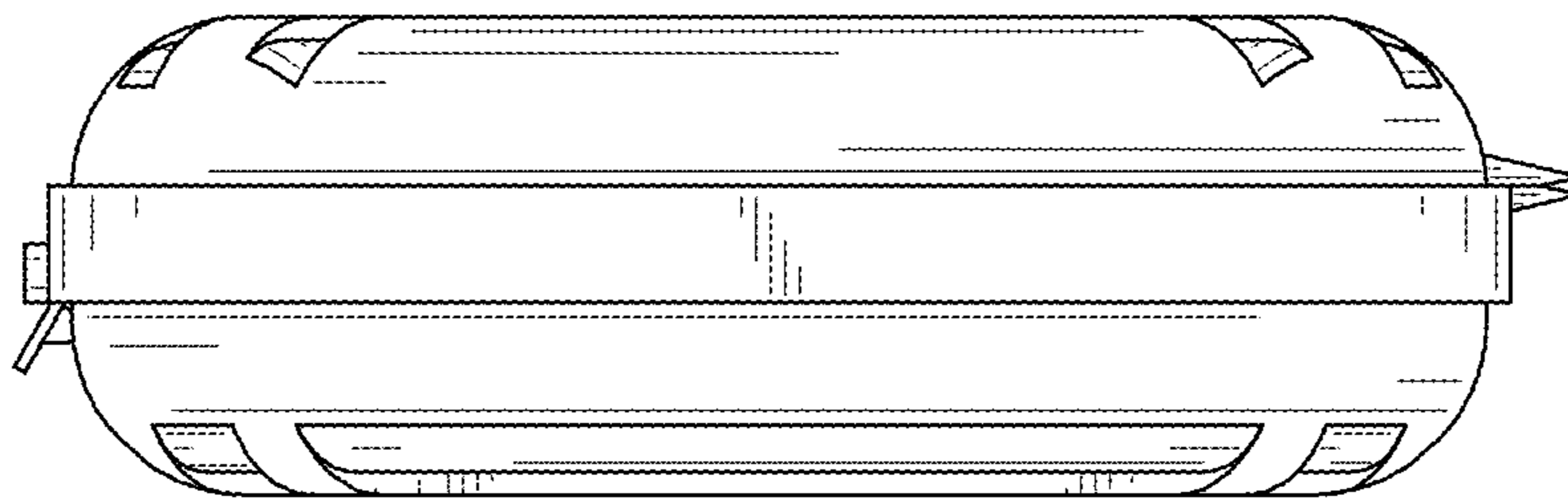


FIG. 6

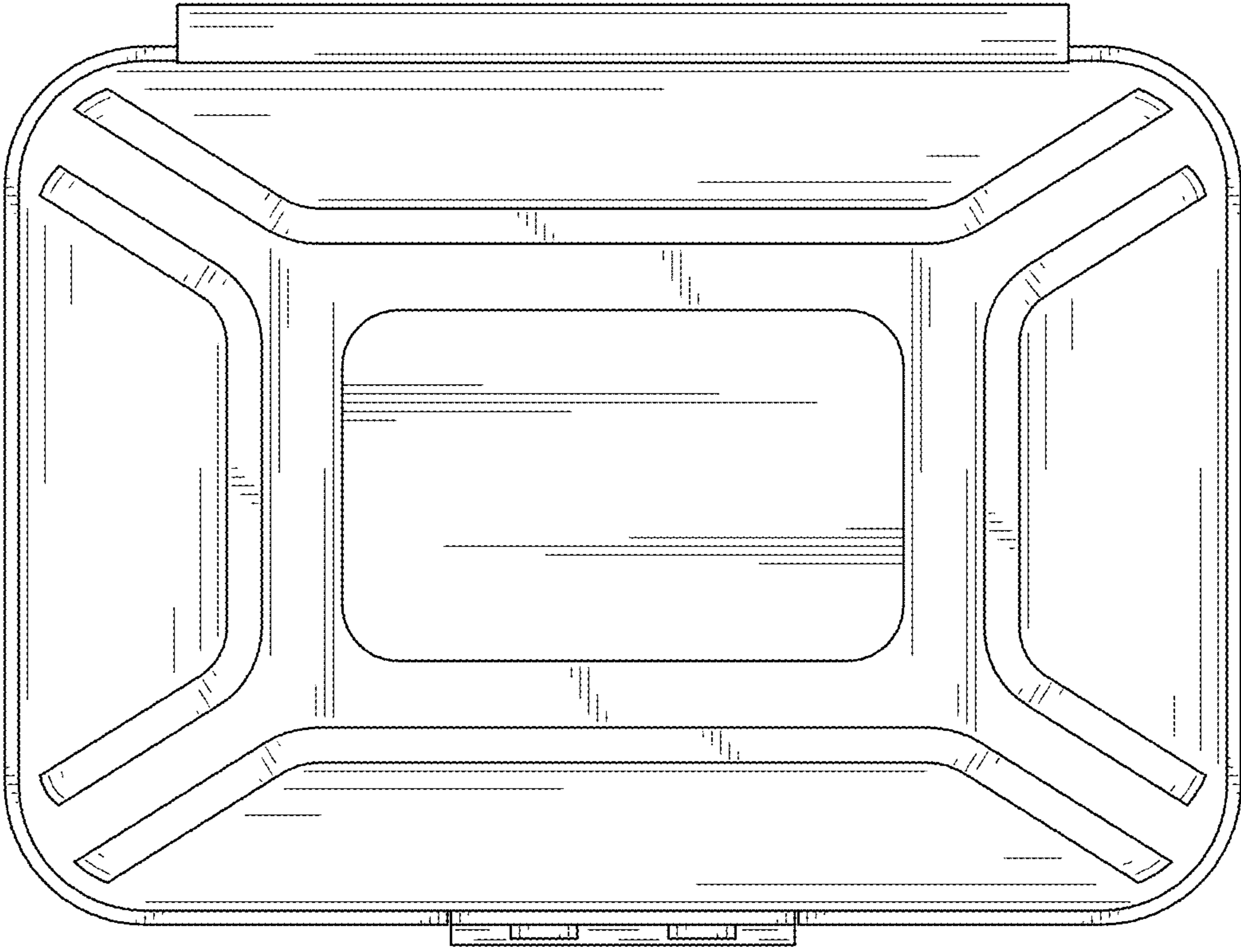


FIG. 7

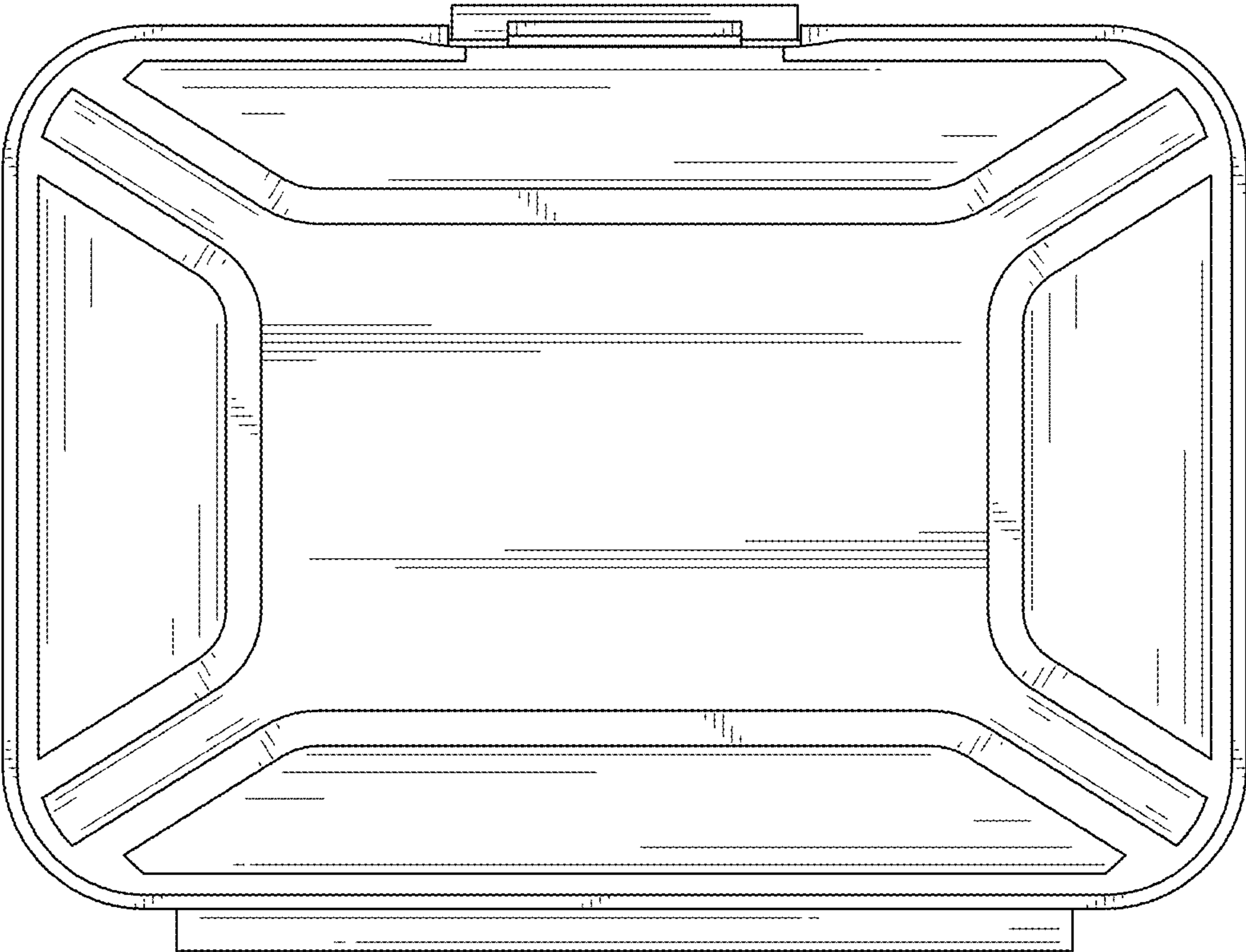


FIG. 8

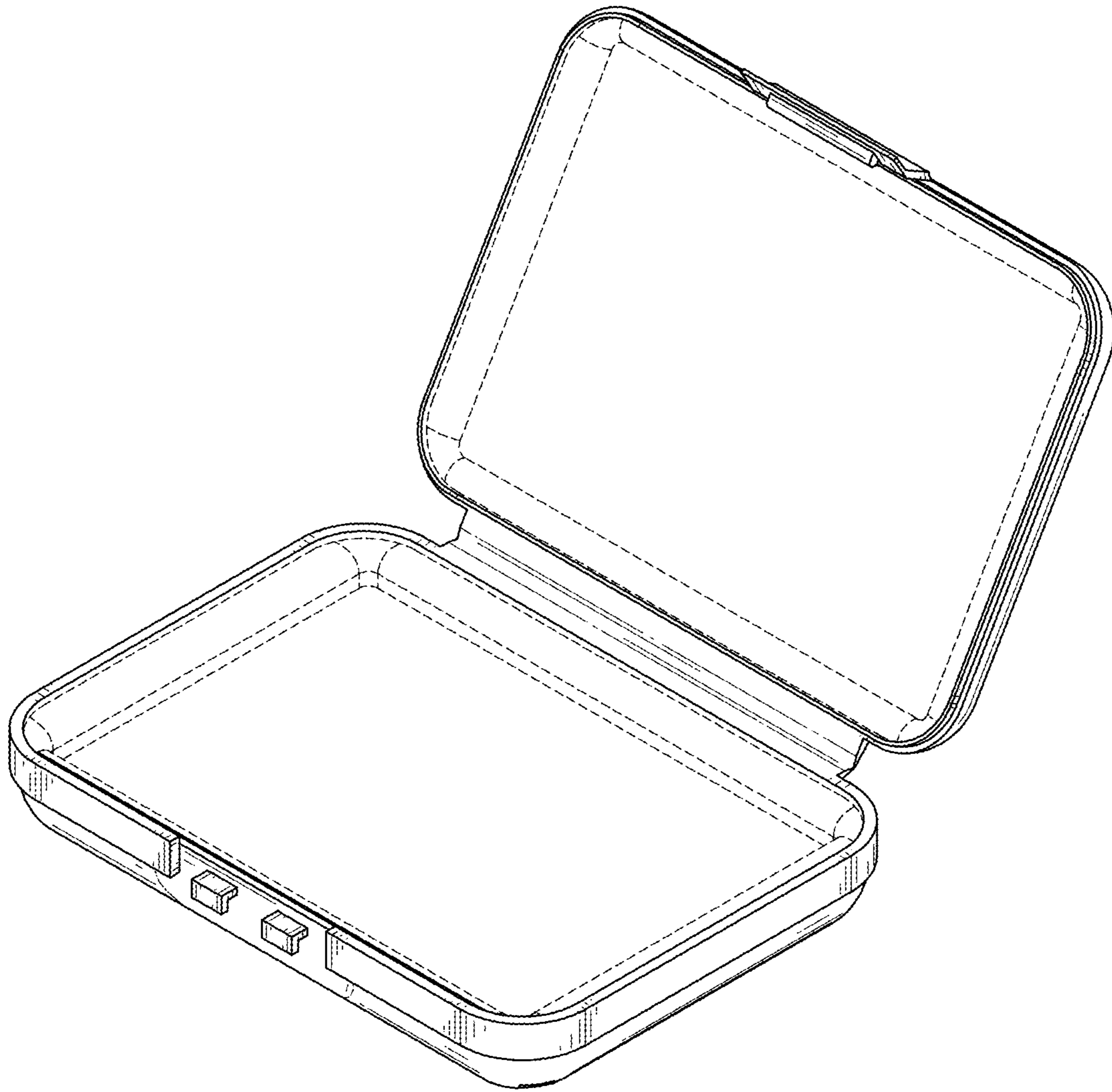


FIG. 9