



US00D805773S

(12) **United States Design Patent** (10) **Patent No.:** **US D805,773 S**
Chen (45) **Date of Patent:** **** Dec. 26, 2017**

(54) **WATERPROOF CASE**

(71) Applicant: **C J Housing Co., Ltd.**, New Taipei (TW)

(72) Inventor: **Ying-Fong Chen**, New Taipei (TW)

(73) Assignee: **C J Housing Co., Ltd.**, New Taipei (TW)

(**) Term: **15 Years**

(21) Appl. No.: **29/564,834**

(22) Filed: **May 16, 2016**

(30) **Foreign Application Priority Data**

Nov. 16, 2015 (TW) 104306377

(51) **LOC (10) Cl.** **03-01**

(52) **U.S. Cl.**
USPC **D3/294**

(58) **Field of Classification Search**

USPC D3/201, 218, 247, 269, 273, 301, 303,
D3/318-319, 215-217, 208, 212, 222,
D3/226, 249, 250, 293, 300, 294;
D14/238.1, 440, 203.3-203.7, 217, 240,
D14/248, 251, 447, 496, 218, 250, 252,
D14/253; 206/37, 39.7; D16/204
CPC B65D 11/12; A45C 2001/065; A45C
2001/067; A45C 11/00; A45C 13/02;
A45C 11/36; A45C 2011/002; A45C
13/008; A45C 11/22; A45C 11/38; A45F
2200/0525; A45F 2200/0516; A45F
5/021; A45F 5/02; H04B 1/3888; G03B
17/08

See application file for complete search history.

(56) **References Cited**

U.S. PATENT DOCUMENTS

D451,529 S * 12/2001 Vasquez D13/164
D453,177 S * 1/2002 Uehara D16/202

D615,116 S * 5/2010 Wase D14/218
D643,424 S * 8/2011 Richardson D14/253
D704,929 S * 5/2014 Chu D3/201
D707,669 S * 6/2014 Guzman D14/250
D717,287 S * 11/2014 Macrina D14/250
D717,288 S * 11/2014 Adams D14/250
D742,858 S * 11/2015 Morisawa D14/218
D748,608 S * 2/2016 Kuo D14/218
9,503,146 B1 * 11/2016 Chen H04B 1/3888
2013/0082963 A1 * 4/2013 Chu G03B 17/08
345/173
2014/0191644 A1 * 7/2014 Chaney A45C 11/00
312/327
2017/0195535 A1 * 7/2017 Schofield H04N 5/2256

* cited by examiner

Primary Examiner — Anhdao Doan

Assistant Examiner — Mary Malley

(74) *Attorney, Agent, or Firm* — Muncy, Geissler, Olds & Lowe, P.C.

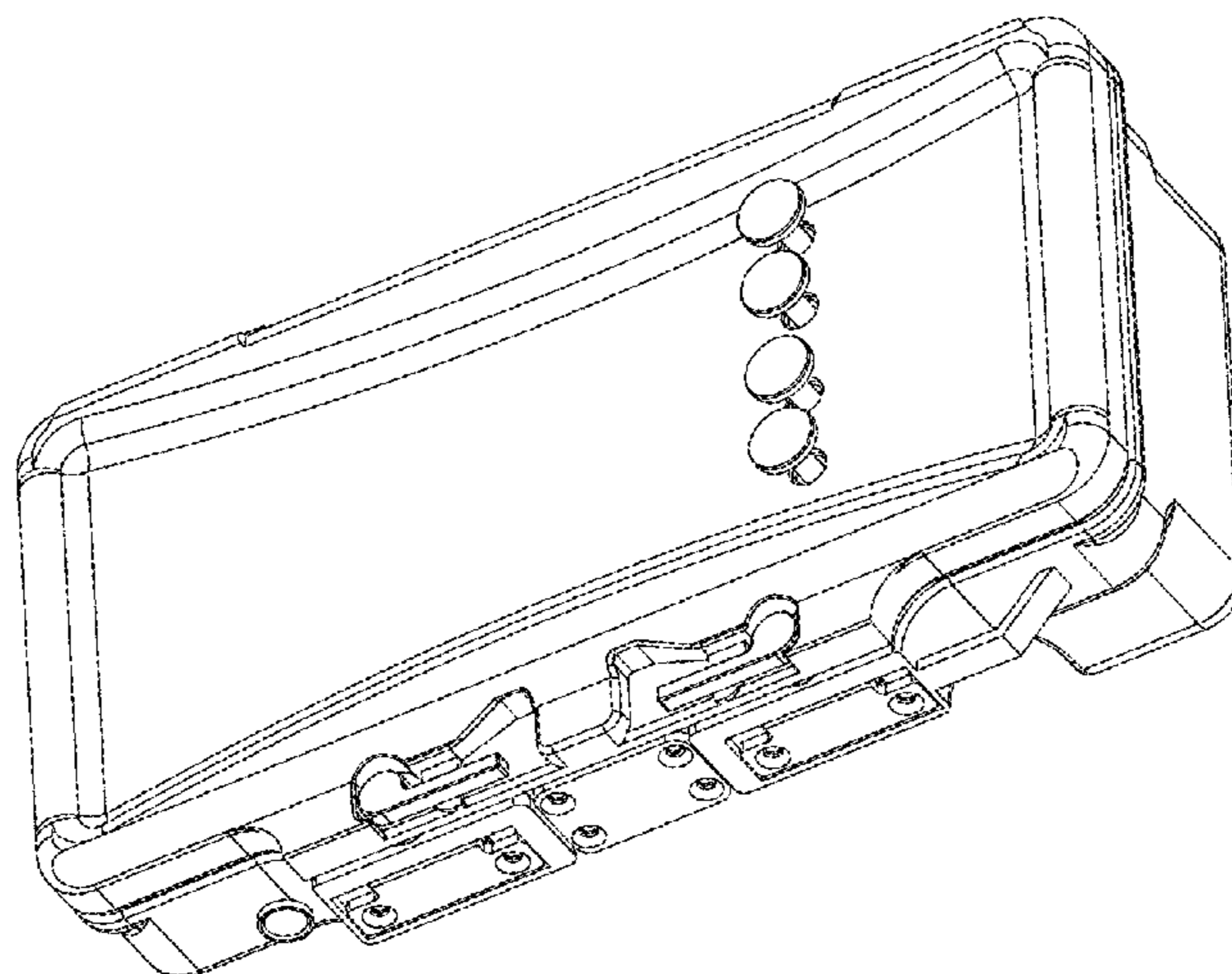
(57) **CLAIM**

The ornamental design for a waterproof case, as shown and described.

DESCRIPTION

FIG. 1 is a front, top, right perspective view of a waterproof case showing my new design;
FIG. 2 is a front elevational view thereof;
FIG. 3 is a rear elevational view thereof;
FIG. 4 is a left side elevational view thereof;
FIG. 5 is a right side elevational view thereof;
FIG. 6 is a top plan view thereof;
FIG. 7 is a bottom plan view thereof;
FIG. 8 is a rear, bottom, left perspective view thereof; and,
FIG. 9 is a front, bottom, right perspective view thereof.

1 Claim, 9 Drawing Sheets



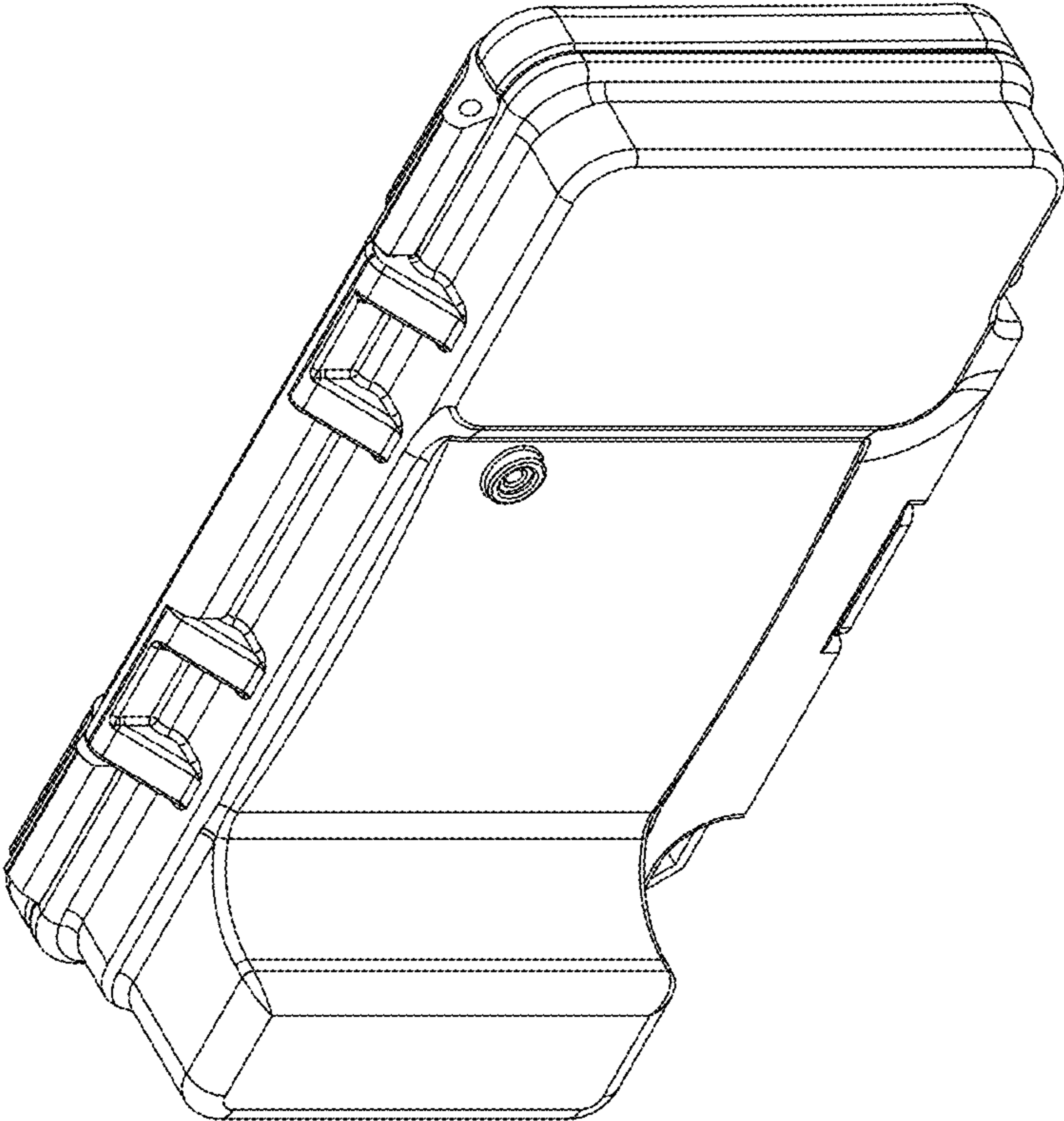


FIG. 1

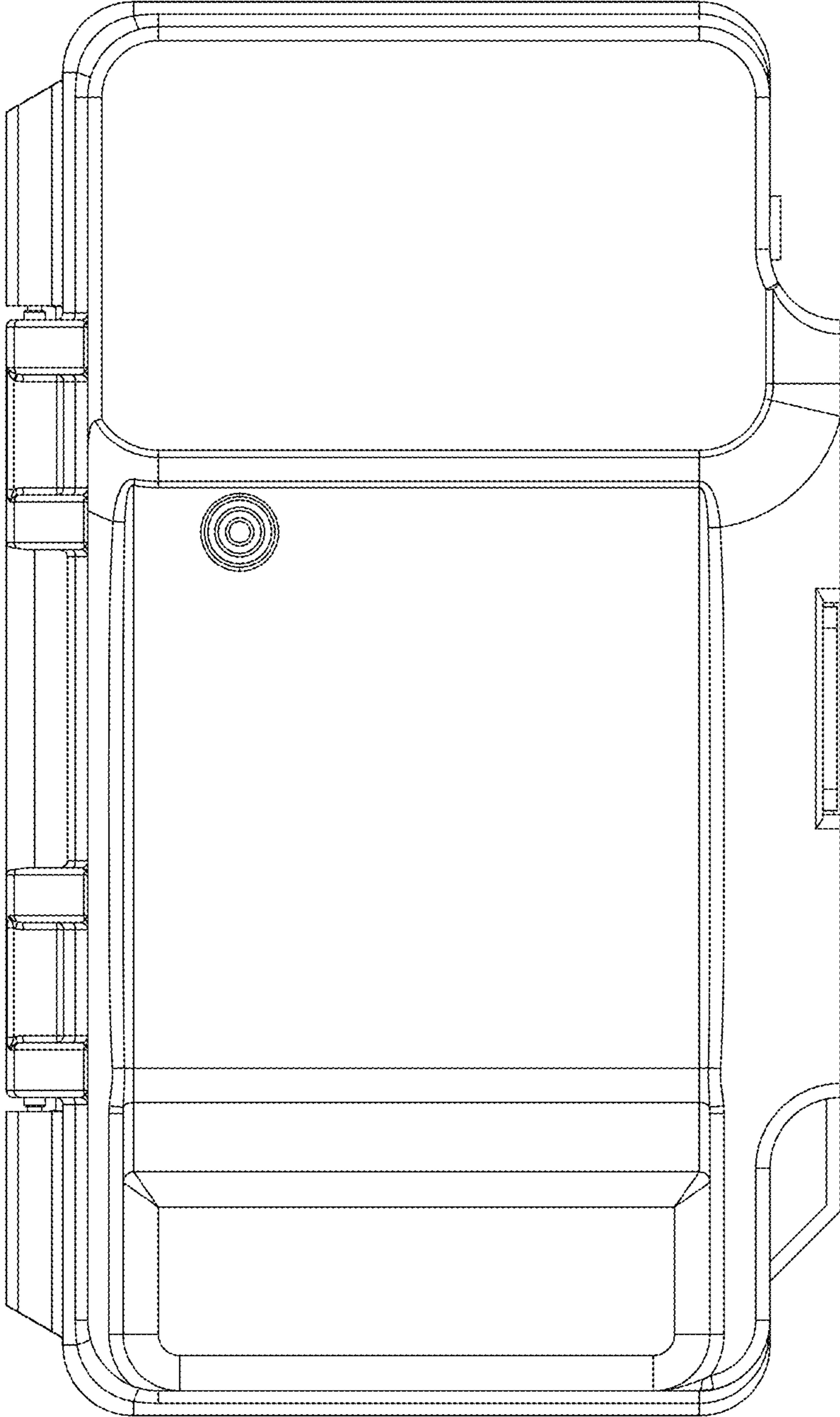


FIG. 2

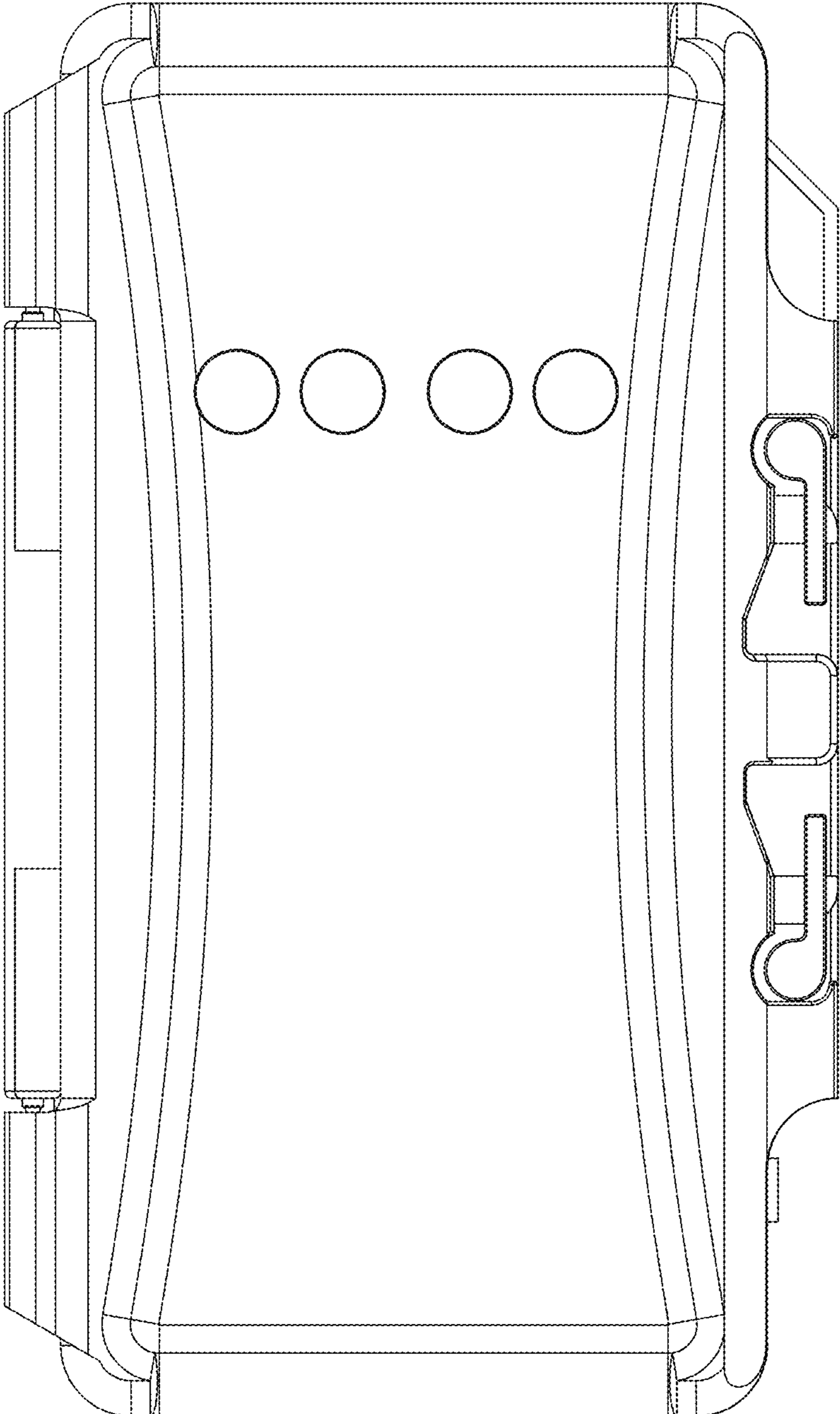


FIG. 3

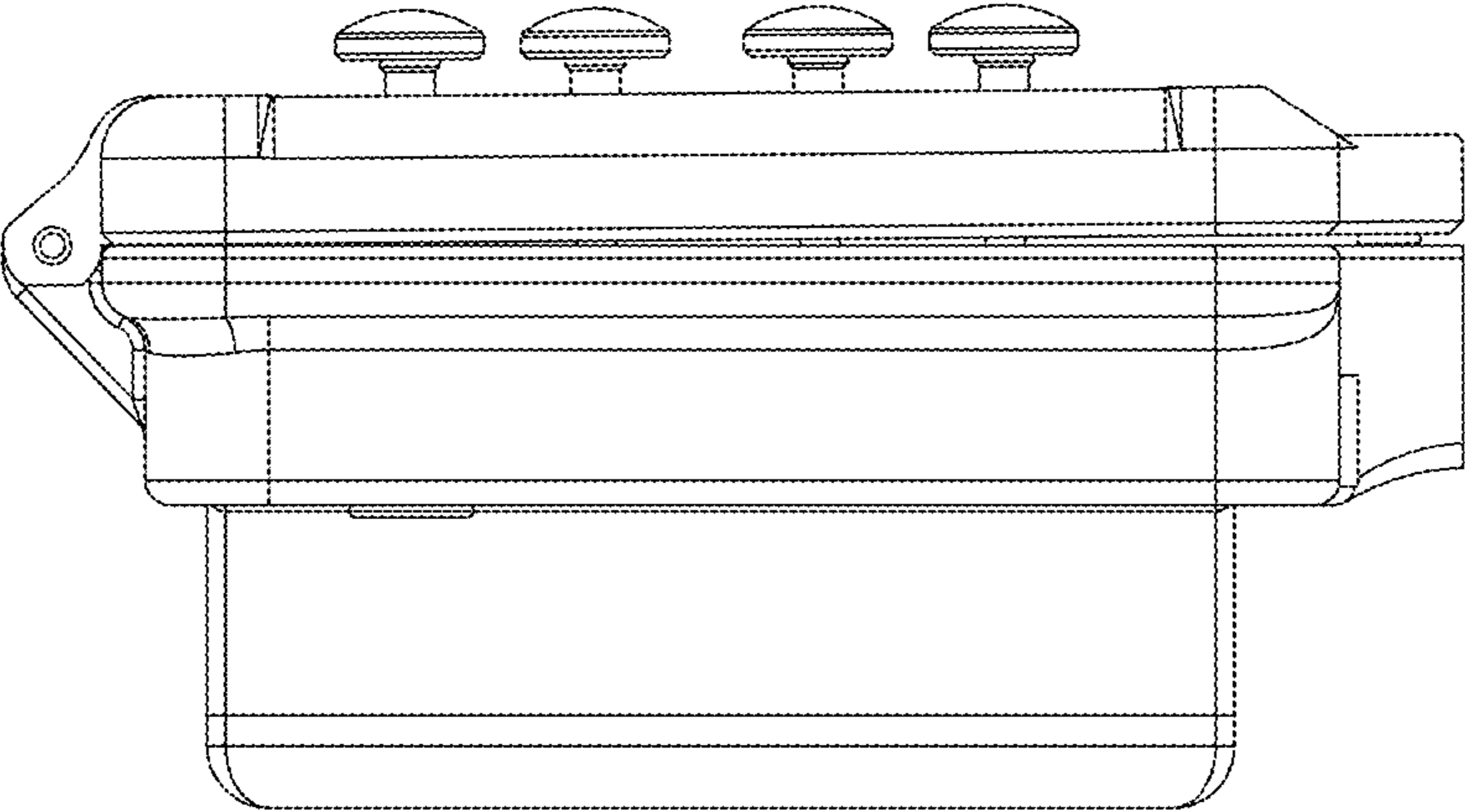


FIG. 4

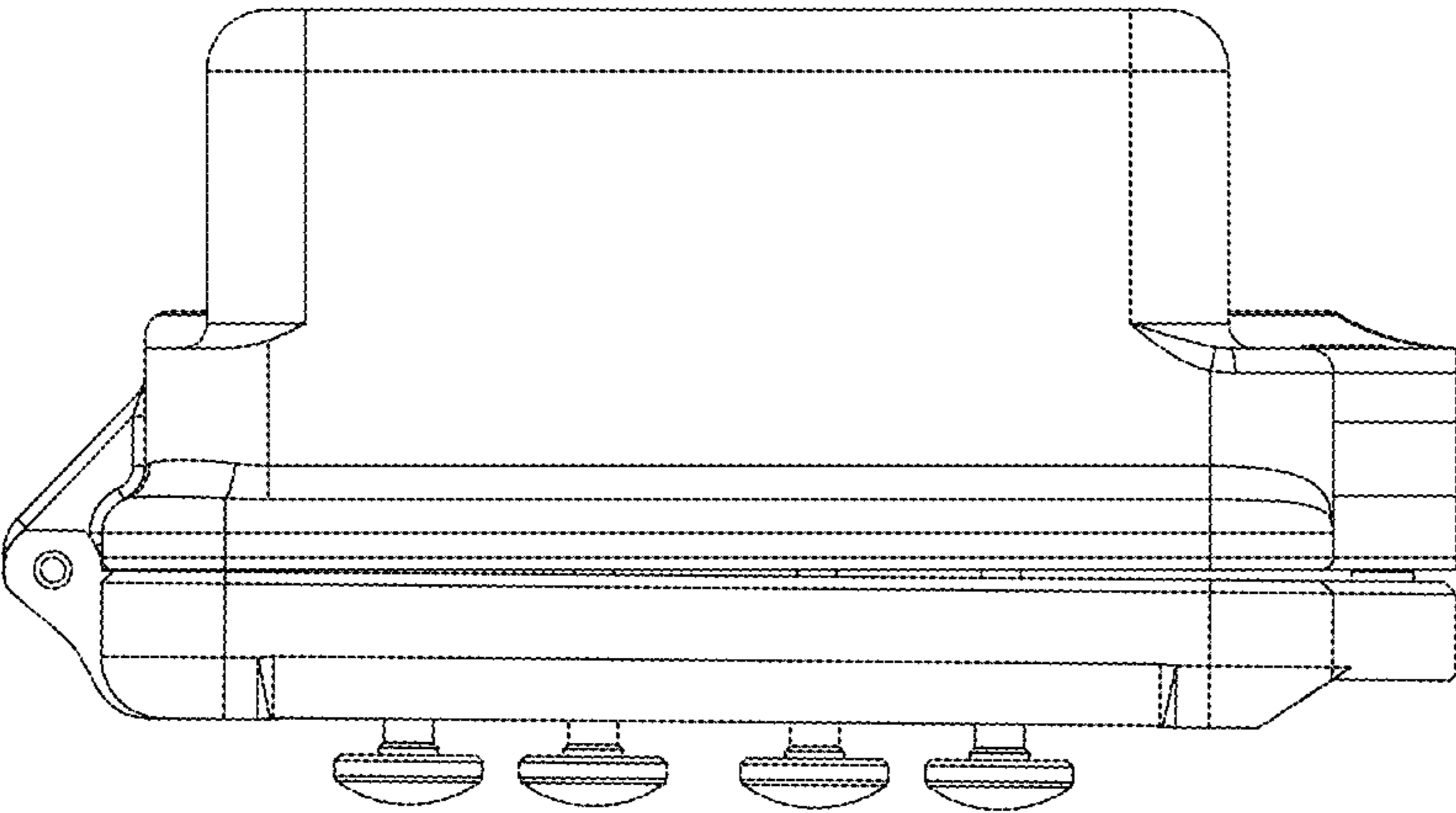


FIG. 5

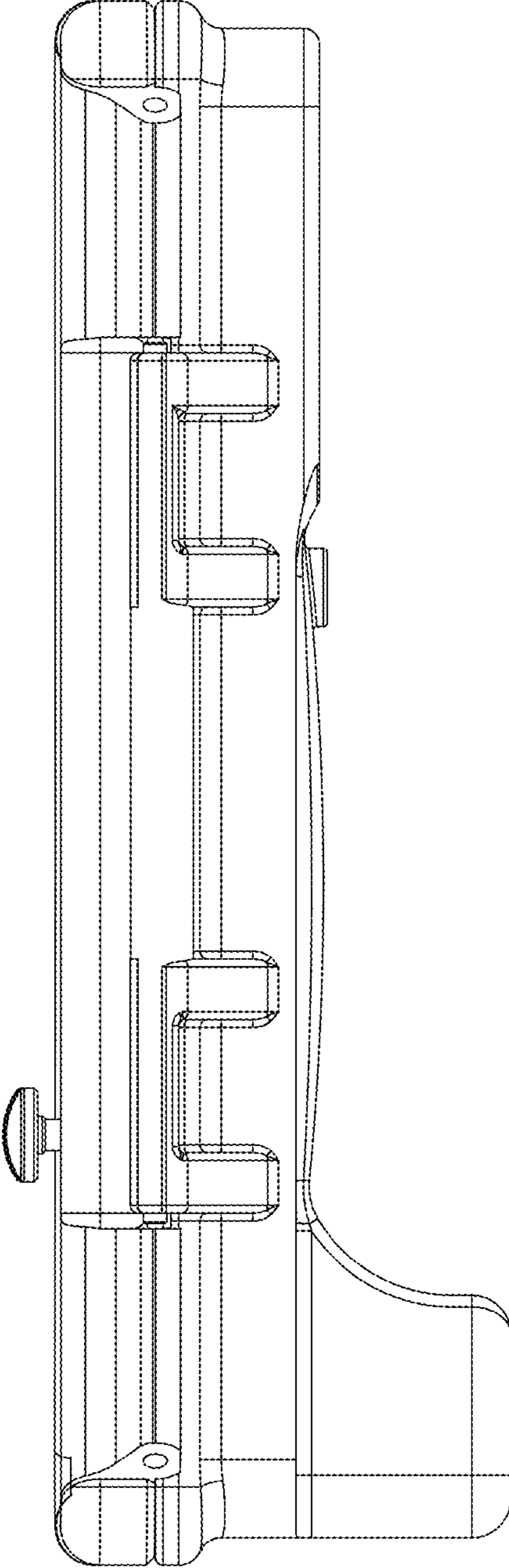


FIG. 6

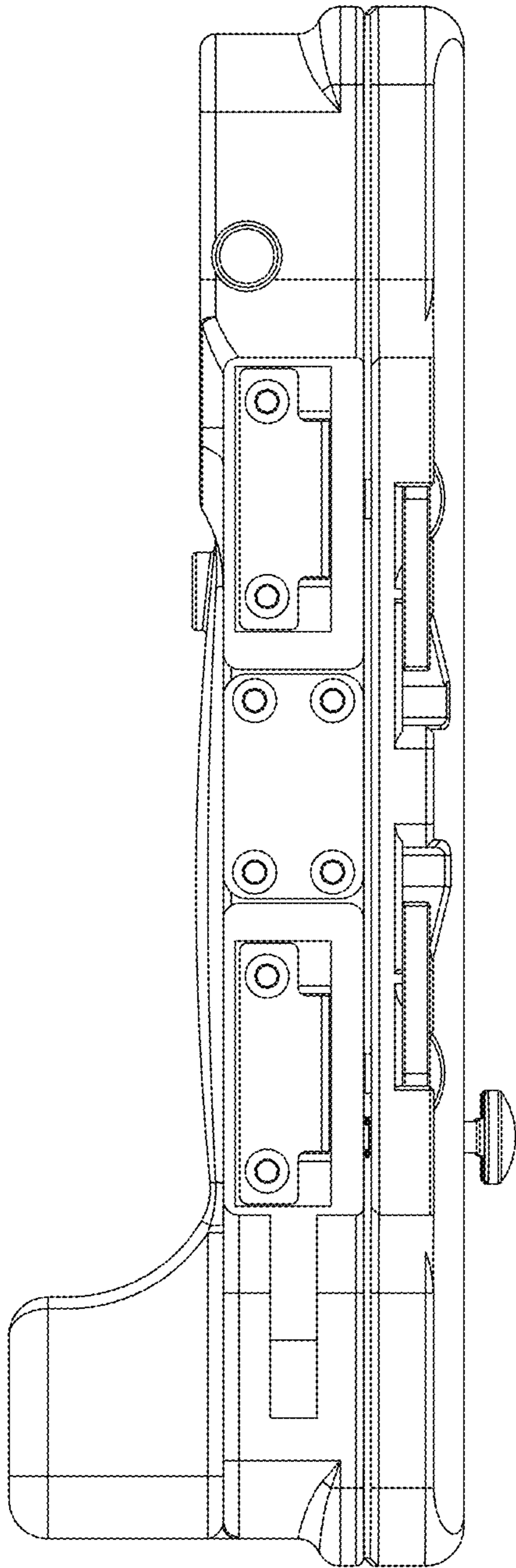


FIG. 7

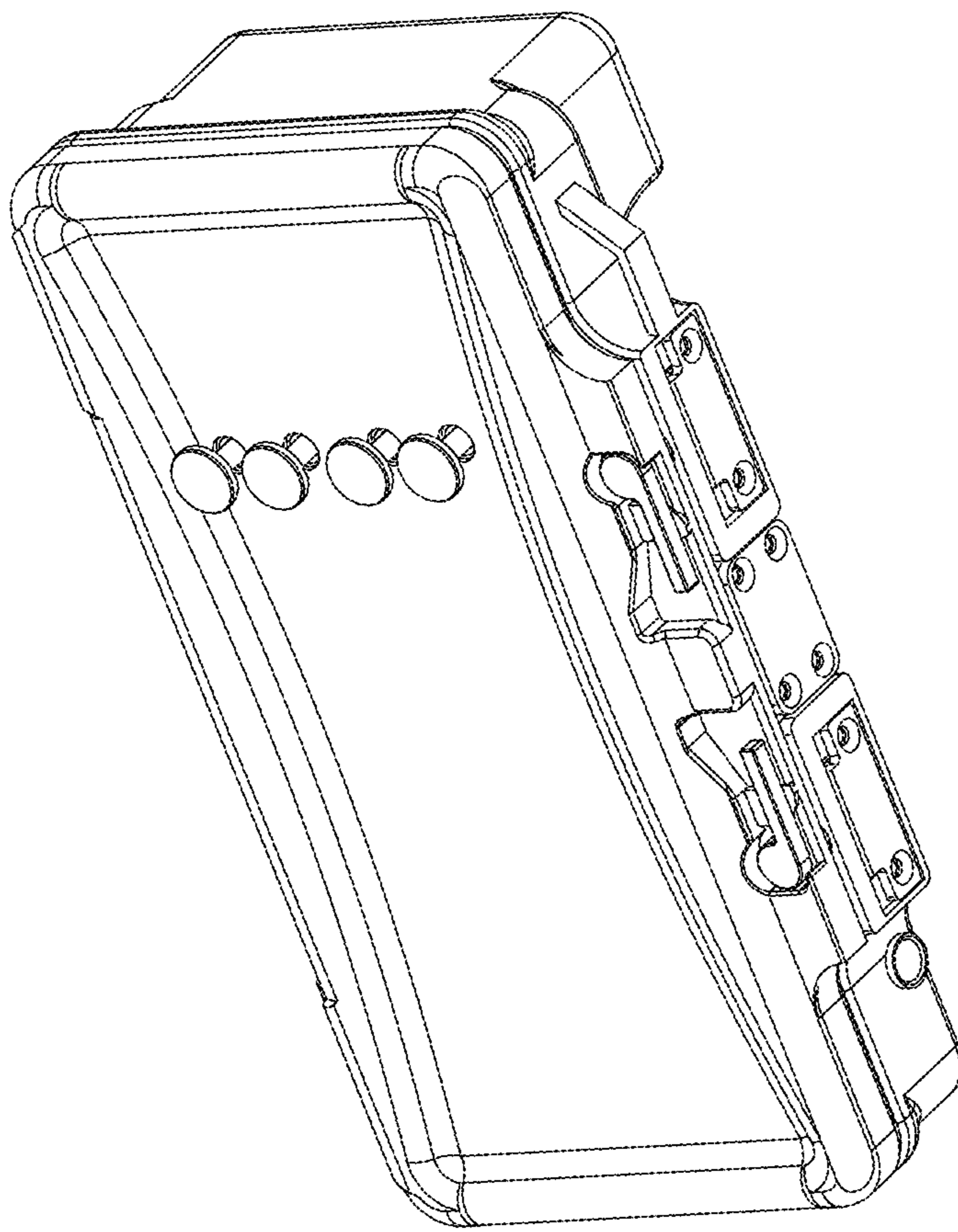


FIG. 8

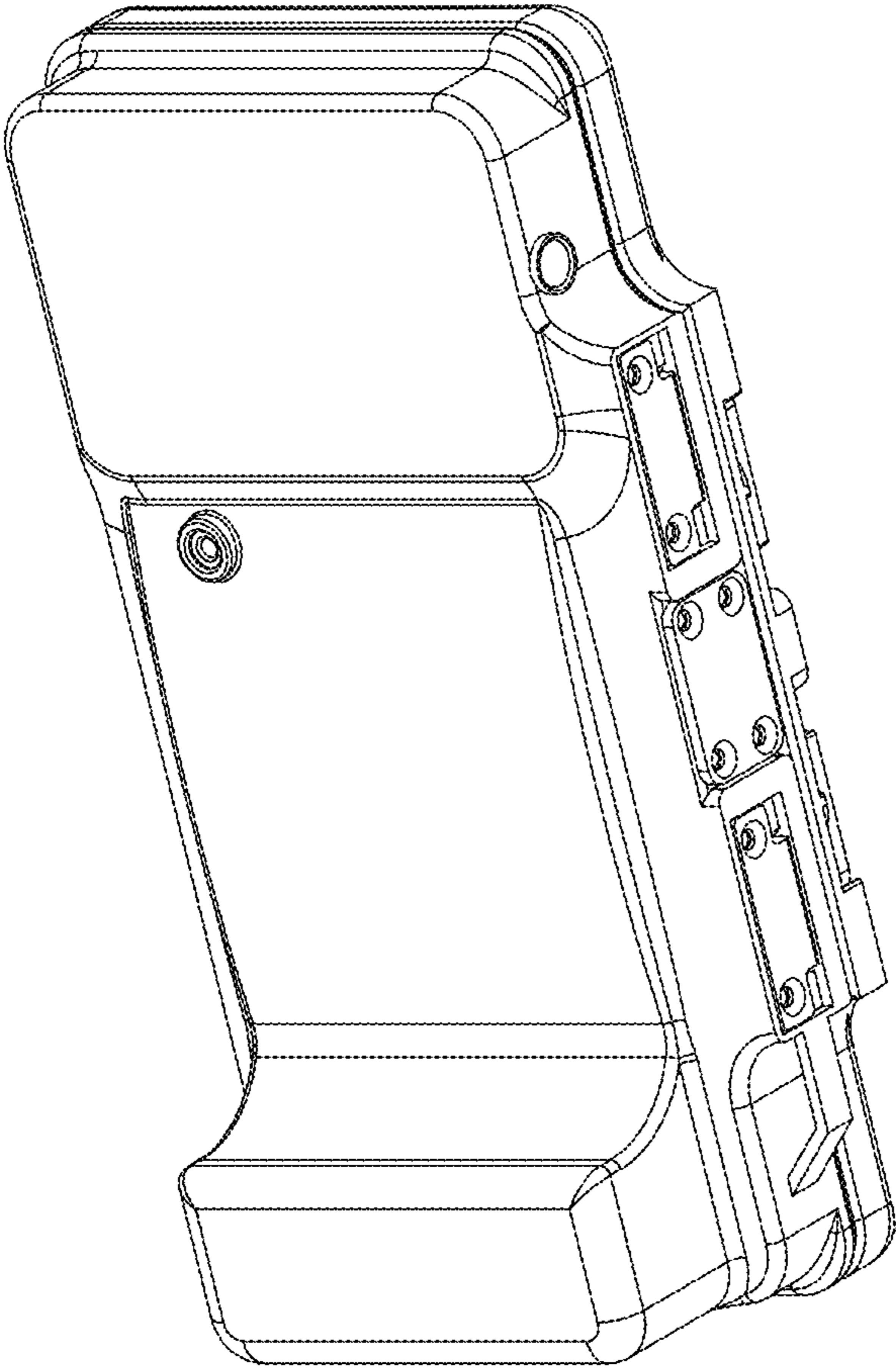


FIG. 9