



US00D805770S

(12) **United States Design Patent** (10) **Patent No.:** **US D805,770 S**
Justiss (45) **Date of Patent:** **** Dec. 26, 2017**

(54) **BI-FOLD REVERSIBLE WALLET**
(71) Applicant: **Nate Justiss**, Charleston, SC (US)
(72) Inventor: **Nate Justiss**, Charleston, SC (US)
(73) Assignee: **Distil Union, LLC**, Charleston, SC (US)

(**) Term: **15 Years**

(21) Appl. No.: **29/579,910**

(22) Filed: **Oct. 4, 2016**

(51) **LOC (10) Cl.** **03-01**

(52) **U.S. Cl.**
USPC **D3/249**

(58) **Field of Classification Search**
USPC D3/249
CPC A45C 1/06; A45C 3/08
See application file for complete search history.

(56) **References Cited**

U.S. PATENT DOCUMENTS

D584,895 S *	1/2009	Holzner	D3/247
D723,800 S *	3/2015	Ziegler	D3/247
D725,385 S *	3/2015	Ming	D3/247
D767,888 S *	10/2016	Kim	D3/249

* cited by examiner

Primary Examiner — Holly H Baynham

(74) *Attorney, Agent, or Firm* — Finch Paolino, LLC;
Gregory Finch

(57) **CLAIM**

The ornamental design for a bi-fold reversible wallet, as shown and described.

DESCRIPTION

FIG. 1 is an isometric view of the bi-fold reversible wallet in a closed configuration embodying the present ornamental design exposing a first surface of the bi-fold reversible wallet;

FIG. 2 is front view thereof with the pull-tab in a stowed configuration;

FIG. 3 is a rear view thereof showing a strap and a pull tab aperture;

FIG. 4 is a top plan view thereof showing the claimed bi-fold reversible wallet in an open configuration;

FIG. 5 is a bottom plan view thereof showing the claimed bi-fold reversible wallet in an open configuration;

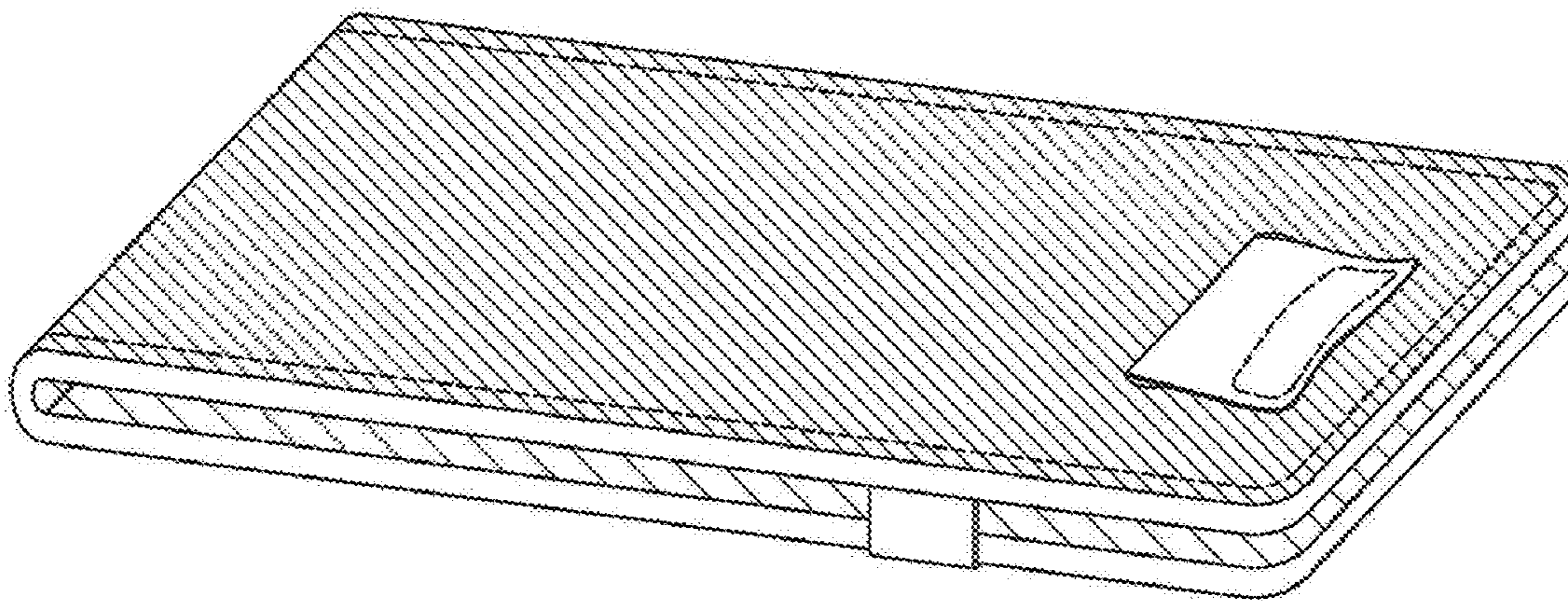
FIG. 6 is a left side view thereof;

FIG. 7 is a right side view thereof; and,

FIG. 8 is an isometric view of the bi-fold reversible wallet in a closed configuration embodying the present ornamental design exposing a second surface of the bi-fold reversible wallet.

The patterns shown in the drawings represent texture. The broken lines shown in the drawings around the perimeter of the claimed bi-fold reversible wallet represent stitching. The broken lines on the pull tab of the claimed bi-fold reversible wallet shown in FIGS. 1, 2, and 8 also represent stitching.

1 Claim, 7 Drawing Sheets



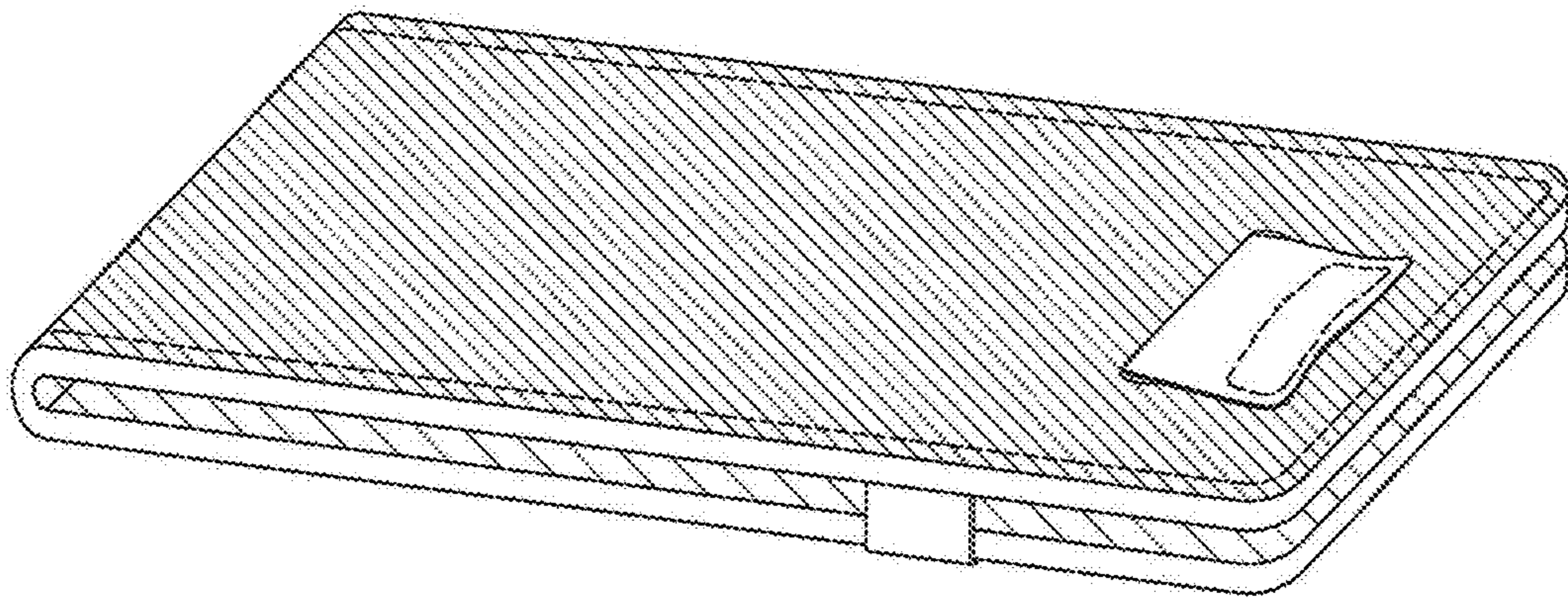


FIG. 1

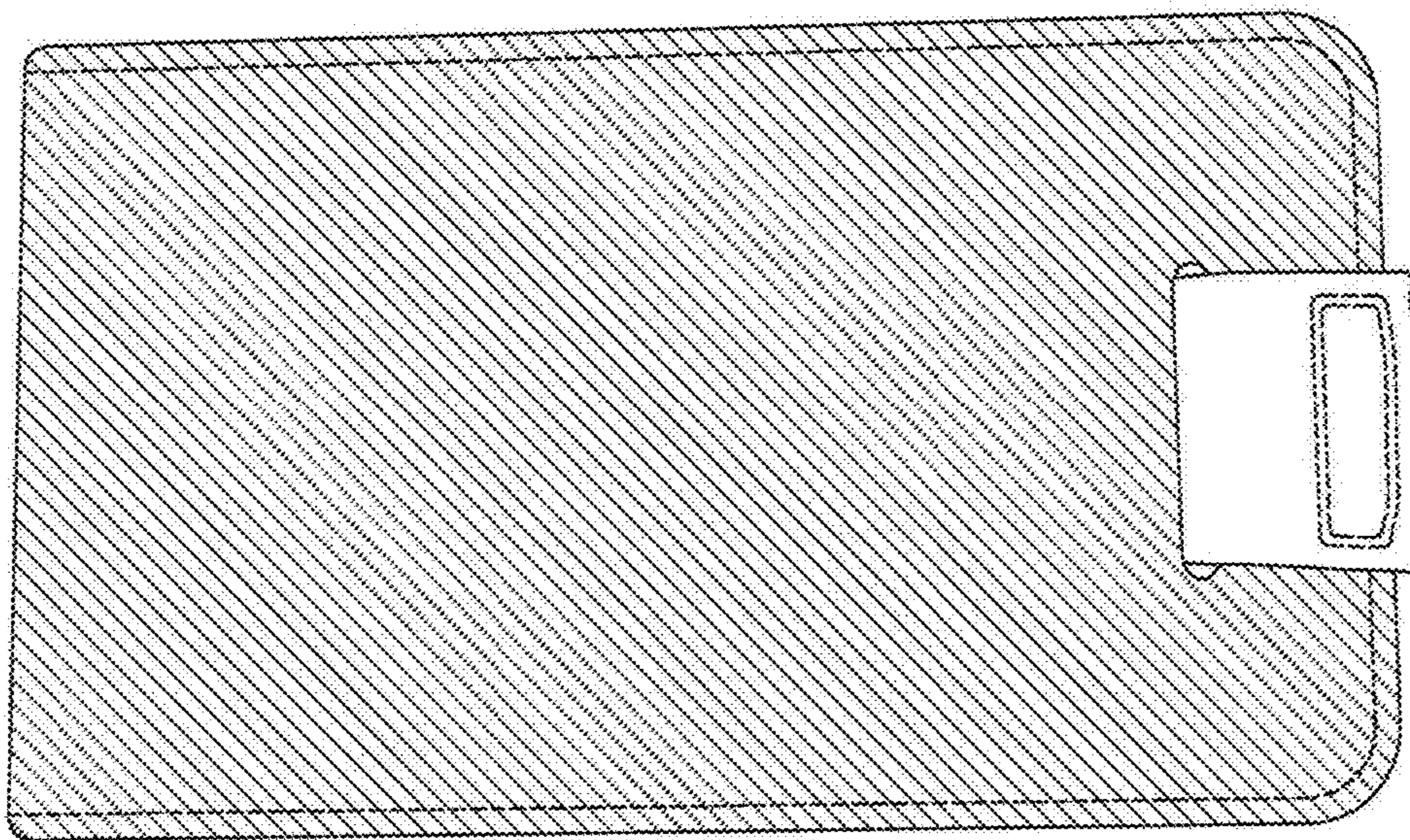


FIG. 2

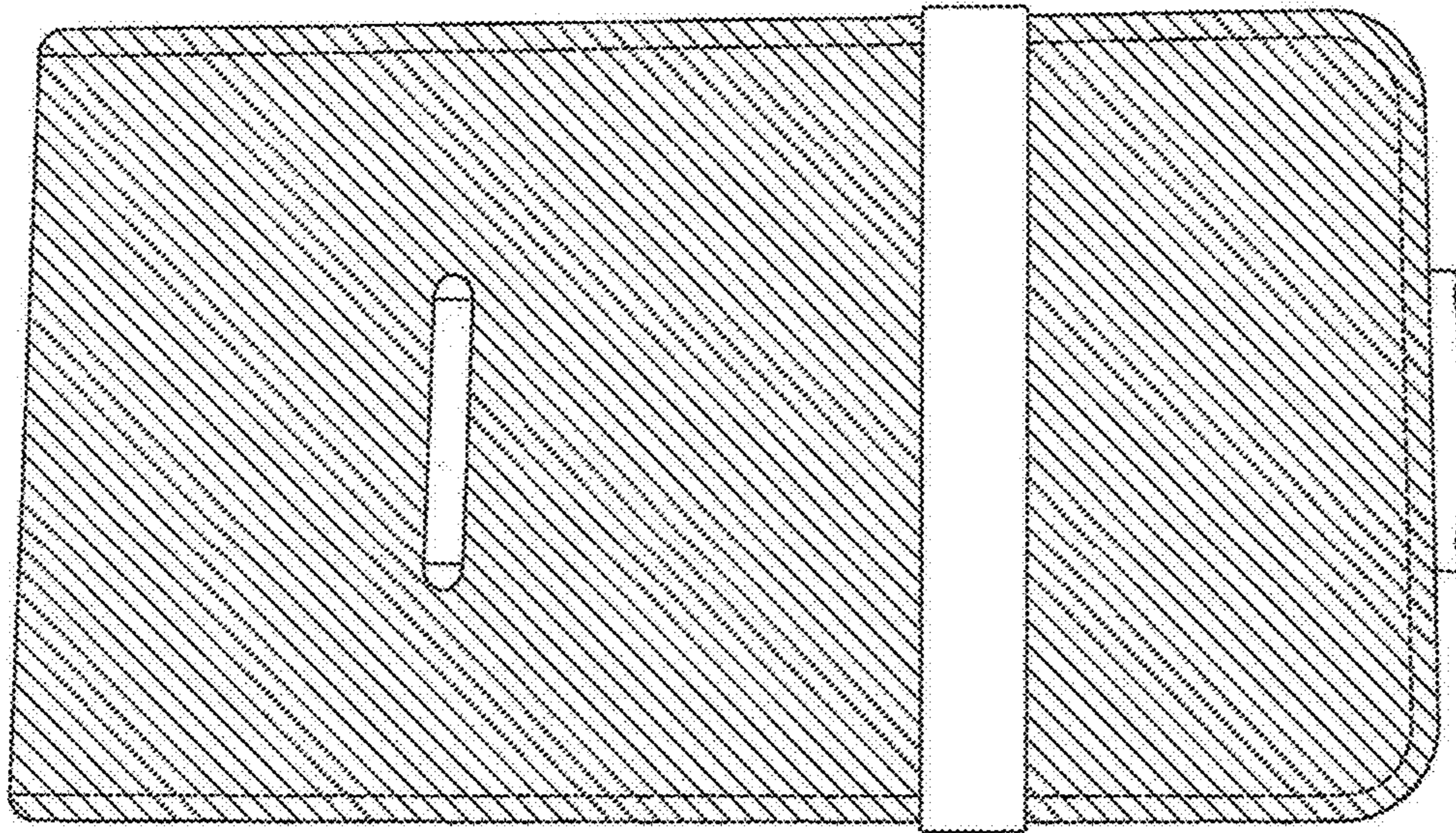


FIG. 3

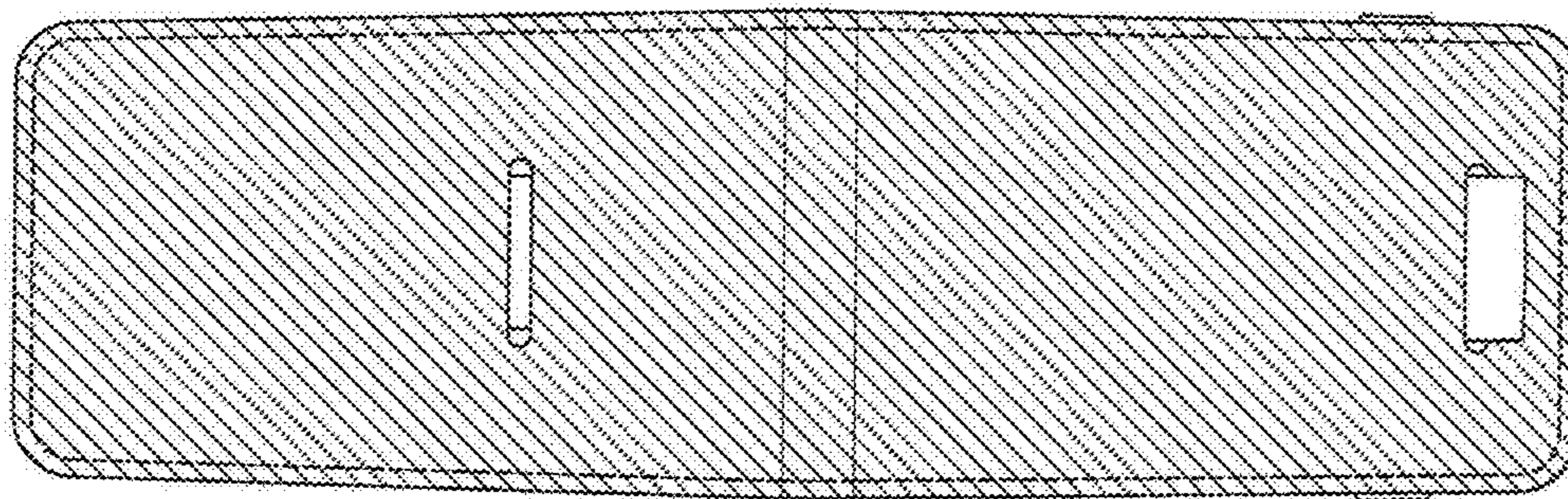


FIG. 4

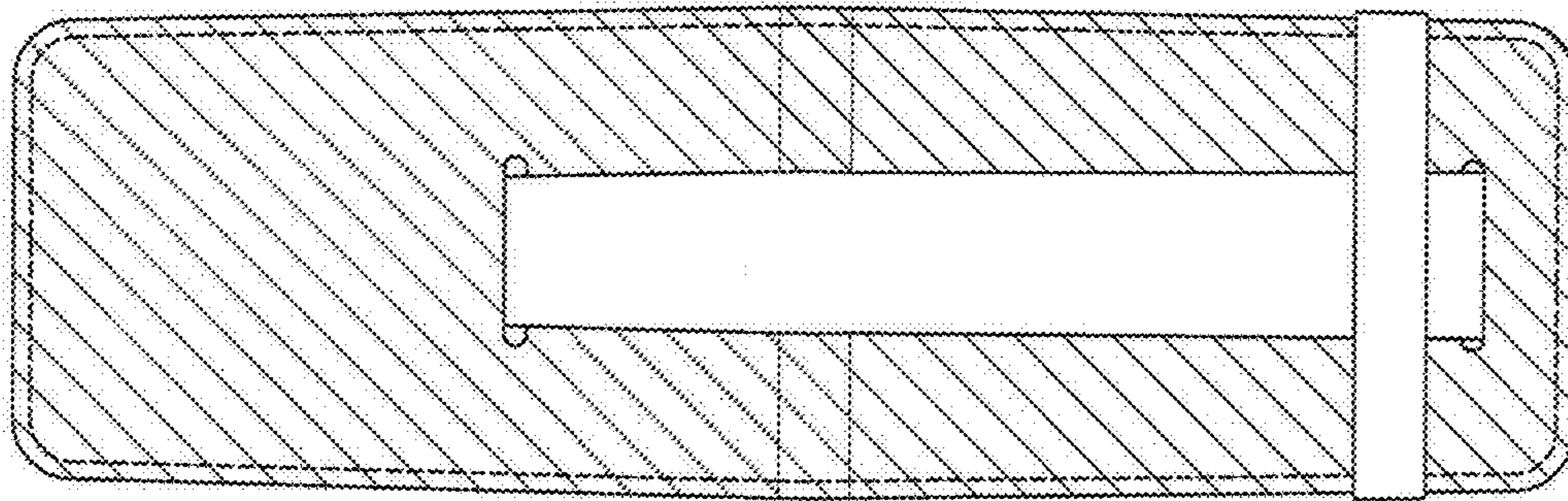


FIG. 5



FIG. 7

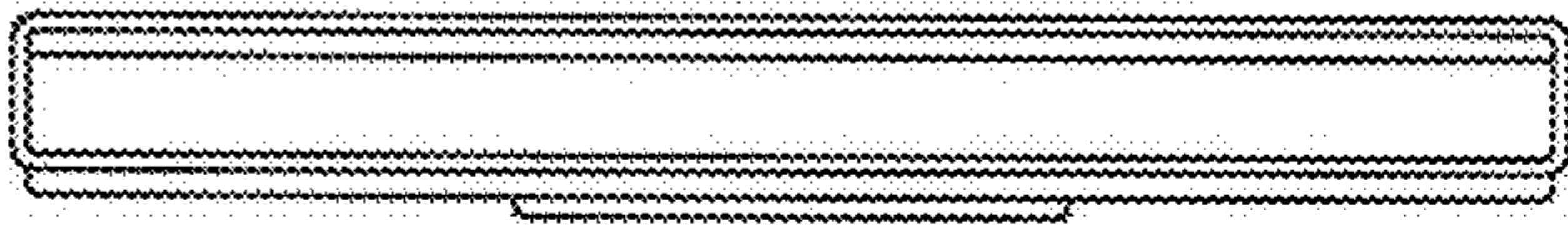


FIG. 6

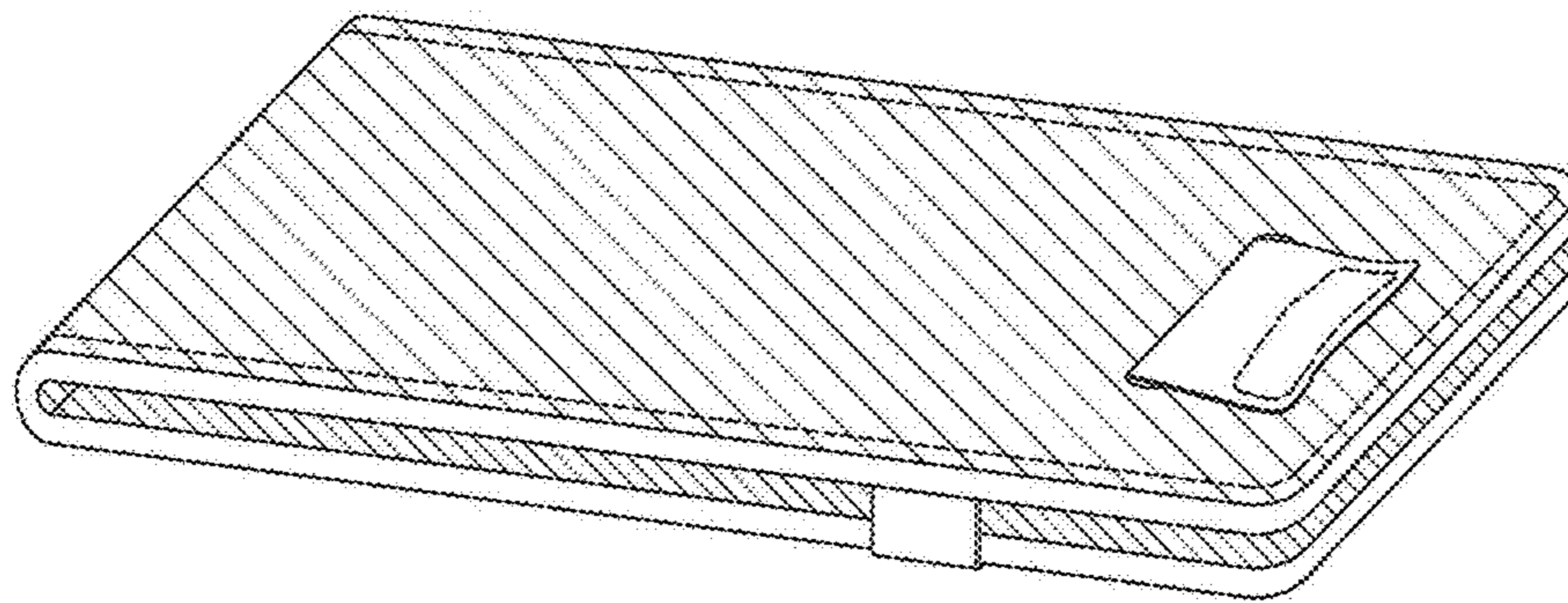


FIG. 8