



US00D805769S

(12) **United States Design Patent**
Jackel et al.

(10) **Patent No.:** **US D805,769 S**

(45) **Date of Patent:** **** Dec. 26, 2017**

(54) **PACKAGE FOR STORING AN ITEM SUCH AS MONEY**

(71) Applicants: **Murray Lloyd Jackel**, Thomastown (AU); **Matthew Nick Flammaea**, Thomastown (AU)

(72) Inventors: **Murray Lloyd Jackel**, Thomastown (AU); **Matthew Nick Flammaea**, Thomastown (AU)

(**) Term: **15 Years**

(21) Appl. No.: **29/572,687**

(22) Filed: **Jul. 29, 2016**

(51) **LOC (10) Cl.** **03-01**

(52) **U.S. Cl.**
USPC **D3/247**

(58) **Field of Classification Search**
USPC D3/247, 249–253
CPC A45C 1/06; A45C 3/08
See application file for complete search history.

(56) **References Cited**

U.S. PATENT DOCUMENTS

D435,339 S * 12/2000 Cleveland A45C 1/06
D3/247
D622,958 S * 9/2010 Moore D3/247

D654,687 S * 2/2012 Miller D3/247
D694,007 S * 11/2013 D'Amore D3/247
D702,938 S * 4/2014 Morehead D3/247
D706,537 S * 6/2014 Brandt D3/247
D728,230 S * 5/2015 Oas D3/247
D745,274 S * 12/2015 Minn D3/247
D760,496 S * 7/2016 Schioll D3/247
D768,383 S * 10/2016 Wu D3/247

* cited by examiner

Primary Examiner — Holly H Baynham

(74) *Attorney, Agent, or Firm* — Stevens & Showalter, LLP

(57) **CLAIM**

The ornamental design for a package for storing an item such as money, as shown and described.

DESCRIPTION

FIG. 1 is a perspective view of the package for storing an item such as money taken from the top right side at the front thereof;

FIG. 2 is a top plan view thereof;

FIG. 3 is a bottom plan view thereof, rotated horizontally from the top plan view shown in FIG. 2;

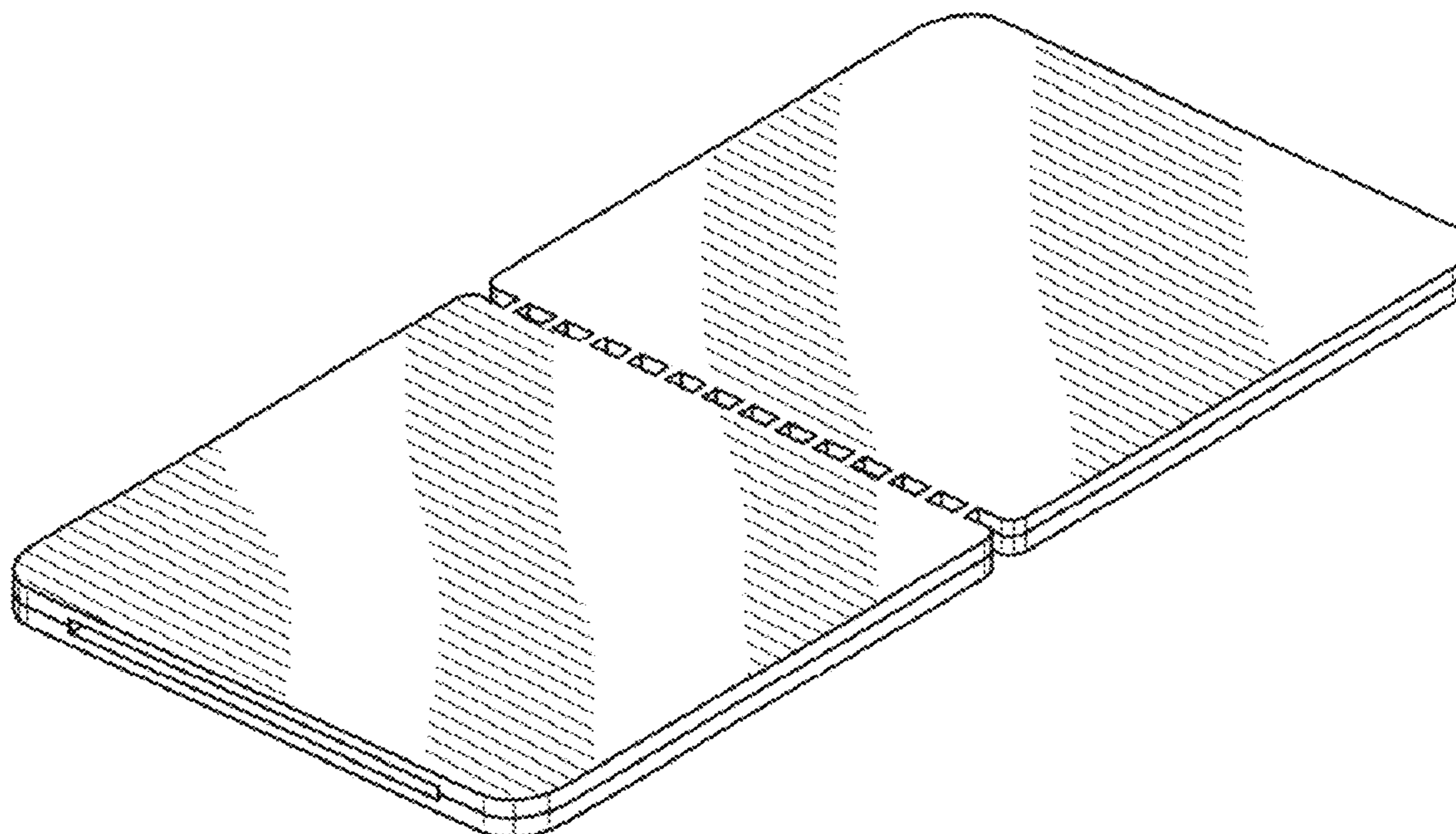
FIG. 4 is a right side elevational view thereof;

FIG. 5 is a left side elevational view thereof;

FIG. 6 is a front elevational view thereof; and,

FIG. 7 is a rear elevational view thereof.

1 Claim, 4 Drawing Sheets



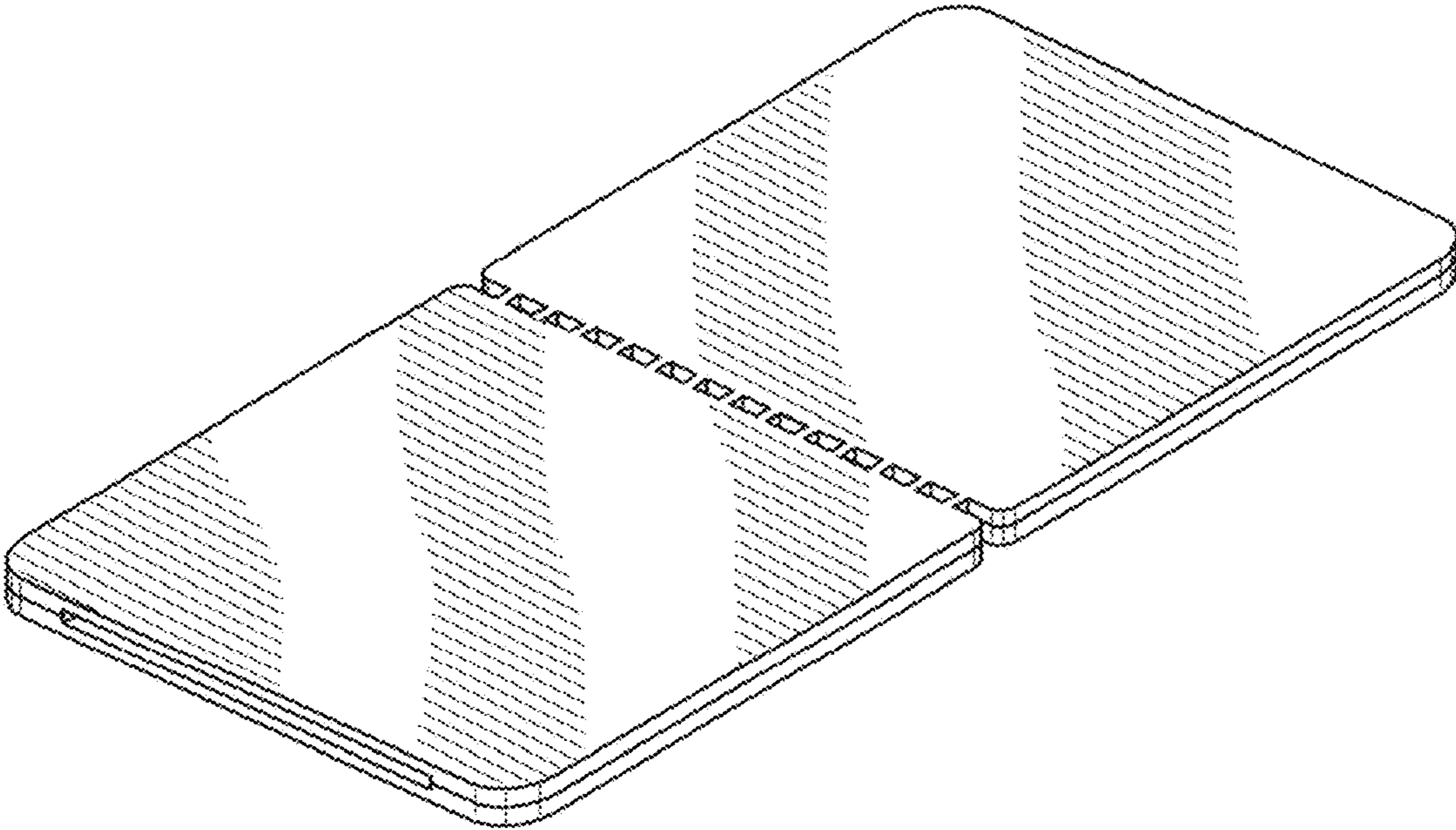


FIGURE 1

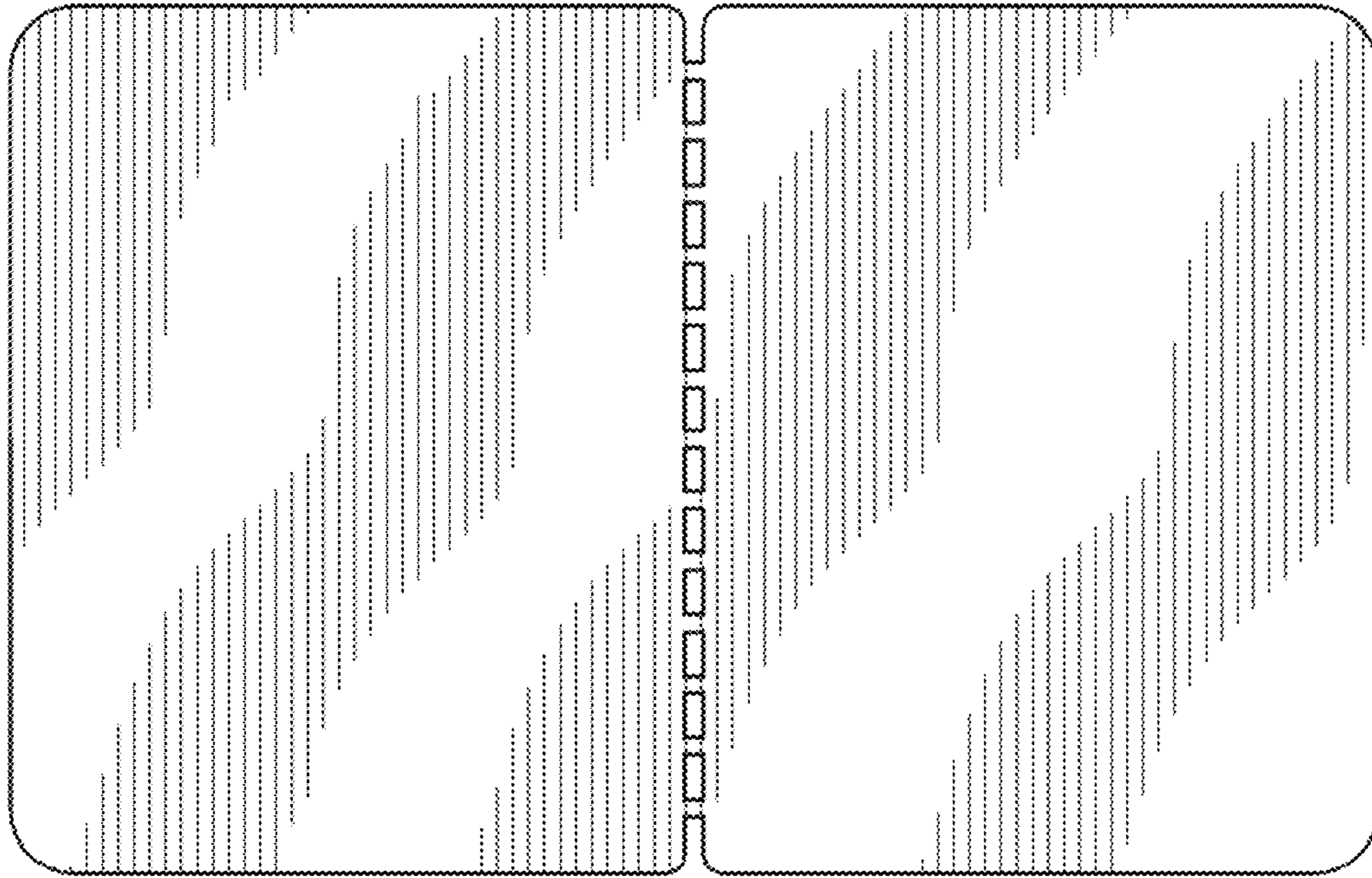


FIGURE 2

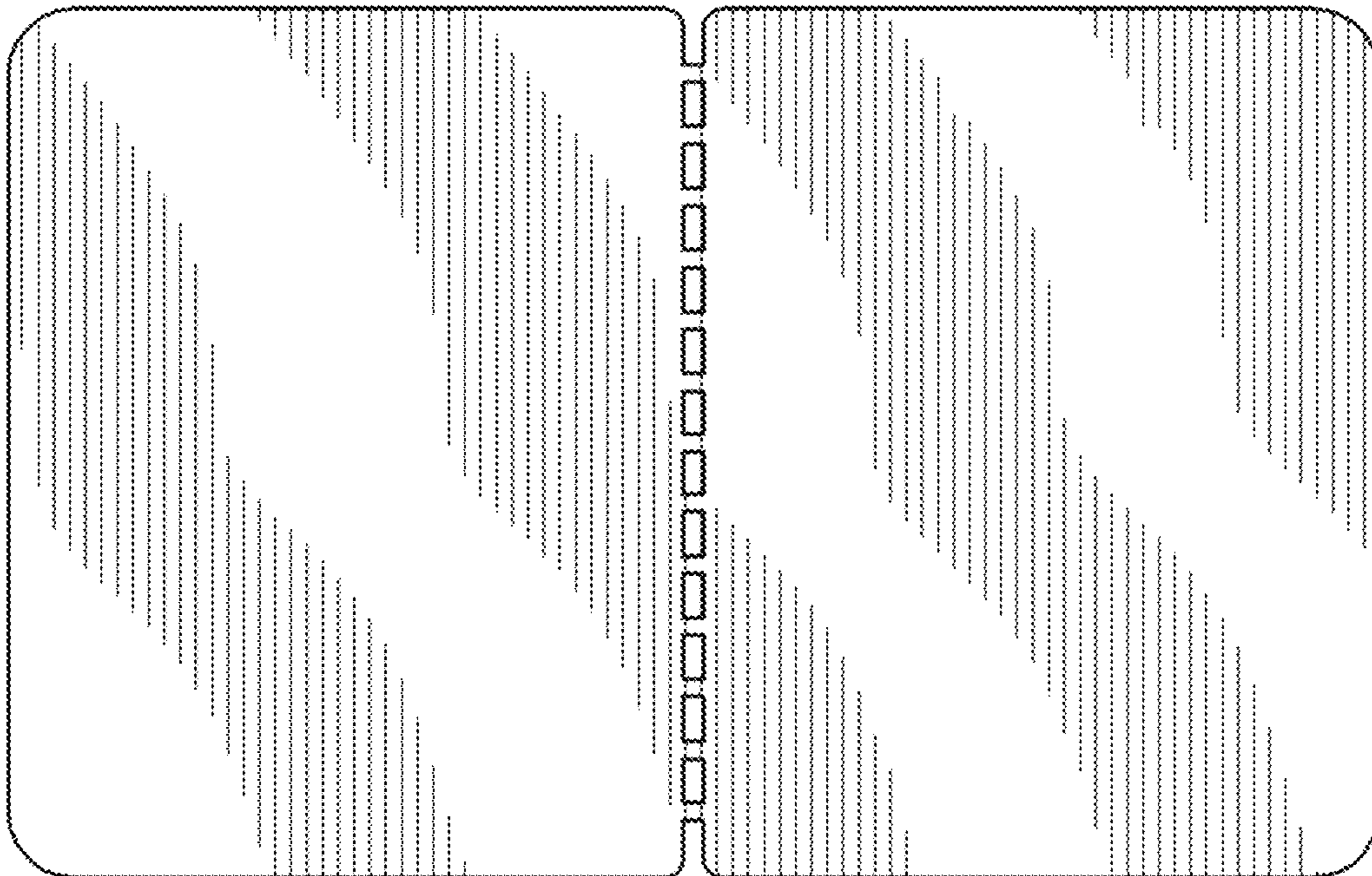


FIGURE 3



FIGURE 4



FIGURE 5

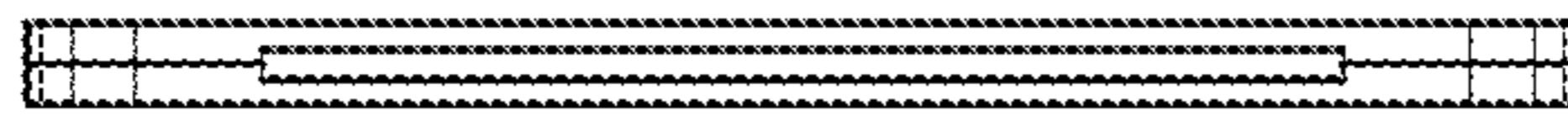


FIGURE 6

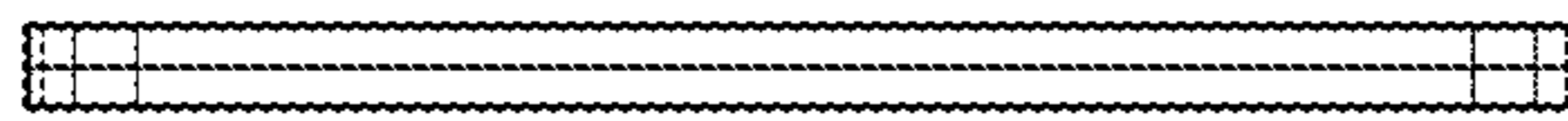


FIGURE 7