



US00D805766S

(12) **United States Design Patent** (10) **Patent No.:** **US D805,766 S**
Bogue (45) **Date of Patent:** **** Dec. 26, 2017**

(54) **HYDRATION BELT**
(71) Applicant: **US Tactical Systems, Inc.**, Washington, MO (US)
(72) Inventor: **Bryan Scott Bogue**, Washington, MO (US)
(73) Assignee: **US Tactical Systems, Inc.**, Washington, MO (US)

D483,942 S * 12/2003 Willows D3/226
D630,841 S * 1/2011 Pomerantz D3/221
8,985,409 B2 * 3/2015 Willows A45F 3/14
224/148.1

* cited by examiner

Primary Examiner — Catherine R Oliver-Garcia
(74) *Attorney, Agent, or Firm* — Lewis Rice LLC

(**) Term: **15 Years**

(57) **CLAIM**

(21) Appl. No.: **29/550,090**

The ornamental design for a hydration belt, as shown and described.

(22) Filed: **Dec. 30, 2015**

(51) **LOC (10) Cl.** **03-01**

(52) **U.S. Cl.**
USPC **D3/226**

DESCRIPTION

(58) **Field of Classification Search**
USPC D3/226, 215, 221, 224, 230, 319;
224/664, 667, 669, 676-677, 931, 934,
224/148.1, 148.4, 684; 383/63, 111, 113
CPC ... A45C 11/22; A45F 3/00; A45F 3/02; A45F
3/005; A45F 3/14; A45F 5/00; A45F
5/02; A45F 5/021; Y10S 224/931
See application file for complete search history.

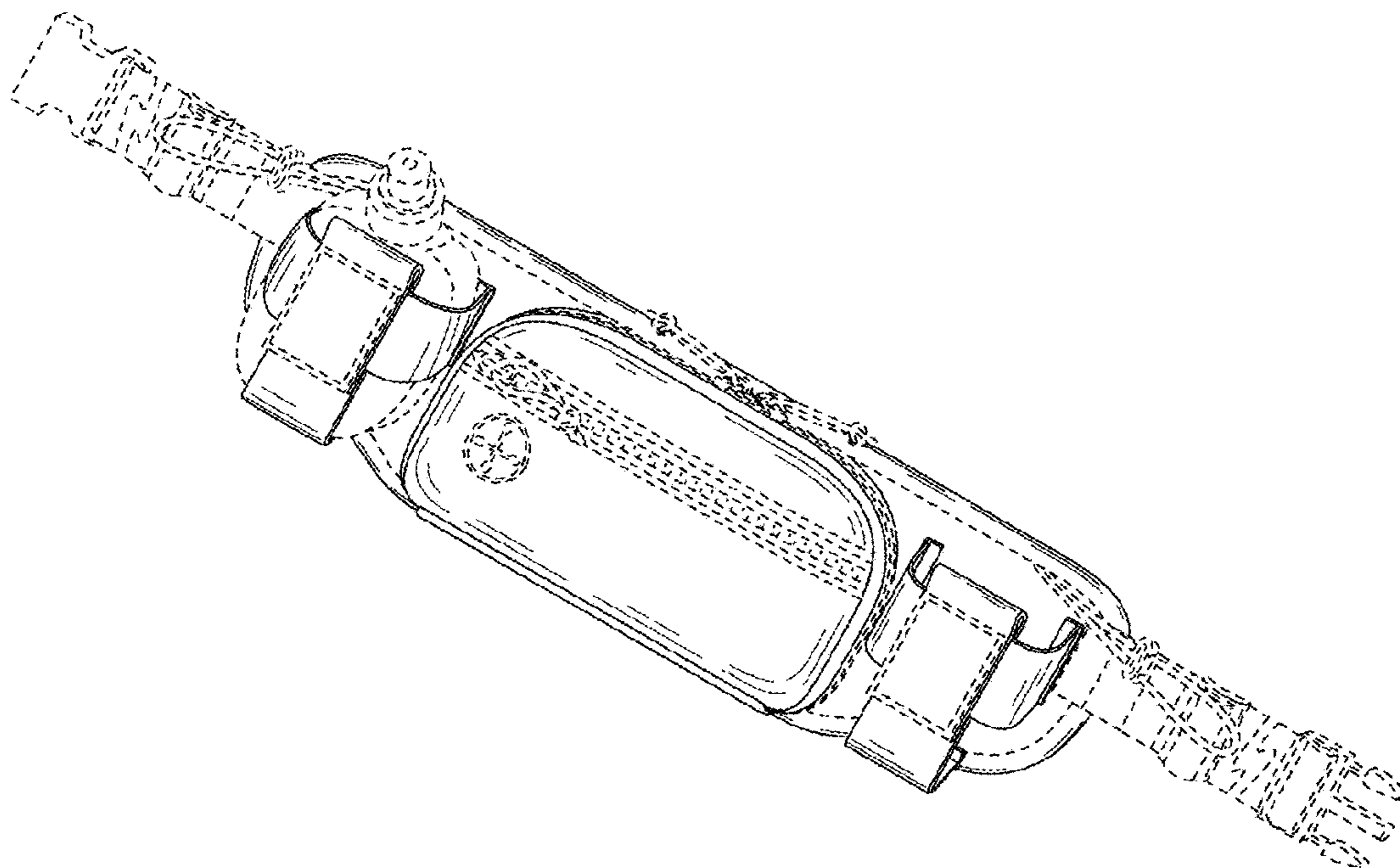
FIG. 1 is a front perspective view of a hydration belt.
FIG. 2 is an alternative front perspective view of a hydration belt with lines illustrating environmental structure omitted.
FIG. 3 is a front view of a hydration belt.
FIG. 4 is a rear view of a hydration belt.
FIG. 5 is a left side view of a hydration belt.
FIG. 6 is a right side view of a hydration belt.
FIG. 7 is a top view of a hydration belt; and,
FIG. 8 is a bottom view of a hydration belt.
The broken lines shown in the drawings are included for the purpose of illustrating environmental structure and form no part of the claimed design.

(56) **References Cited**

U.S. PATENT DOCUMENTS

D411,038 S * 6/1999 Fair D3/226
D411,659 S * 6/1999 Karton D3/226

1 Claim, 8 Drawing Sheets



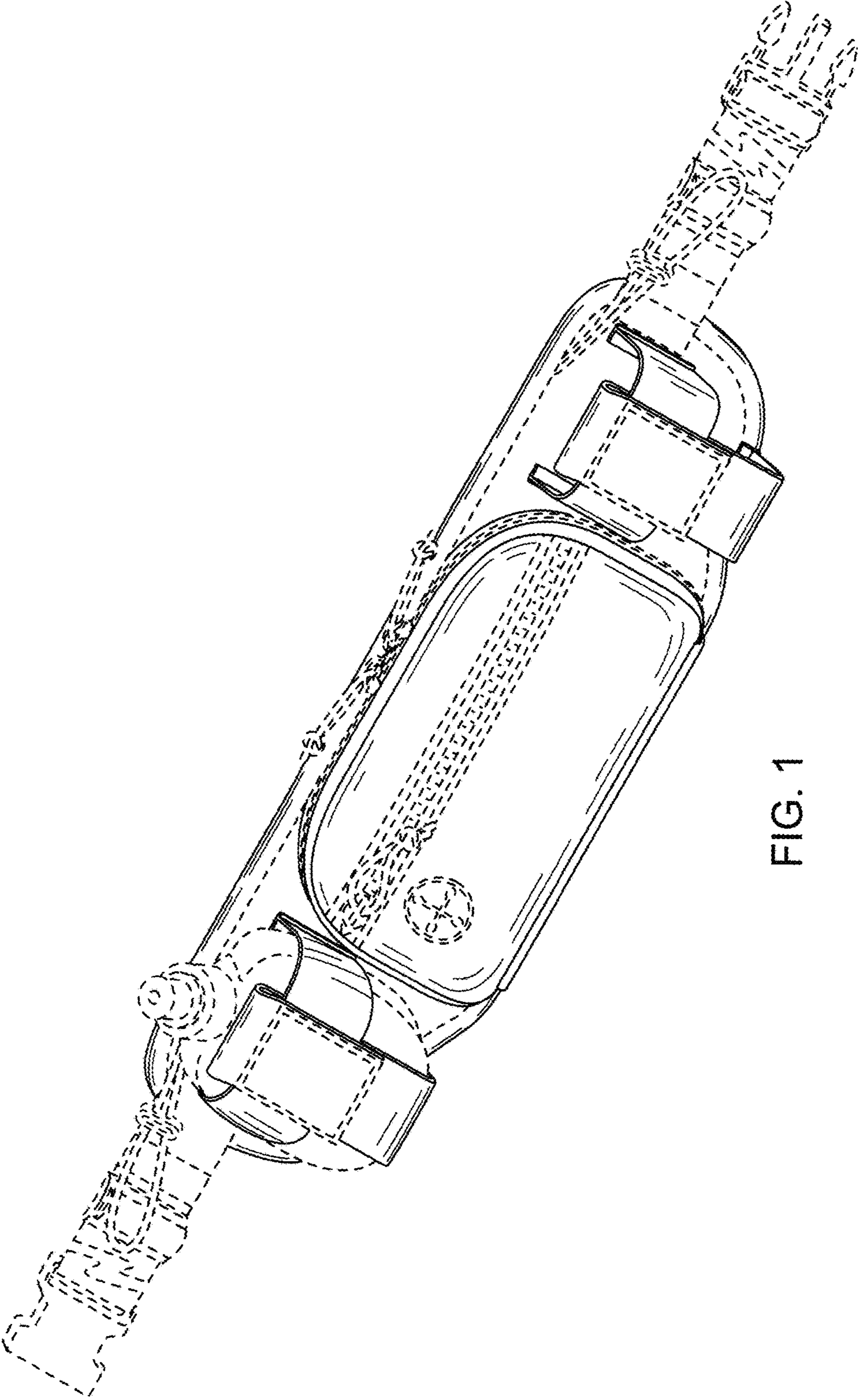


FIG. 1

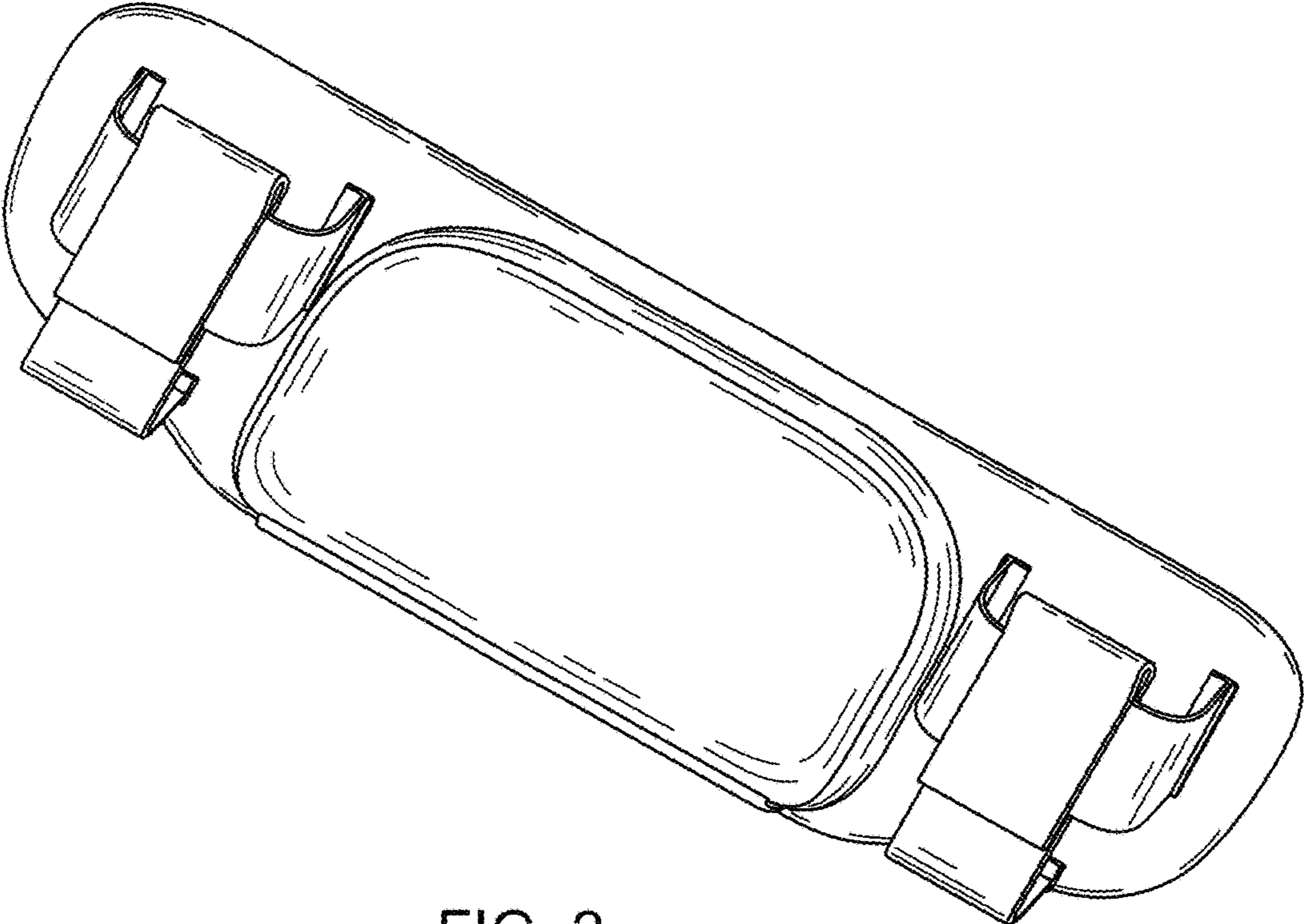


FIG. 2

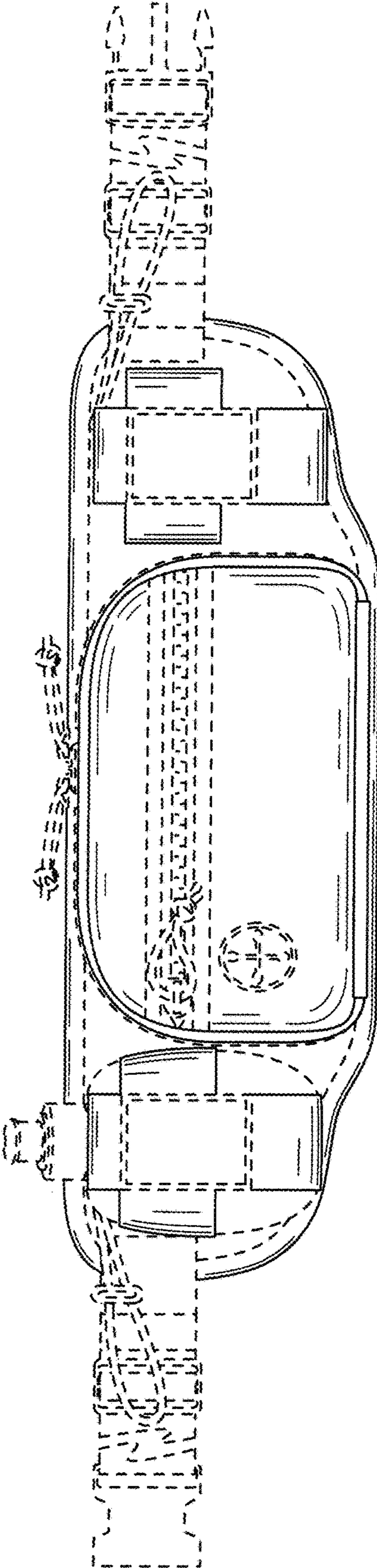


FIG. 3

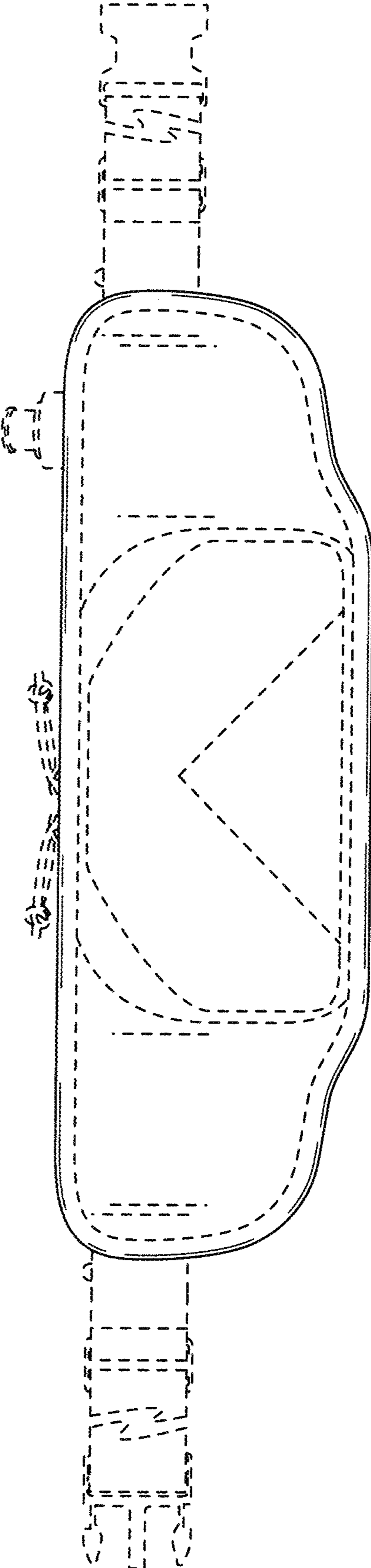


FIG. 4

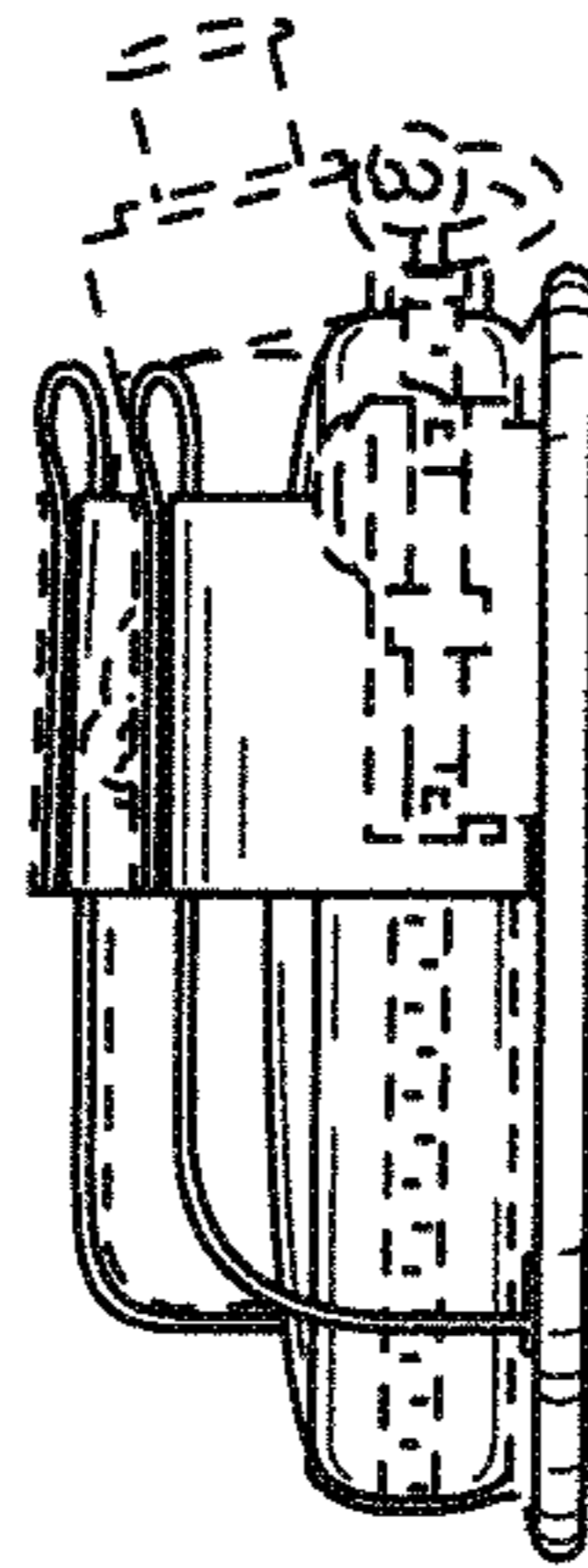


FIG. 5

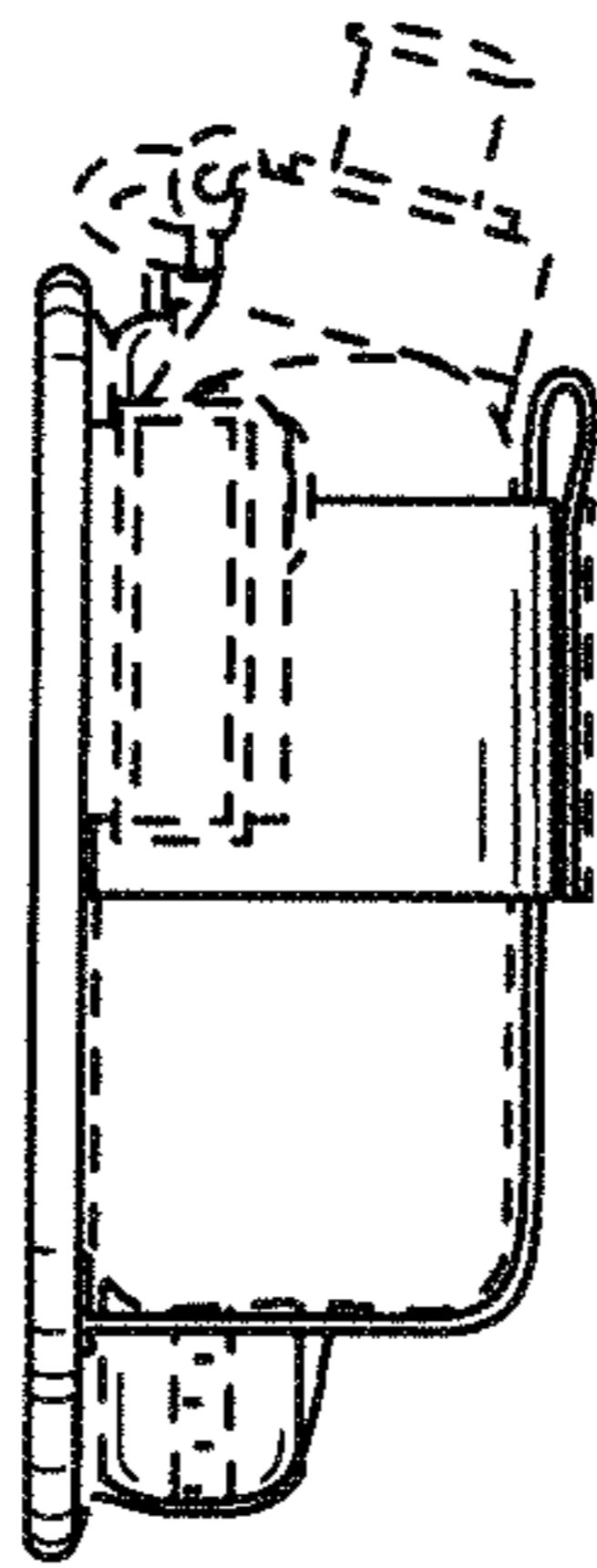


FIG. 6

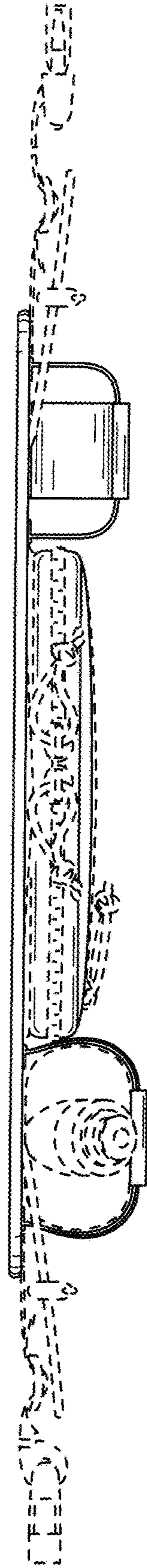


FIG. 7

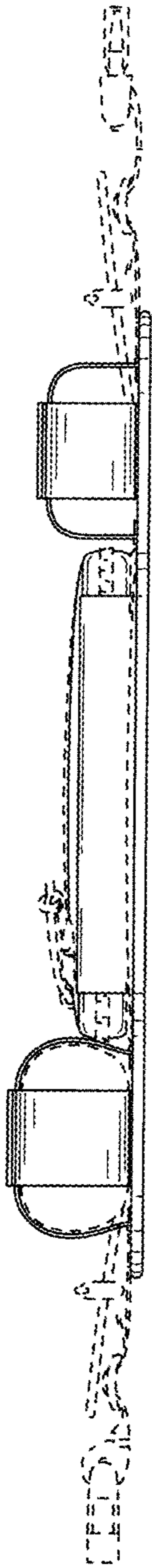


FIG. 8