



US00D805765S

(12) **United States Design Patent** (10) **Patent No.:** **US D805,765 S**  
**Davis** (45) **Date of Patent:** **\*\* \*Dec. 26, 2017**

(54) **PANTS POCKET MAGNETIC RETAINER FOR AMMUNITION MAGAZINES**

(71) Applicant: **Graig Davis**, Barberton, OH (US)

(72) Inventor: **Graig Davis**, Barberton, OH (US)

(\* ) Notice: This patent is subject to a terminal disclaimer.

(\*\*) Term: **15 Years**

(21) Appl. No.: **29/620,283**

(22) Filed: **Sep. 15, 2016**

(51) **LOC (10) Cl.** ..... **03-01**

(52) **U.S. Cl.**  
USPC ..... **D3/222**

(58) **Field of Classification Search**  
USPC ..... D3/222-223; 224/191-193, 197-198, 224/238, 240, 243, 911-912, 914, 901.4, 224/673  
CPC .... A45F 5/021; F41C 33/0236; F41C 33/041; F41C 33/048; F41C 33/04  
See application file for complete search history.

(56) **References Cited**

**U.S. PATENT DOCUMENTS**

2,910,804 A	11/1959	White	.....	F41C 33/0263
				2/300
4,120,109 A	10/1978	Musgrave	.....	F41A 9/64
				42/90
4,580,363 A	4/1986	Rowe, Jr.	.....	42/18
4,588,116 A *	5/1986	Litman	.....	A45F 5/02
				224/672
D284,807 S *	7/1986	Knight, Jr.	.....	D3/218
4,597,213 A	7/1986	Musgrave	.....	42/90
4,598,027 A *	7/1986	Johnson	.....	A45F 5/02
				156/212

(Continued)

**OTHER PUBLICATIONS**

Ghost 360 Magazine Pouch, GhostHolsterDirect.com, [online], [site visited May 26, 2017]. <URL: https://www.ghostholsterdirect.com/shop/ghost-360-magazine-pouch/>.\*

(Continued)

*Primary Examiner* — T. Chase Nelson

*Assistant Examiner* — Jonathan J. Han

(74) *Attorney, Agent, or Firm* — David A. Burge

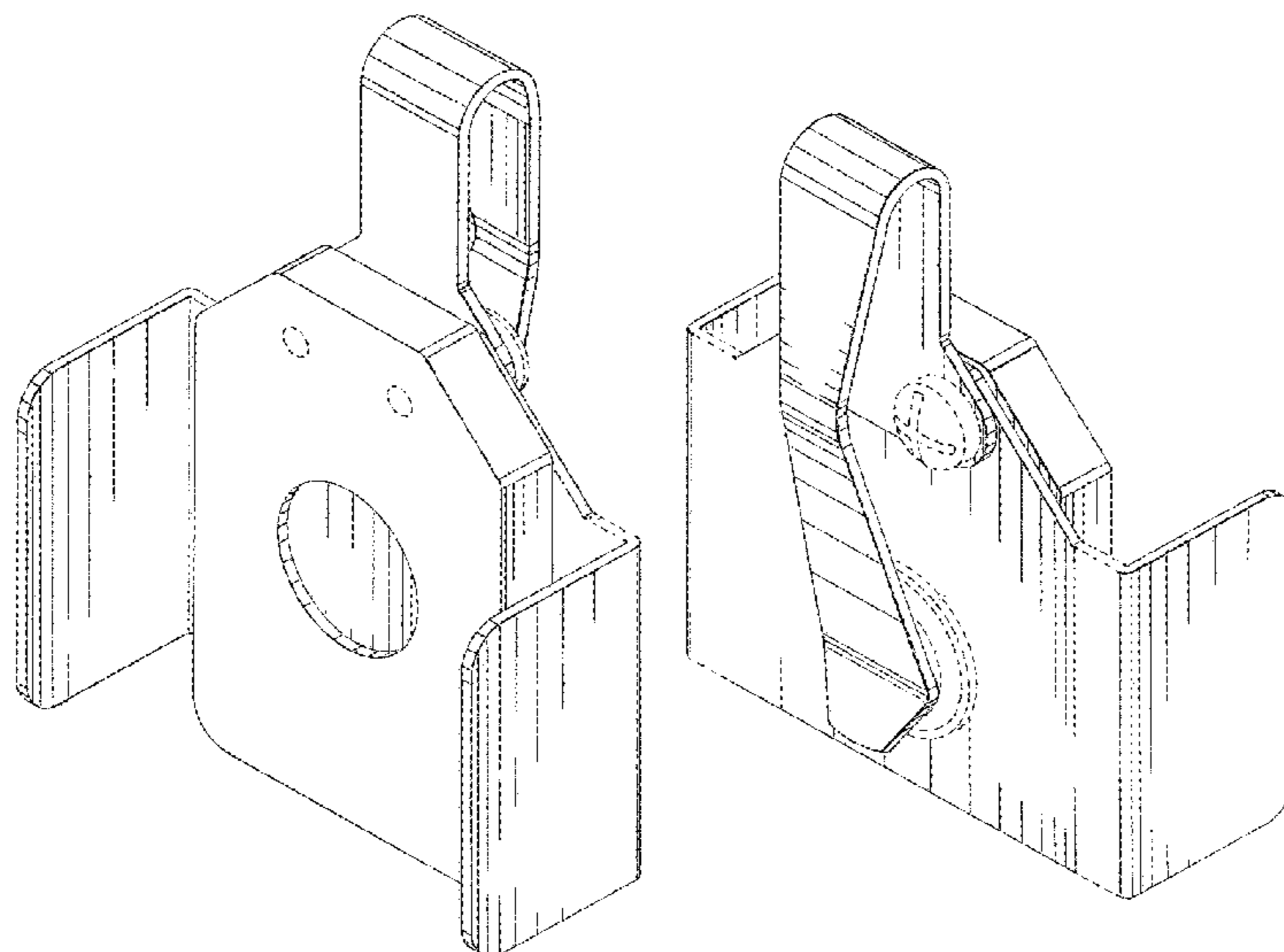
(57) **CLAIM**

I claim the ornamental design for a pants pocket magnetic retainer for ammunition magazines, as shown and described.

**DESCRIPTION**

FIG. 1 is a perspective view showing mainly top, front and right side portions of my new design;  
FIG. 2 is a perspective view showing mainly top, rear and left side portions of my new design;  
FIG. 3 is a front view thereof;  
FIG. 4 is a rear view thereof;  
FIG. 5 is a top view thereof;  
FIG. 6 is a bottom view thereof;  
FIG. 7 is a left side view thereof, it being understood that a right side view is a mirror image thereof;  
FIG. 8 is a cross-sectional view thereof as seen from a plane indicated by a line 8-8 in FIG. 5, that is provided for informational purposes so there will be no question as to how components shown in FIG. 9 are assembled to form the article of manufacture that embodies the claimed design;  
and,  
FIG. 9 is an exploded view provided for informational purposes so there will be no misunderstanding as to the configuration of components that are assembled to form the article of manufacture that embodies the claimed design.  
Broken lines that appear in the drawings depict components and/or component features that form no part of the claimed design, and are provided for illustrative purposes only.

**1 Claim, 6 Drawing Sheets**



(56)

References Cited

U.S. PATENT DOCUMENTS

D293,857 S \* 1/1988 Stout ..... 224/250  
 D338,748 S \* 8/1993 Doerksen ..... D3/228  
 D339,690 S \* 9/1993 Takahashi ..... D3/218  
 5,261,583 A \* 11/1993 Long ..... A45F 5/02  
 206/305  
 D345,053 S \* 3/1994 Gomez ..... D3/218  
 D345,647 S \* 4/1994 Luxon ..... D3/218  
 D346,275 S \* 4/1994 Hayasaka ..... D3/218  
 D361,462 S \* 8/1995 Newham ..... D6/567  
 D365,714 S \* 1/1996 Masello ..... D6/526  
 D369,465 S \* 5/1996 Scheid ..... D3/218  
 D382,396 S \* 8/1997 Campman ..... D3/215  
 D413,435 S \* 9/1999 Chapman ..... 224/908  
 6,000,592 A \* 12/1999 Clanin ..... B62J 11/00  
 224/413  
 D419,290 S \* 1/2000 Treyer ..... D14/253  
 D445,249 S \* 7/2001 Russell ..... D3/228  
 6,264,079 B1 7/2001 Skaggs ..... F41C 33/0236  
 224/193  
 6,311,881 B1 \* 11/2001 Kamiya ..... A45F 5/02  
 224/195  
 D485,060 S \* 1/2004 DeCotis ..... D3/215  
 6,763,684 B2 7/2004 Gallagher ..... A45F 5/02  
 224/193  
 6,763,984 B2 7/2004 Gallagher ..... 224/193  
 D508,313 S \* 8/2005 Cullen ..... D3/203.7  
 D508,605 S \* 8/2005 Hwang ..... D3/218  
 7,025,238 B2 4/2006 Hughes ..... A45F 5/00  
 206/3  
 D521,232 S \* 5/2006 Andre ..... D3/218  
 D547,863 S \* 7/2007 Heinsch ..... D24/128  
 7,614,534 B2 11/2009 Veo ..... F42B 39/02  
 224/196  
 D645,902 S \* 9/2011 Tsai ..... D19/90  
 8,231,098 B2 7/2012 Felts ..... 224/665  
 D667,249 S \* 9/2012 London ..... D6/553  
 8,727,294 B1 5/2014 Harms ..... F41A 23/18  
 206/317  
 8,733,606 B2 5/2014 Felts ..... 224/671

D710,363 S \* 8/2014 Wengreen ..... D14/432  
 9,072,361 B1 7/2015 Aravena ..... 2/300  
 9,170,064 B2 10/2015 Rogers ..... 224/230  
 9,182,205 B2 11/2015 Sitz ..... 224/255  
 D749,843 S 2/2016 Faifer ..... D3/262  
 D765,064 S \* 8/2016 Wengreen ..... D14/238.1  
 2007/0278269 A1 \* 12/2007 Rogers ..... F41A 9/65  
 224/239  
 2010/0176173 A1 7/2010 Felts ..... A45F 5/02  
 224/665  
 2010/0176174 A1 7/2010 Felts ..... 224/666  
 2012/0255979 A1 10/2012 Sitz ..... F41C 33/0245  
 224/243  
 2013/0248566 A1 9/2013 Solomon ..... A45F 5/02  
 224/191  
 2013/0254976 A1 10/2013 Aravena ..... 2/300  
 2013/0270311 A1 10/2013 Sitz ..... F41A 23/18  
 224/255  
 2014/0103083 A1 4/2014 Sitz ..... F42B 39/08  
 224/255  
 2014/0109455 A1 4/2014 Chiang ..... F42B 39/02  
 42/90  
 2014/0252053 A1 \* 9/2014 Rogers ..... F41A 35/00  
 224/230  
 2015/0260479 A1 9/2015 Aravena ..... 2/300

OTHER PUBLICATIONS

Blade-Tech—Revolution Single Mag Pouch, Brownells.com, [online], [site visited May 26, 2017]. <URL: <http://www.brownells.com/shooting-accessories/holsters-belt-gear/magazine-belt-pouches/revolution-single-mag-pouch-glock-10-45-black-tek-lok-sku098000192-40775-127641.aspx>>.\*  
 Competitive Edge Dynamics—CED7000 Belt Clip, Brownells.com, [online], [site visited May 26, 2017]. <URL: <http://www.brownells.com/shooting-accessories/range-gear/shot-timers/ced7000-belt-clip-prod25153.aspx>>.\*  
 Airframe | Car Vent Phone Mount, BlessThisStuff.com, [online], [site visited May 26, 2017]. <URL: <http://www.blessthustuff.com/stuff/technology/misc-gadgets/airframe-car-vent-phone-mount/>>.\*

\* cited by examiner

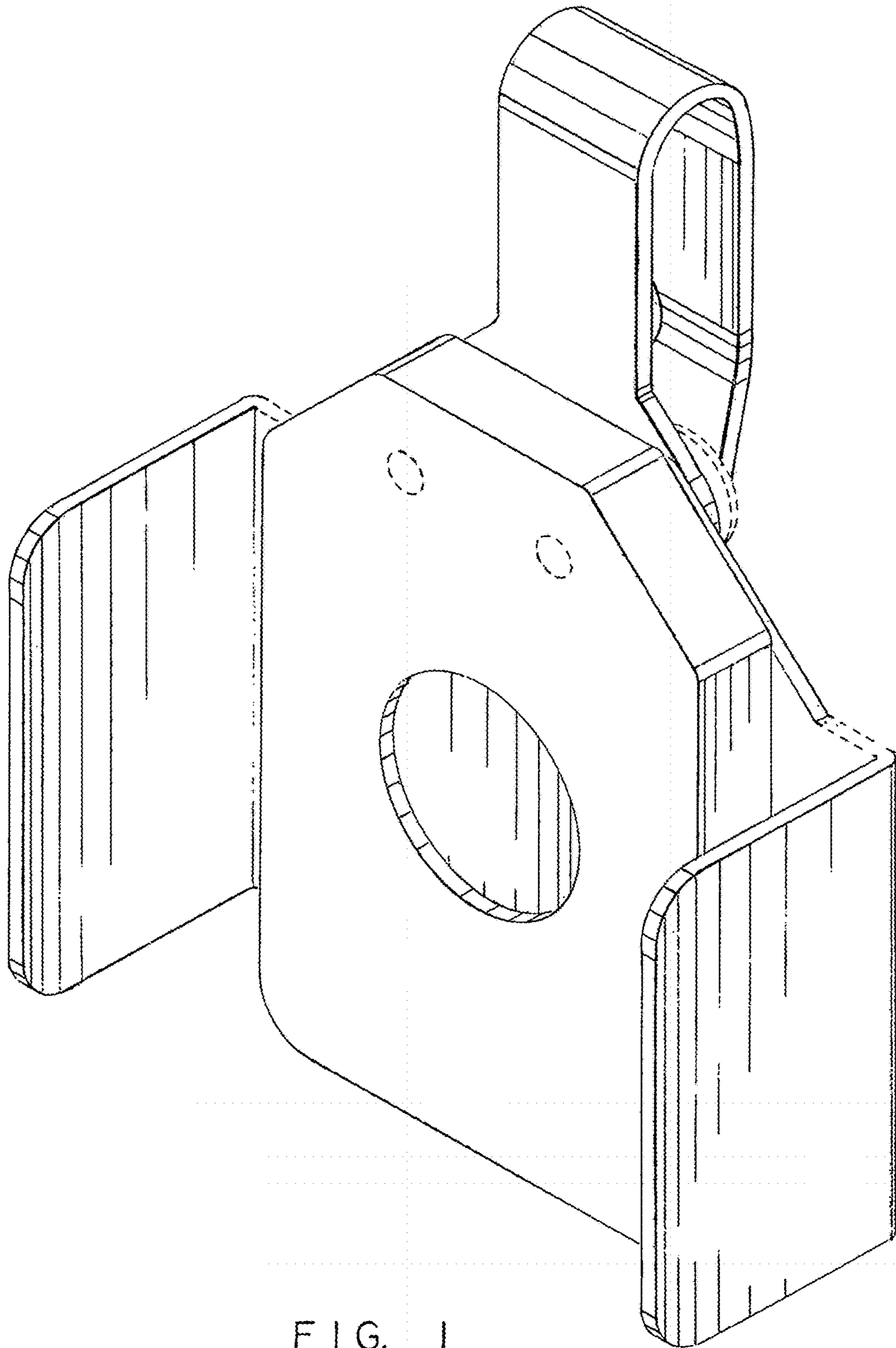


FIG. 1

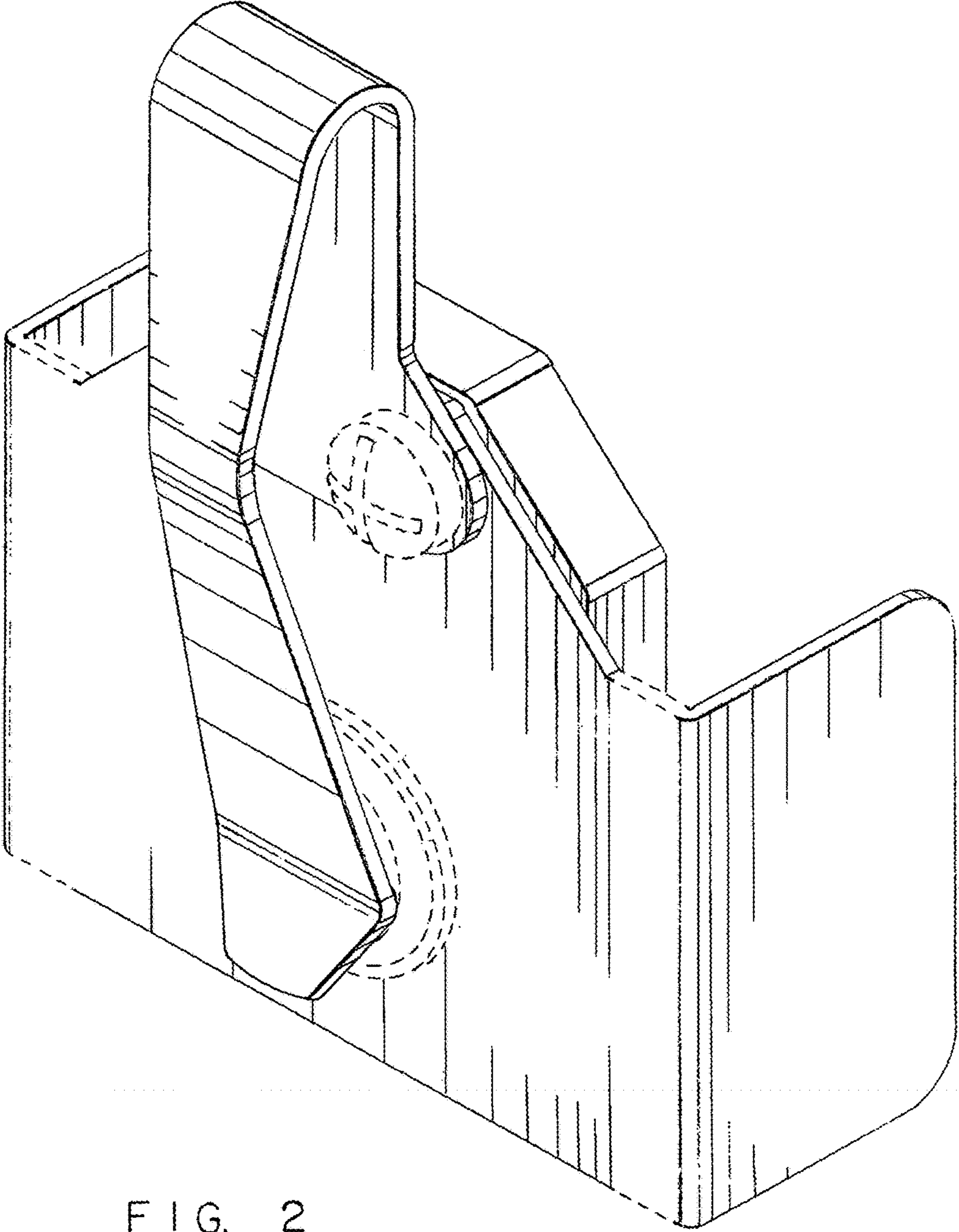


FIG. 2

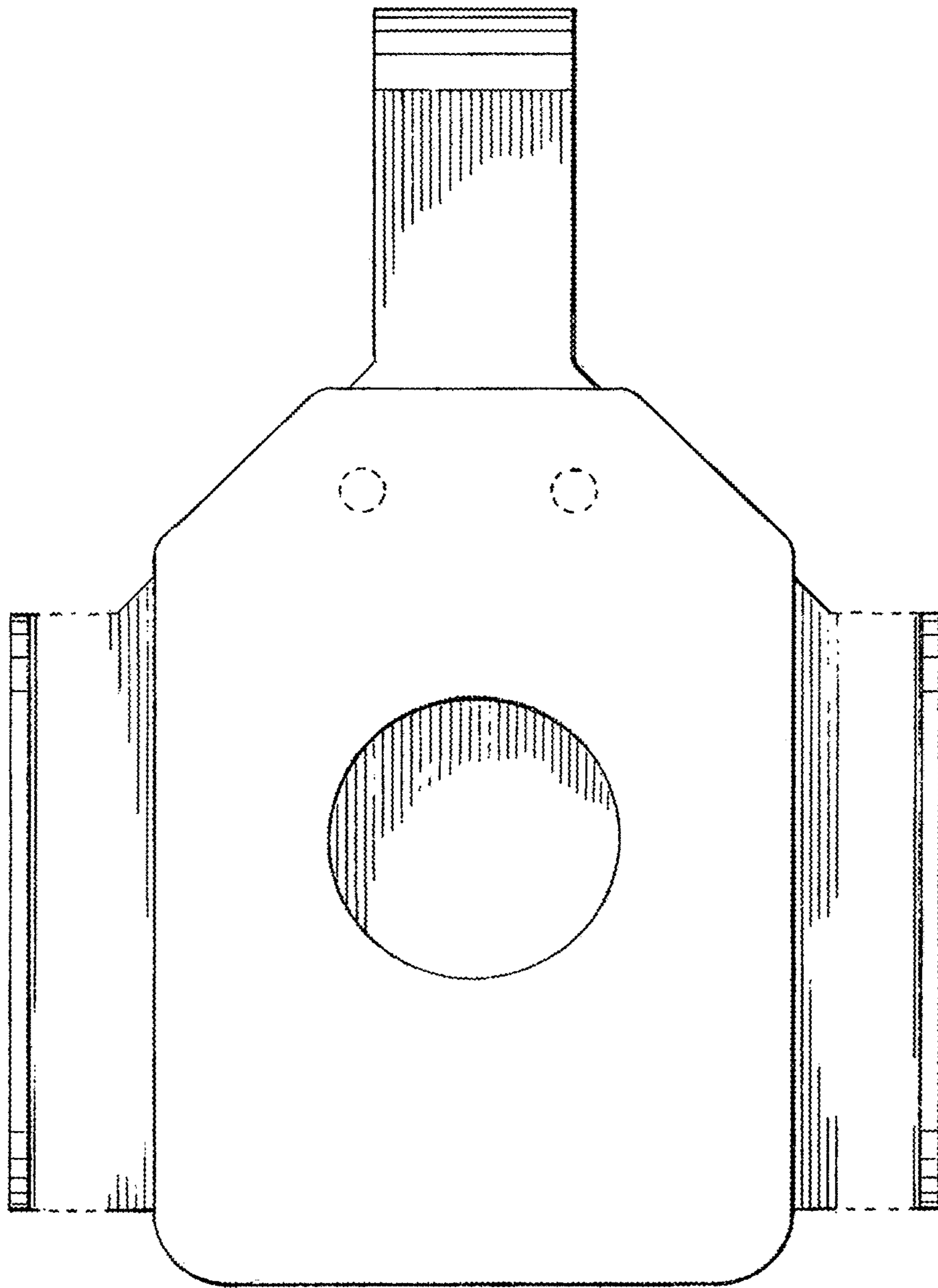


FIG. 3

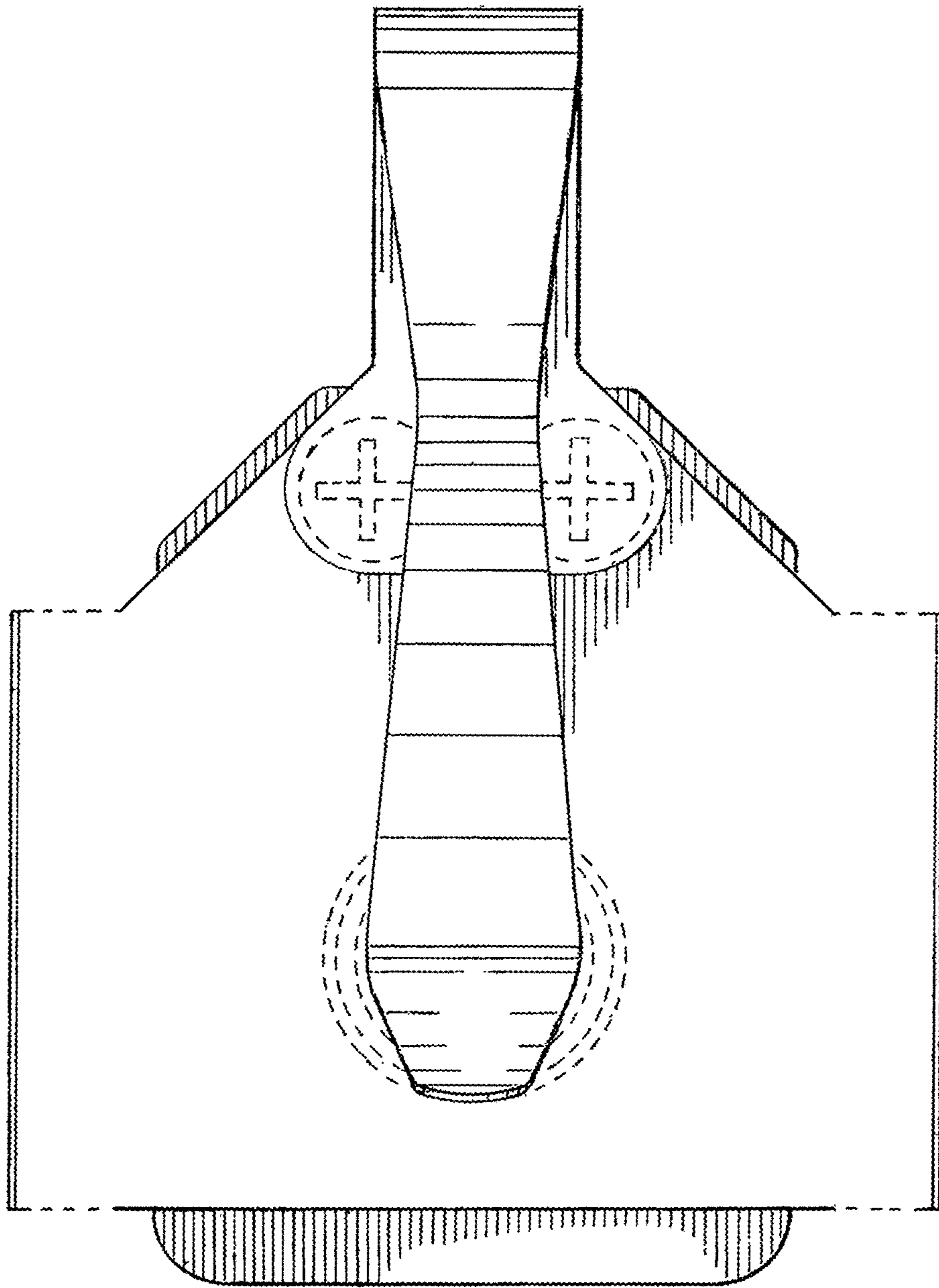


FIG. 4

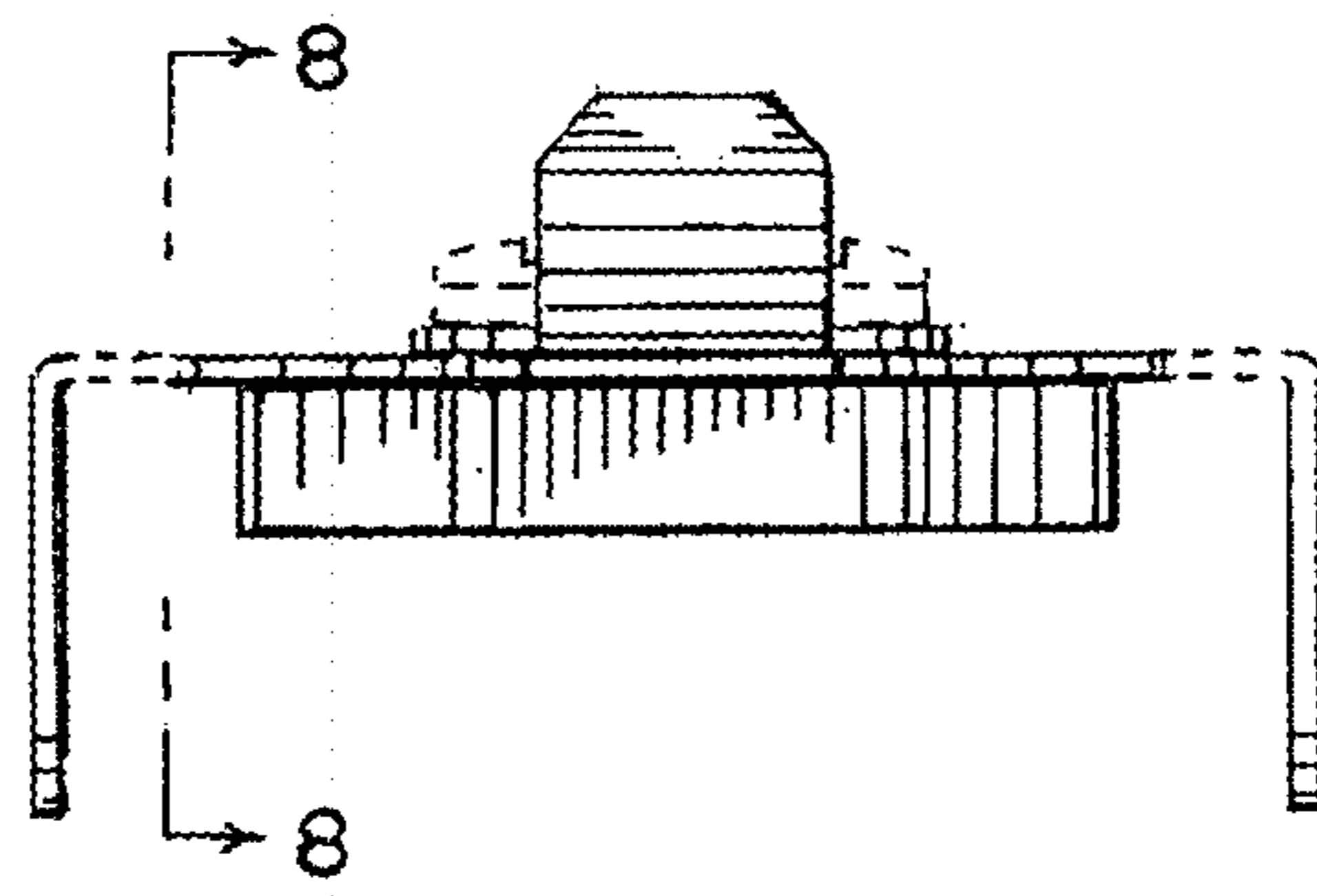


FIG. 5

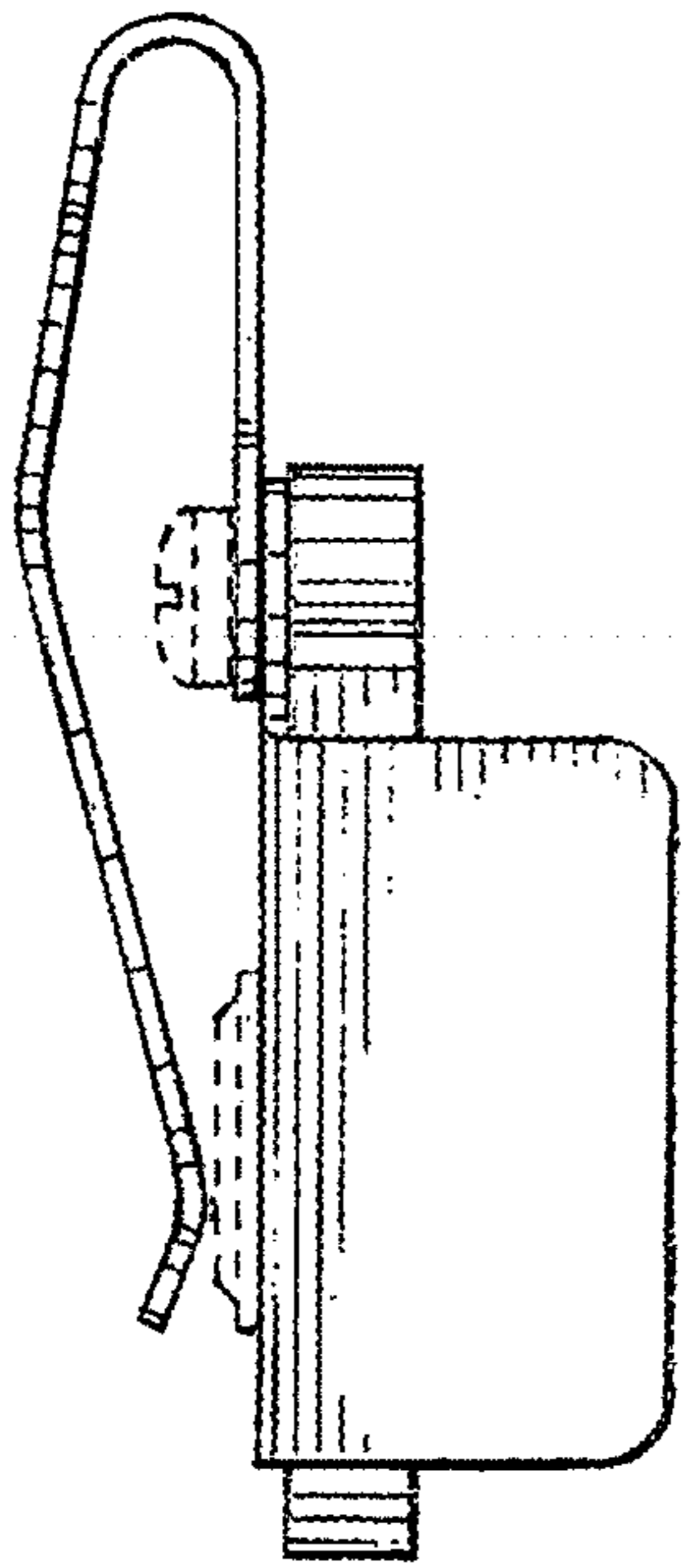


FIG. 7

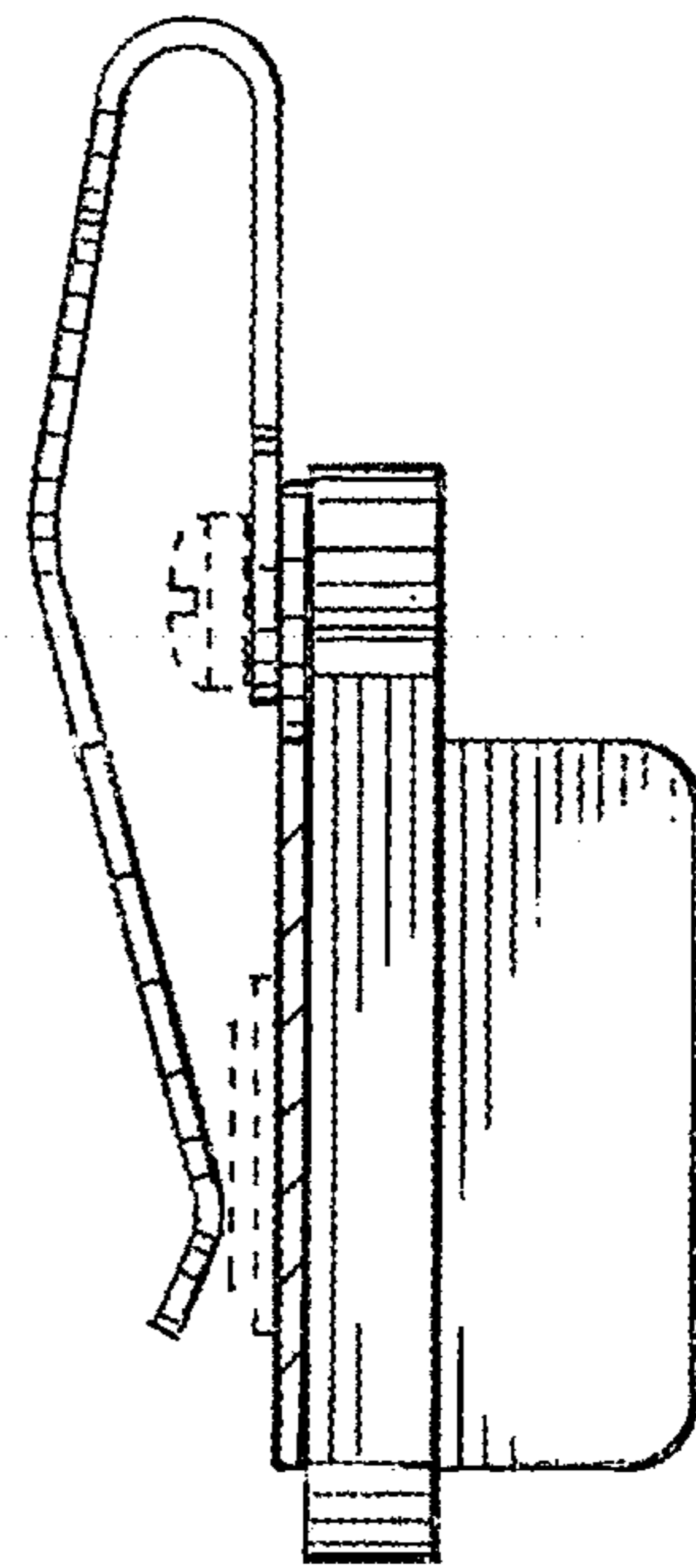


FIG. 8

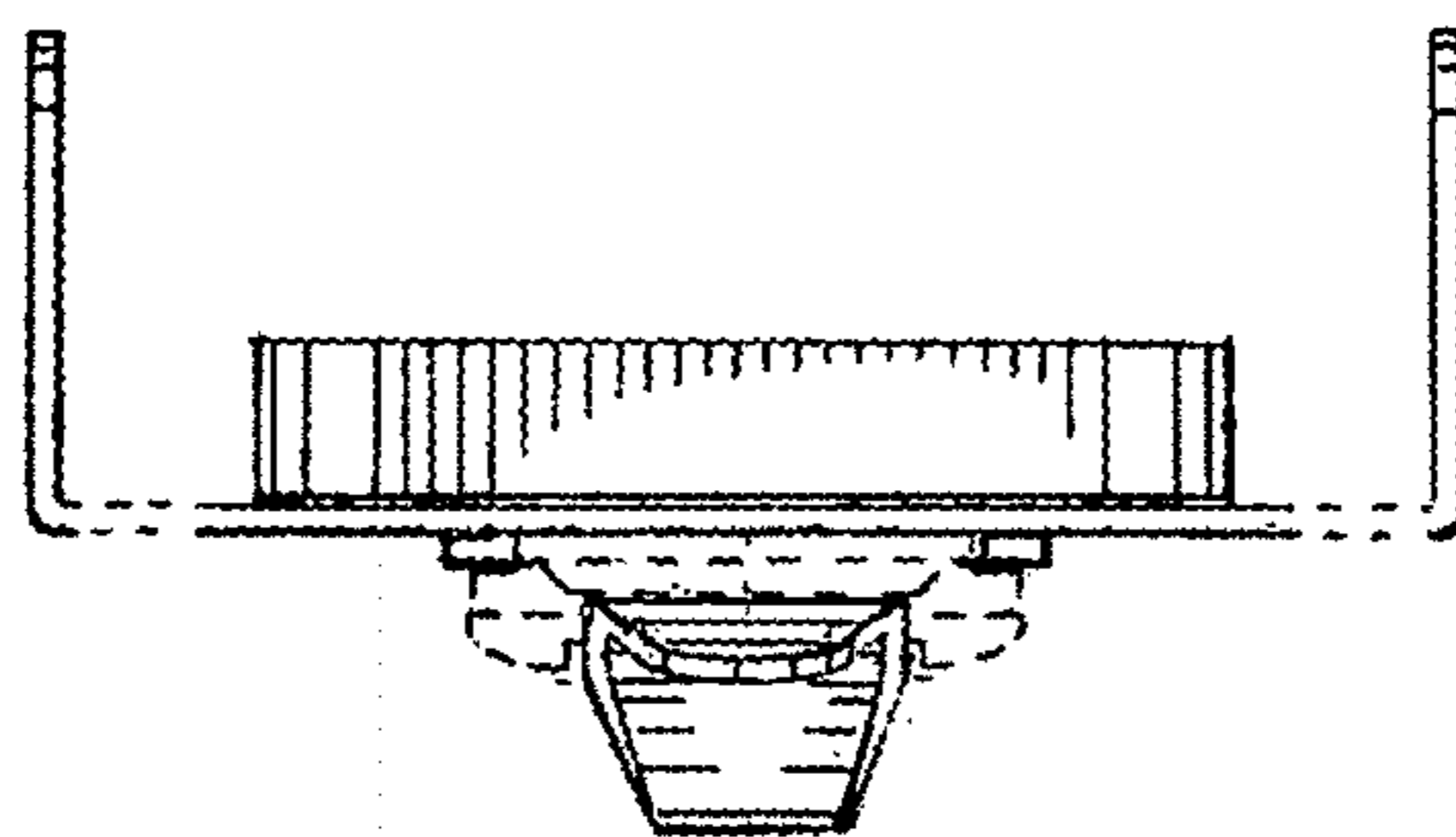


FIG. 6

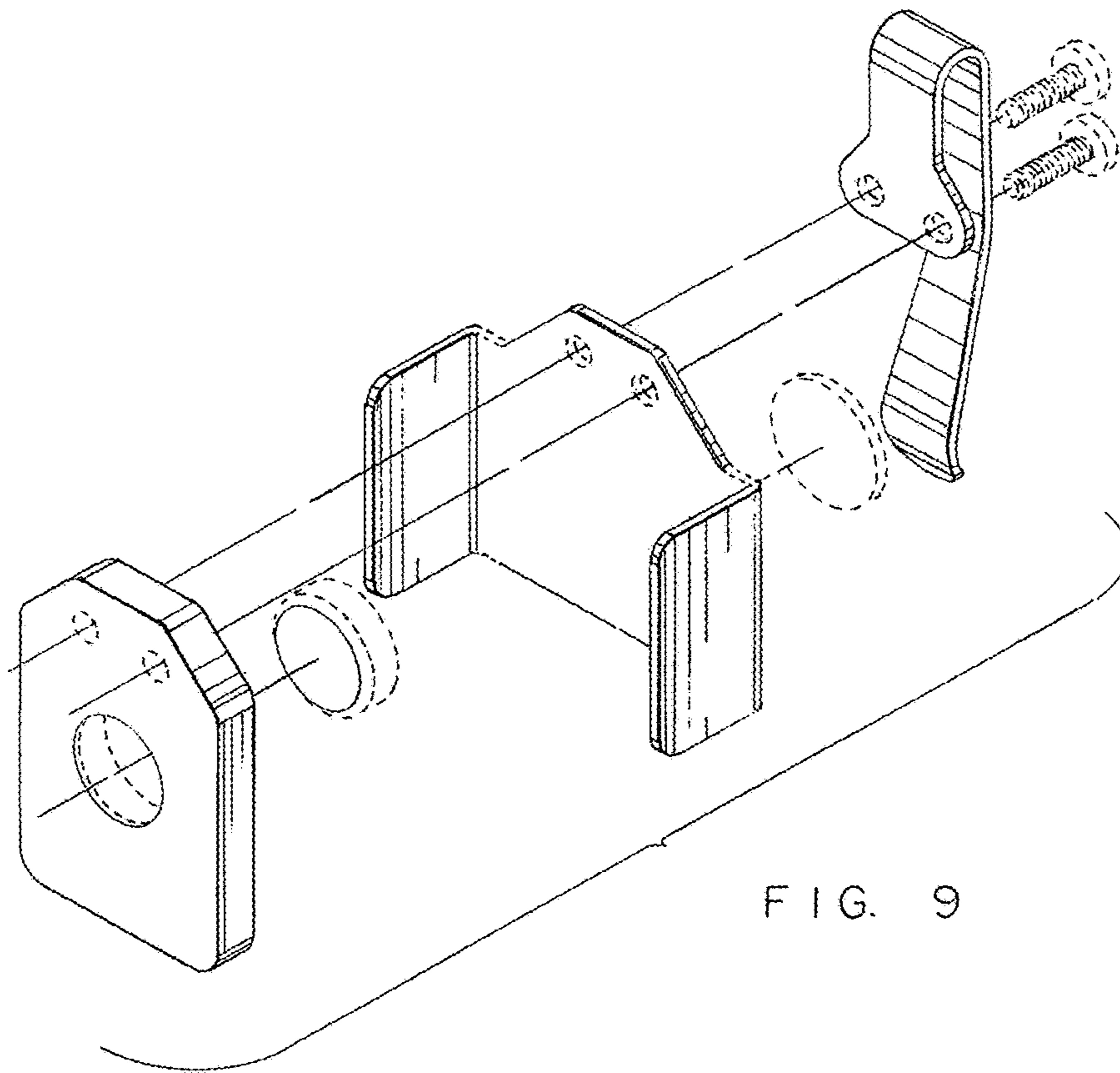


FIG. 9