



US00D805764S

(12) **United States Design Patent** (10) **Patent No.:** **US D805,764 S**  
**Liu** (45) **Date of Patent:** **\*\* Dec. 26, 2017**

(54) **KNIFE SHEATH**  
(71) Applicant: **Yunxing Liu**, Irvine, CA (US)  
(72) Inventor: **Yunxing Liu**, Irvine, CA (US)  
(\*\*) Term: **15 Years**  
(21) Appl. No.: **29/579,134**  
(22) Filed: **Sep. 28, 2016**  
(51) **LOC (10) Cl.** ..... **03-01**  
(52) **U.S. Cl.**  
USPC ..... **D3/220**  
(58) **Field of Classification Search**  
USPC ..... D3/200, 220; D15/139; D25/48.1, 48.2,  
D25/48.3, 48.7, 60; D22/118; D8/65,  
D8/71, 93, 95-99; 30/143, 151, 155,  
30/161-162, 391, 504, 138, 146,  
30/161-162; 206/317, 349, 521, 564;  
224/197, 198, 232, 234, 242, 245, 246,  
224/269, 576, 581, 624, 666, 674, 676,  
224/904; 451/555; 24/3.1, 3.11  
CPC ..... B26B 29/025; B26B 3/00; F41B 13/00;  
F41B 13/04  
See application file for complete search history.

6,224,475 B1 \* 5/2001 May ..... B24D 15/084  
30/298.4  
D558,358 S \* 12/2007 DiGennaro ..... E04F 15/082  
D25/60  
D661,181 S \* 6/2012 Ranieri ..... D9/415  
D683,953 S \* 6/2013 Phillips ..... D3/218  
D691,794 S \* 10/2013 Curran-Blaney ..... D3/218  
D692,230 S \* 10/2013 Phillips ..... D3/218  
(Continued)

**FOREIGN PATENT DOCUMENTS**

CN 203185383 \* 9/2013 ..... B08B 1/02  
KR 200418705 \* 6/2006 ..... B26B 29/02

**OTHER PUBLICATIONS**

Williams Sonoma Basic Blade Guards, Set of 4, Williams-Sonoma.com, [online], [site visited May 22, 2017]. habog9QCF<URL: http://www.williams-sonoma.com/products/1279319/?catalogId=16&sku=1279319&cm\_ven=Google\_PLA&cm\_cat=Shopping&cm\_pla=default&cm\_ite=default&kwid=productads-adidA45527542063-deviceAc-plaidA67369262258-skuA1279319-adTypeAPLA&gclid=Clmehabog9QCFcmCswod5FYNvg>.\*

(Continued)

*Primary Examiner* — T. Chase Nelson  
*Assistant Examiner* — Jonathan J. Han

(56) **References Cited**

**U.S. PATENT DOCUMENTS**

2,470,022 A \* 5/1949 De Ciego ..... B24D 15/08  
451/461  
2,513,841 A \* 7/1950 Calkins ..... B24D 15/08  
451/521  
2,527,021 A \* 10/1950 May ..... B24D 15/023  
451/503  
D225,559 S \* 12/1972 Hayly ..... D3/220  
D230,529 S \* 2/1974 Bailey ..... D3/269  
D249,923 S \* 10/1978 Bayly ..... D7/638  
D250,824 S \* 1/1979 Bowers ..... D3/220  
D303,731 S \* 10/1989 Blochlinger ..... D3/220  
D330,491 S \* 10/1992 Worsfold ..... D7/638  
D341,753 S \* 11/1993 Winyard ..... D7/638  
D390,767 S \* 2/1998 Scales, III ..... D3/220  
D411,948 S \* 7/1999 Chipperfield ..... D3/220

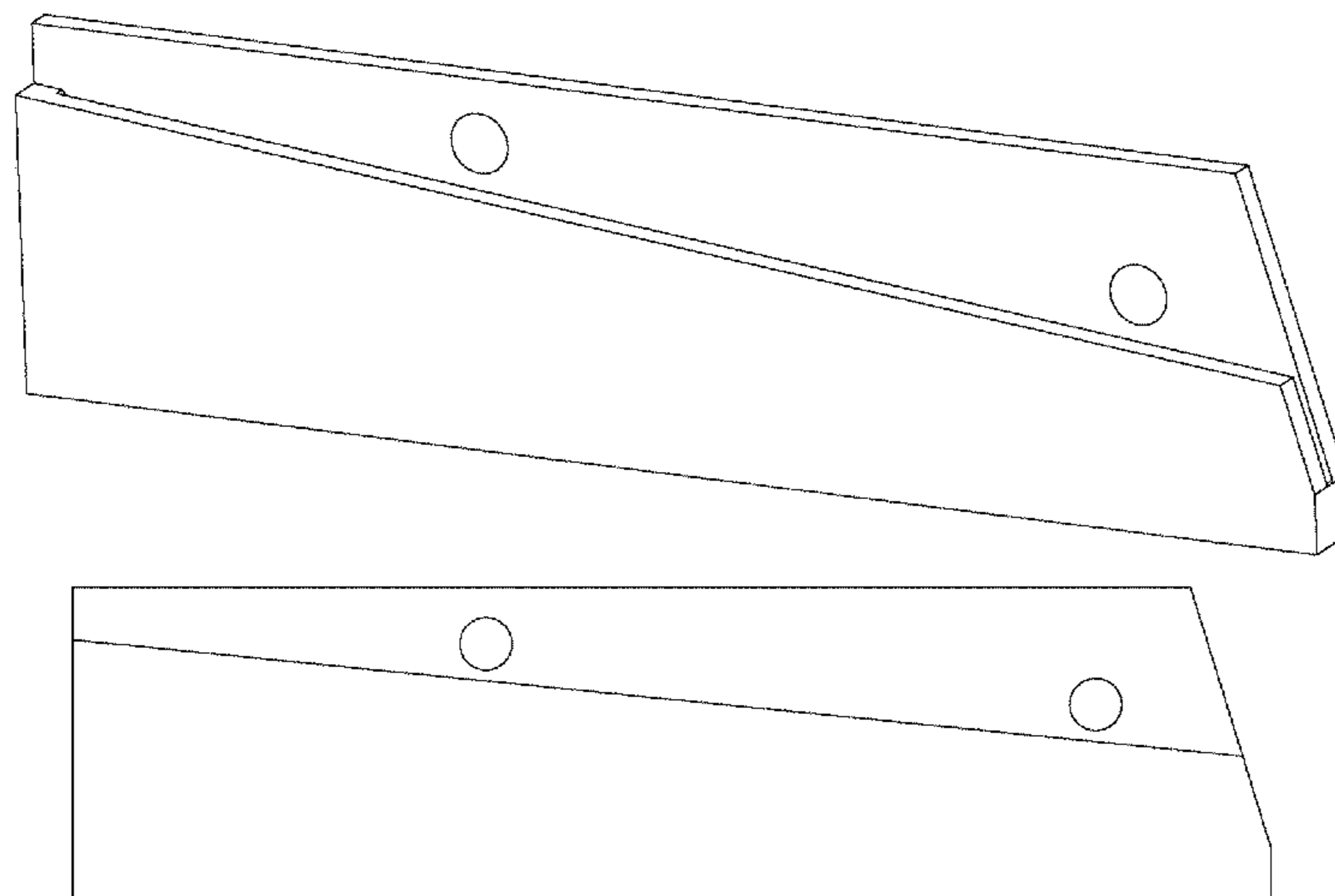
(57) **CLAIM**

The ornamental design for a knife sheath, as shown and described.

**DESCRIPTION**

FIG. 1 is a left-side perspective view of the knife sheath.  
FIG. 2 is a left-side view of the knife sheath.  
FIG. 3 is a right-side view of the knife sheath.  
FIG. 4 is a top view of the knife sheath.  
FIG. 5 is a bottom view of the knife sheath.  
FIG. 6 is a rear view of the knife sheath; and,  
FIG. 7 is a front view of the knife sheath.

**1 Claim, 3 Drawing Sheets**



(56)

**References Cited**

U.S. PATENT DOCUMENTS

8,590,427	B2 *	11/2013	Murphy	.....	B24D 15/084	206/349
D725,796	S *	3/2015	Van Camp	.....	D25/119	
D766,460	S *	9/2016	Everhart, II	.....	D25/60	
D772,316	S *	11/2016	Johnson	.....	D15/139	
2004/0231164	A1 *	11/2004	McLaughlin	.....	B26B 29/025	30/151
2013/0026054	A1 *	1/2013	Adams	.....	A45F 5/14	206/349
2015/0031274	A1 *	1/2015	Beechinor	.....	B24D 15/084	451/553

OTHER PUBLICATIONS

Mercer M33111P 6"x1" Polypropylene Blade Guard, WebstaurantStore.com, [online], [site visited May 22, 2017]. <URL: [https://www.webstaurantstore.com/mercer-m33111p-6-x-1-polypropylene-blade-guard/470M33111P.html?utm\\_source=Google&utm\\_medium=cpc&utm\\_campaign=GoogleShopping&gclid=CJzRr47pg9QCFV1MDQodi6QEow](https://www.webstaurantstore.com/mercer-m33111p-6-x-1-polypropylene-blade-guard/470M33111P.html?utm_source=Google&utm_medium=cpc&utm_campaign=GoogleShopping&gclid=CJzRr47pg9QCFV1MDQodi6QEow)>.\*

Dexter83105 Knife Guard, Central Restaurant Products, [online], [site visited May 22, 2017]. <URL: [https://www.centralrestaurant.com/Dexter-83105-Knife-Guard-c82p115659.html?st-t=google\\_shopping\\_973-513&gclid=CNeh-9Lpg9QCFQSHswodsFMFBg](https://www.centralrestaurant.com/Dexter-83105-Knife-Guard-c82p115659.html?st-t=google_shopping_973-513&gclid=CNeh-9Lpg9QCFQSHswodsFMFBg)>.\*

Wusthof Blade Guard for up to 8-in. Chef's or Santoku Knife, CutleryandMore.com, [online], [site visited May 22, 2017]. <URL: <http://www.cutleryandmore.com/wusthof/blade-guard-for-up-to-8-in-chefs-or-santoku-knife-p115061>>.\*

Messermeister Chef's Blade Guard, 8", Surlatable.com, [online], [site visited May 22, 2017]. <URL: [https://www.surlatable.com/product/PRO-198053/Messermeister+Chefs+Blade+Guard;jsessionid=38C3AE7D59CFB9AEE8EFBC53AF7F6084.slt-app-02-p-app2?cat=TCA-257795\\_Knife+Blocks+%26+Storage](https://www.surlatable.com/product/PRO-198053/Messermeister+Chefs+Blade+Guard;jsessionid=38C3AE7D59CFB9AEE8EFBC53AF7F6084.slt-app-02-p-app2?cat=TCA-257795_Knife+Blocks+%26+Storage)>.\*

Williams Sonoma Basic Blade Guards, Set of 4, Williams-Sonoma.com, [online], [site visited May 22, 2017]. habog9QCF<URL: [http://www.williams-sonoma.com/products/1279319/?catalogId=16&sku=1279319&cm\\_ven=Google\\_PLA&cm\\_cat=Shopping&cm\\_pla=default&cm\\_ite=default&kwid=productads-adidA45527542063-deviceAc-plaidA67369262258-skuA1279319-adTypeAPLA&gclid=CImehabog9QCFcmCswod5FYNvg](http://www.williams-sonoma.com/products/1279319/?catalogId=16&sku=1279319&cm_ven=Google_PLA&cm_cat=Shopping&cm_pla=default&cm_ite=default&kwid=productads-adidA45527542063-deviceAc-plaidA67369262258-skuA1279319-adTypeAPLA&gclid=CImehabog9QCFcmCswod5FYNvg)>.\*

\* cited by examiner

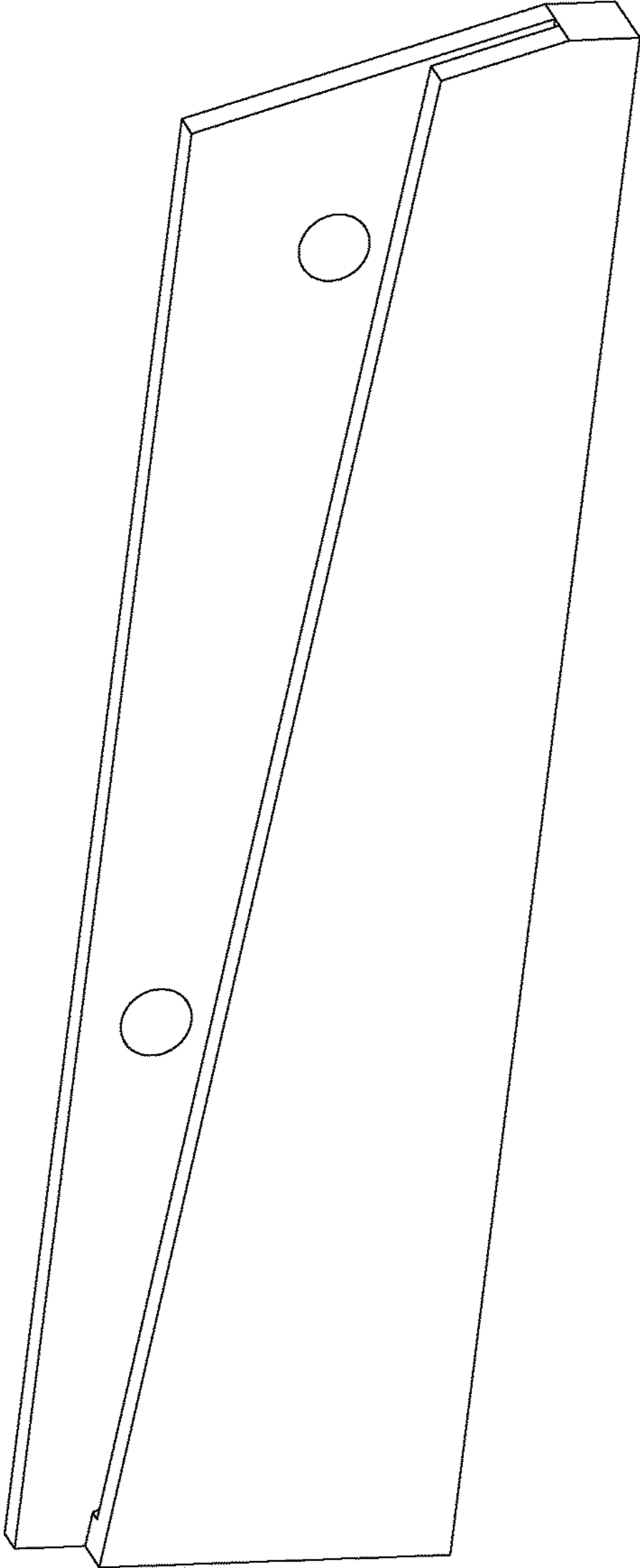


Fig. 1

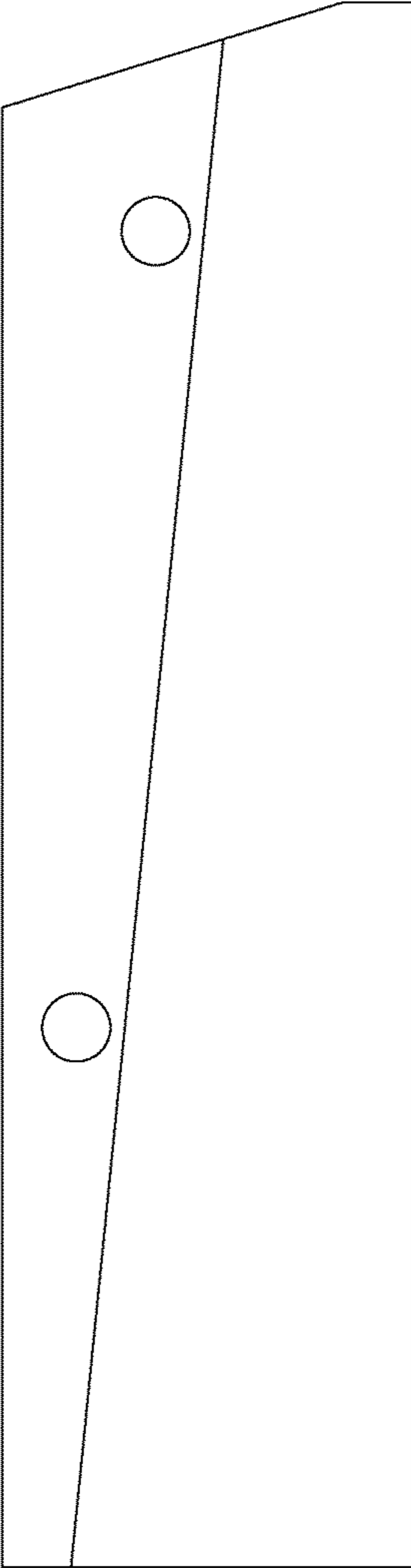


Fig. 2

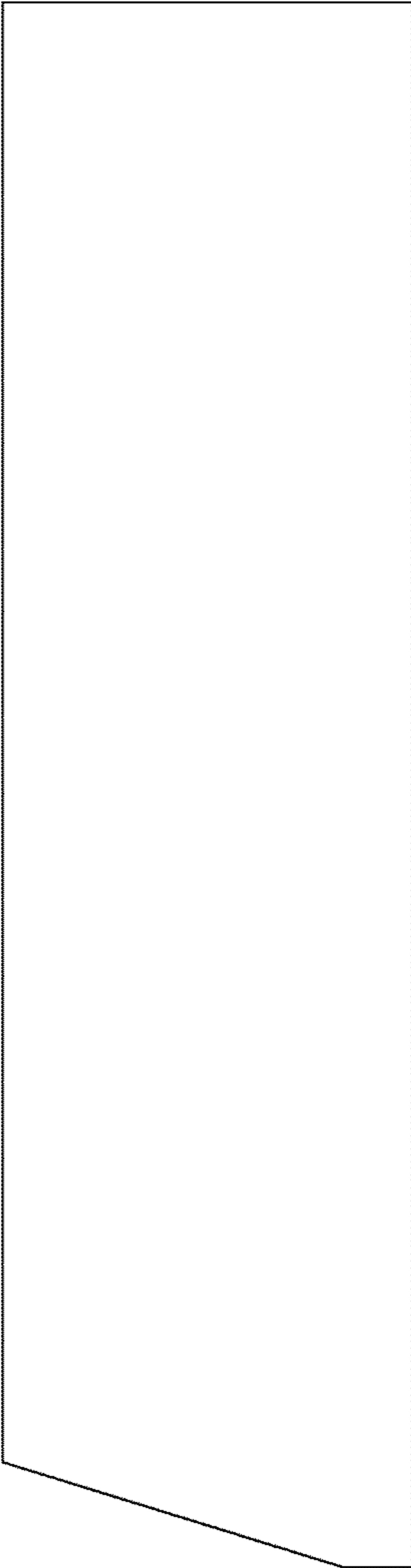


Fig. 3



Fig. 4



Fig. 5

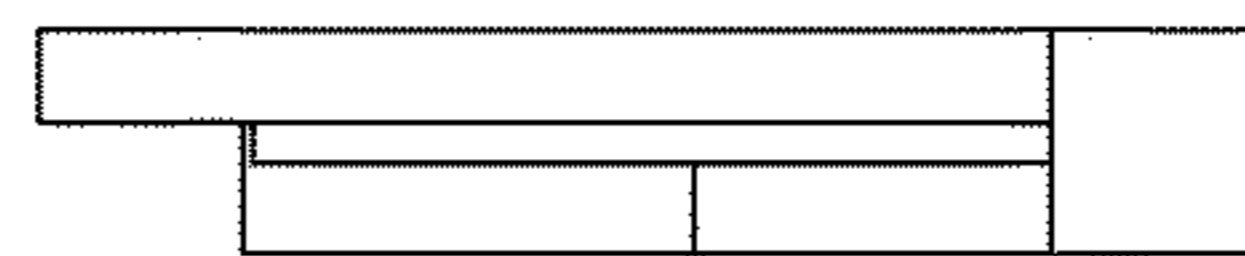


Fig. 6



Fig. 7