



US00D805763S

(12) **United States Design Patent** (10) **Patent No.:** **US D805,763 S**
Zhang (45) **Date of Patent:** **** *Dec. 26, 2017**

(54) **SMART PHONE CASE WITH A CREDIT CARD SLOT AND MONEY HOLDER**

(71) Applicant: **Yu Long Zhang**, Brooklyn, NY (US)

(72) Inventor: **Yu Long Zhang**, Brooklyn, NY (US)

(*) Notice: This patent is subject to a terminal disclaimer.

(**) Term: **15 Years**

(21) Appl. No.: **29/573,908**

(22) Filed: **Aug. 10, 2016**

(51) **LOC (10) Cl.** **03-01**

(52) **U.S. Cl.**
USPC **D3/218; D3/247**

(58) **Field of Classification Search**
USPC D3/218–219, 215, 201, 224, 226, 228, D3/247–248, 269, 300, 303; 224/214, 224/578, 674, 676–681, 901, 904; 206/305, 320, 576, 759, 762; 455/575.1–575.8; D14/248, 253, D14/250–251
CPC A45F 5/00; A45F 5/02; A45F 5/021; A45F 5/022; A45F 2005/05; A45F 2005/008; A45F 2005/2005; A45F 2005/02; A45F 2200/05; A45F 2200/0516
See application file for complete search history.

(56) **References Cited**

U.S. PATENT DOCUMENTS

- D613,056 S * 4/2010 Fahrendorff D3/218
- D692,230 S * 10/2013 Phillips D3/218
- D715,536 S * 10/2014 Basmaji D3/218

* cited by examiner

Primary Examiner — Catherine R Oliver-Garcia
(74) *Attorney, Agent, or Firm* — Gary E. Lambert; David J. Connaughton, Jr.; Lambert & Associates

(57) **CLAIM**

The ornamental design for a smart phone case with a credit card slot and money holder, as shown and described.

DESCRIPTION

FIG. 1 is a front isometric view of the smart phone case with a credit card slot and money holder, which embodies my design;

FIG. 2 is a rear isometric view of the smart phone case with a credit card slot and money holder;

FIG. 3 is a front isometric view of the smart phone case with a credit card slot and money holder;

FIG. 4 is a front isometric view of the smart phone case with a credit card slot and money holder.

FIG. 5 is a front view of the smart phone case with a credit card slot and money holder;

FIG. 6 is a rear view of the smart phone case with a credit card slot and money holder;

FIG. 7 is a top plan view of the smart phone case with a credit card slot and money holder;

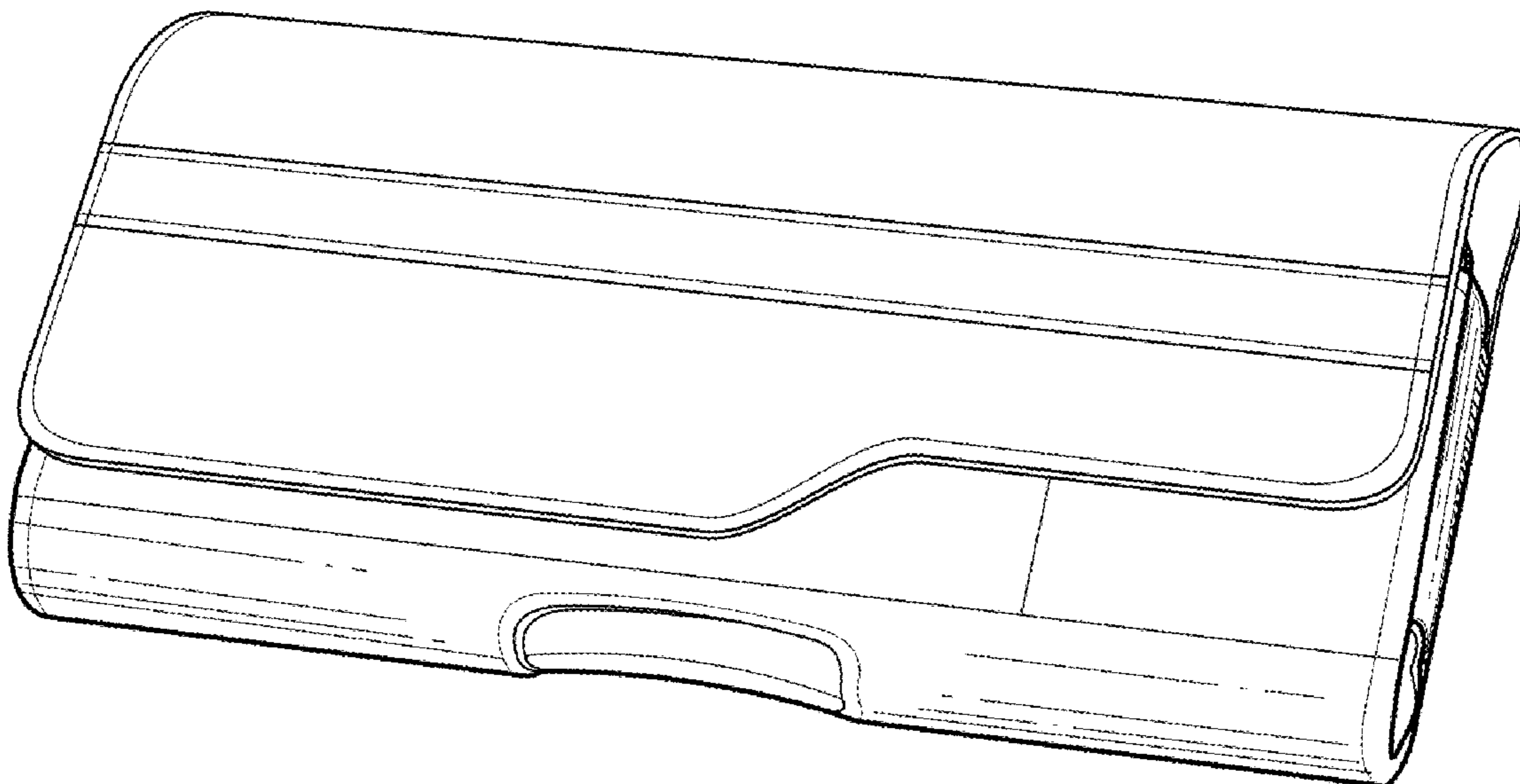
FIG. 8 is a bottom plan view of the smart phone case with a credit card slot and money holder;

FIG. 9 is a right side view of the smart phone case with a credit card slot and money holder; and,

FIG. 10 is a left side view of the smart phone case with a credit card slot and money holder.

The broken lines showing of environment in the drawing is included for the purpose of illustrating only and forms no part of the claimed design.

1 Claim, 4 Drawing Sheets



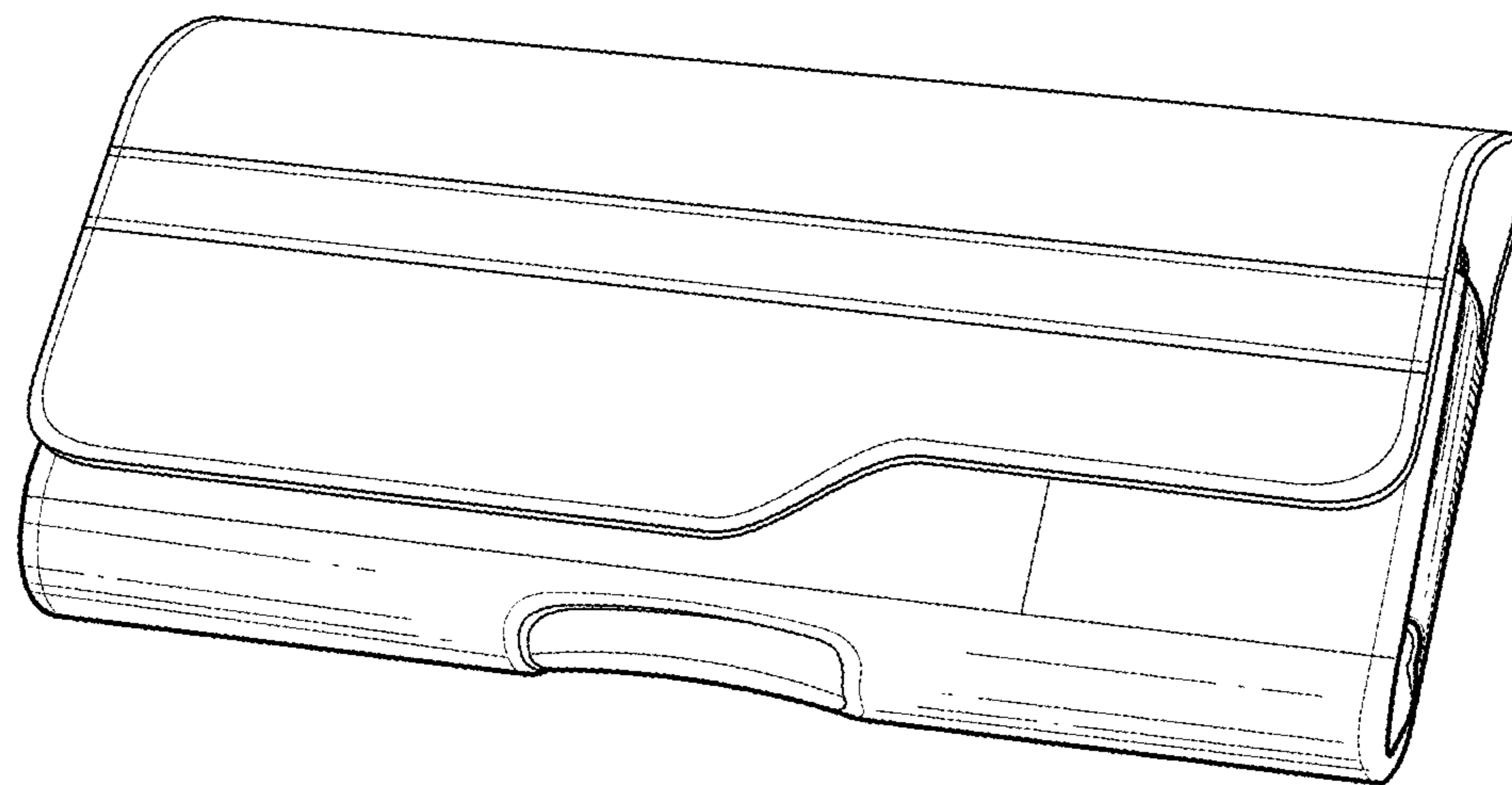


Fig. 1

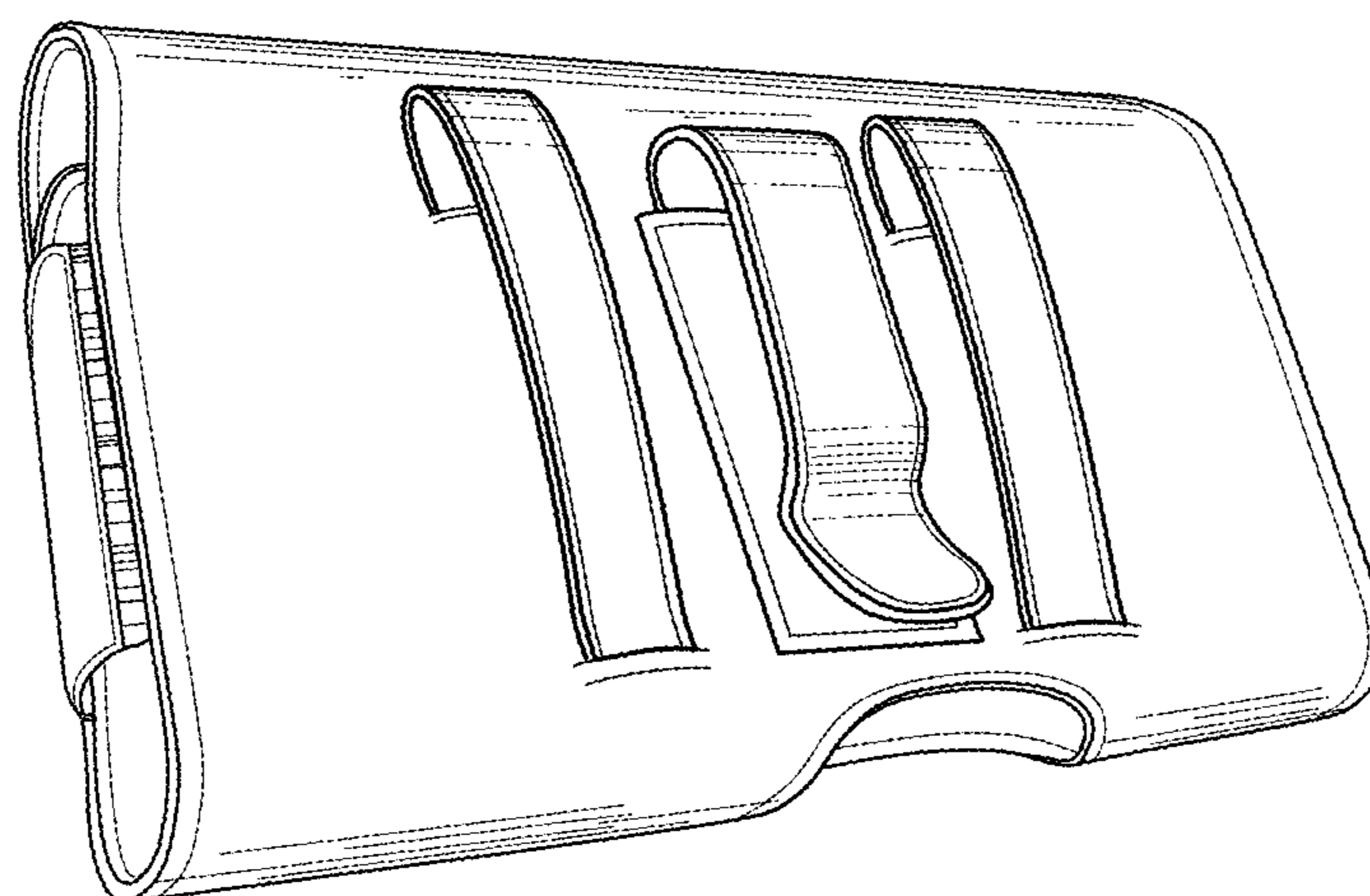


Fig. 2

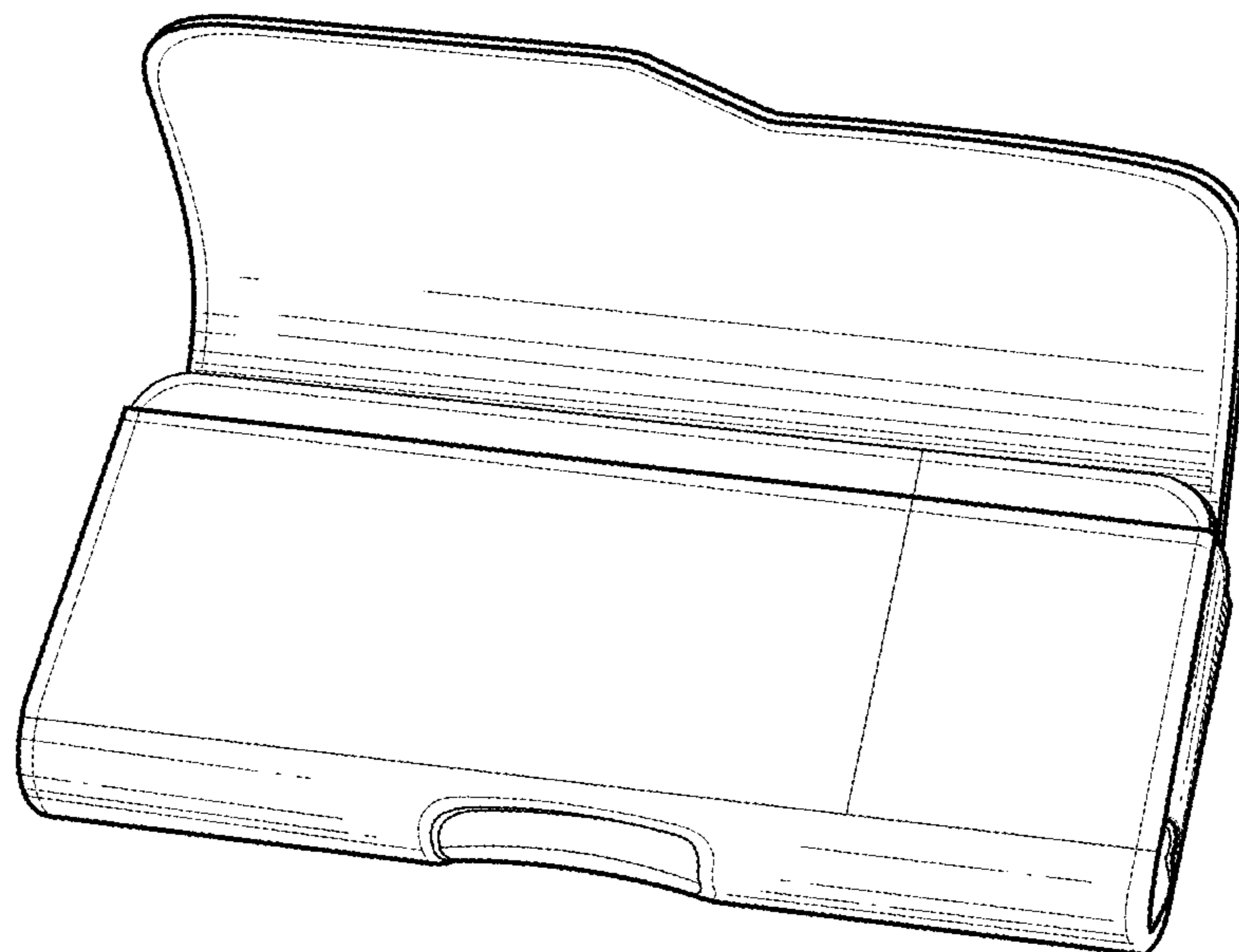


Fig. 3

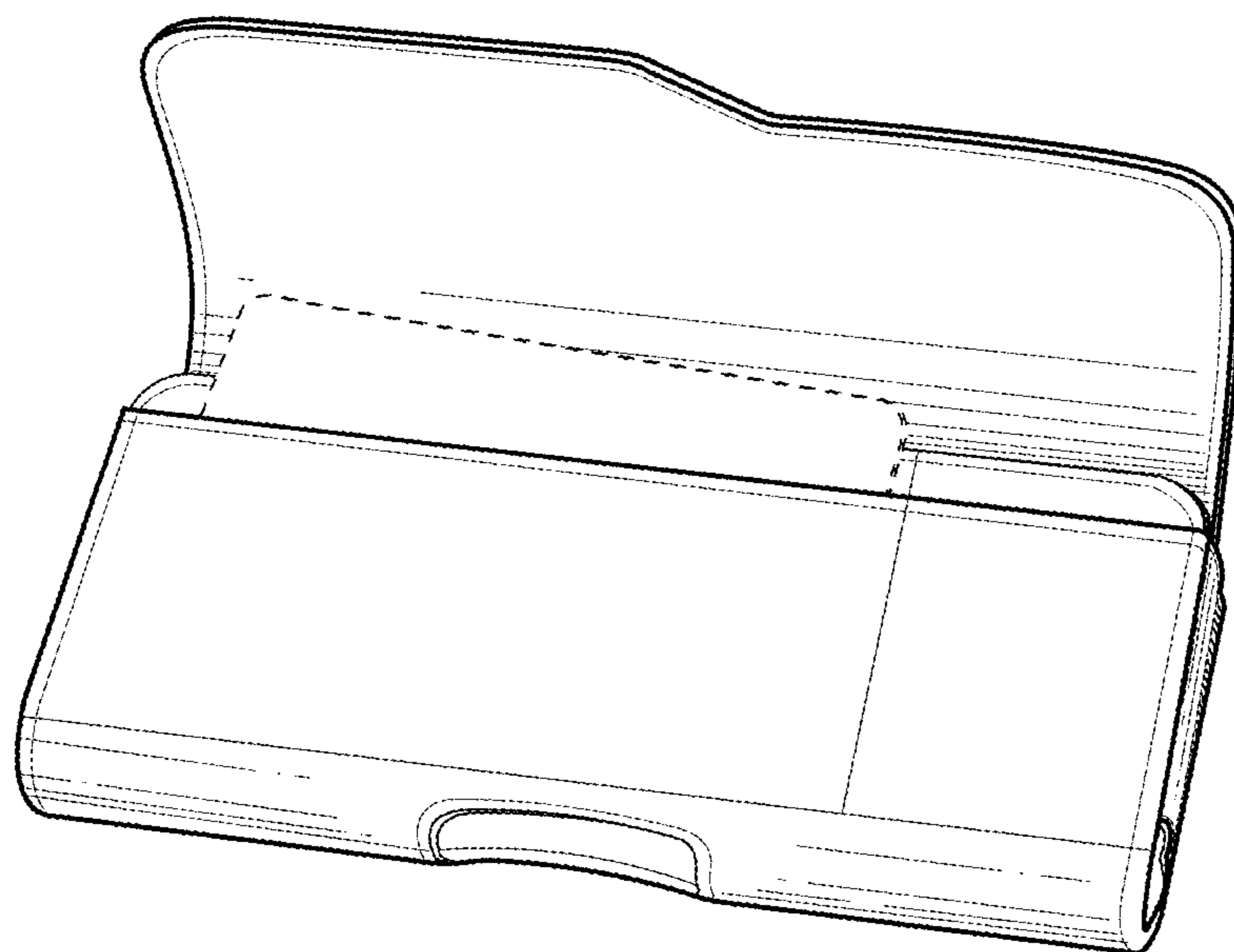


Fig. 4

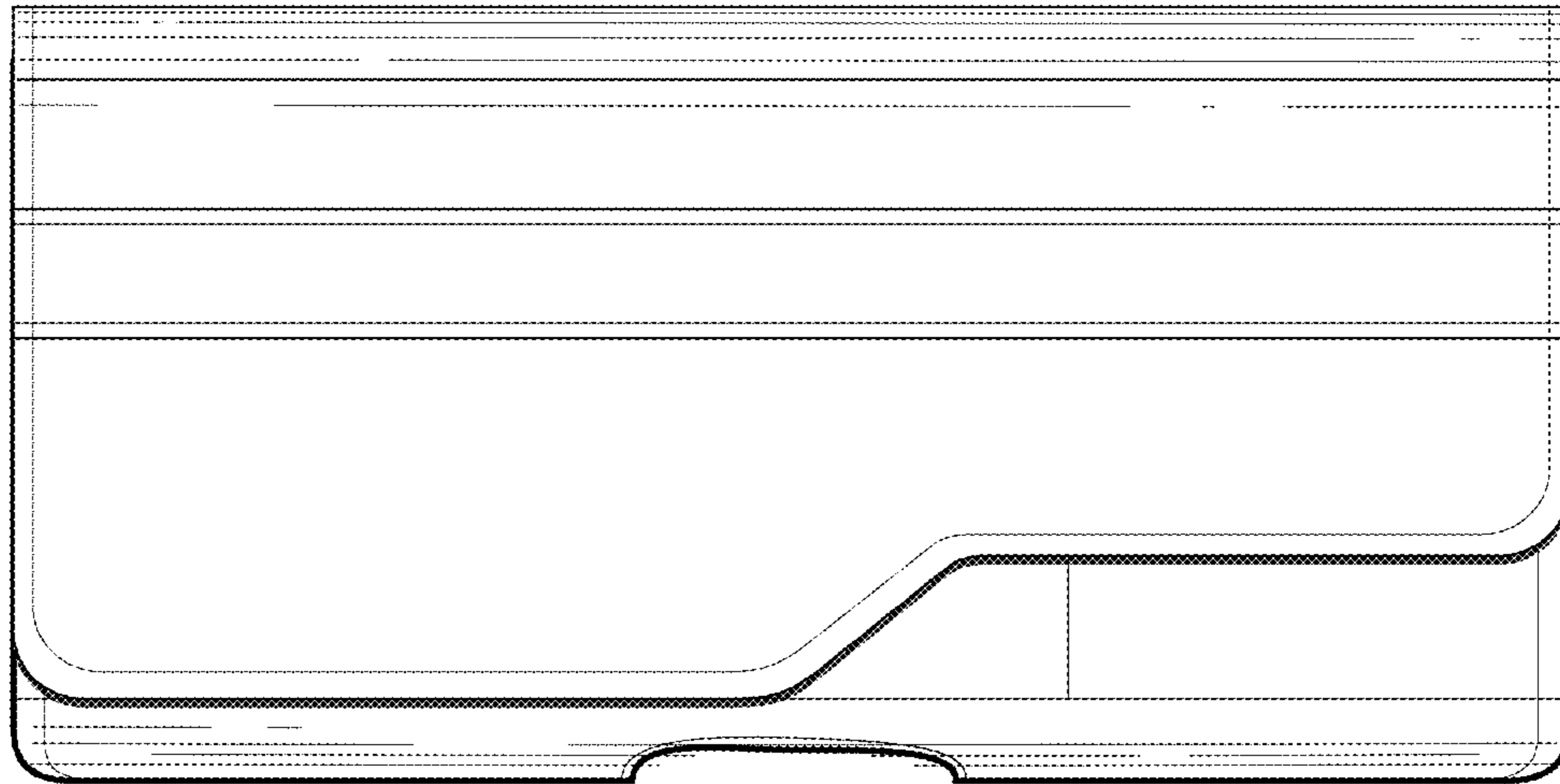


Fig. 5

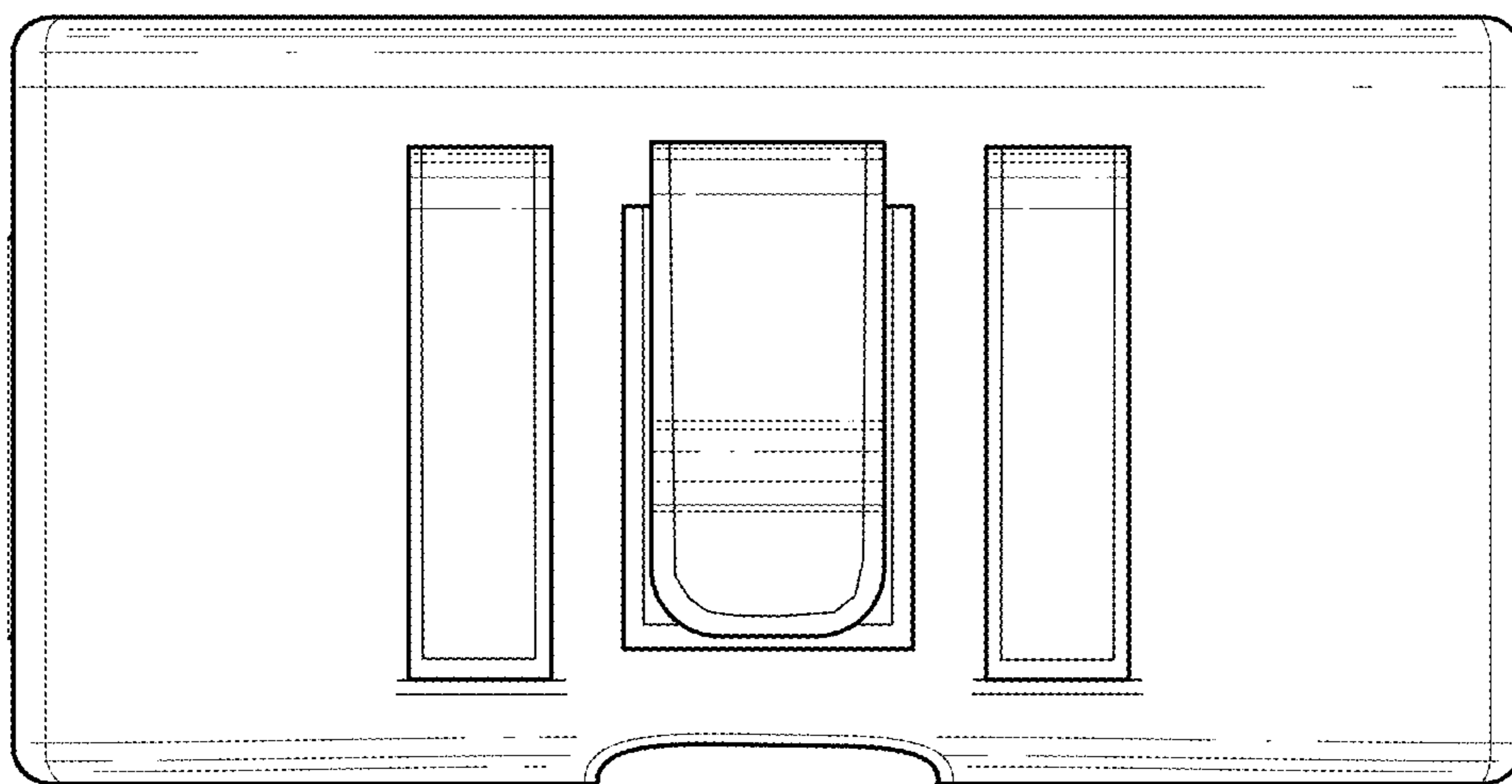


Fig. 6

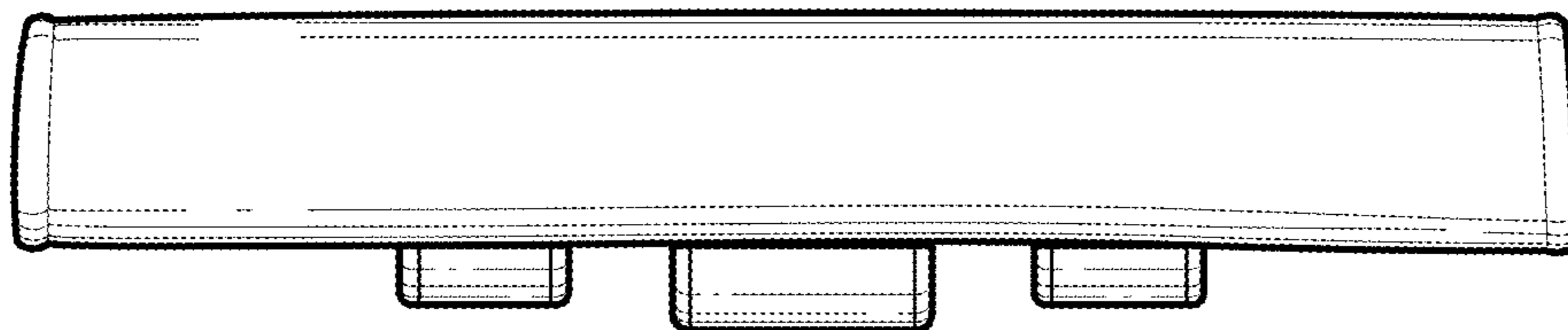


Fig. 7

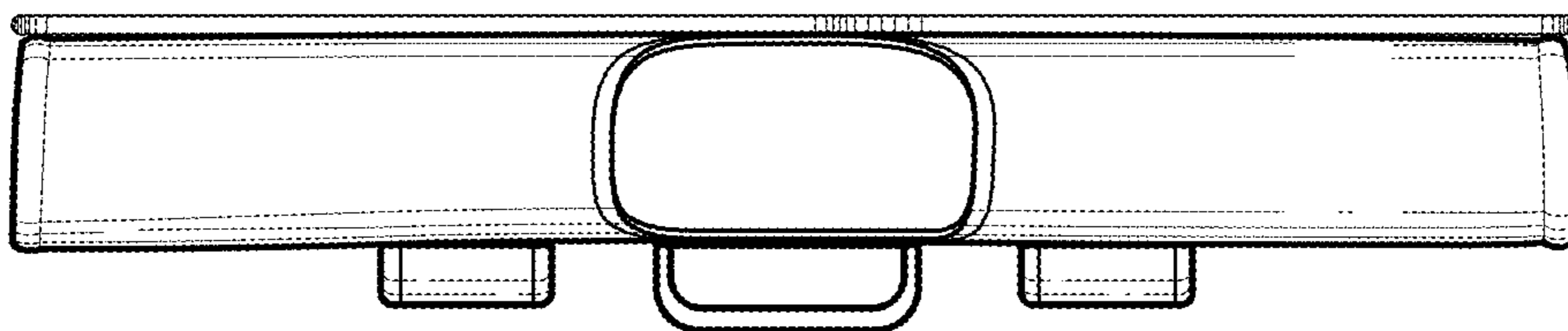


Fig. 8

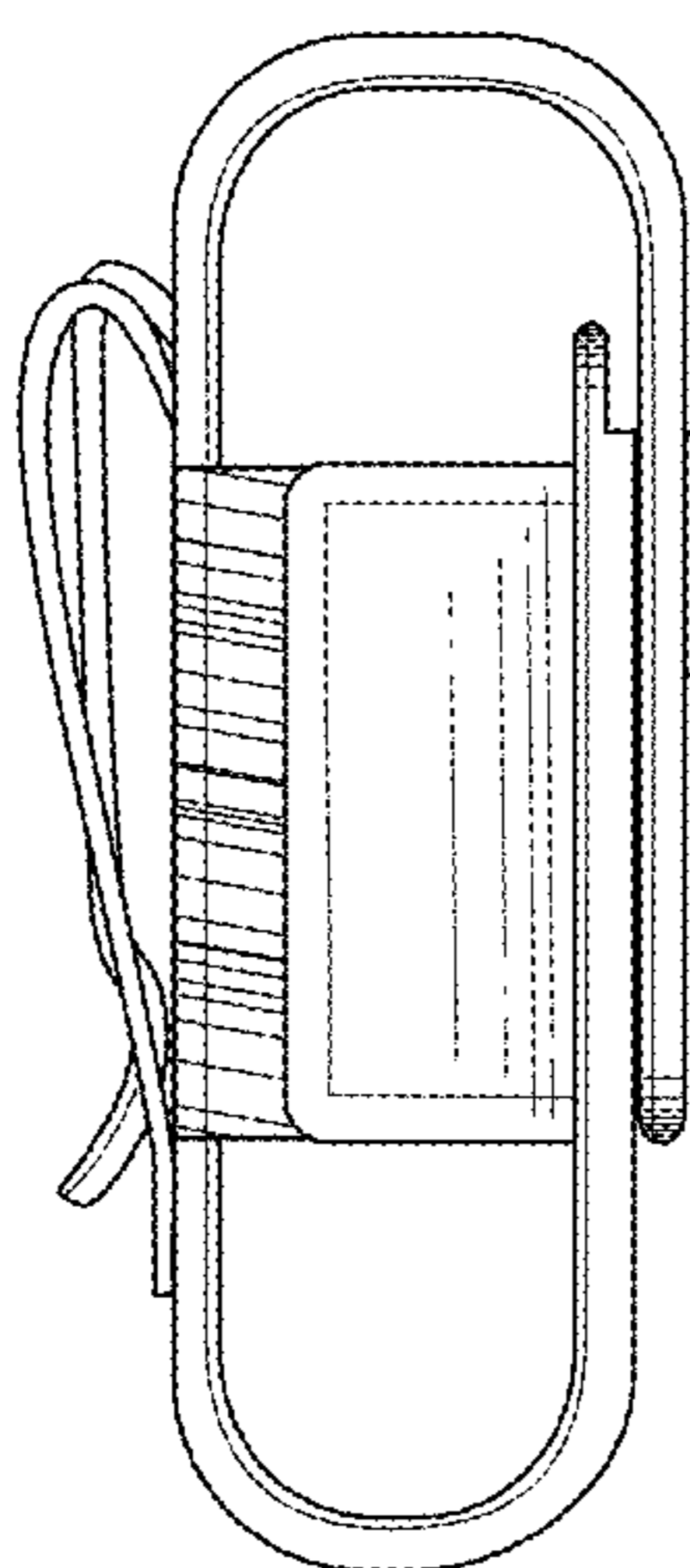


Fig. 9

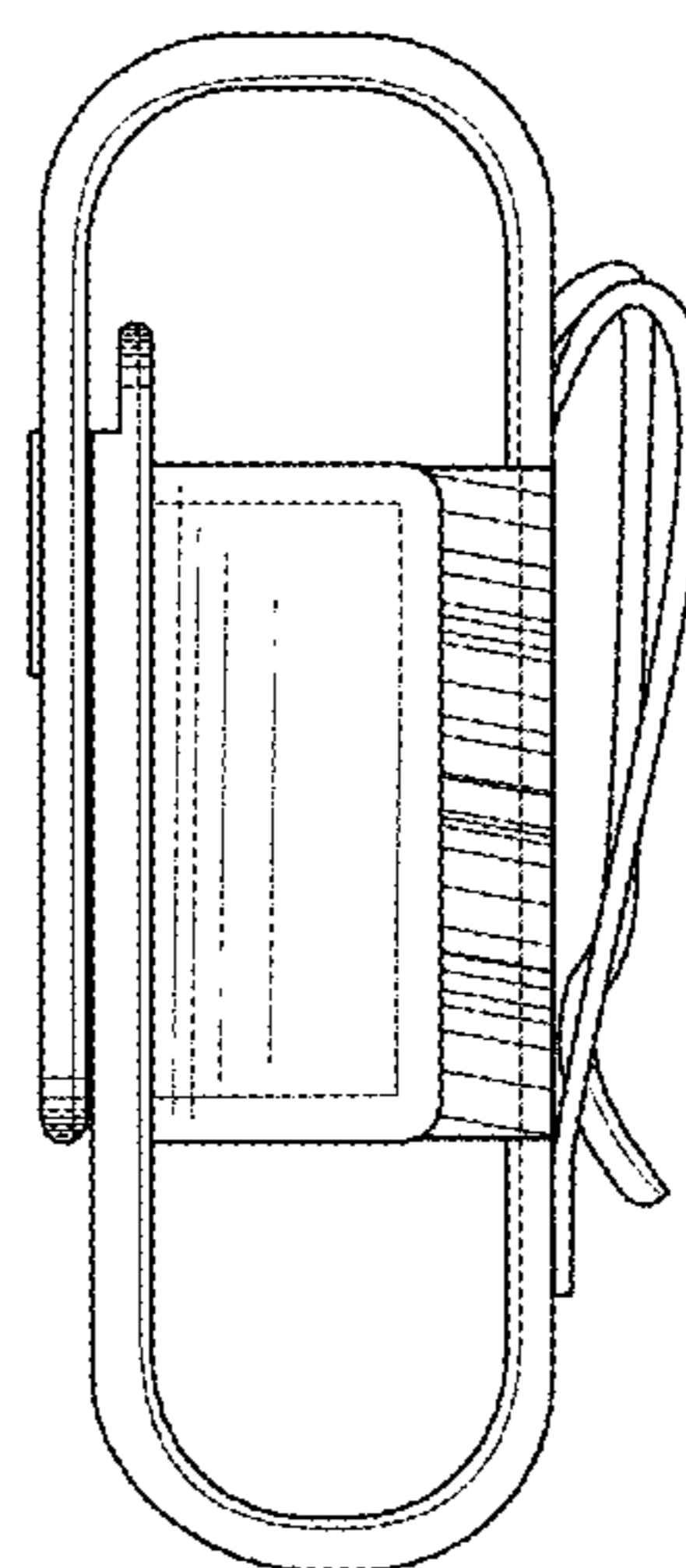


Fig. 10