



US00D805762S

(12) **United States Design Patent** (10) **Patent No.:** **US D805,762 S**
Lopez Avila et al. (45) **Date of Patent:** **** Dec. 26, 2017**

(54) **SORTATION AND DELIVERY BAG**
(71) Applicant: **Amazon Technologies, Inc.**, Seattle, WA (US)
(72) Inventors: **Luis Armando Lopez Avila**, Seattle, WA (US); **Edward McGavin**, Indianola, WA (US); **Steve Sanchez**, Seattle, WA (US); **Ayush Goel**, Seattle, WA (US); **Hari Kumar Rajendran**, Seattle, WA (US); **Hany Elkordy**, Sammamish, WA (US); **David Henry Clark**, Bellevue, WA (US)

(73) Assignee: **Amazon Technologies, Inc.**, Seattle, WA (US)

(**) Term: **15 Years**

(21) Appl. No.: **29/560,311**

(22) Filed: **Apr. 5, 2016**

(51) **LOC (10) Cl.** **03-01**

(52) **U.S. Cl.**
USPC **D3/217**

(58) **Field of Classification Search**
USPC D3/213, 214, 216, 217; D30/108, 109, D30/144
CPC A47D 13/025; A45F 3/04; A45F 3/14; A01K 1/0254; A01K 1/029; A01K 1/0236; A01K 1/0245
See application file for complete search history.

(56) **References Cited**

U.S. PATENT DOCUMENTS

D372,344 S * 7/1996 Alexis D30/114
D398,082 S * 9/1998 Martz D3/273
D398,083 S * 9/1998 Martz D3/273
D444,271 S * 6/2001 Farrugia D3/273
D558,406 S * 12/2007 King D30/109
D660,585 S * 5/2012 McDonald D3/217

D724,792 S * 3/2015 Renforth D30/109
D728,167 S * 4/2015 Renforth D30/109
D746,584 S * 1/2016 McDonald D3/216
D753,347 S * 4/2016 Lu D30/109
D762,059 S * 7/2016 Kliot D3/217
D768,981 S * 10/2016 Kliot D3/217
2008/0179205 A1 7/2008 Anthony
2011/0174811 A1 7/2011 Sabounjian
2014/0367304 A1* 12/2014 Kawano B65D 5/001
206/554

FOREIGN PATENT DOCUMENTS

GB 2445144 7/2008

OTHER PUBLICATIONS

U.S. Appl. No. 14/868,682, filed Sep. 29, 2015, Titled: Planning of Transportation Requests.

(Continued)

Primary Examiner — George D Kirschbaum

Assistant Examiner — Jennifer Watkins

(74) *Attorney, Agent, or Firm* — Kilpatrick Townsend & Stockton LLP

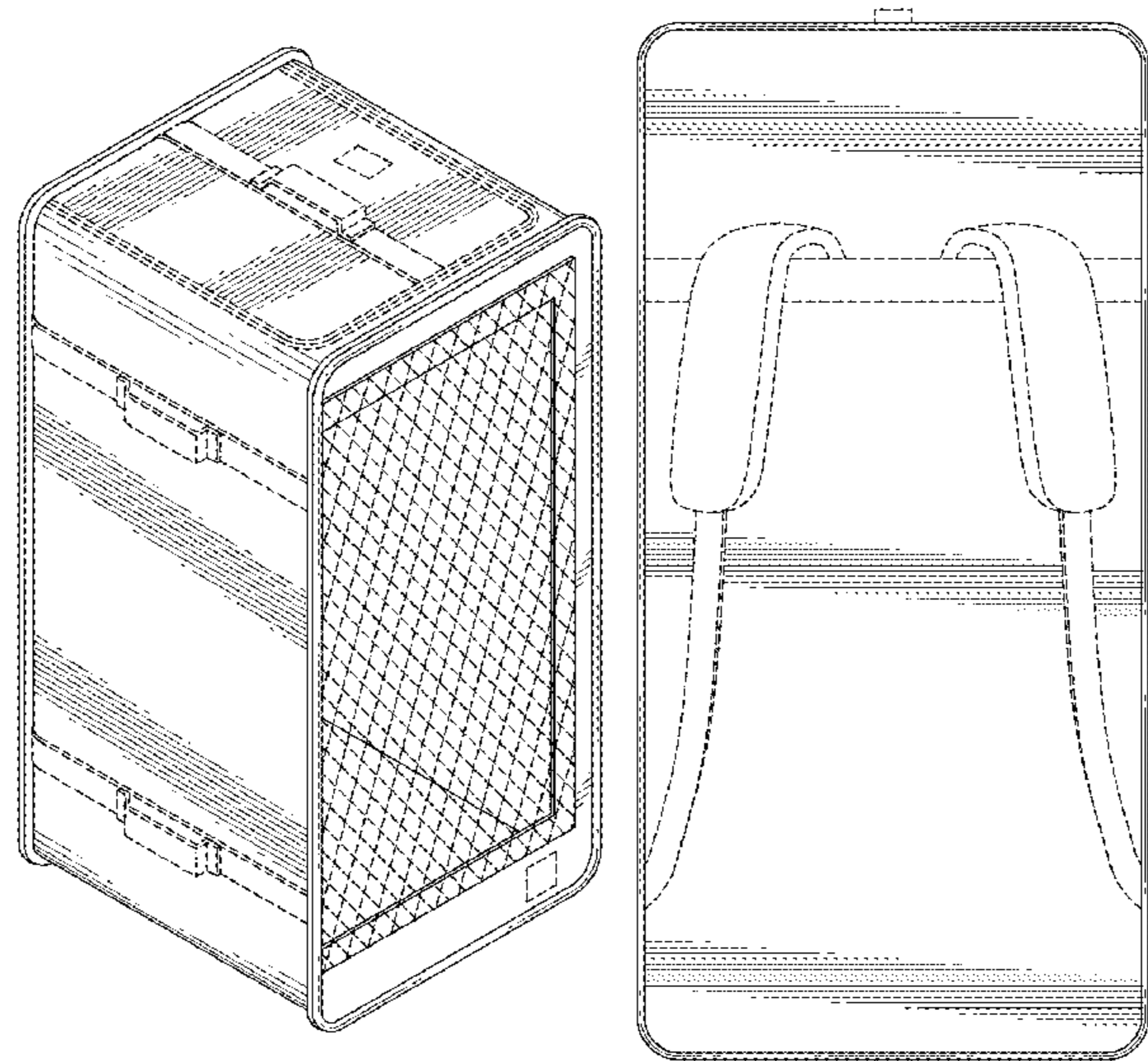
(57) **CLAIM**

The ornamental design for a sortation and delivery bag, as shown and described.

DESCRIPTION

FIG. 1 is a perspective view of a sortation and delivery bag showing our new design;
FIG. 2 is a right side elevational view thereof;
FIG. 3 is a left side elevational view thereof;
FIG. 4 is a front elevational view thereof;
FIG. 5 is a rear elevational view thereof;
FIG. 6 is a top plan view thereof; and,
FIG. 7 is a bottom plan view thereof.
The broken lines shown represent portions of the article that form no part of the claimed design.

1 Claim, 4 Drawing Sheets



(56)

References Cited

OTHER PUBLICATIONS

U.S. Appl. No. 15/151,959, filed May 11, 2016, Titled: Flexible and Scalable Last Mile Delivery.

U.S. Appl. No. 15/186,829, filed Jun. 20, 2016, Titled: Collapsible, Lightweight Container for Sorting and Delivery of Packaged Items.

* cited by examiner

FIG. 1

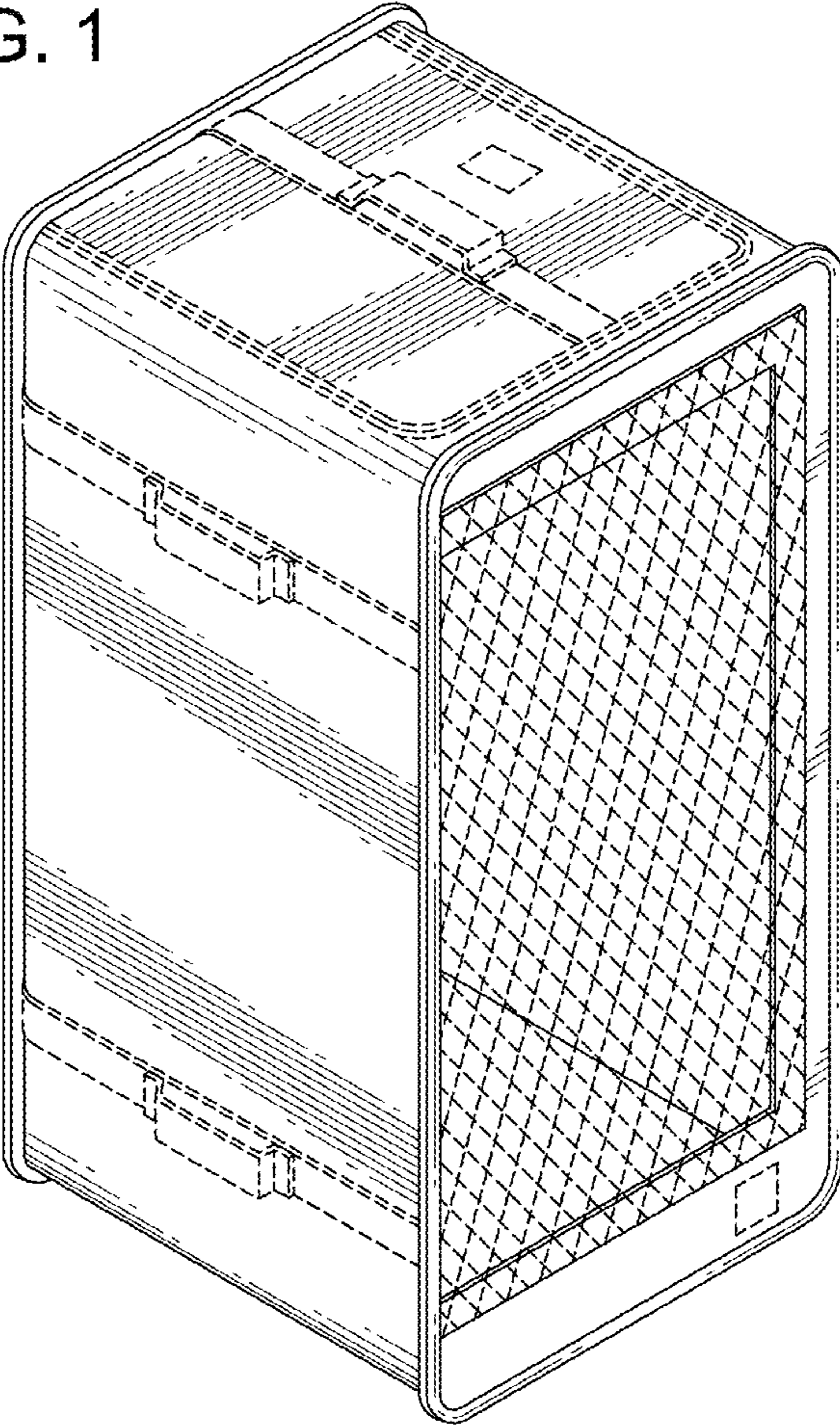


FIG. 2

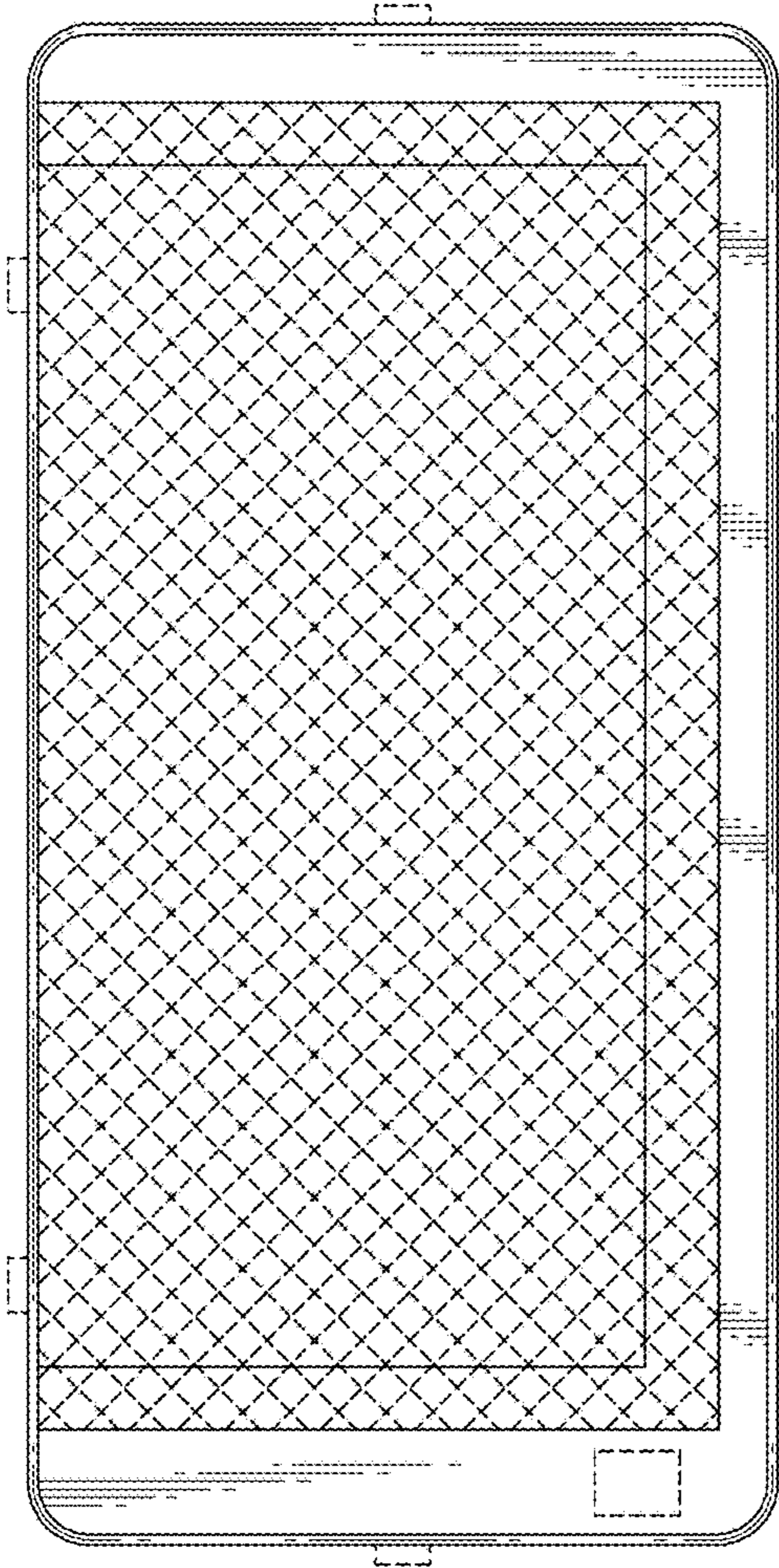


FIG. 3

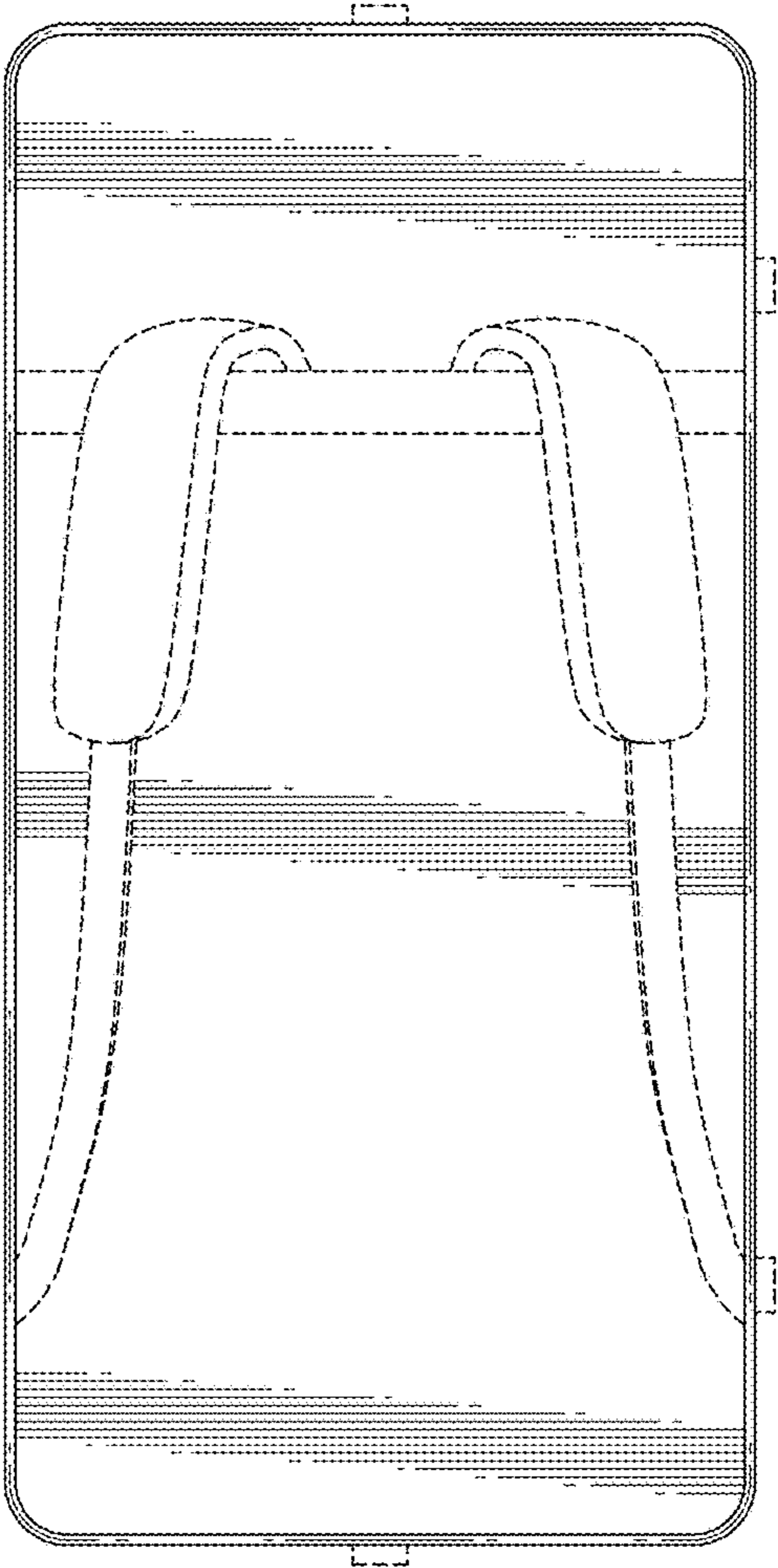


FIG. 4

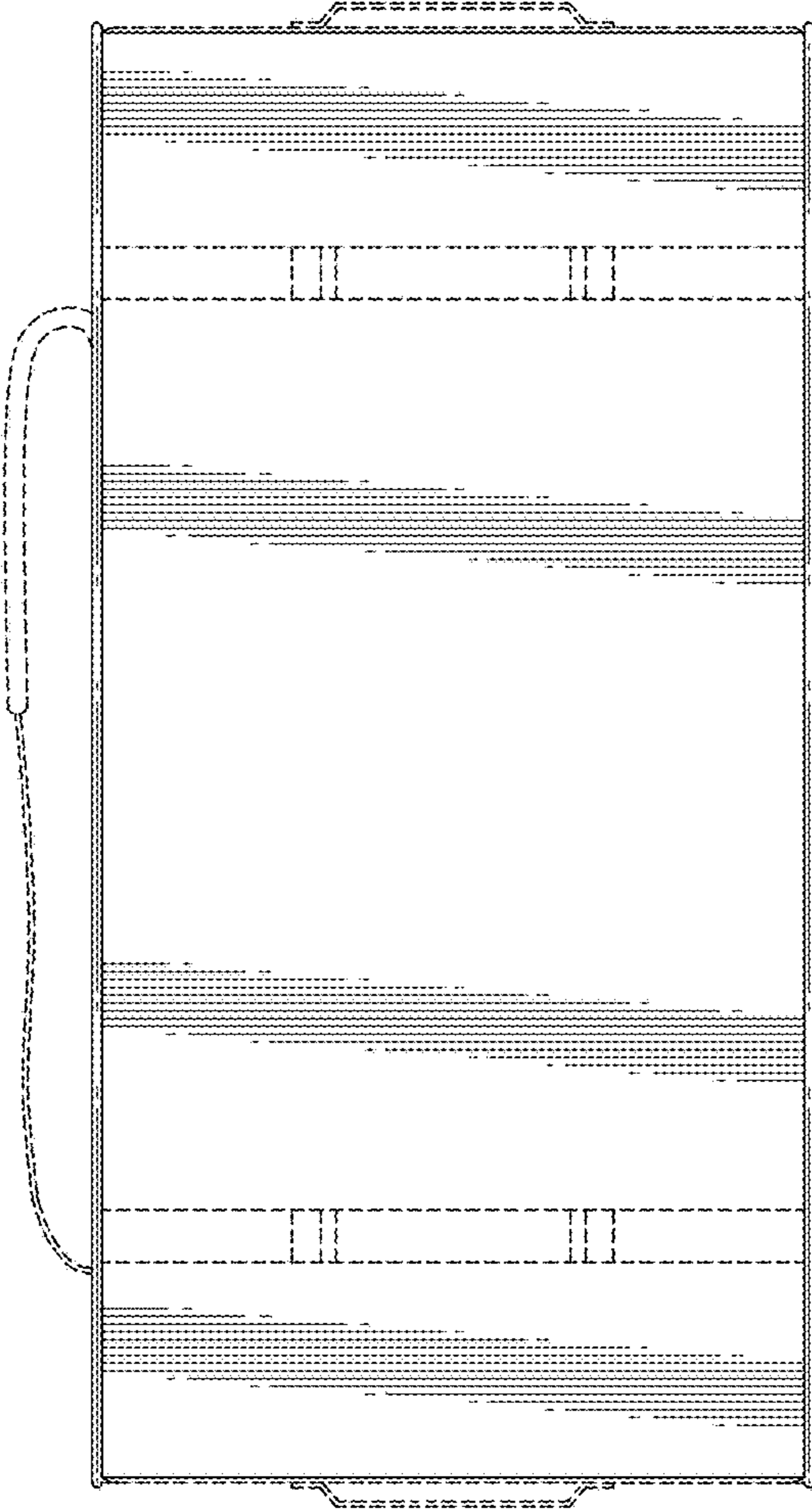


FIG. 5

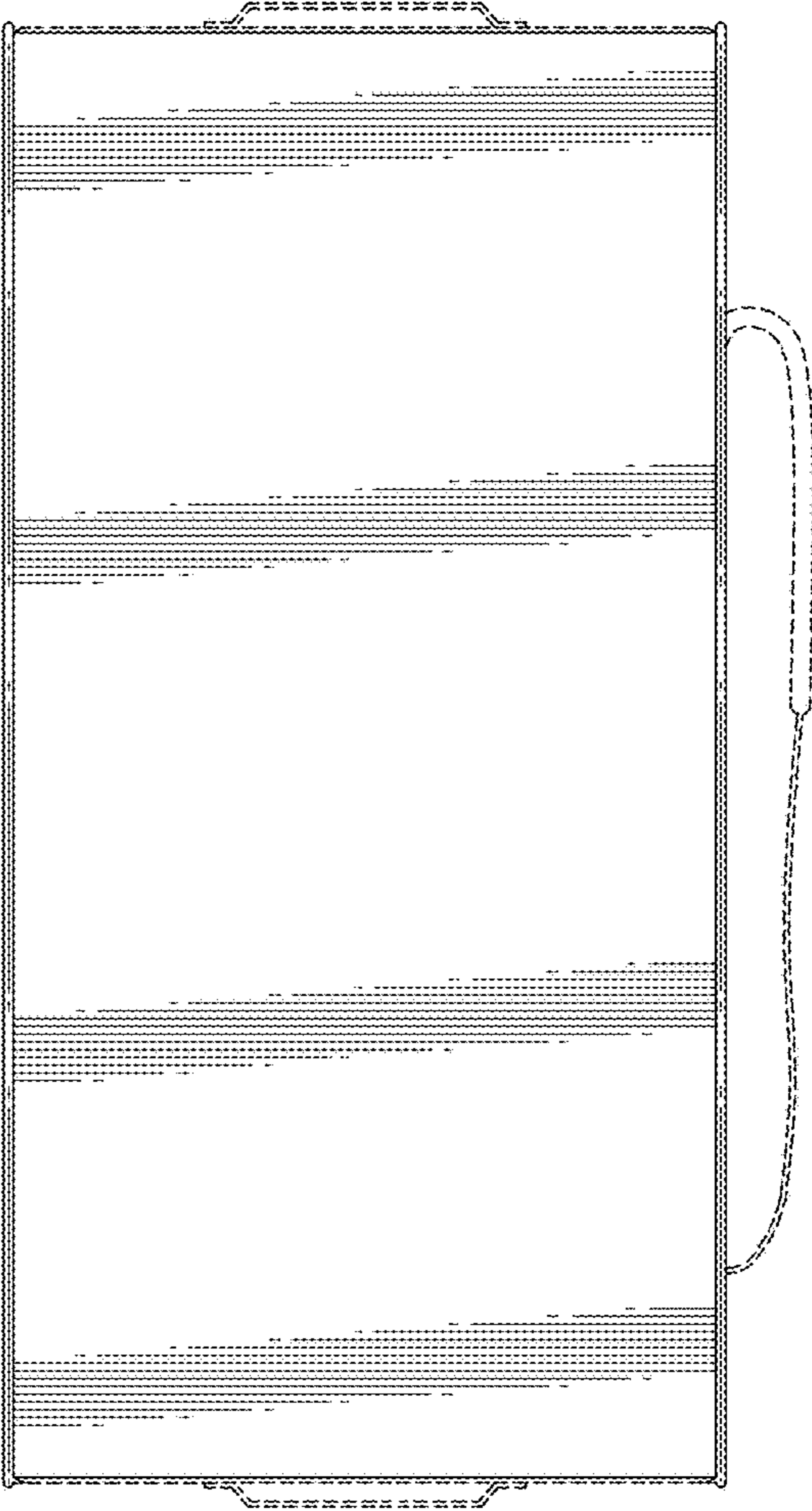


FIG. 6

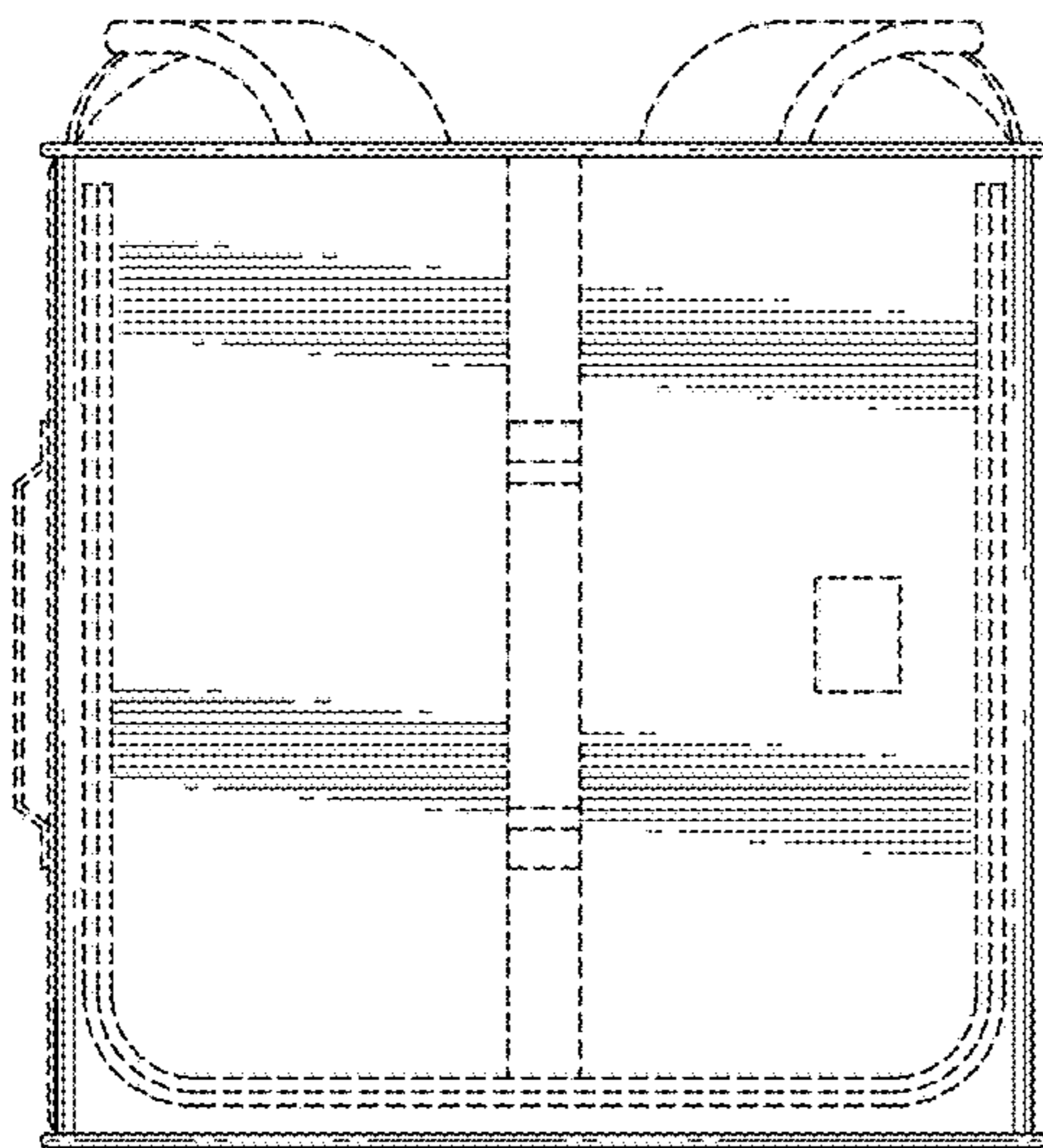


FIG. 7

