



US00D805761S

(12) **United States Design Patent** (10) **Patent No.:** **US D805,761 S**
Garcia (45) **Date of Patent:** **** Dec. 26, 2017**

- (54) **BACKPACK**
- (71) Applicant: **Gino Adonis Garcia**, Chandler, AZ
(US)
- (72) Inventor: **Gino Adonis Garcia**, Chandler, AZ
(US)
- (**) Term: **15 Years**
- (21) Appl. No.: **29/581,295**
- (22) Filed: **Oct. 18, 2016**
- (51) **LOC (10) Cl.** **03-01**
- (52) **U.S. Cl.**
USPC **D3/216**
- (58) **Field of Classification Search**
USPC D3/216, 232
CPC A45F 4/02; A45F 3/04
See application file for complete search history.

- 7,036,641 B2 * 5/2006 Russo A45C 5/143
190/115
- D681,324 S * 5/2013 Mohr D3/216
- D702,434 S * 4/2014 Chalk D3/216
- D747,104 S * 1/2016 Ford D3/216
- D748,918 S * 2/2016 Majeau D3/216

* cited by examiner

Primary Examiner — Holly H Baynham
 (74) *Attorney, Agent, or Firm* — Dunlap Bennett & Ludwig PLLC

(57) **CLAIM**

The ornamental design for a backpack, as shown and described.

DESCRIPTION

FIG. 1 is a front perspective view of a backpack;
 FIG. 2 is a front elevation view thereof;
 FIG. 3 is a rear elevation view thereof;
 FIG. 4 is a left side elevation view thereof;
 FIG. 5 is a right side elevation view thereof;
 FIG. 6 is a top plan view thereof; and,
 FIG. 7 is a bottom plan view thereof.

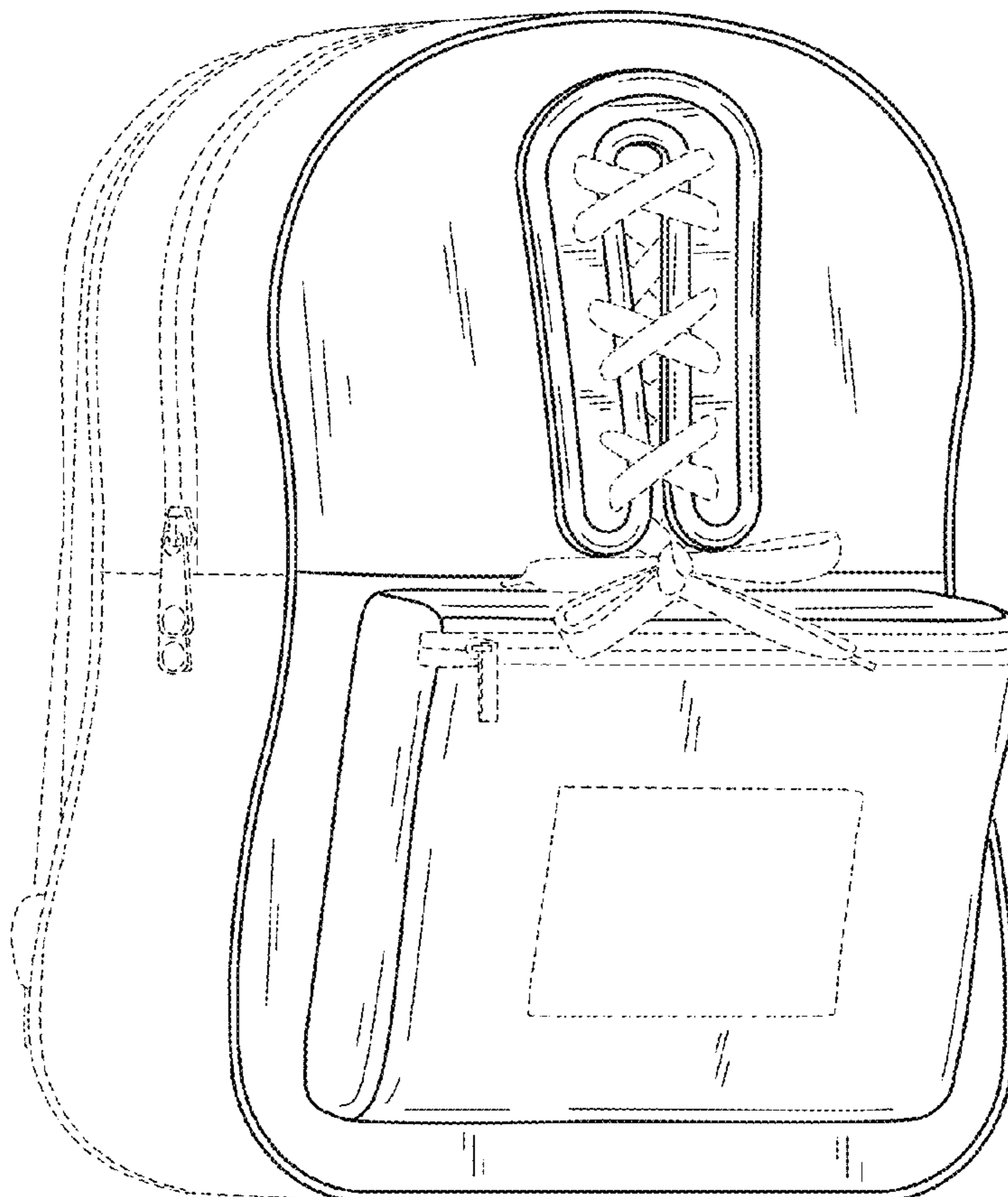
The broken lines shown in the drawings depict portions of the backpack that form no part of the claimed design.

(56) **References Cited**

U.S. PATENT DOCUMENTS

- D399,053 S * 10/1998 de Moraes D3/216
- D457,306 S * 5/2002 Szyf D3/216
- D500,590 S * 1/2005 Sachen D3/216

1 Claim, 5 Drawing Sheets



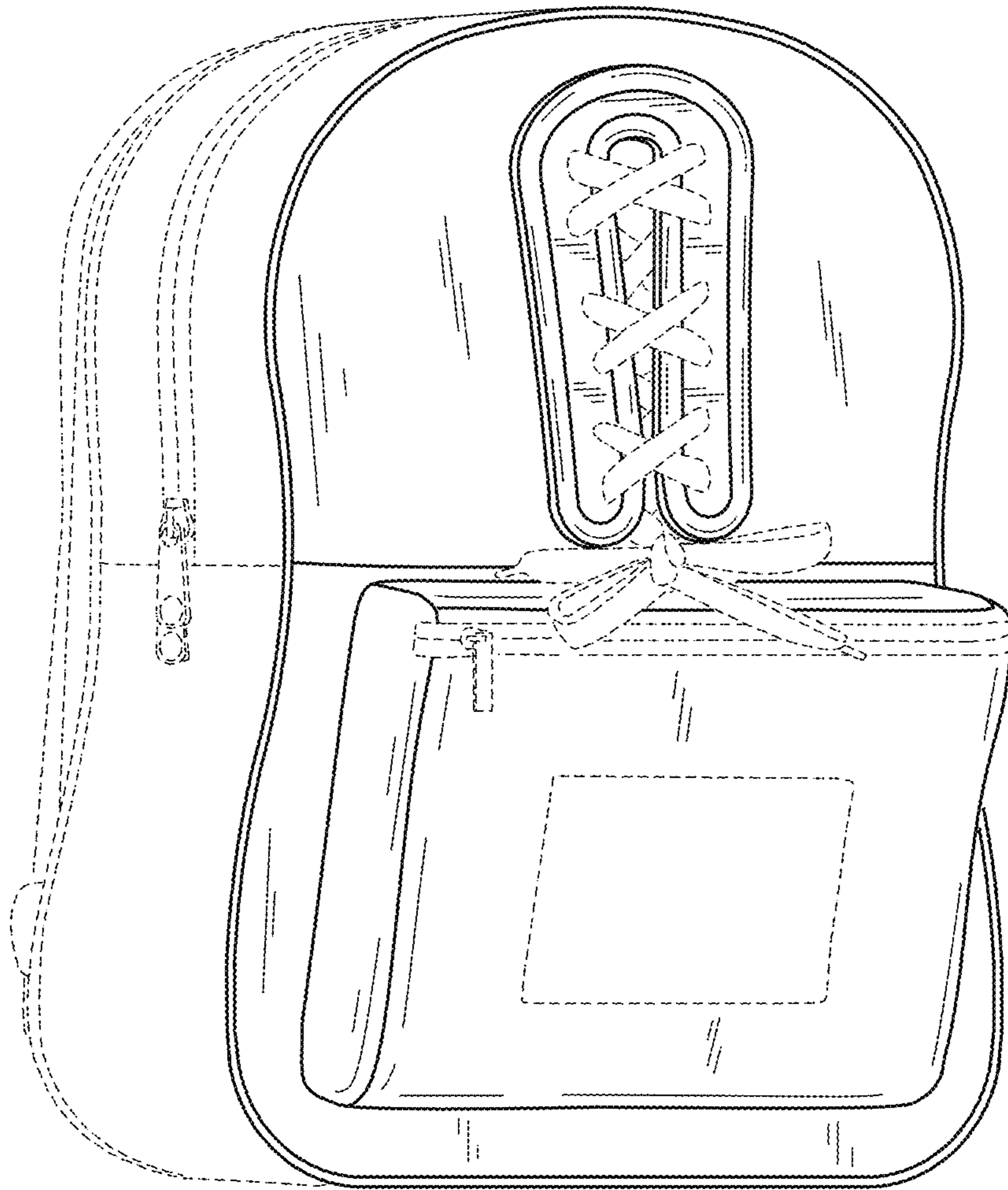


FIG. 1

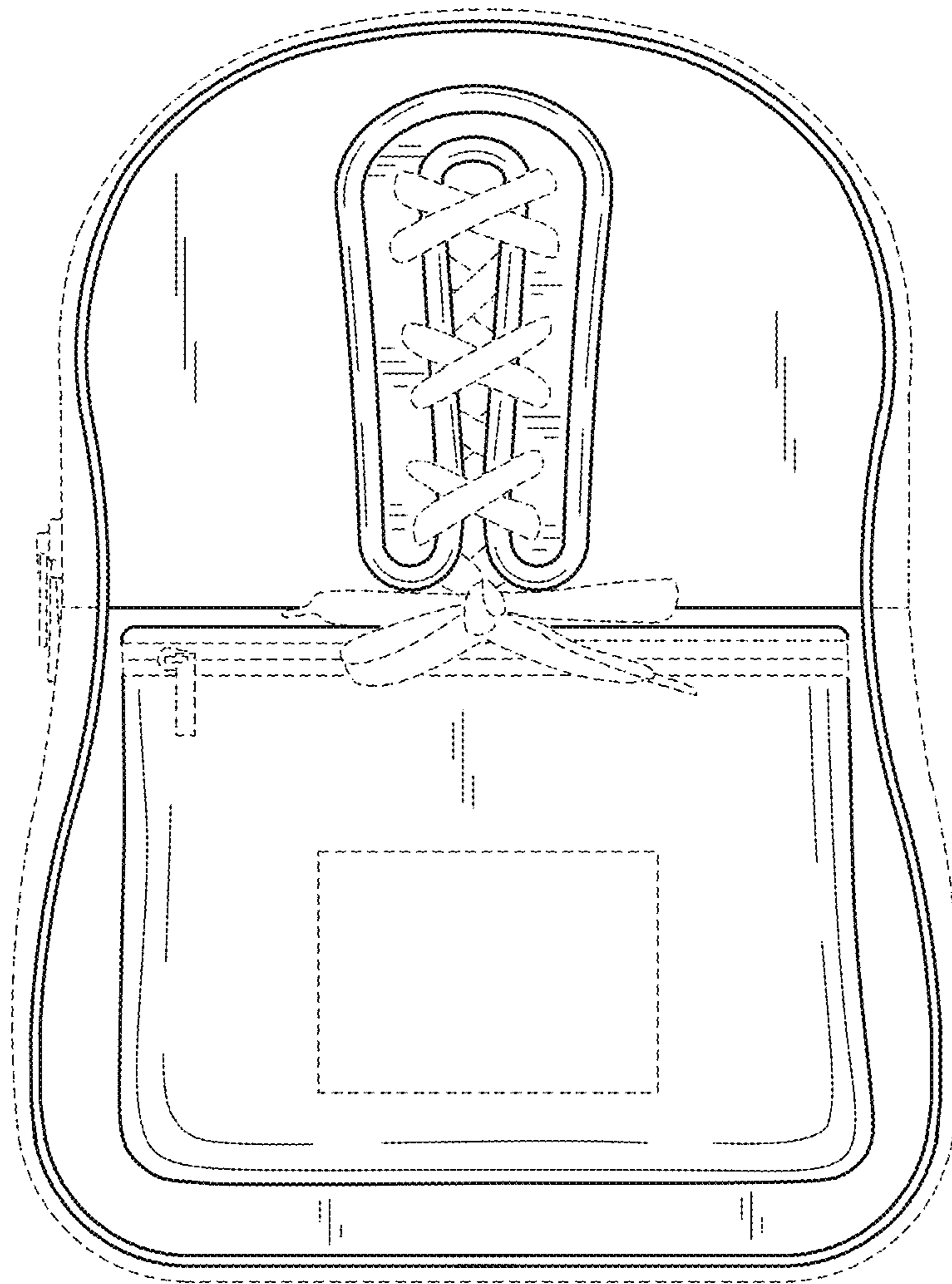


FIG. 2

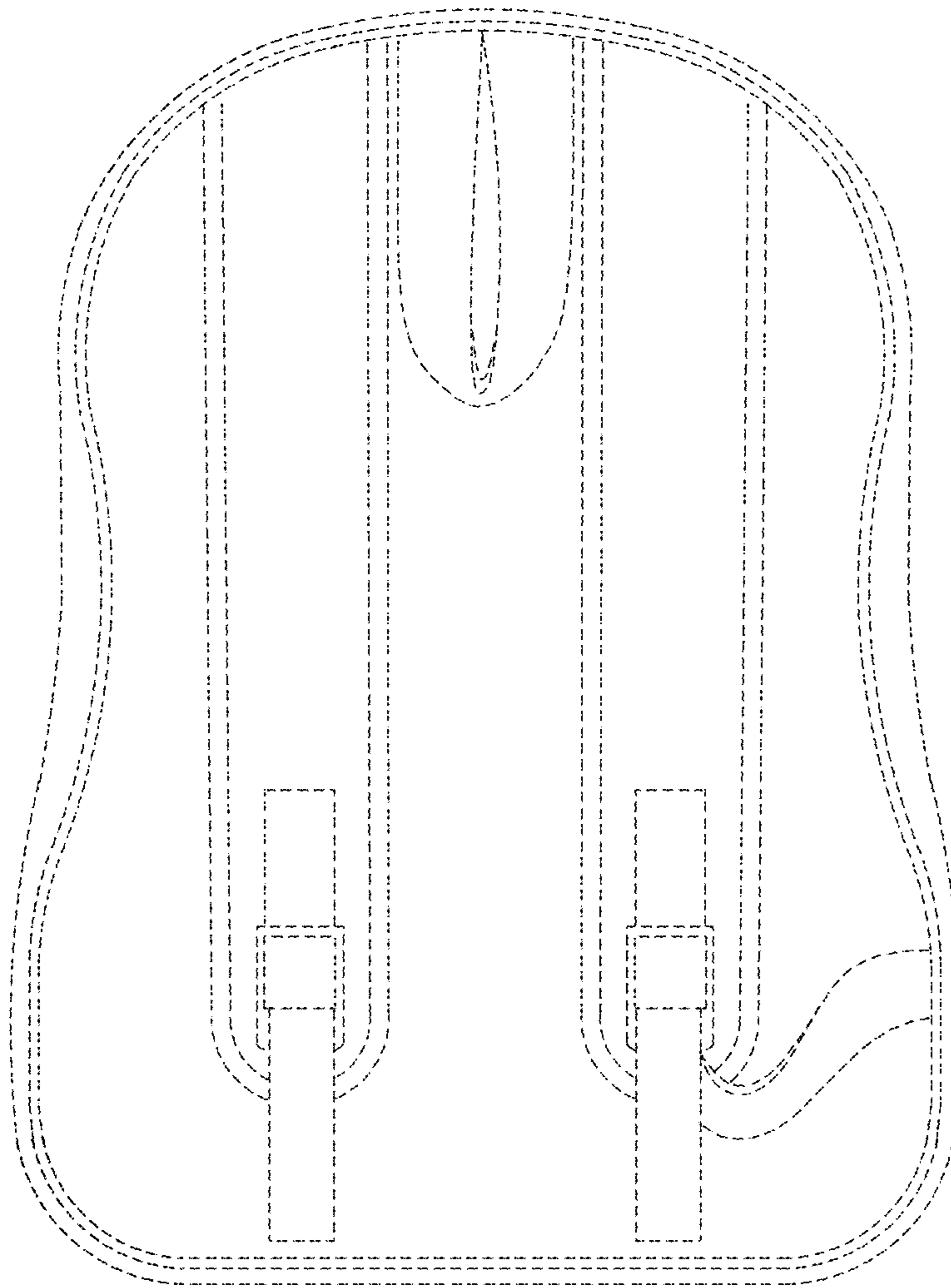


FIG. 3

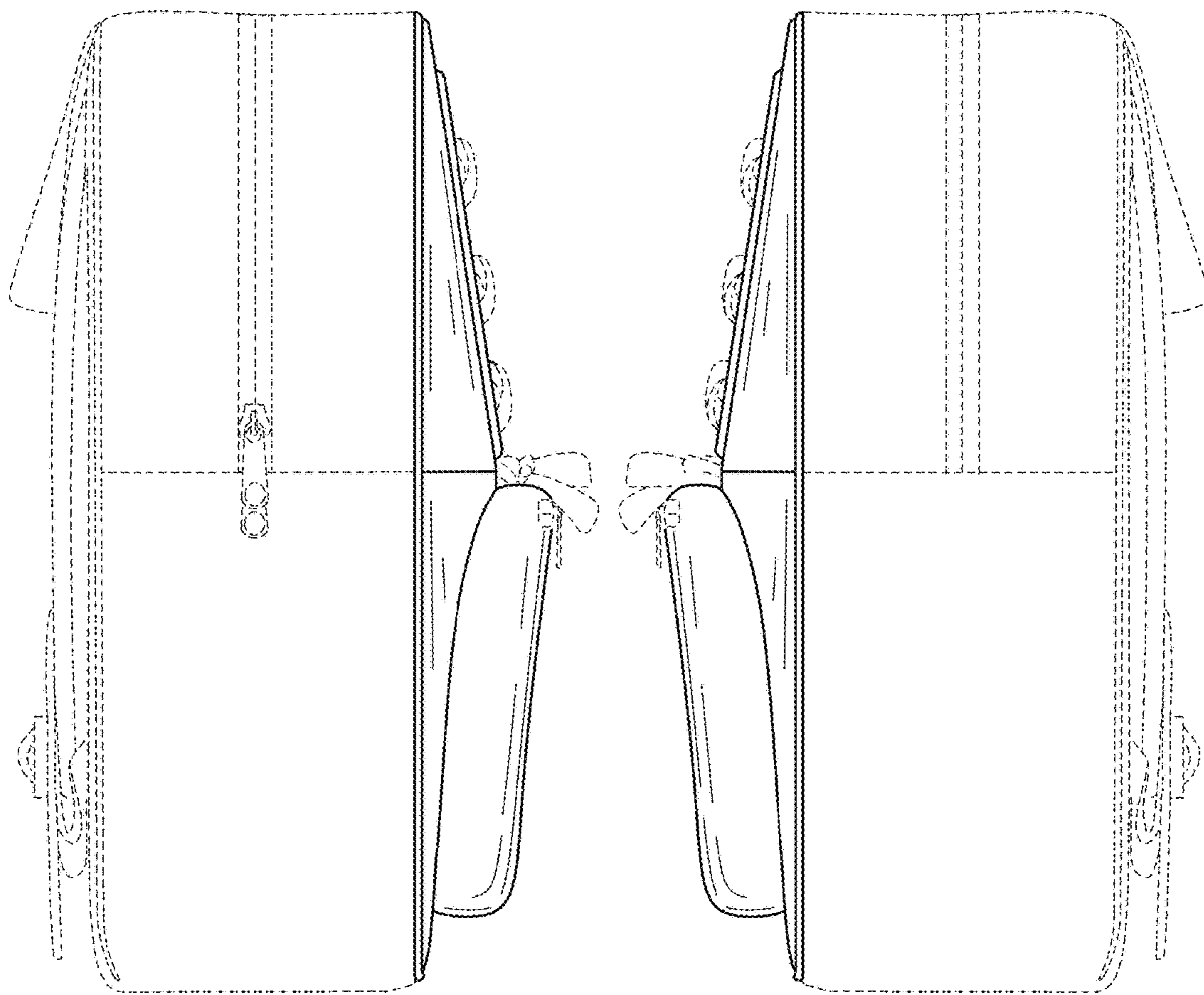


FIG. 4

FIG. 5

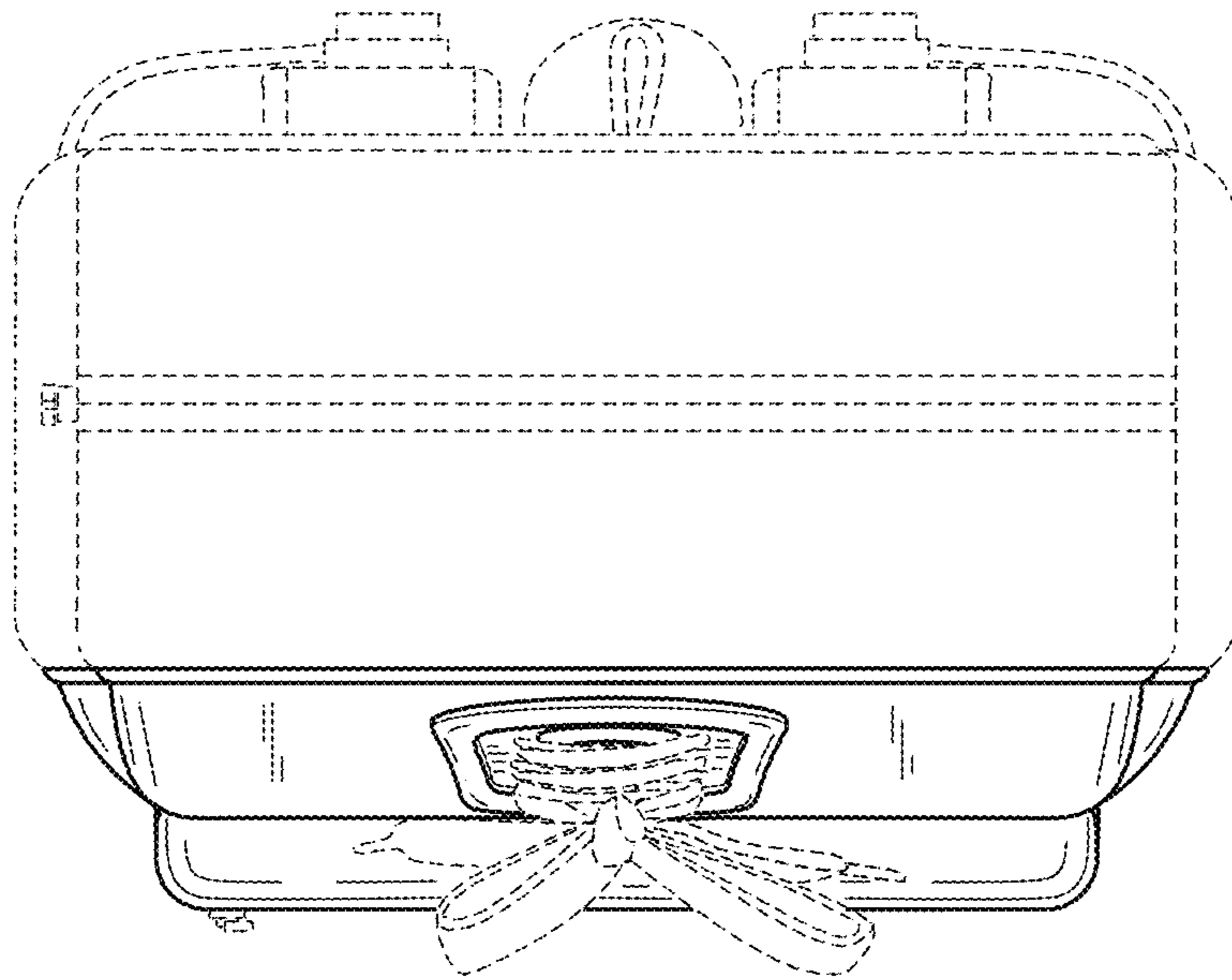


FIG. 6

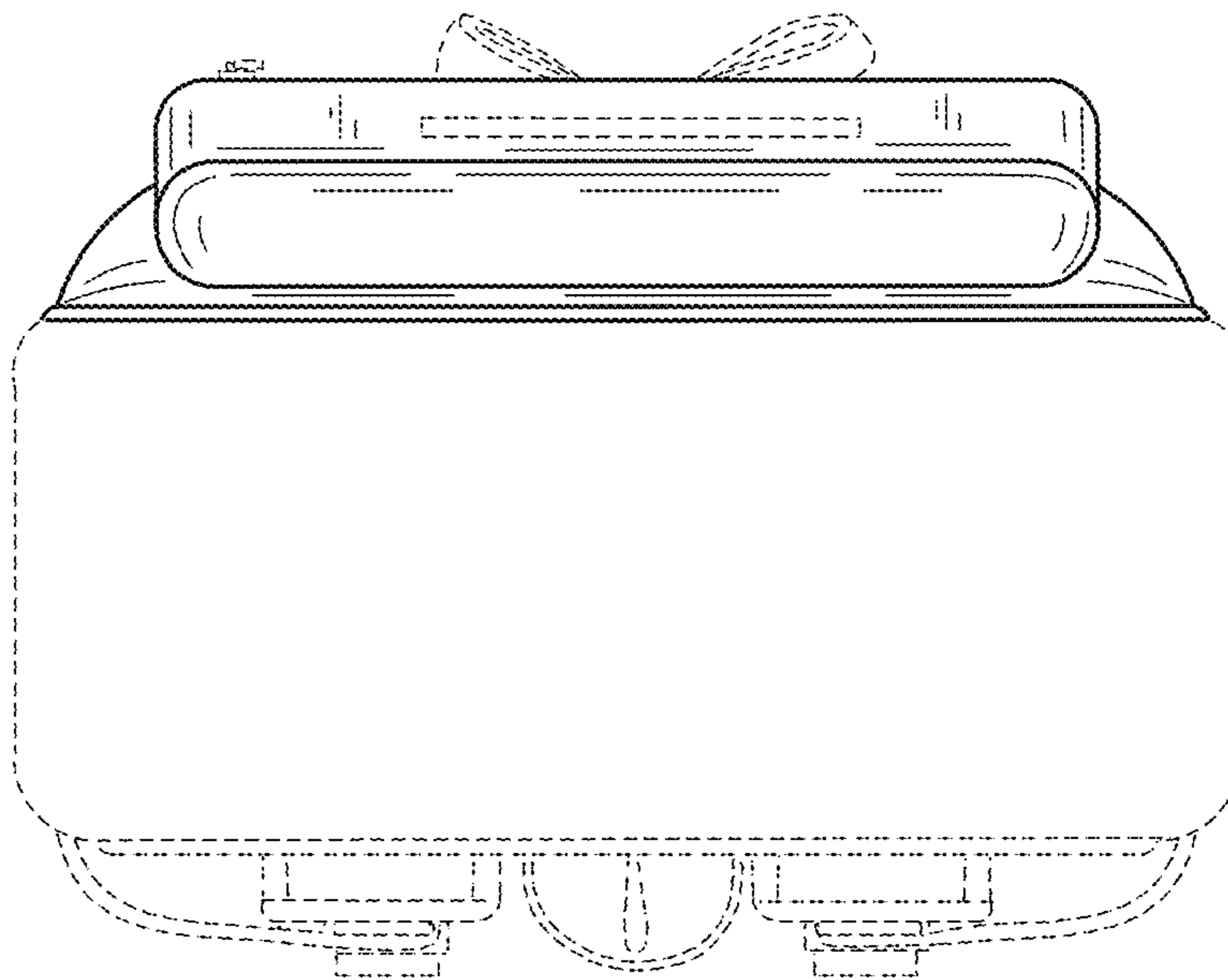


FIG. 7