



US00D805747S

(12) **United States Design Patent** (10) **Patent No.:** **US D805,747 S**
Carmi et al. (45) **Date of Patent:** **** Dec. 26, 2017**

(54) **SHOE INSERT**
(71) Applicants: **Itamar Carmi**, Teaneck, NJ (US);
Rachel Carmi, Teaneck, NJ (US)
(72) Inventors: **Itamar Carmi**, Teaneck, NJ (US);
Rachel Carmi, Teaneck, NJ (US)
(**) Term: **15 Years**
(21) Appl. No.: **29/592,873**
(22) Filed: **Feb. 3, 2017**
(51) **LOC (10) Cl.** **02-04**
(52) **U.S. Cl.**
USPC **D2/961**
(58) **Field of Classification Search**
USPC D2/896, 946, 961
CPC A43B 1/00; A43B 1/10; A43B 1/12; A43B
1/14; A43B 3/00; A43B 7/00; A43B 7/14;
A43B 7/1405; A43B 7/141; A43B
7/1415; A43B 7/142; A43B 7/1425; A43B
7/143; A43B 7/1435; A43B 7/144; A43B
7/1445; A43B 7/145; A43B 7/1455; A43B
7/146; A43B 7/1465; A43B 7/1475; A43B
7/148; A43B 7/1485; A43B 7/149; A43B
7/32; A43B 17/00; A43B 17/003; A43B
17/006; A43B 17/02; A43B 17/023; A43B
17/026; A43B 17/03; A43B 17/105; A43B
17/14

See application file for complete search history.

(56) **References Cited**
U.S. PATENT DOCUMENTS

D25,242 S * 3/1896 Hills 36/37
1,403,970 A * 1/1922 Lioy A43B 21/32
36/3 B

1,861,969 A * 6/1932 Leighton, Jr. A43B 21/00
12/147 R
5,732,481 A * 3/1998 Farhad A43B 7/14
36/37
D403,847 S * 1/1999 Blythe D2/961
D543,680 S * 6/2007 Dean D2/961
D551,835 S * 10/2007 Hung D2/961
D640,047 S * 6/2011 Claassen D2/960
D646,049 S * 10/2011 Dowling D2/953
D661,076 S * 6/2012 Appel D2/961
D663,511 S * 7/2012 Martinez D2/917
D701,028 S * 3/2014 Remington D2/961
D722,756 S * 2/2015 Vasyli D2/961
D738,600 S * 9/2015 Vasyli D2/947
D746,569 S * 1/2016 Lin D2/961
D797,428 S * 9/2017 Granger D2/961

* cited by examiner

Primary Examiner — Elizabeth J Oswecki
(74) *Attorney, Agent, or Firm* — Michael J. Feigin, Esq.;
Feigin and Fridman

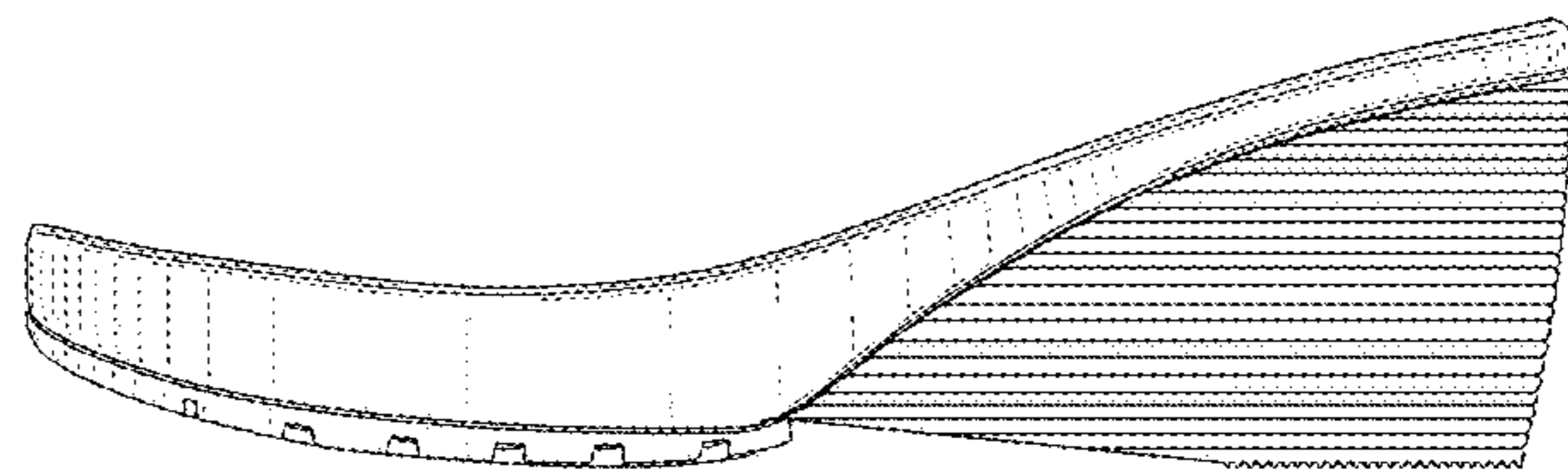
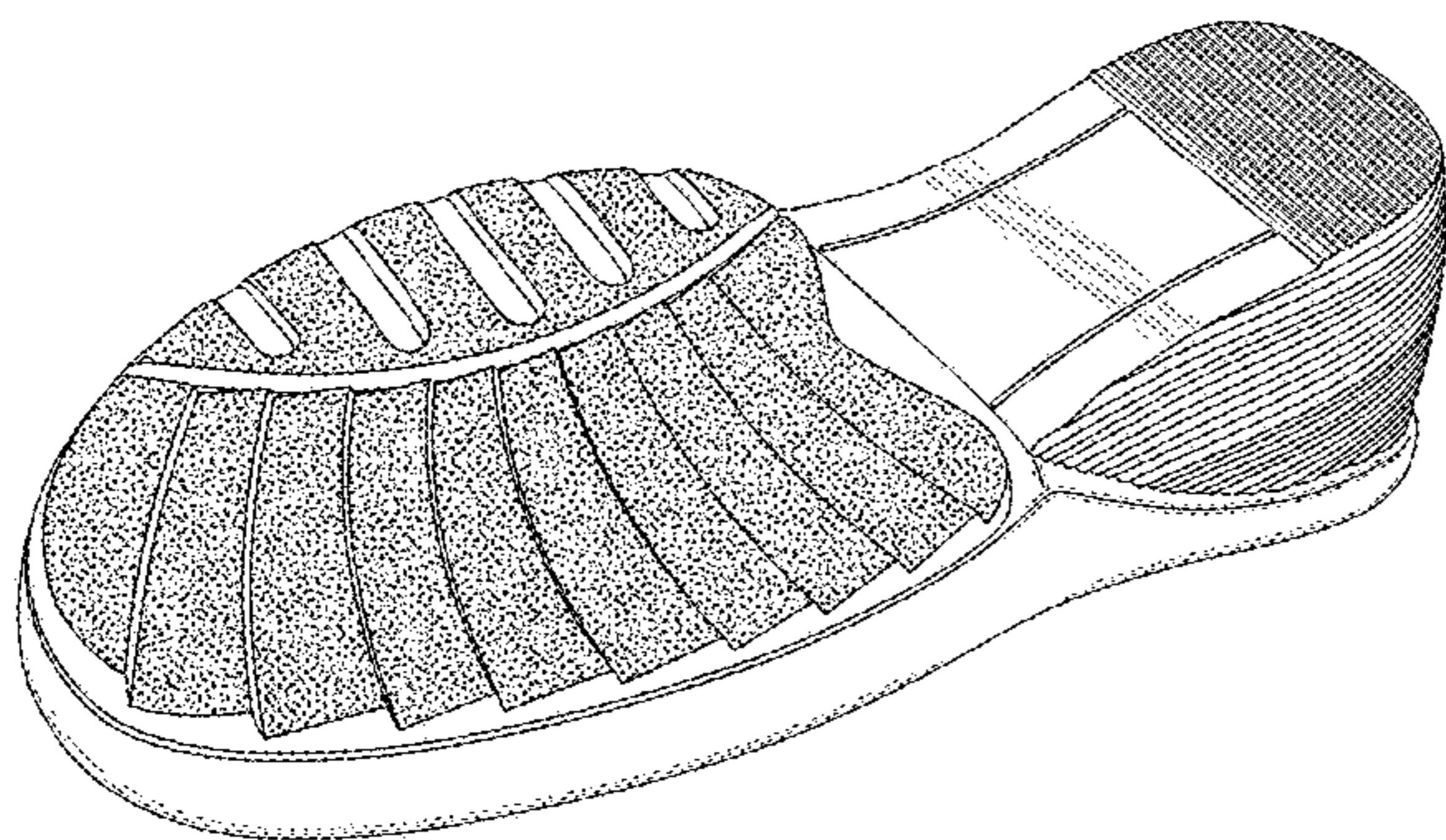
(57) **CLAIM**

The ornamental design for an shoe insert, as shown and described.

DESCRIPTION

FIG. 1 is a bottom, side perspective view of a shoe insert, showing our new design;
FIG. 2 is a side elevation view of FIG. 1;
FIG. 3 is an opposite side elevation view of FIG. 2;
FIG. 4 is a bottom plan view of FIG. 1;
FIG. 5 is a top plan view of FIG. 1;
FIG. 6 is a front elevation view of FIG. 1; and,
FIG. 7 is a rear elevation view of FIG. 1.
The broken lines shown in the drawings represent portions of the shoe insert that form no part of the claimed design.

1 Claim, 6 Drawing Sheets



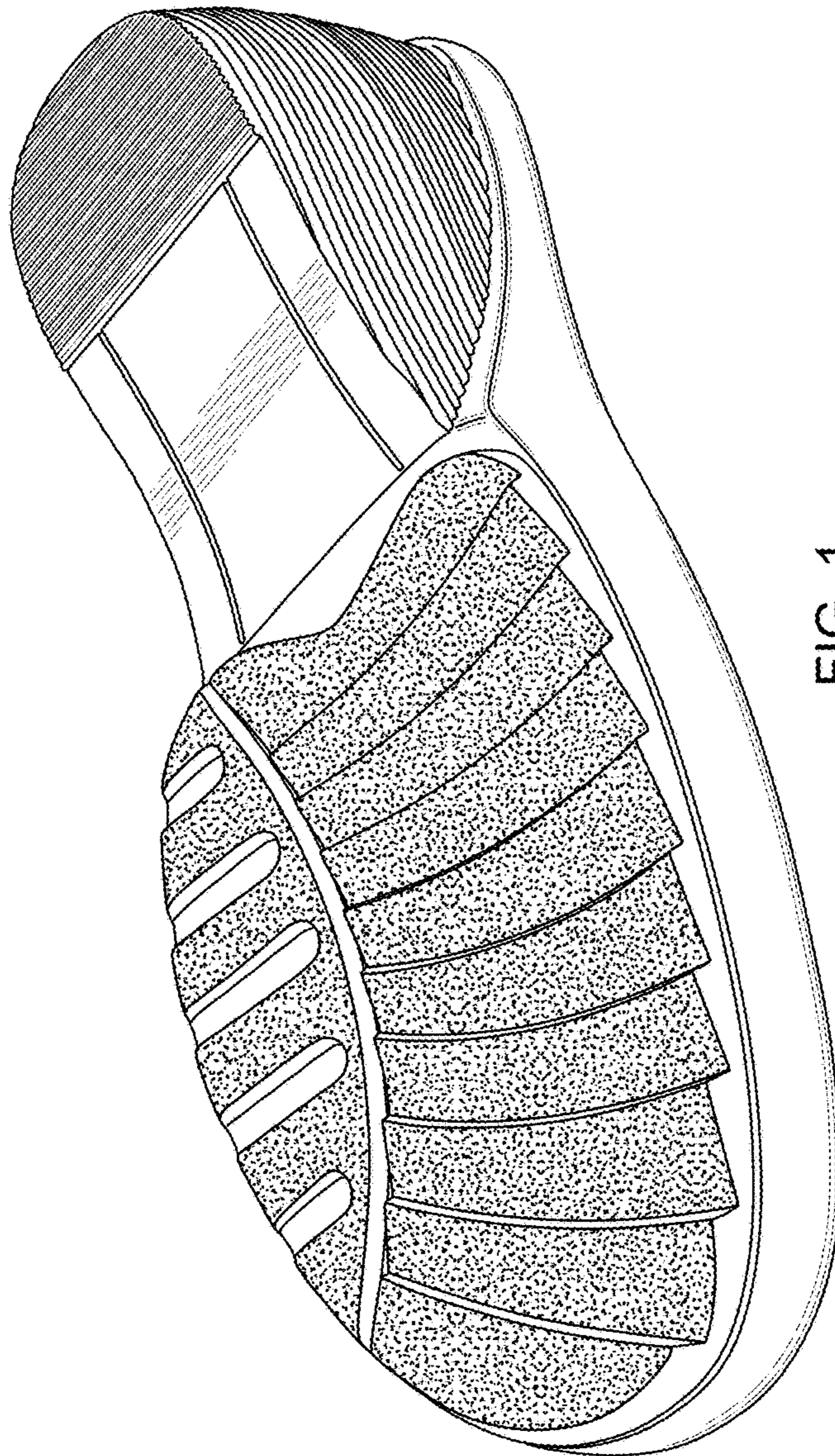


FIG. 1

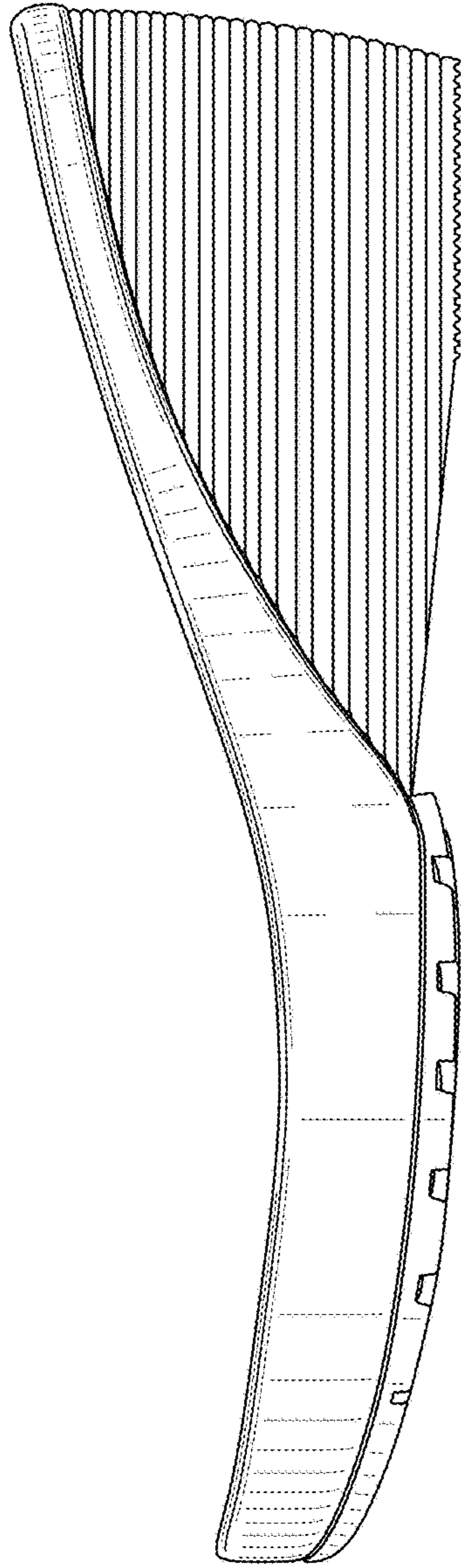


FIG. 2

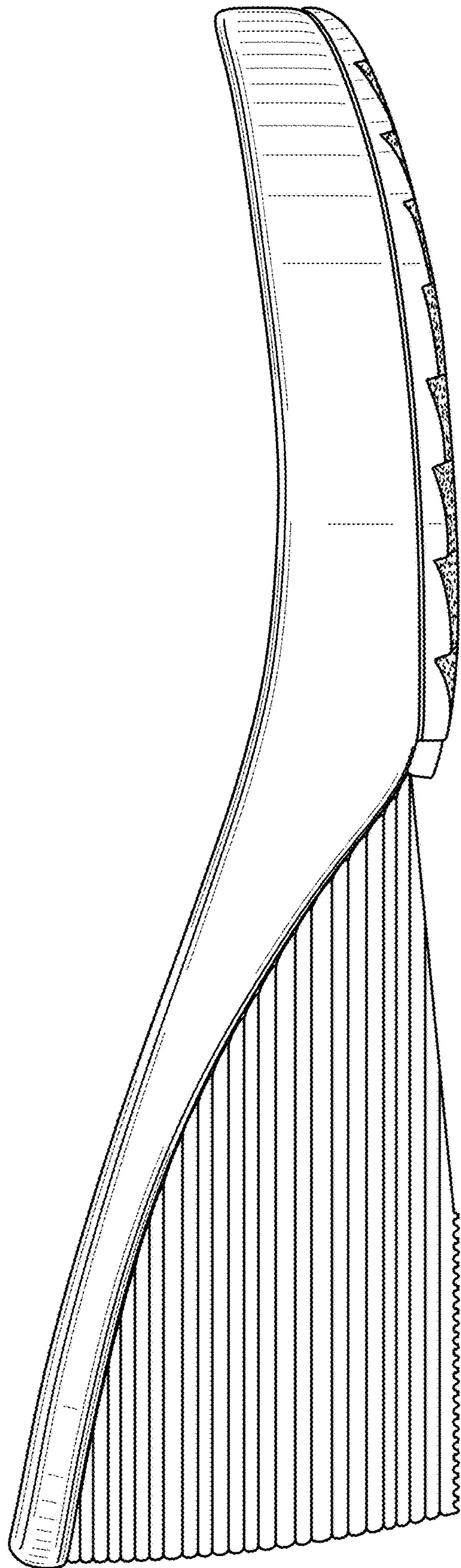


FIG. 3

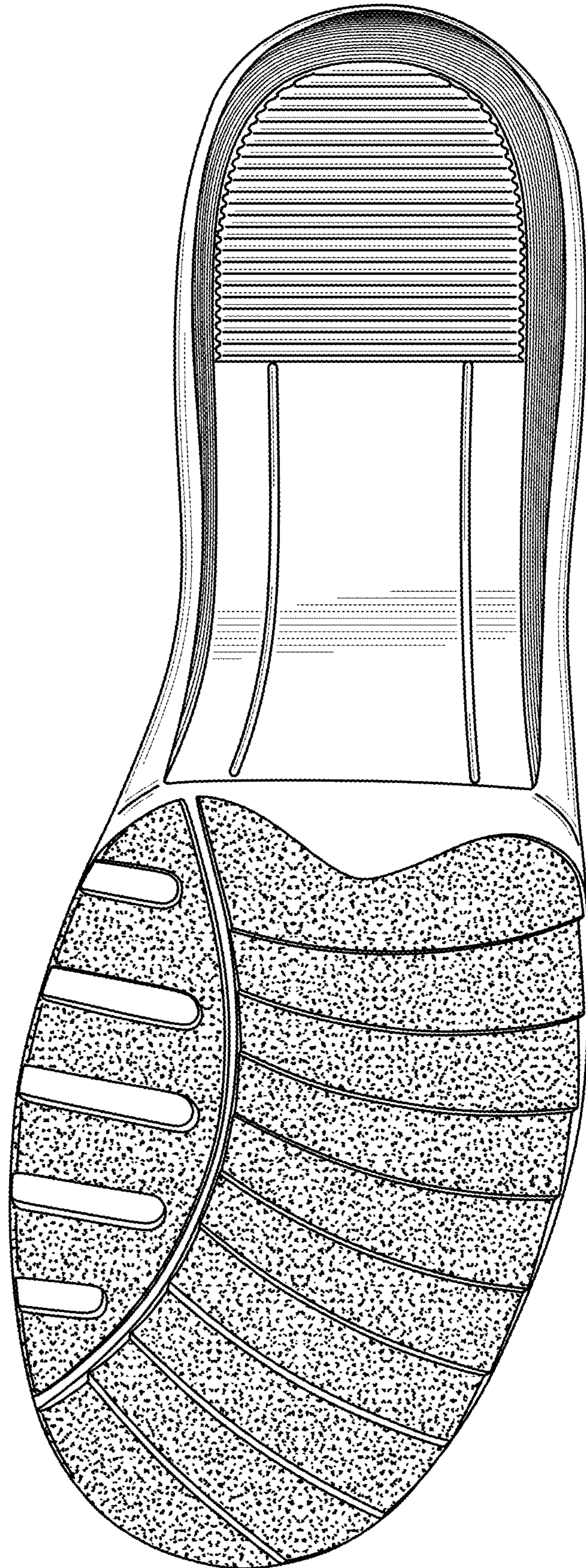


FIG. 4

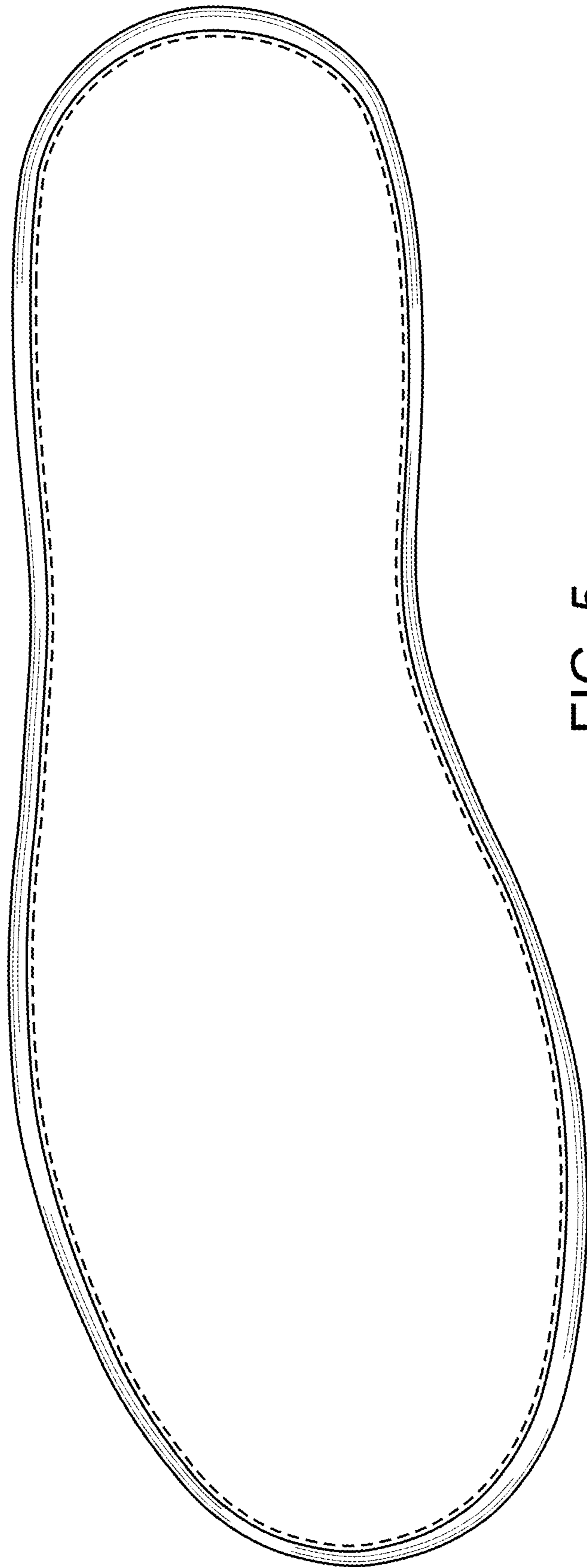


FIG. 5

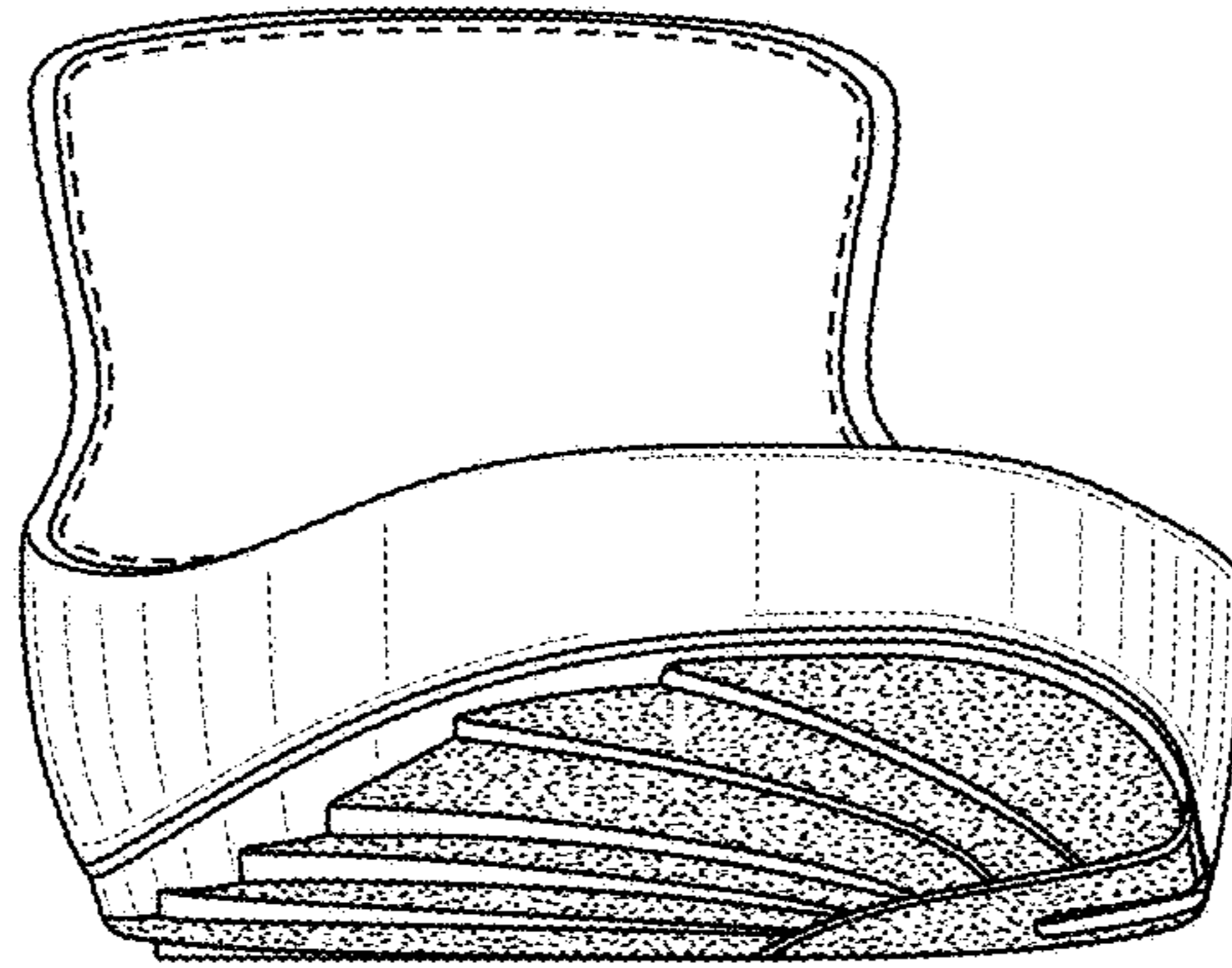


FIG. 6

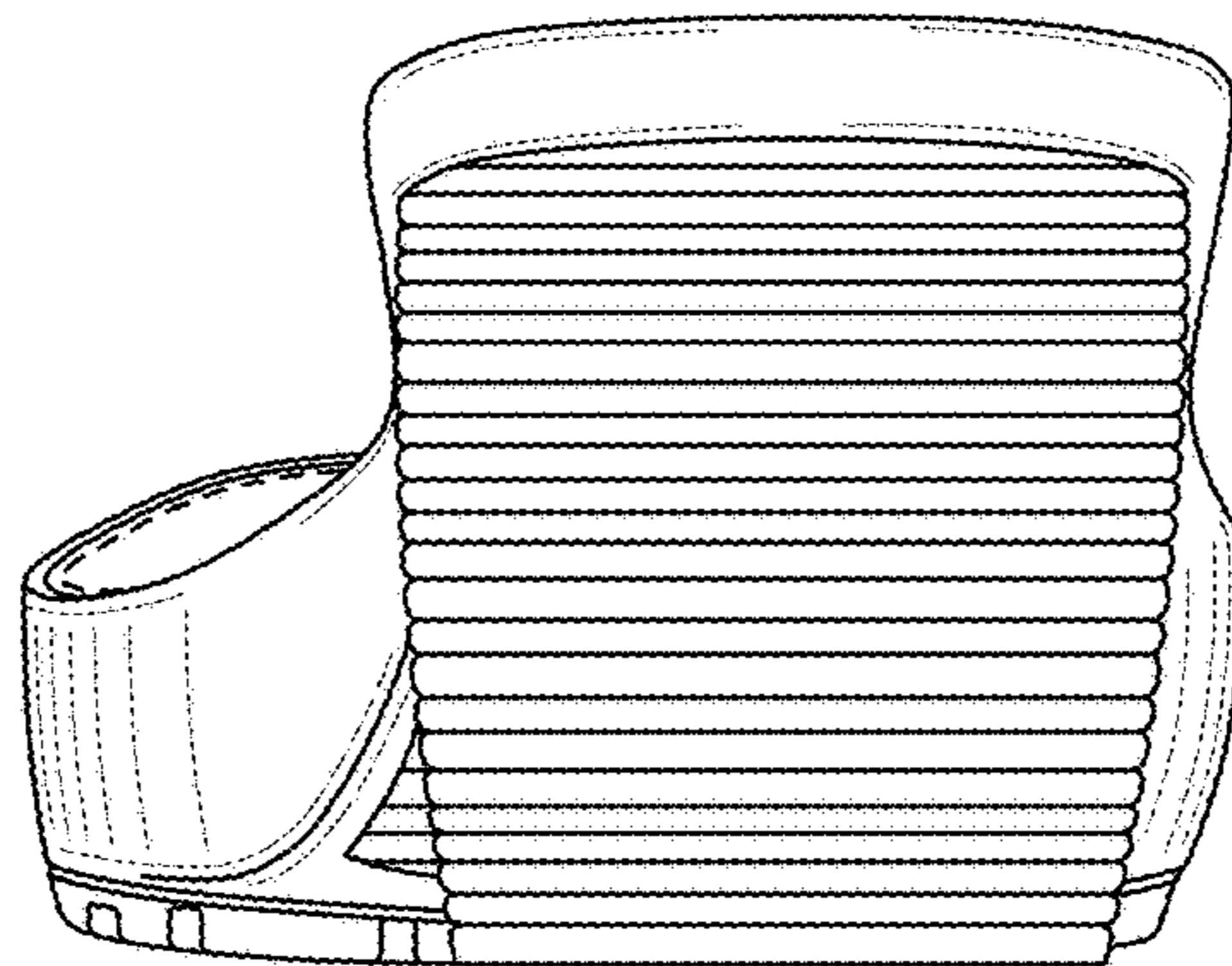


FIG. 7