



US00D805738S

(12) **United States Design Patent**
Williams

(10) **Patent No.:** **US D805,738 S**

(45) **Date of Patent:** **** Dec. 26, 2017**

(54) **PICKING APRON**

(71) Applicant: **Mark Kent Williams**, Colbert, WA
(US)

(72) Inventor: **Mark Kent Williams**, Colbert, WA
(US)

(73) Assignee: **Mark Kent Williams**, Colbert, WA
(US)

(**) Term: **15 Years**

(21) Appl. No.: **29/562,172**

(22) Filed: **Apr. 22, 2016**

(51) **LOC (10) Cl.** **02-02**

(52) **U.S. Cl.**
USPC **D2/864**

(58) **Field of Classification Search**
USPC D2/860-864; D3/215; 2/48, 49.1-49.2,
2/51; 383/4; 224/185, 608, 611, 621,
224/623, 625
CPC A01D 46/22; A41D 13/04; A45D 42/16;
A45F 3/44
See application file for complete search history.

(56) **References Cited**

U.S. PATENT DOCUMENTS

- 1,538,982 A * 5/1925 Glover A41D 13/04
2/51
- 1,865,353 A * 6/1932 Brewster A01D 46/22
224/608

- D257,596 S * 12/1980 Rosenbloom, III D2/864
- D281,638 S * 12/1985 Thomas D2/864
- D456,593 S * 5/2002 Leonard D2/860
- D470,295 S * 2/2003 Chackel D2/860
- D603,143 S * 11/2009 Walsh D2/861

* cited by examiner

Primary Examiner — Catherine R Oliver-Garcia
(74) *Attorney, Agent, or Firm* — Randall Danskin P.S.

(57) **CLAIM**

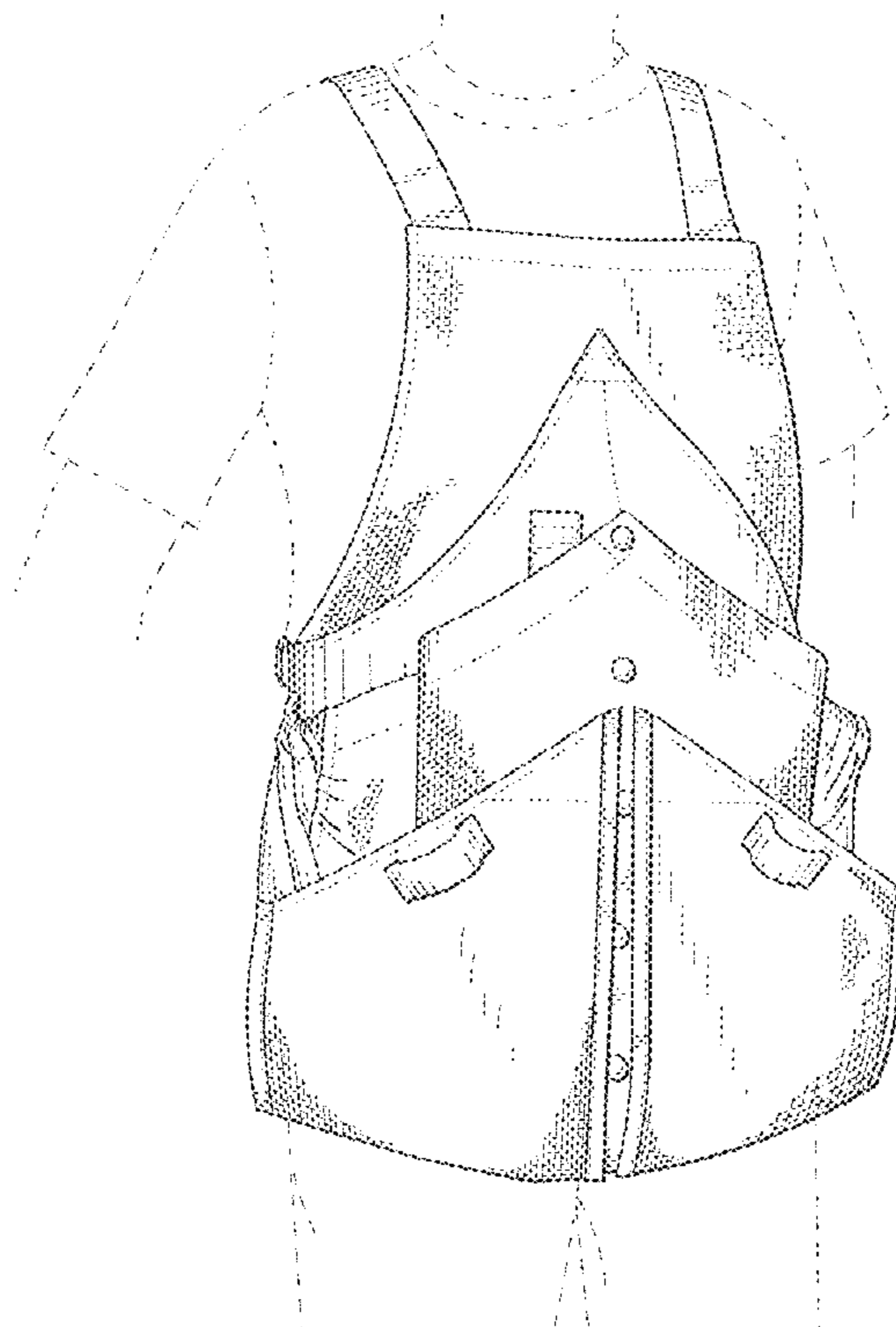
I claim the ornamental design for picking apron, as shown and described.

DESCRIPTION

FIG. 1 is a front and right side isometric view of a picking apron showing my new design in use;
FIG. 2 is a front orthographic view thereof, with the front flaps in a secured position;
FIG. 3 is a left side orthographic view thereof;
FIG. 4 is a rear orthographic view thereof;
FIG. 5 is a right side orthographic view thereof;
FIG. 6 is a top plan view thereof;
FIG. 7 is a bottom plan view thereof; and,
FIG. 8 is a front orthographic view, with the front flap released.

The broken lines depict environment and are included for the purpose of illustrating only and form no part of the claimed design.

1 Claim, 8 Drawing Sheets



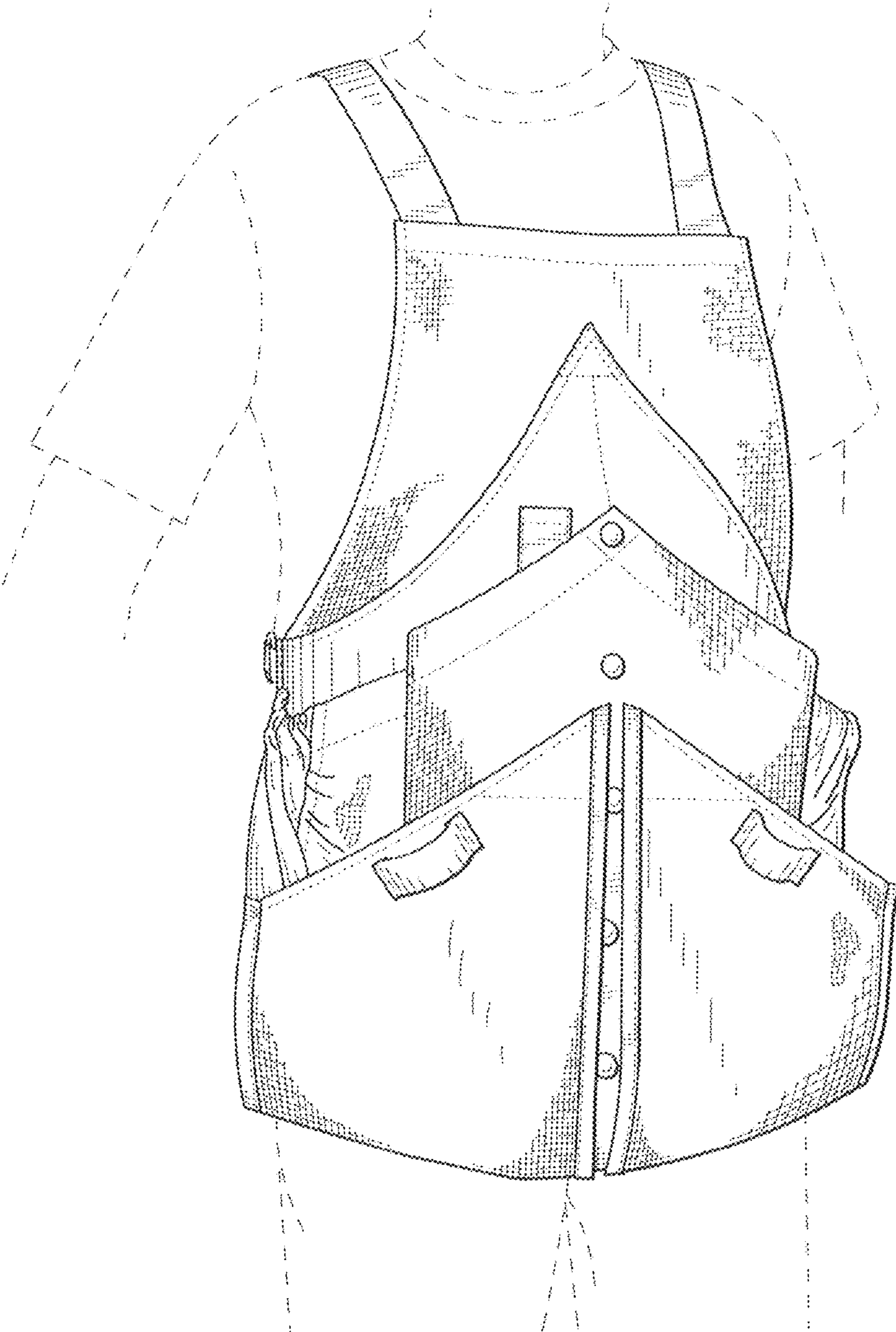


FIG. 1

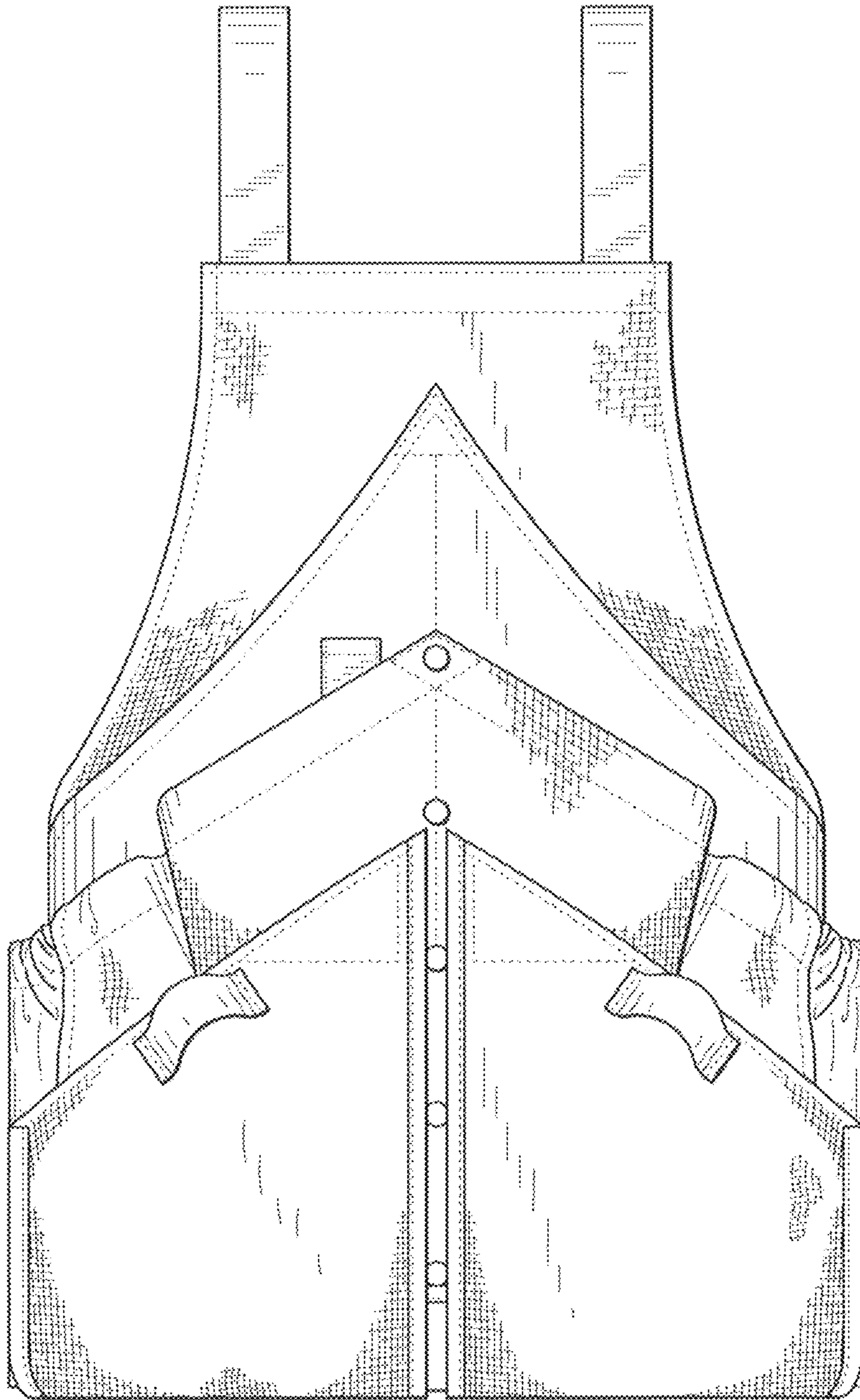


FIG. 2

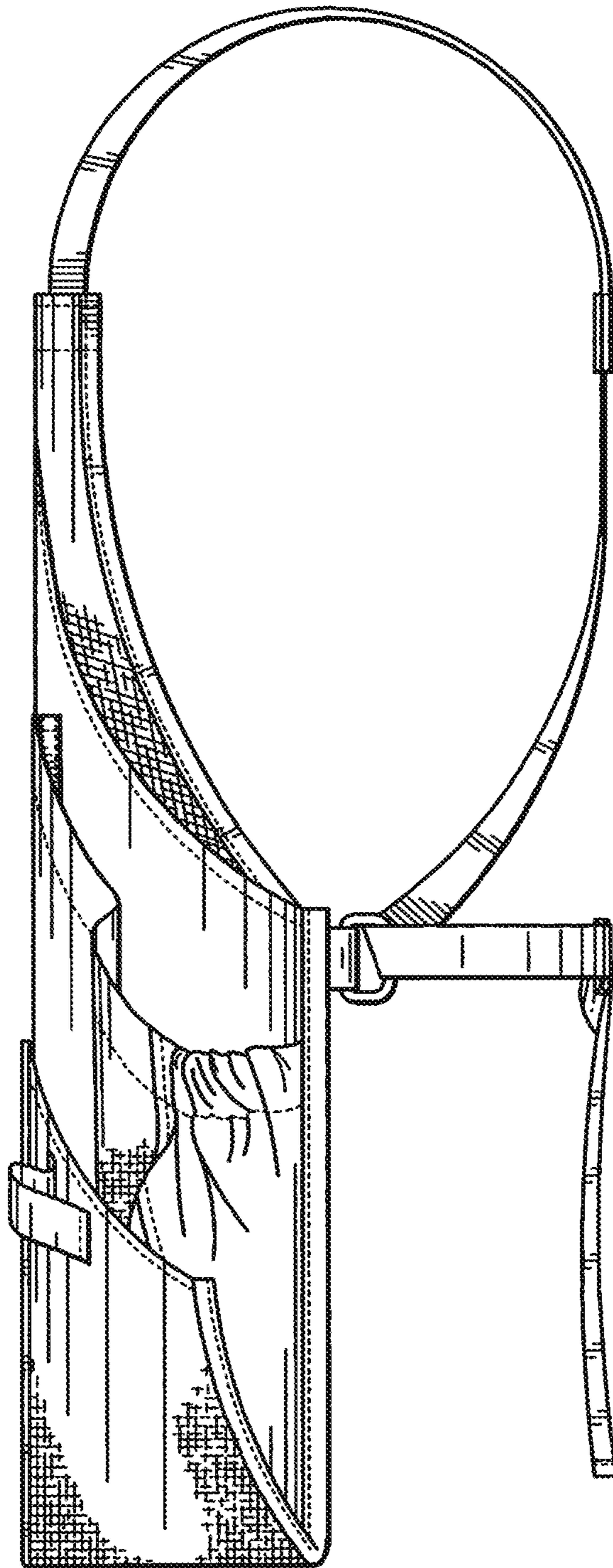


FIG. 3

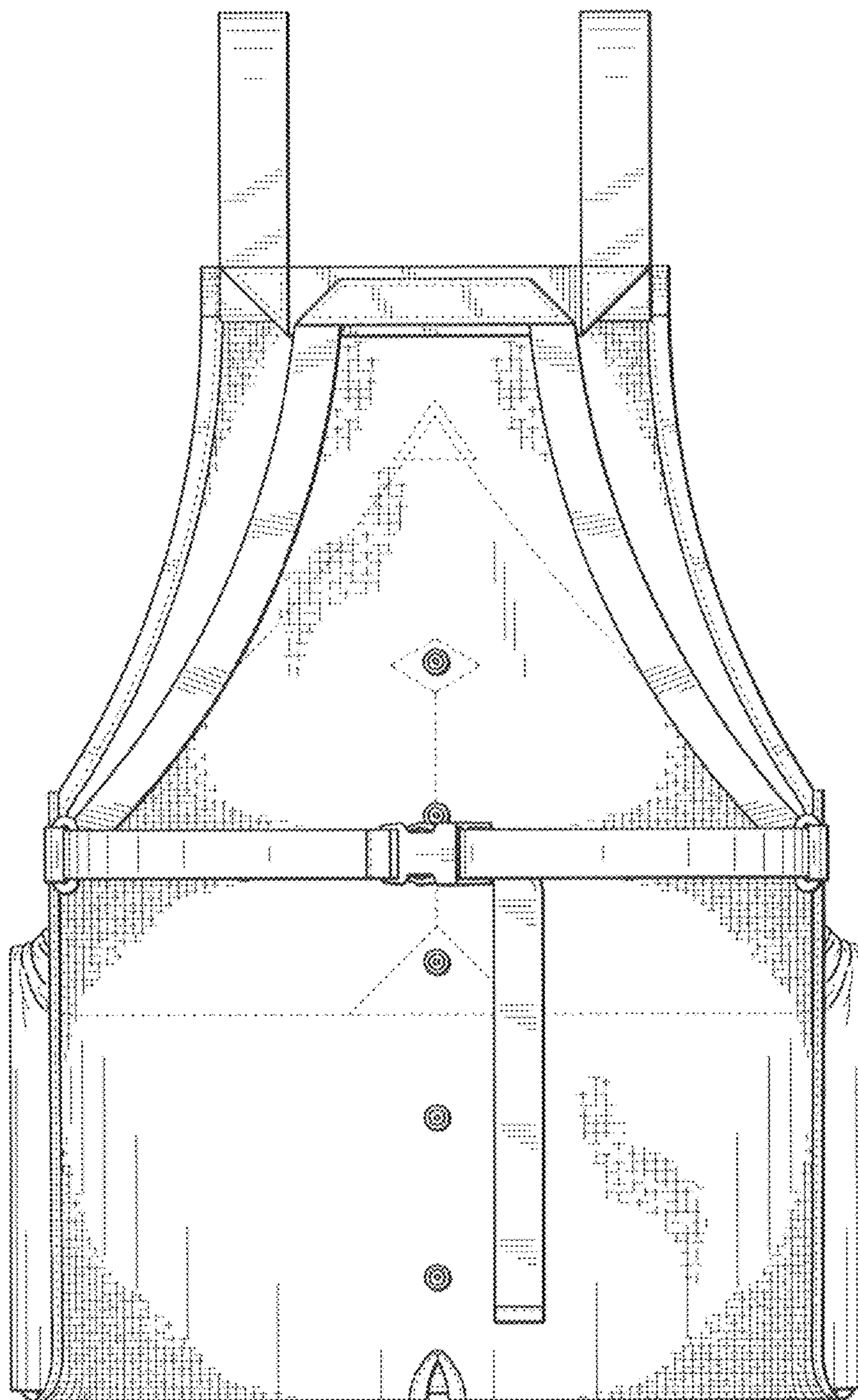


FIG. 4

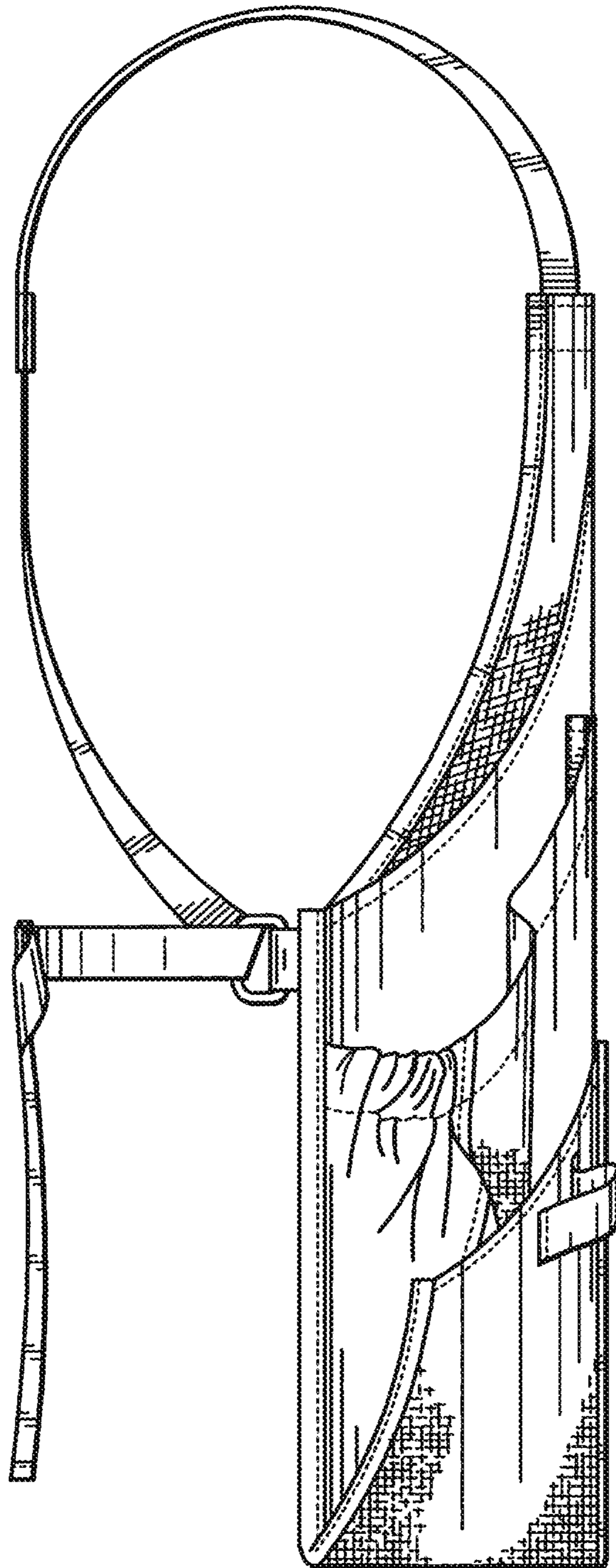


FIG. 5

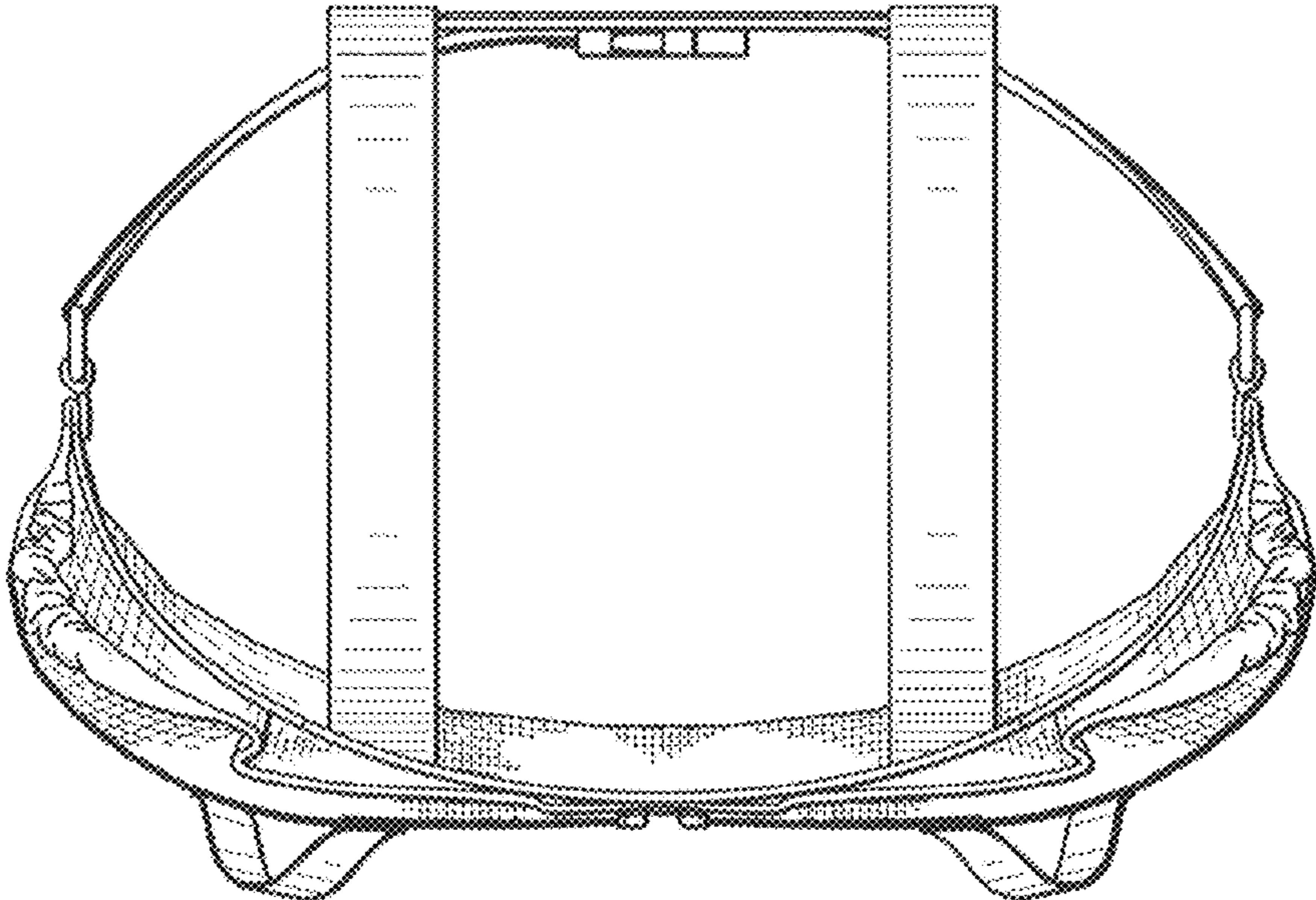


FIG. 6

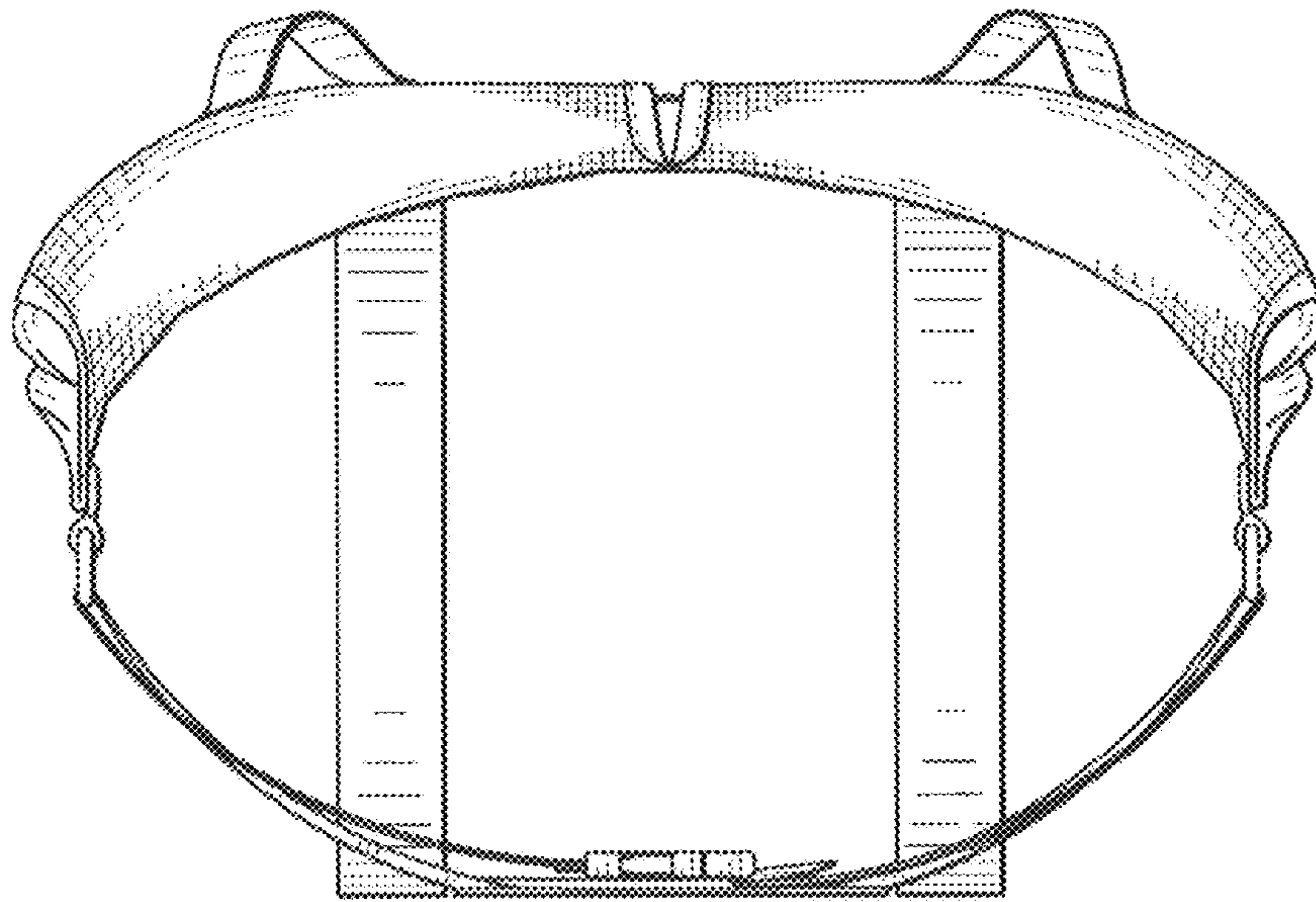


FIG. 7

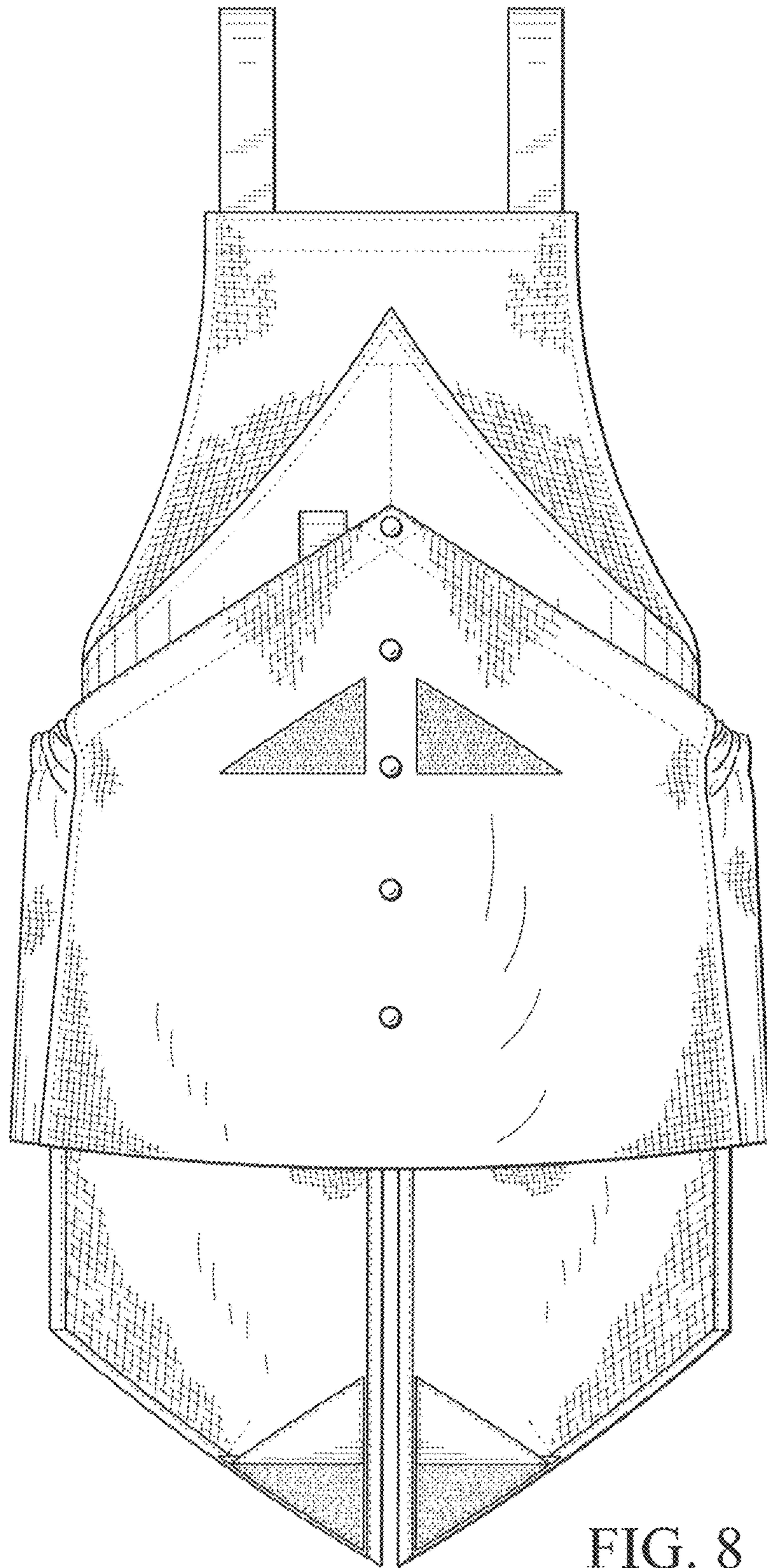


FIG. 8