



US00D805736S

(12) **United States Design Patent** (10) **Patent No.:** **US D805,736 S**  
**Dubose** (45) **Date of Patent:** **\*\* \*Dec. 26, 2017**

- (54) **TROUSER CUFF ACCESSORY**
- (71) Applicant: **Francwau Dubose**, Columbus, OH (US)
- (72) Inventor: **Francwau Dubose**, Columbus, OH (US)
- (\*) Notice: This patent is subject to a terminal disclaimer.
- (\*\*) Term: **15 Years**
- (21) Appl. No.: **29/551,935**
- (22) Filed: **Jan. 19, 2016**

**Related U.S. Application Data**

- (63) Continuation of application No. 29/533,957, filed on Jul. 23, 2015, now abandoned.
- (51) **LOC (10) Cl.** ..... **02-02**
- (52) **U.S. Cl.**  
USPC ..... **D2/858**
- (58) **Field of Classification Search**  
USPC ..... D12/37, 49, 50, 208, 212; D15/5, 143; D30/152; D11/3, 4, 12, 13, 17, 22, 40, D11/152  
CPC .. B60B 9/26; B60B 9/06; B60B 19/00; B60C 7/18; B60C 7/22; B60C 7/10; B60C 7/12; B60C 1/00; B60C 17/04; B60C 17/06; B60C 17/043; B60C 11/02; B60C 11/00; B60C 27/10; B60C 9/18; B60C 7/105; Y10T 152/10297; Y10T 152/10; Y10T 152/10495; Y10T 152/10036; Y10T 152/10054; Y10T 152/10765; Y10T 152/1018

See application file for complete search history.

- (56) **References Cited**  
U.S. PATENT DOCUMENTS  
491,845 A \* 2/1893 Matheson ..... A41D 1/06 2/232  
503,841 A \* 8/1893 Filter ..... A41F 17/02 2/232  
771,021 A \* 9/1904 Lux ..... A41D 1/06 2/232  
845,488 A \* 2/1907 Therre ..... A41D 1/06 2/232  
924,249 A \* 6/1909 Leppingwell ..... A41D 1/06 2/232  
1,448,455 A \* 3/1923 Leander ..... A41D 1/06 2/232

(Continued)

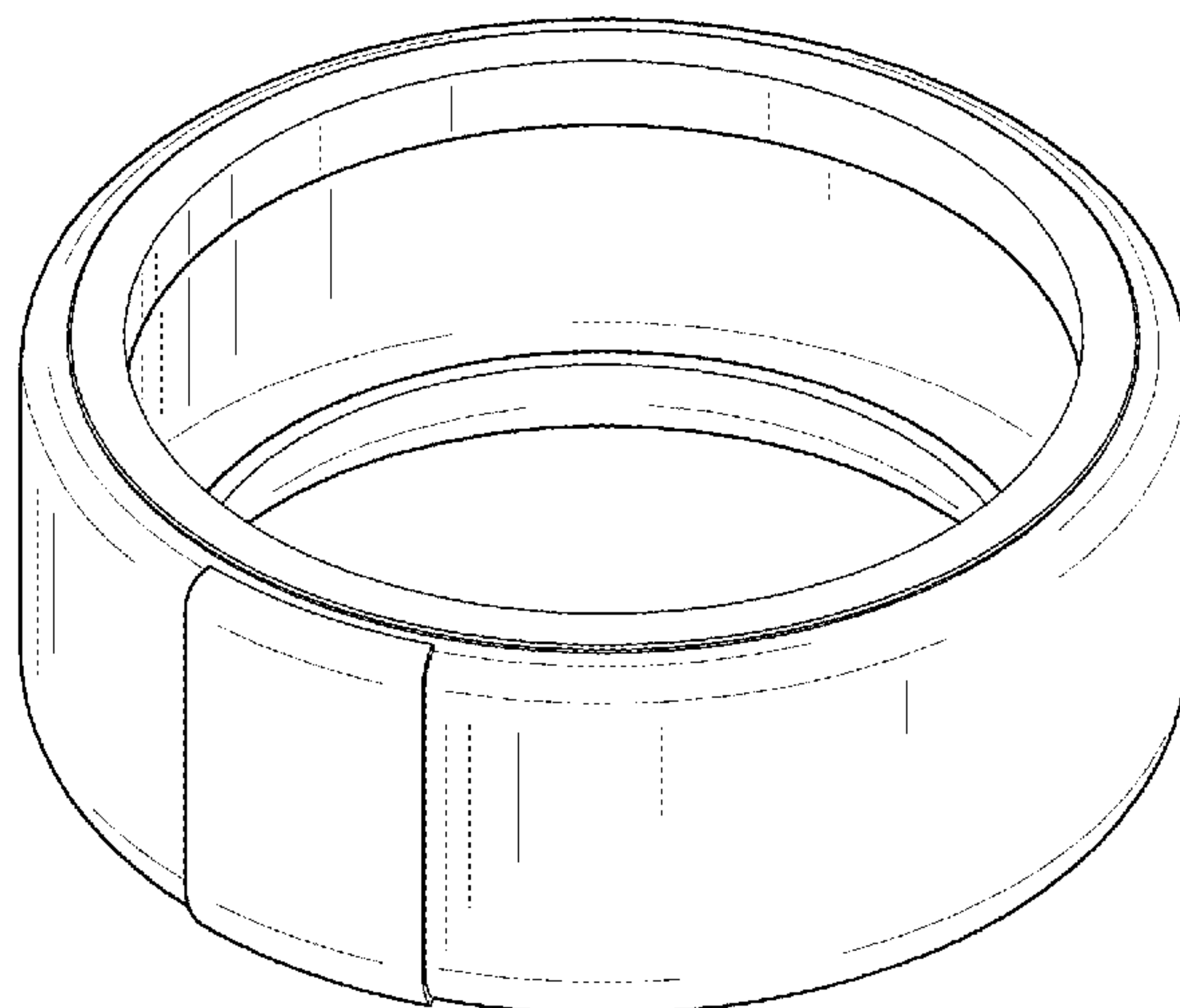
*Primary Examiner* — John Windmuller  
*Assistant Examiner* — Benjamin Weeks  
(74) *Attorney, Agent, or Firm* — Miracle IP; Bryce D. Miracle

(57) **CLAIM**  
The ornamental design for a trouser cuff accessory, substantially as shown and described.

**DESCRIPTION**

FIG. 1 is a front perspective view of the trouser cuff accessory showing the new design; FIG. 2 is a front elevation view thereof; FIG. 3 is a rear elevation view thereof; FIG. 4 is a top plan view thereof; FIG. 5 is a bottom plan view thereof; FIG. 6 is an exploded front view thereof showing removable inner ring; FIG. 7 is an illustrative view showing the application of the trouser cuff accessory; FIG. 8 is a cross sectional view of the trouser cuff accessory; FIG. 9 is a rear, bottom perspective view thereof; and, FIG. 10 is an exploded rear, bottom view thereof. The broken lines shown in the drawings represent environmental matter and form no part of the claimed design.

**1 Claim, 5 Drawing Sheets**



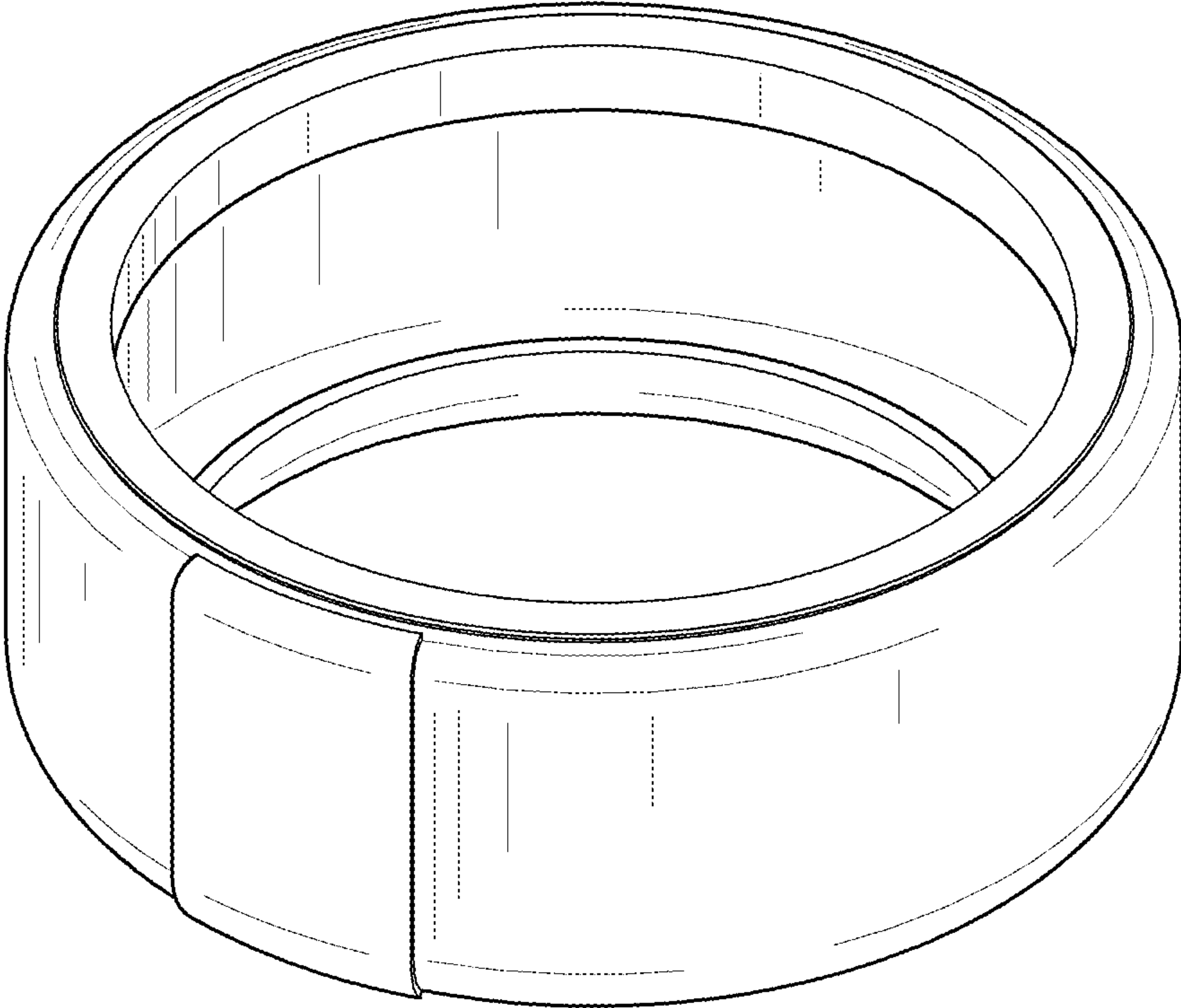
(56)

References Cited

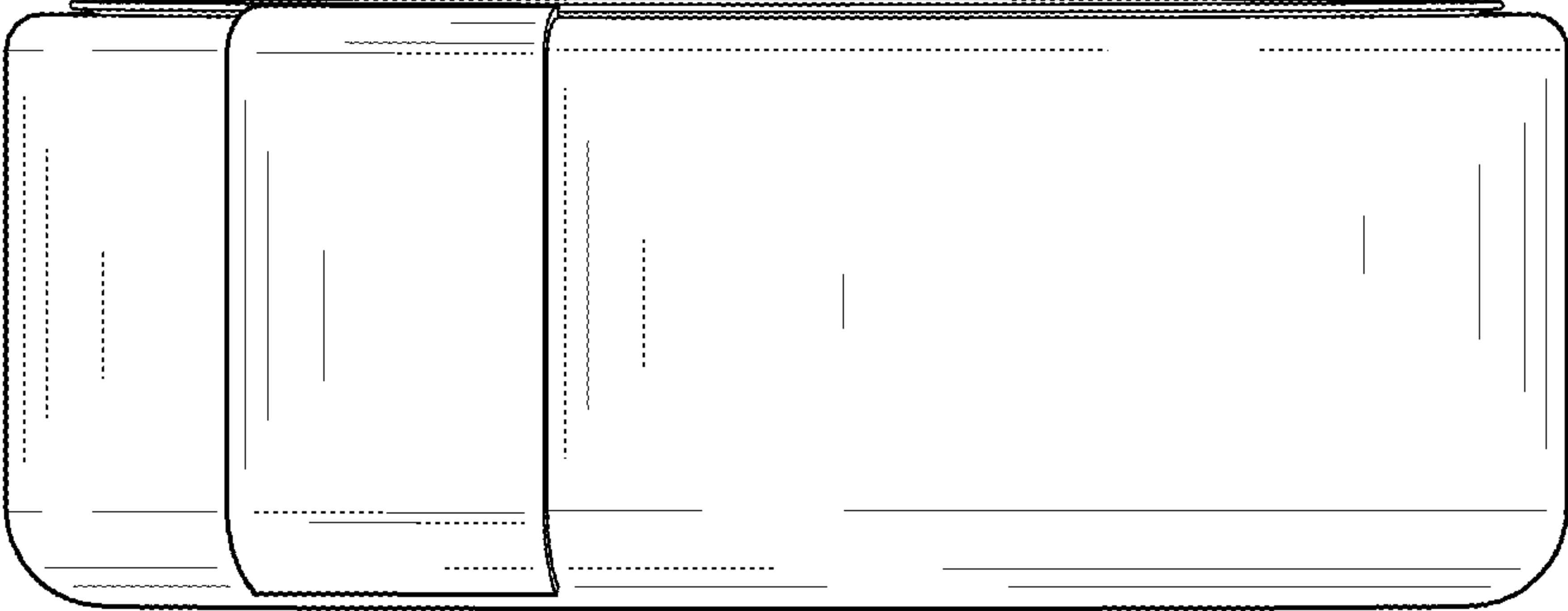
U.S. PATENT DOCUMENTS

2,248,708 A *	7/1941	Jacobi	.....	B60B 25/18	152/411				
2,360,953 A *	10/1944	Lippmann	.....	A41D 1/06	2/232				
2,480,276 A *	8/1949	Wilkenfeld	.....	A41D 1/06	2/232				
2,535,224 A *	12/1950	Nachem	.....	A41D 27/24	2/232				
2,720,656 A *	10/1955	Allan, Jr.	.....	A41D 1/06	2/232				
2,740,128 A *	4/1956	Simon	.....	A41D 15/002	2/232				
2,848,825 A *	8/1958	Dollar	.....	A41D 1/06	2/232				
2,962,724 A *	12/1960	Wilkins	.....	A41D 1/06	2/232				
2,983,926 A *	5/1961	Turner	.....	A41F 5/00	2/232				
3,097,364 A *	7/1963	Hess	.....	A41D 1/06	2/232				
3,111,681 A *	11/1963	Nelson	.....	A41D 27/24	2/211				
3,137,863 A *	6/1964	Dimpfl	.....	A41D 1/06	2/232				
3,286,375 A *	11/1966	Troy	.....	A43B 3/02	2/232				
3,328,809 A *	7/1967	Payne	.....	A41D 1/06	2/232				
3,411,160 A *	11/1968	Le Roux	.....	A41D 1/06	2/232				
3,426,362 A *	2/1969	Colman	.....	A41F 17/04	2/232				
3,671,975 A *	6/1972	Vorsteher	.....	A41D 1/082	2/232				
4,028,741 A *	6/1977	Henry	.....	A41F 17/00	2/232				
4,064,641 A *	12/1977	Levine	.....	A43B 3/24	2/232				
4,350,196 A *	9/1982	Hampshire	.....	B29D 30/02	152/5				
4,475,253 A *	10/1984	Laveckis	.....	A41D 27/00	2/232				
5,090,057 A *	2/1992	Aldridge	.....	A41D 13/0005	2/227				
5,214,805 A *	6/1993	Cochran	.....	A41F 17/04	2/232				
6,175,965 B1 *	1/2001	Schoberg	.....	A41D 27/145	2/222				
D560,134 S *	1/2008	Chen	.....	D11/4					
8,398,017 B2 *	3/2013	Welch	.....	B64D 29/06	244/53 B				
D726,572 S *	4/2015	Walters	.....	D11/3					
D757,592 S *	5/2016	Martensson	.....	D11/4					
2002/0046791 A1 *	4/2002	Rensel	.....	B60C 23/04	152/151				
2013/0160190 A1 *	6/2013	DuBose	.....	A41D 27/145	2/232				

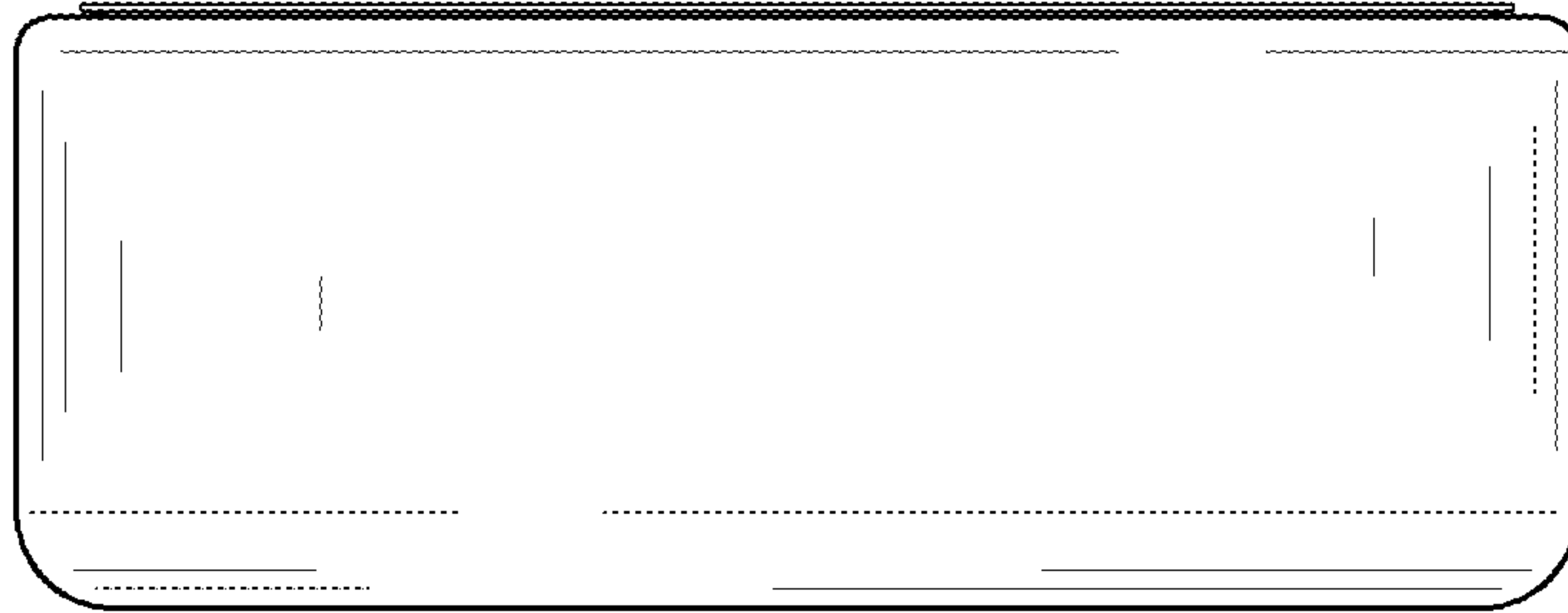
\* cited by examiner



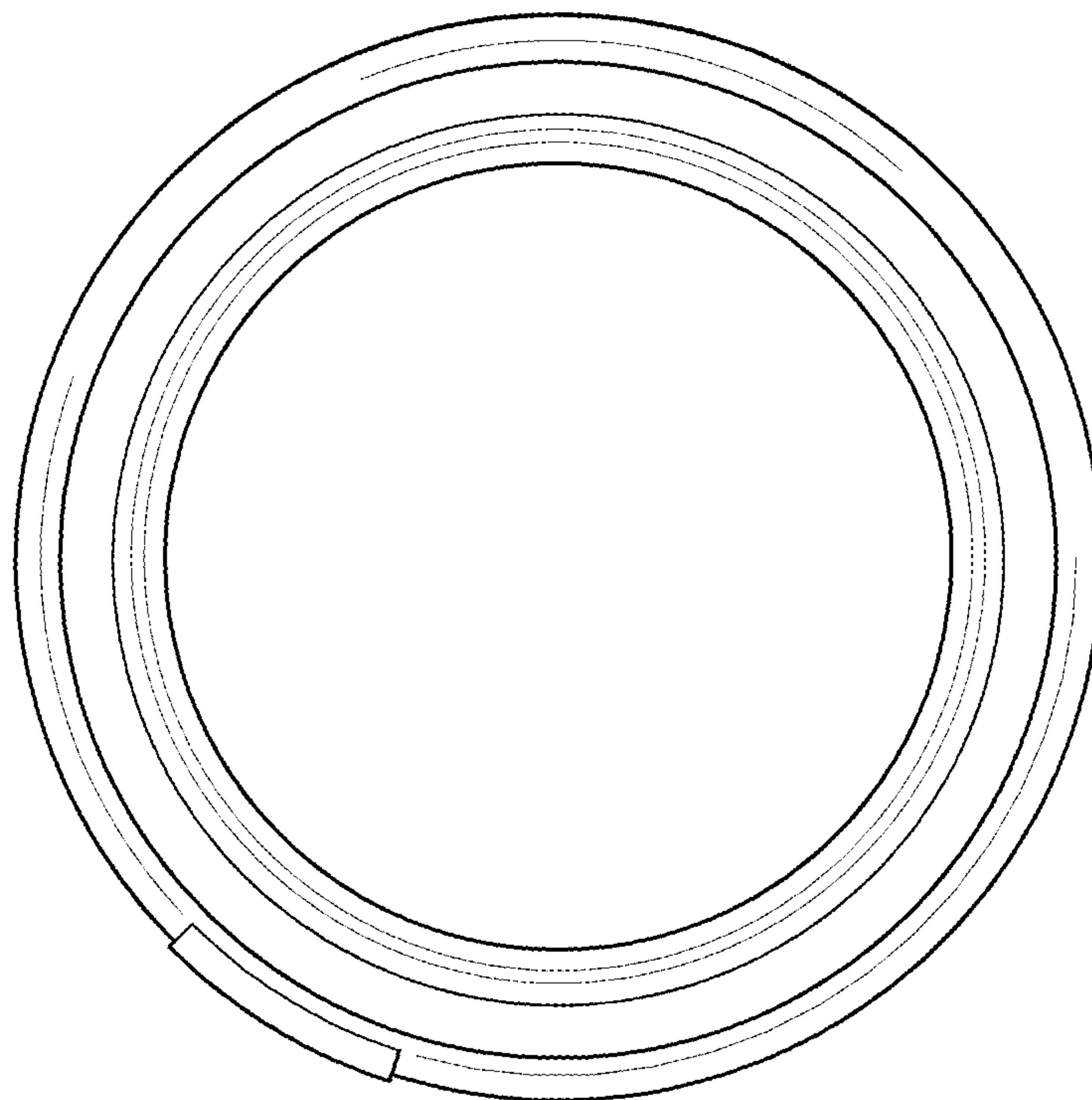
**FIG. 1**



**FIG. 2**



**FIG. 3**



**FIG. 4**



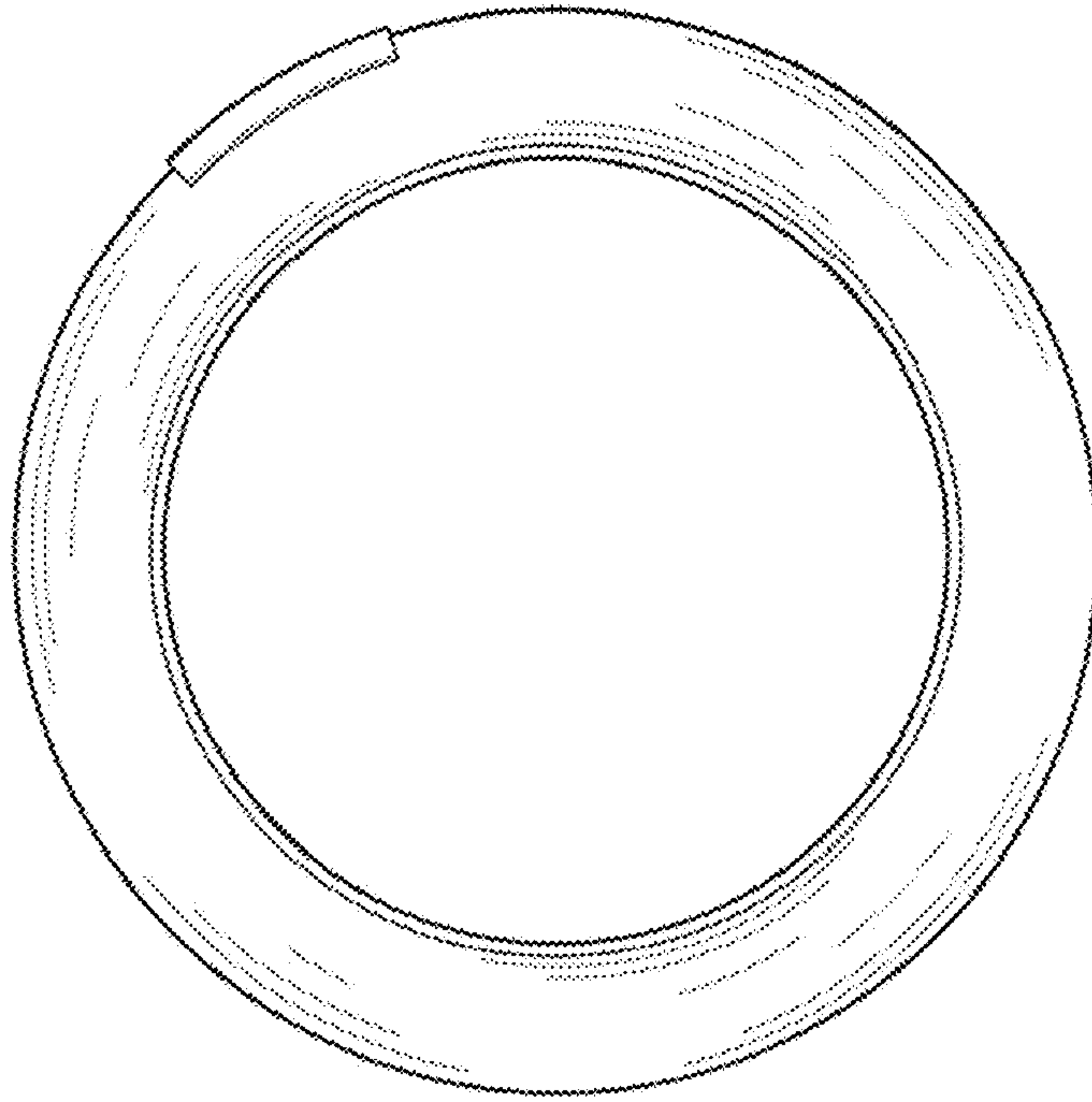


FIG. 5

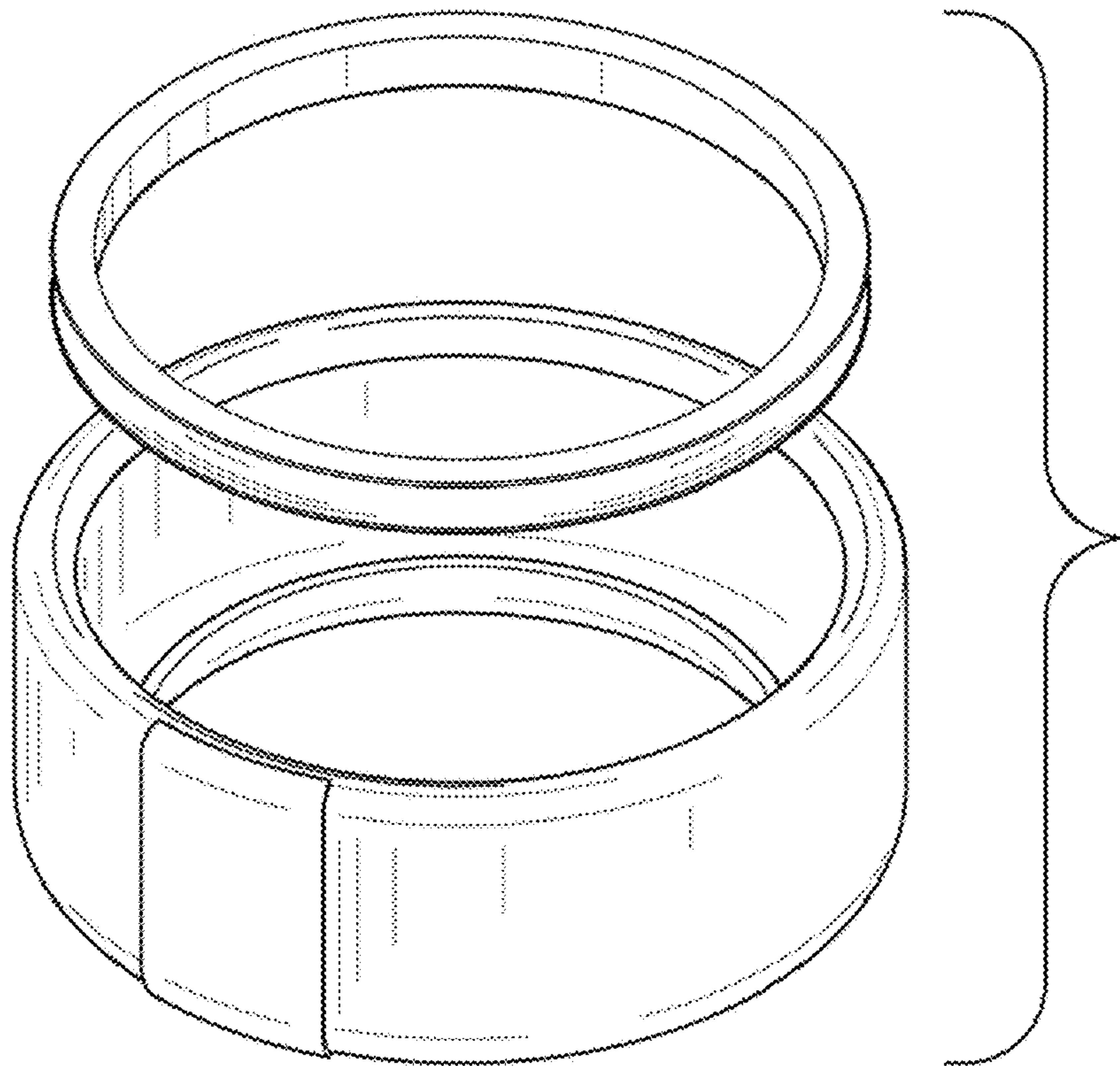
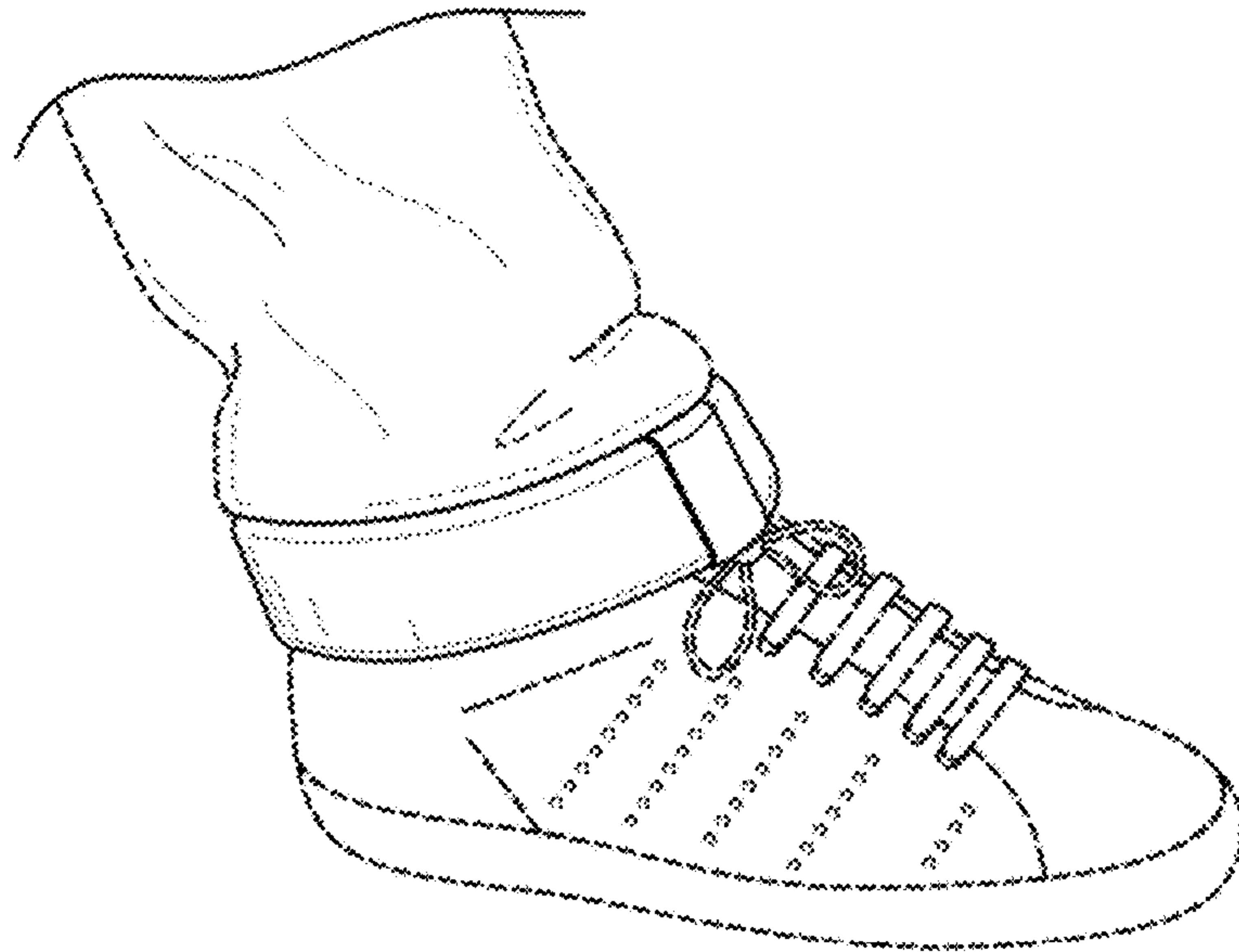
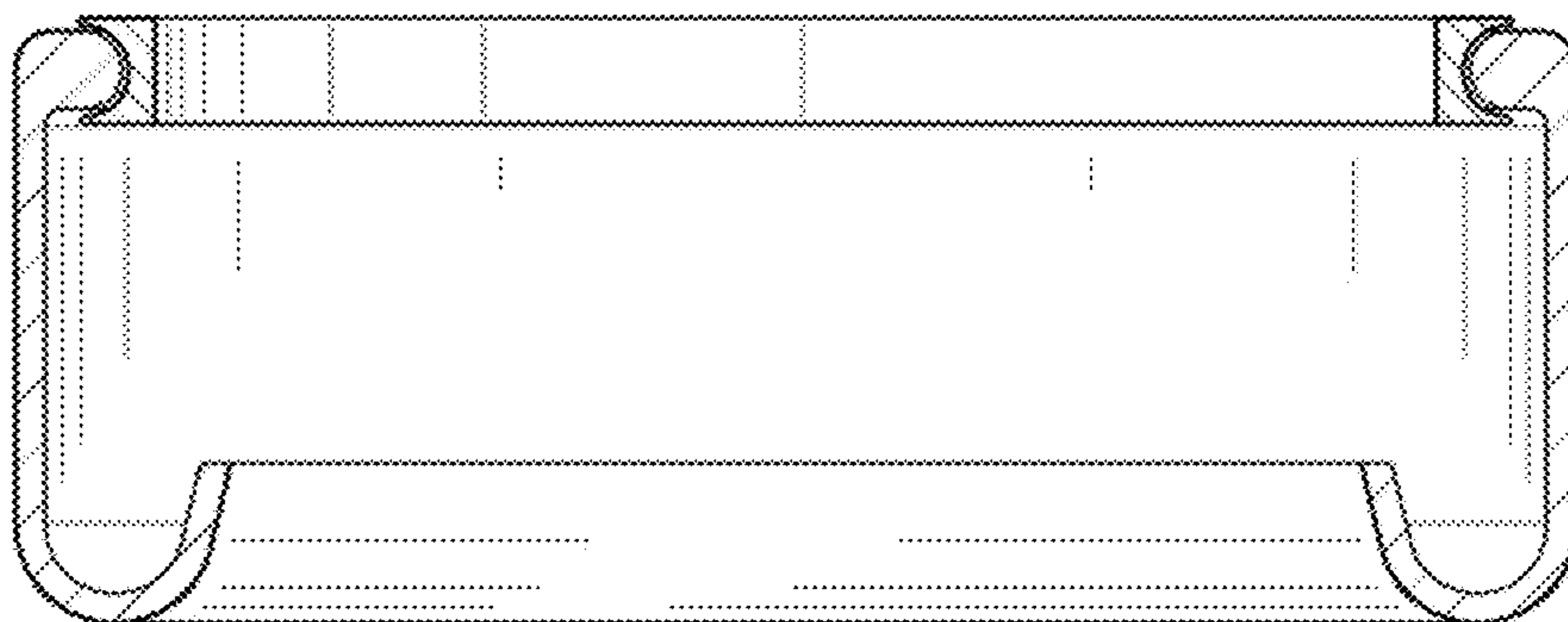


FIG. 6



**FIG. 7**



**FIG. 8**

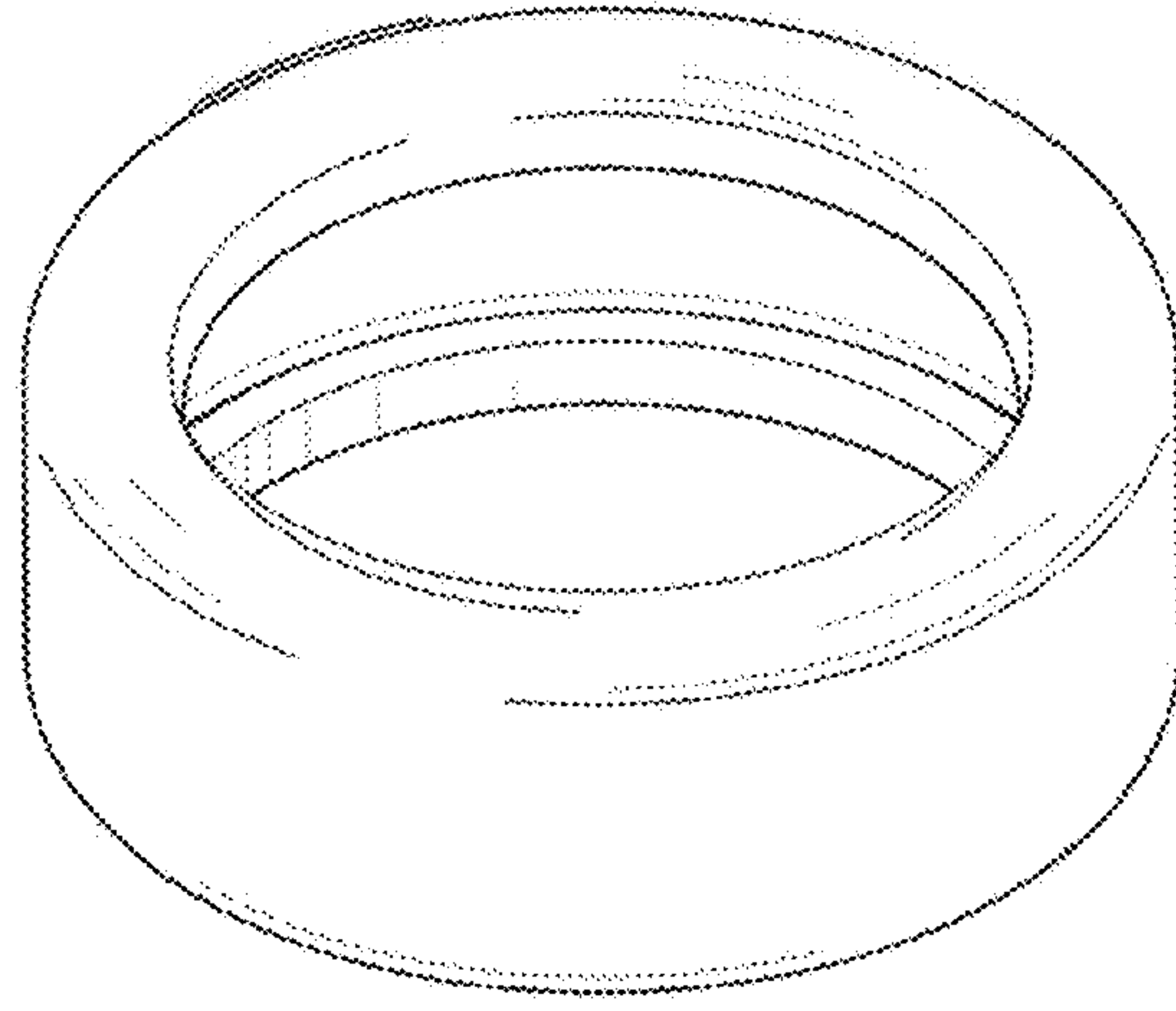


FIG. 9

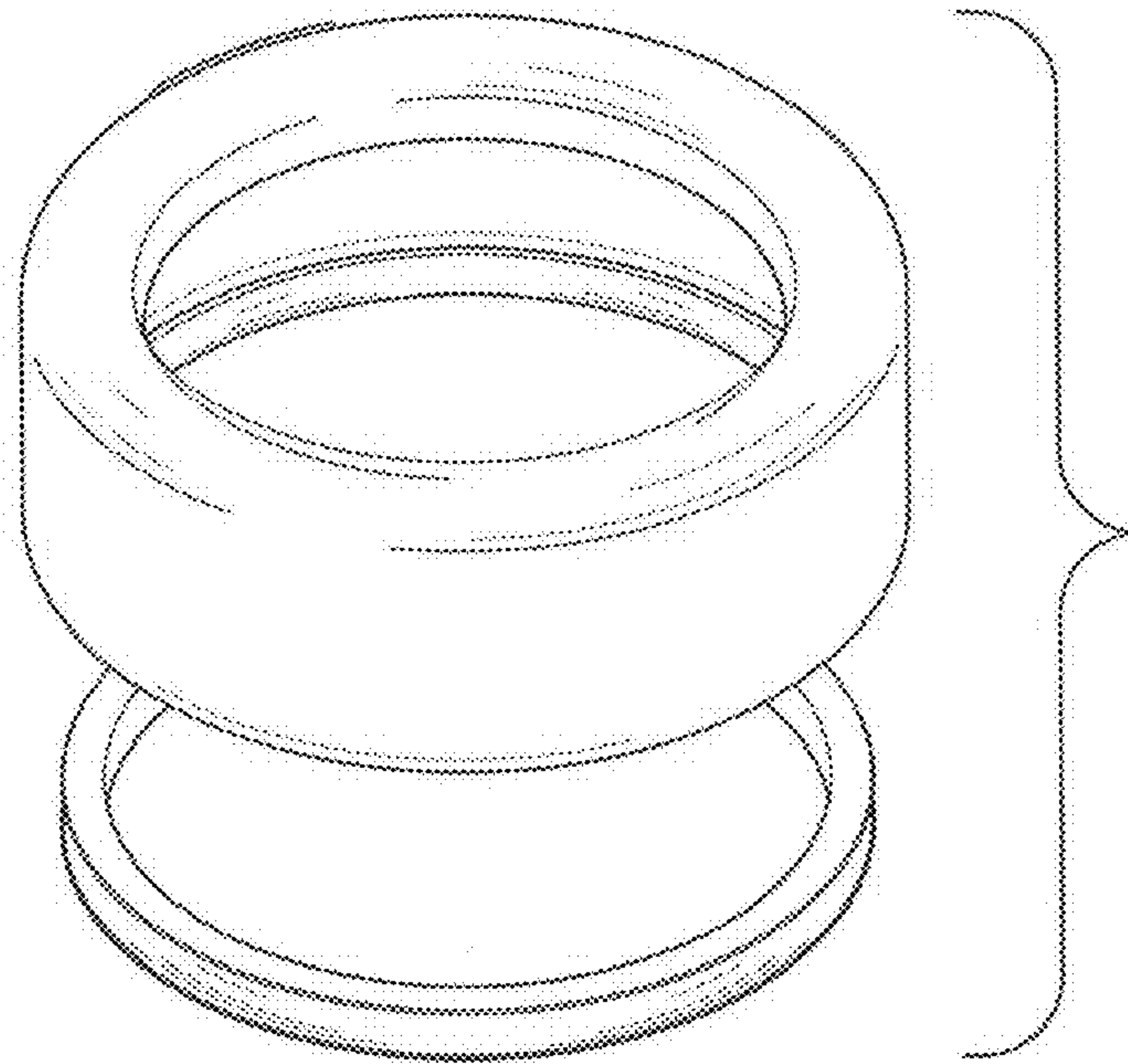


FIG. 10