



US00D805735S

(12) **United States Design Patent** (10) **Patent No.:** **US D805,735 S**
Duncan (45) **Date of Patent:** **** Dec. 26, 2017**

(54) **GARMENT POCKET**
(71) Applicant: **Colton James Duncan**, San Marco, CA (US)
(72) Inventor: **Colton James Duncan**, San Marco, CA (US)
(**) Term: **15 Years**
(21) Appl. No.: **29/562,949**
(22) Filed: **Apr. 29, 2016**
(51) **LOC (10) Cl.** **02-02**
(52) **U.S. Cl.**
USPC **D2/857**
(58) **Field of Classification Search**
USPC D2/840, 841, 849, 858, 857, 853, 839
CPC . A41B 1/00; A41D 1/00; A41D 13/00; A41D 13/12
See application file for complete search history.

D742,624 S * 11/2015 Meyers D2/857
D746,553 S * 1/2016 Emrich D2/857
D749,297 S * 2/2016 Kidman D2/750
2007/0157362 A1* 7/2007 Rogers A41D 13/1236
2/114
2009/0265835 A1* 10/2009 French A41D 27/20
2/227
2016/0183614 A1* 6/2016 Kuipers A41D 27/201
2/253

* cited by examiner

Primary Examiner — Kevin K Rudzinski
(74) *Attorney, Agent, or Firm* — Donn K. Harms

(57) **CLAIM**

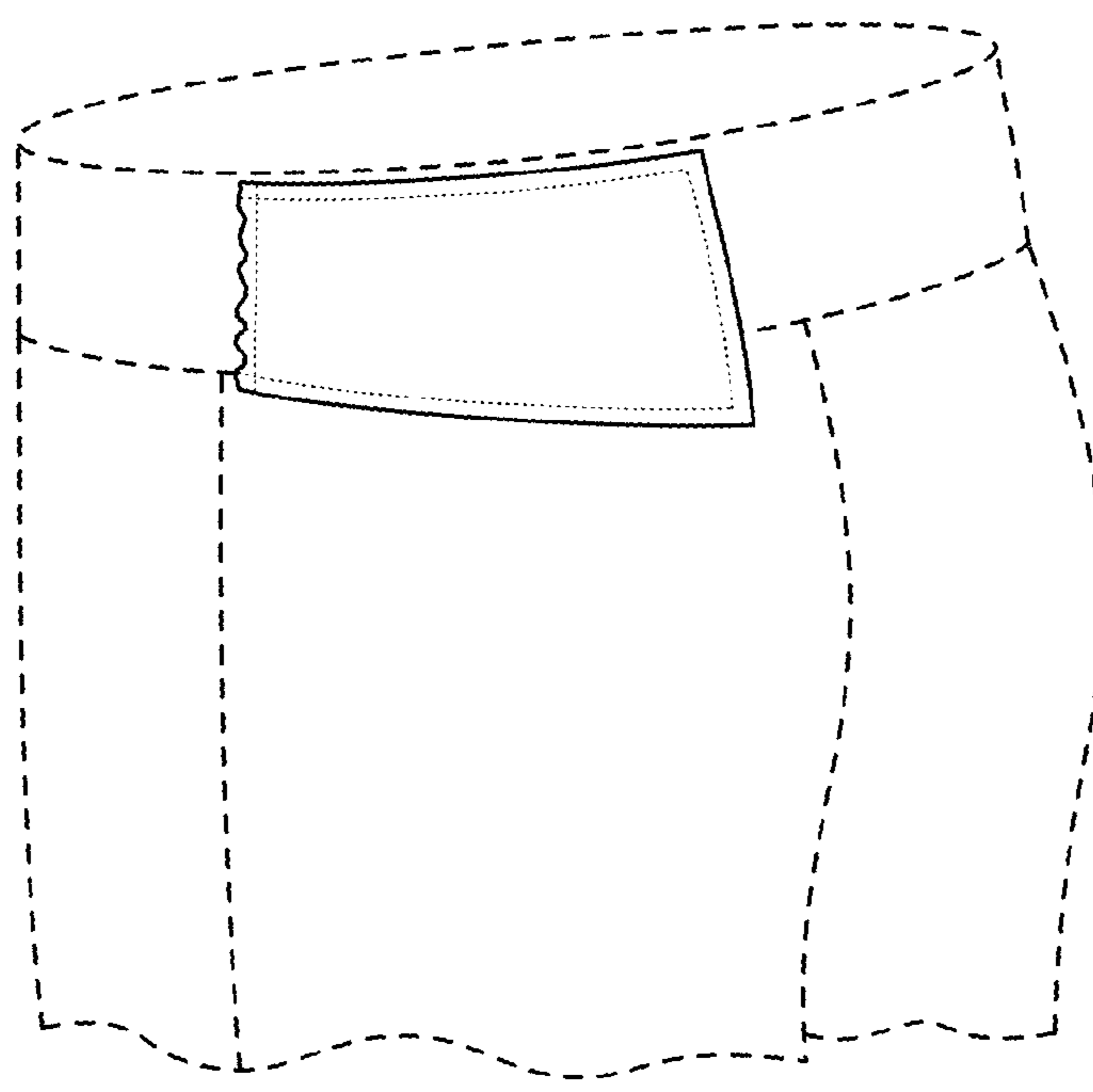
The ornamental design for a garment pocket, as shown and described.

DESCRIPTION

FIG. 1 is a front elevational view of the unclaimed garment shown in broken lines; the garment pocket is not visible from this view;
FIG. 2 is a rear elevational view of the garment pocket;
FIG. 3 is a left elevational view of the garment pocket;
FIG. 4 is a right elevational view of the unclaimed garment; shown in broken lines; the garment pocket is not visible in this view;
FIG. 5 is top elevational view of the garment pocket; and, FIG. 6 is rear perspective view of the garment pocket.
The broken lines illustrating portions of the garment pocket and garment show environmental structure and form no part of the claimed design.

1 Claim, 3 Drawing Sheets

(56) **References Cited**
U.S. PATENT DOCUMENTS
D153,045 S * 3/1949 Spector 2/116
4,651,355 A * 3/1987 White A41D 27/20
2/247
D294,651 S * 3/1988 Ferre D2/742
5,507,042 A * 4/1996 van der Slessen A41D 27/28
2/108
5,704,064 A * 1/1998 van der Slessen A41D 27/28
2/108
D591,482 S * 5/2009 Ramirez D2/742
D670,918 S * 11/2012 Benjamin D5/63
D691,348 S * 10/2013 Glaze D2/840
D694,492 S * 12/2013 OBrien D2/853



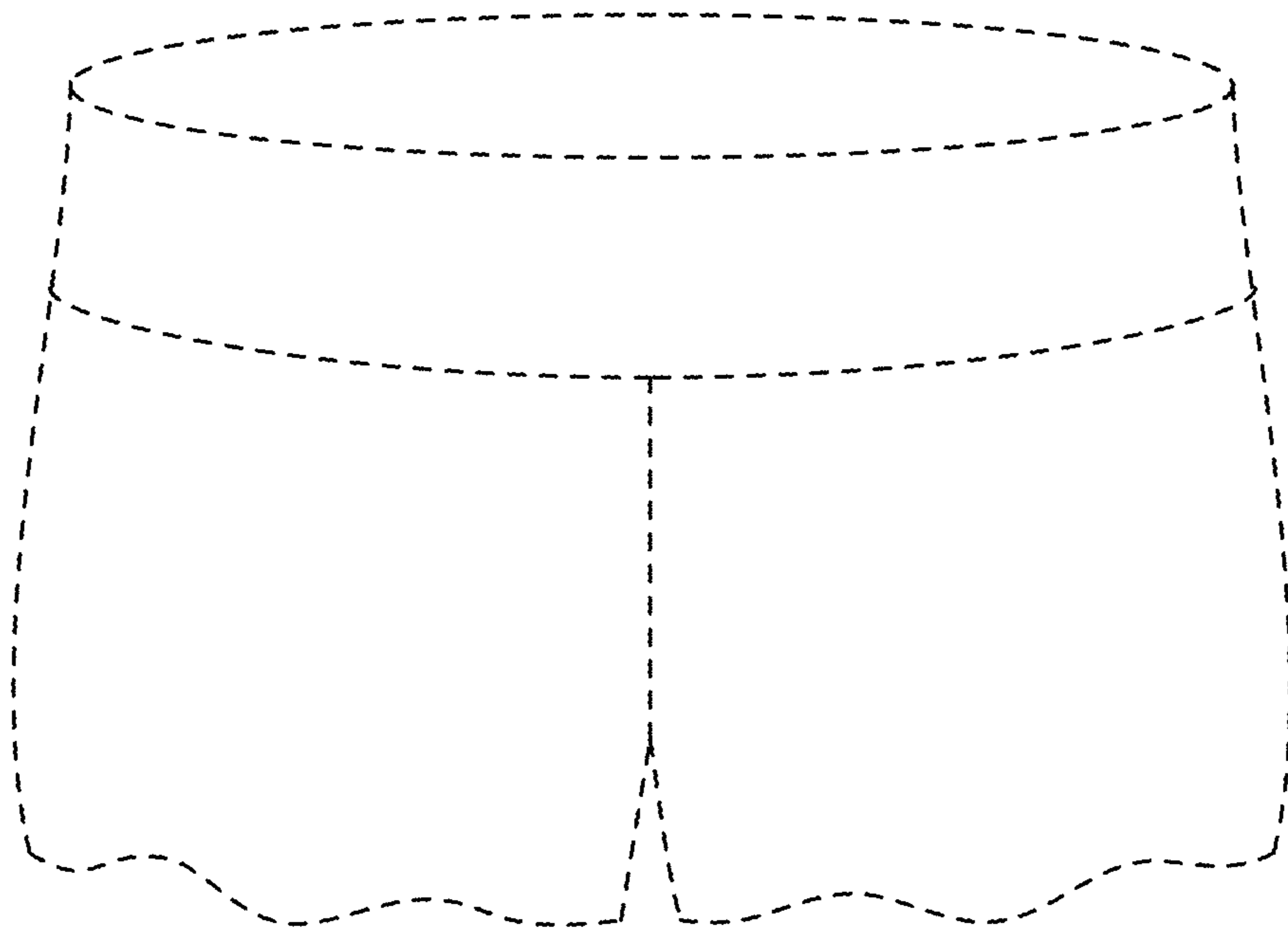


FIG. 1

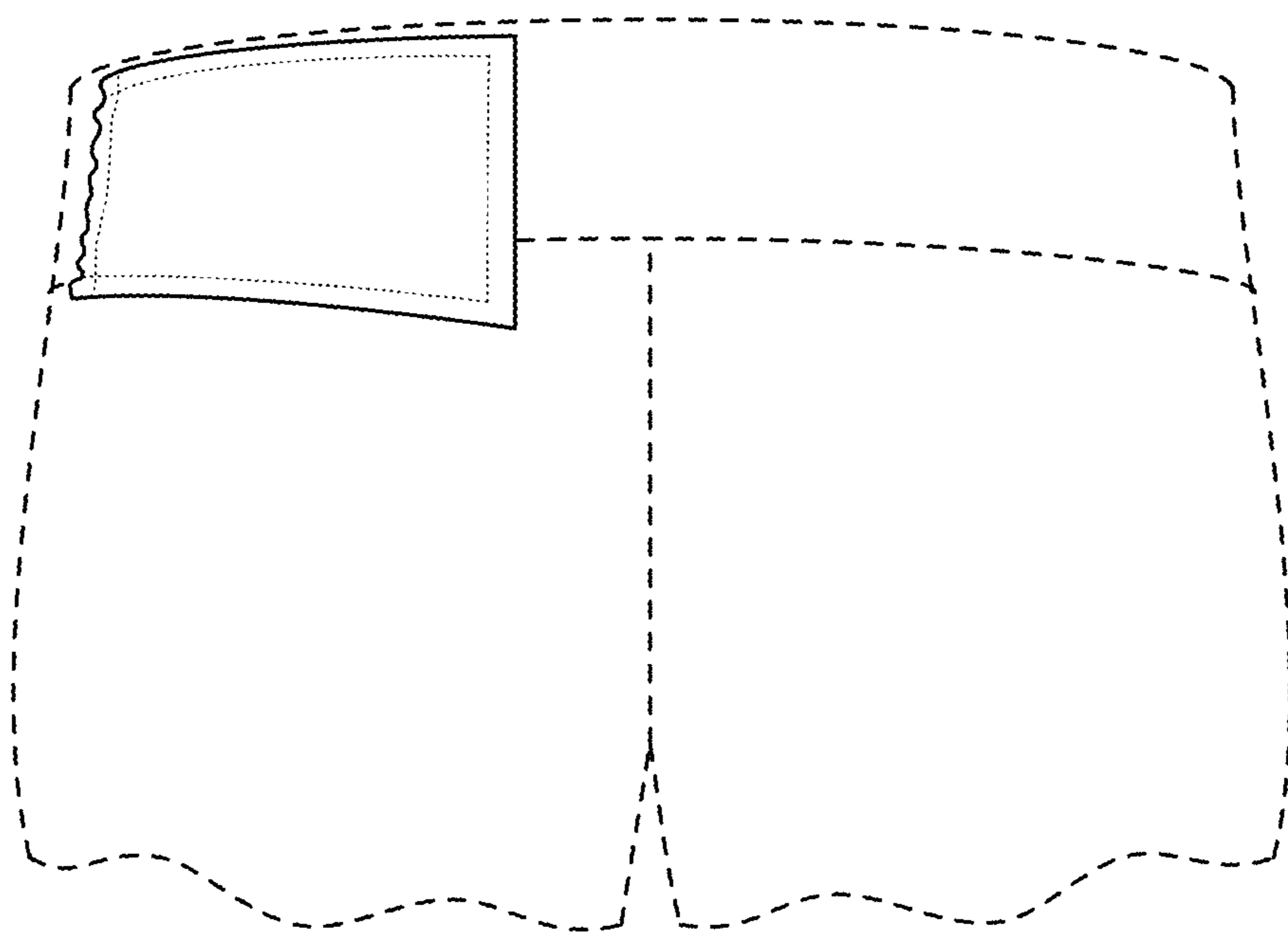


FIG. 2

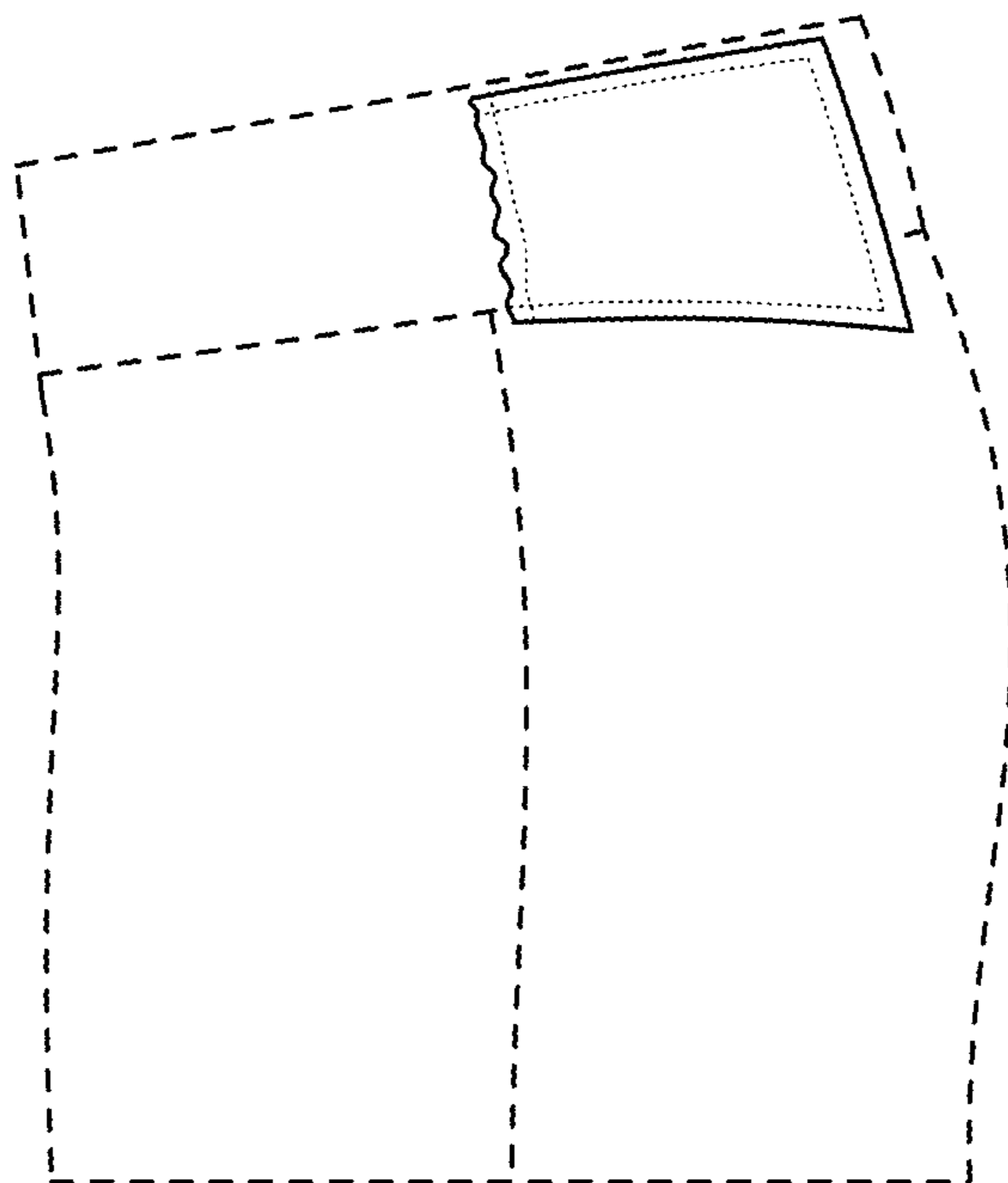


FIG. 3

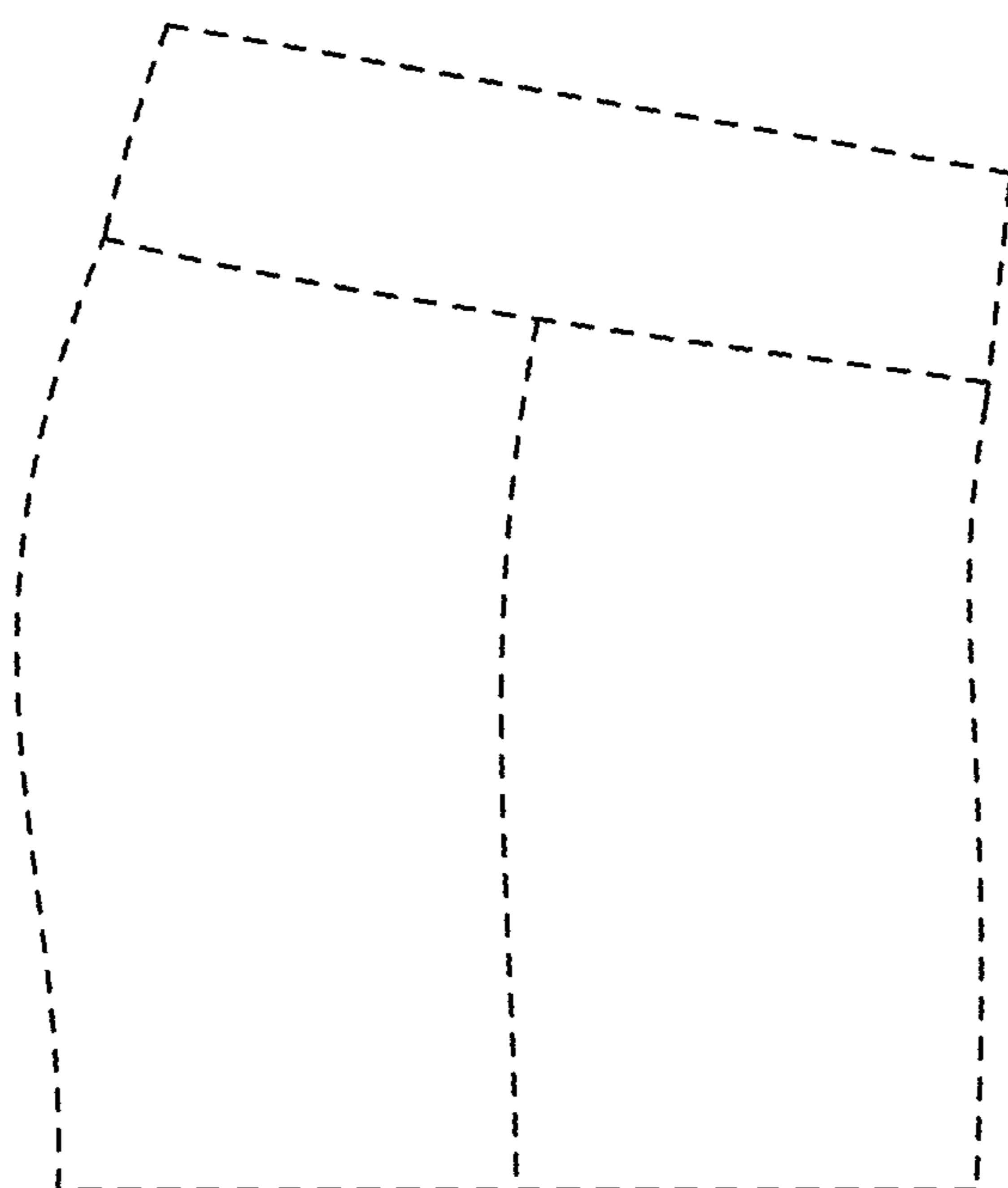


FIG. 4

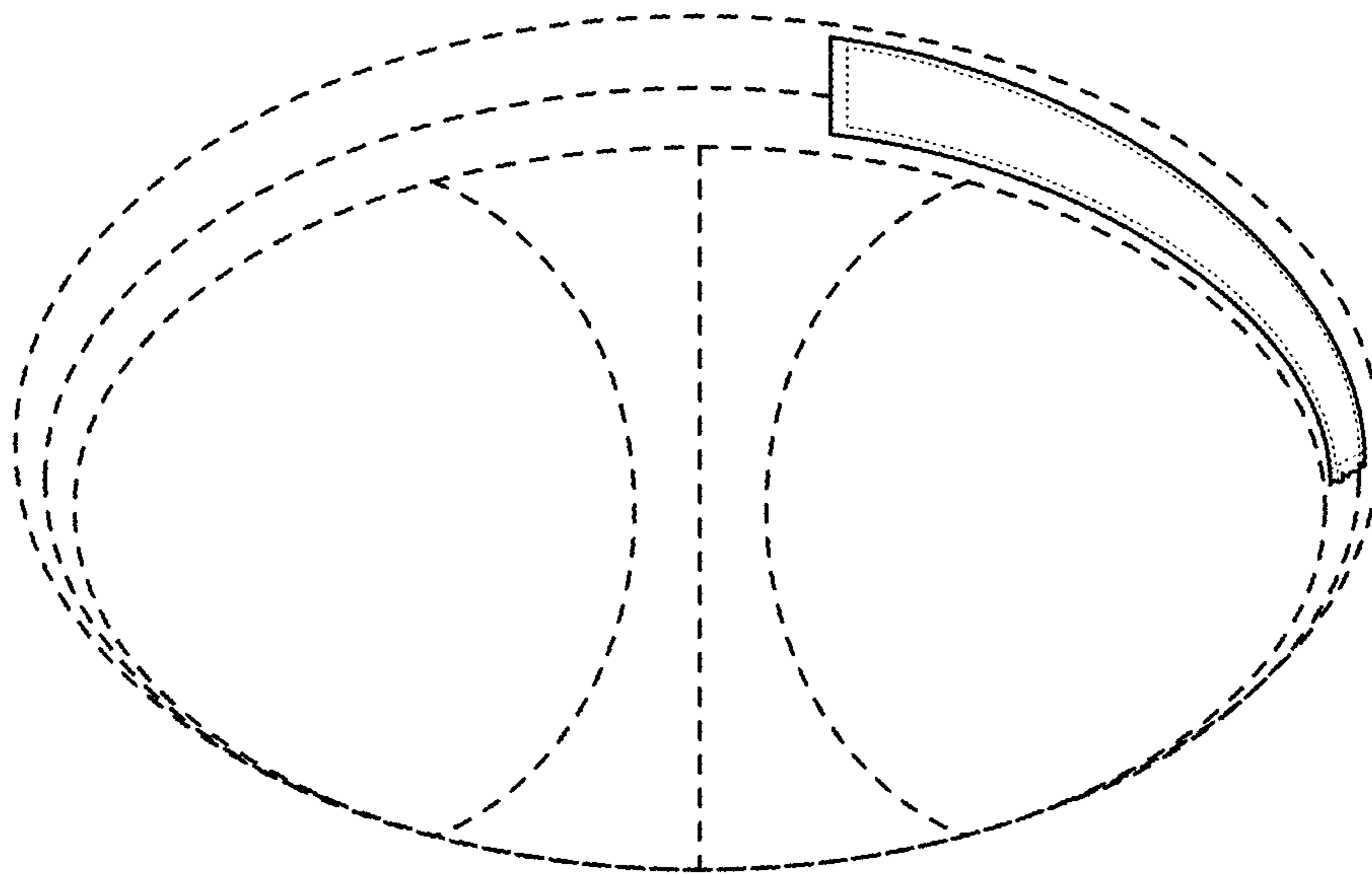


FIG. 5

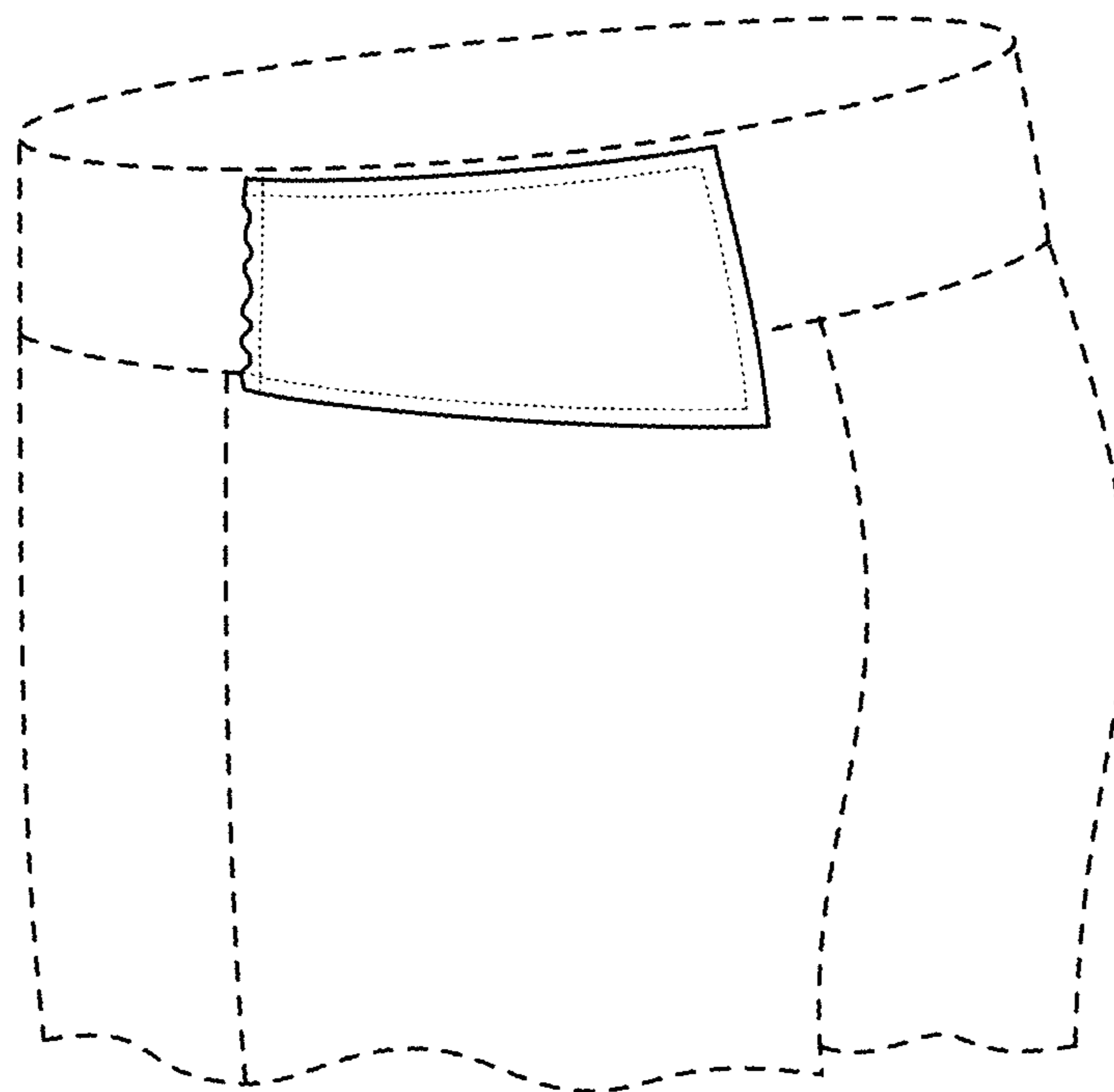


FIG. 6