



US00D805733S

(12) **United States Design Patent** (10) **Patent No.:** **US D805,733 S**
Reese et al. (45) **Date of Patent:** **** Dec. 26, 2017**

- (54) **MEDICAL GOWN**
- (71) Applicant: **Prestige Ameritech, Ltd.**, North Richland Hills, TX (US)
- (72) Inventors: **George Daniel Reese**, North Richland Hills, TX (US); **Donna L. Reese**, North Richland Hills, TX (US)
- (73) Assignee: **Prestige Ameritech, Ltd.**, North Richland Hills, TX (US)
- (**) Term: **15 Years**
- (21) Appl. No.: **29/602,592**
- (22) Filed: **May 2, 2017**

- D305,575 S 1/1990 Gordon
- D325,459 S * 4/1992 Keever D2/720
- D356,204 S * 3/1995 Derrickson D2/720
- D374,113 S * 10/1996 Console D2/720
- D393,140 S 4/1998 Shannon
- 6,049,907 A * 4/2000 Palomo A41D 13/1209
2/114
- 6,115,839 A * 9/2000 Covington A41D 13/1209
2/114

(Continued)

Primary Examiner — George D. Kirschbaum
Assistant Examiner — Clese Moore, Jr.
(74) *Attorney, Agent, or Firm* — BKDowd Law, P.C.;
Betsy Kingsbury Dowd

(57) **CLAIM**

The ornamental design for a medical gown, as depicted and described.

Related U.S. Application Data

- (62) Division of application No. 29/528,699, filed on May 30, 2015, now Pat. No. Des. 792,056.
- (51) **LOC (10) Cl.** **02-01**
- (52) **U.S. Cl.**
USPC **D2/720**
- (58) **Field of Classification Search**
USPC D2/720, 717, 718, 739, 797, 840, 841,
D2/844, 847-850
CPC A41D 13/12; A41D 13/1209; A41D
13/1236; A41D 13/1245
See application file for complete search history.

DESCRIPTION

FIG. 1 is a rear view of a medical gown depicting our new design;
FIG. 2 is a front view of the medical gown depicted in FIG. 1;
FIG. 3 is a front view of the medical gown depicted in FIG. 1 as worn by a user in an open configuration;
FIG. 4 is a rear view of the medical gown depicted in FIG. 1 as worn by a user in an open configuration;
FIG. 5 is a front view of the medical gown depicted in FIG. 1 as worn by a user in a closed configuration;
FIG. 6 is a rear view of the medical gown depicted in FIG. 1 as worn by a user in a closed configuration; and,
FIG. 7 is a detailed rear view of the medical gown depicted in FIG. 1.

The broken lines in FIGS. 3-6 represent portions of the human form to show the gown in use and form no part of the claimed design.

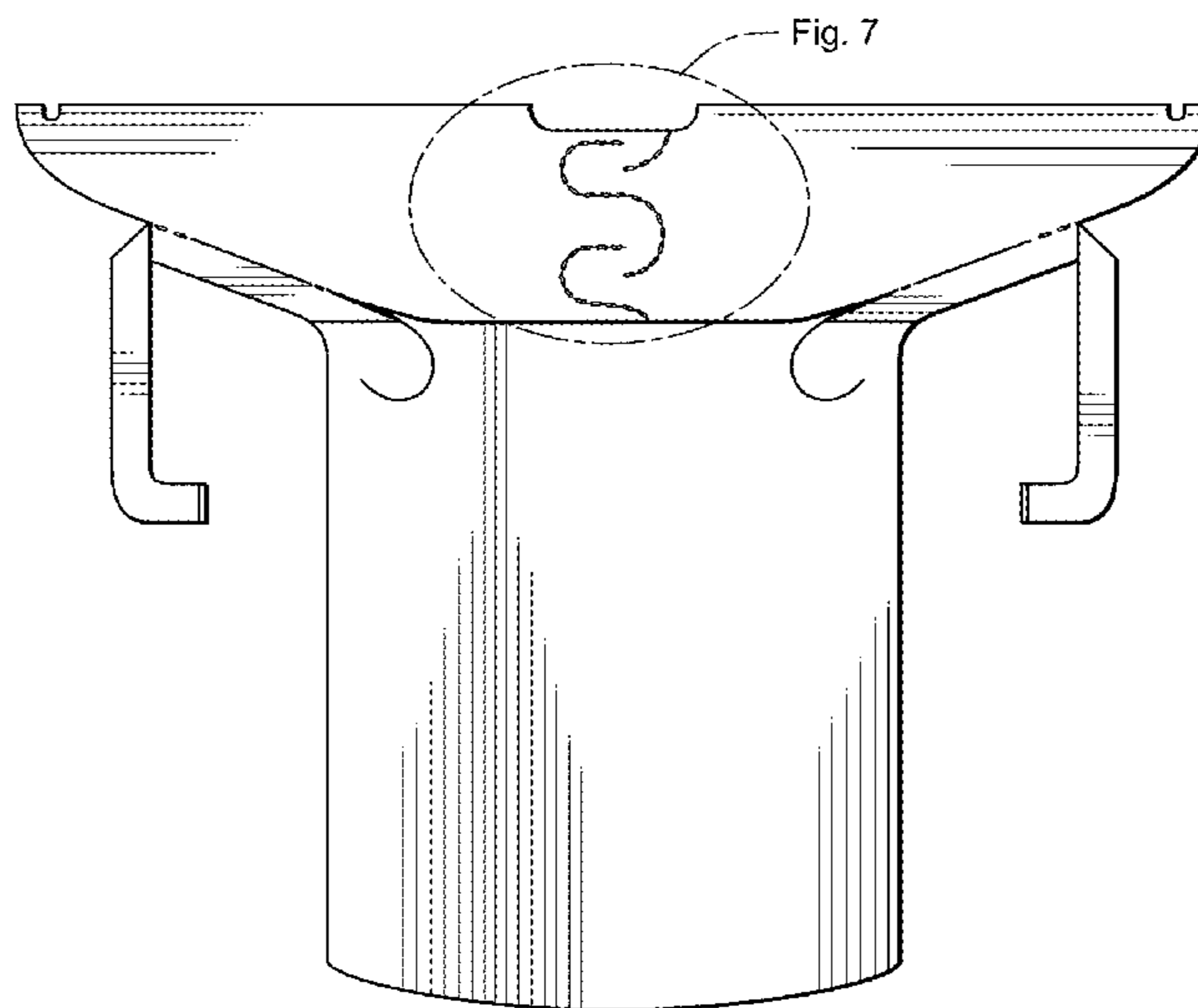
The elongated ellipses depicted in the figures represent perforations on the article.

(56) **References Cited**

U.S. PATENT DOCUMENTS

- D233,634 S * 11/1974 Snider D2/720
- 3,911,499 A 10/1975 Benevento
- 4,075,716 A 2/1978 Collins
- 4,535,481 A * 8/1985 Ruth-Larson A41D 13/1209
2/114
- 4,558,468 A * 12/1985 Landry A41D 13/1209
2/114
- 4,608,719 A 9/1986 Lunt

1 Claim, 6 Drawing Sheets



(56)

References Cited

U.S. PATENT DOCUMENTS

D469,945 S	2/2003	Mayer		2005/0143796 A1*	6/2005	Augustine	A61F 7/00
D495,468 S	9/2004	Wheeler-Dickson						607/104
D533,982 S	12/2006	Graneto, III		2006/0277655 A1*	12/2006	Kerr	A41D 13/1236
7,181,773 B1*	2/2007	Piraka					2/114
			A41D 13/1281	2007/0028343 A1	2/2007	Makowka		
			2/114	2009/0165186 A1*	7/2009	Mijares	A41D 13/1236
D598,638 S	8/2009	Graneto, III						2/83
D618,884 S *	7/2010	Zhu	2010/0064408 A1*	3/2010	Kemper	A41D 13/1209
			A41D 13/1209					2/51
			D2/720	2010/0299805 A1	12/2010	Graneto, III		
D622,934 S *	9/2010	Graneto, III	2012/0305541 A1*	12/2012	Giles	A41D 13/0051
D624,280 S *	9/2010	Halseth					219/211
7,971,274 B2	7/2011	Graneto, III		2013/0091615 A1*	4/2013	Pasko	A41D 13/12
D647,688 S	11/2011	Hilgart						2/114
D687,209 S	8/2013	Levine		2013/0091616 A1*	4/2013	Muche	A41D 13/1209
D690,078 S	9/2013	Anderson						2/114
D721,869 S	2/2015	Bernier		2013/0191960 A1	8/2013	Pasko		
D721,870 S *	2/2015	Levine	2013/0198930 A1*	8/2013	Levine	A41F 1/00
D736,493 S	8/2015	Pasko						2/114
D741,044 S	10/2015	Pasko		2013/0318682 A1	12/2013	Graneto, III		
D774,729 S	12/2016	Pasko		2014/0007316 A1	1/2014	Tommarello		
D779,155 S *	2/2017	Pasko	2015/0135397 A1*	5/2015	Levine	A41D 13/1236
D779,156 S *	2/2017	Pasko					2/114
D785,284 S *	5/2017	Pasko	2015/0135398 A1*	5/2015	Czajka	A41D 13/12
2001/0032346 A1*	10/2001	Matsushita					2/114
			A41D 13/1209	2016/0345644 A1	12/2016	Reese		
			2/83	2016/0345645 A1	12/2016	Reese		

* cited by examiner

Fig. 1

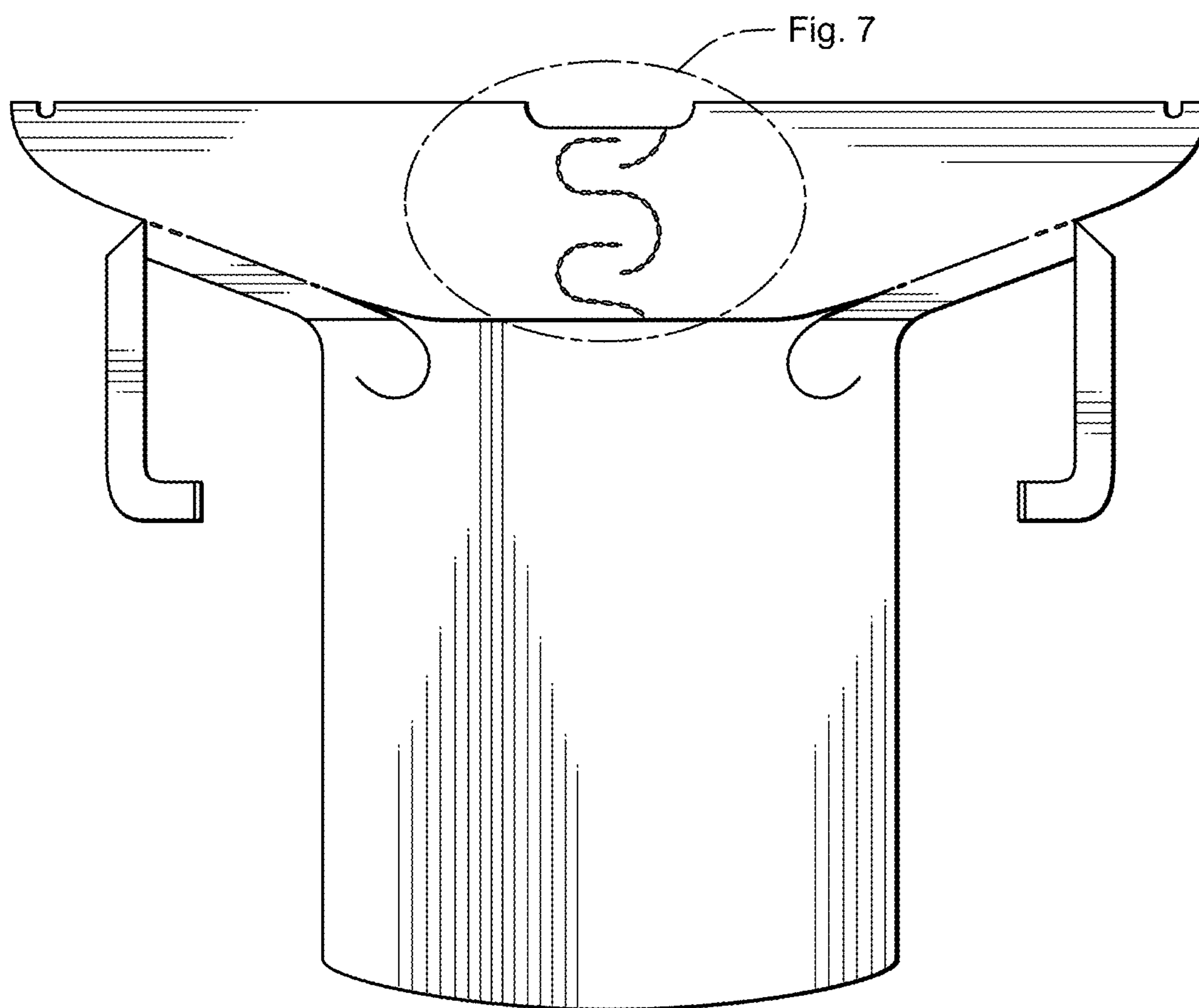


Fig. 2

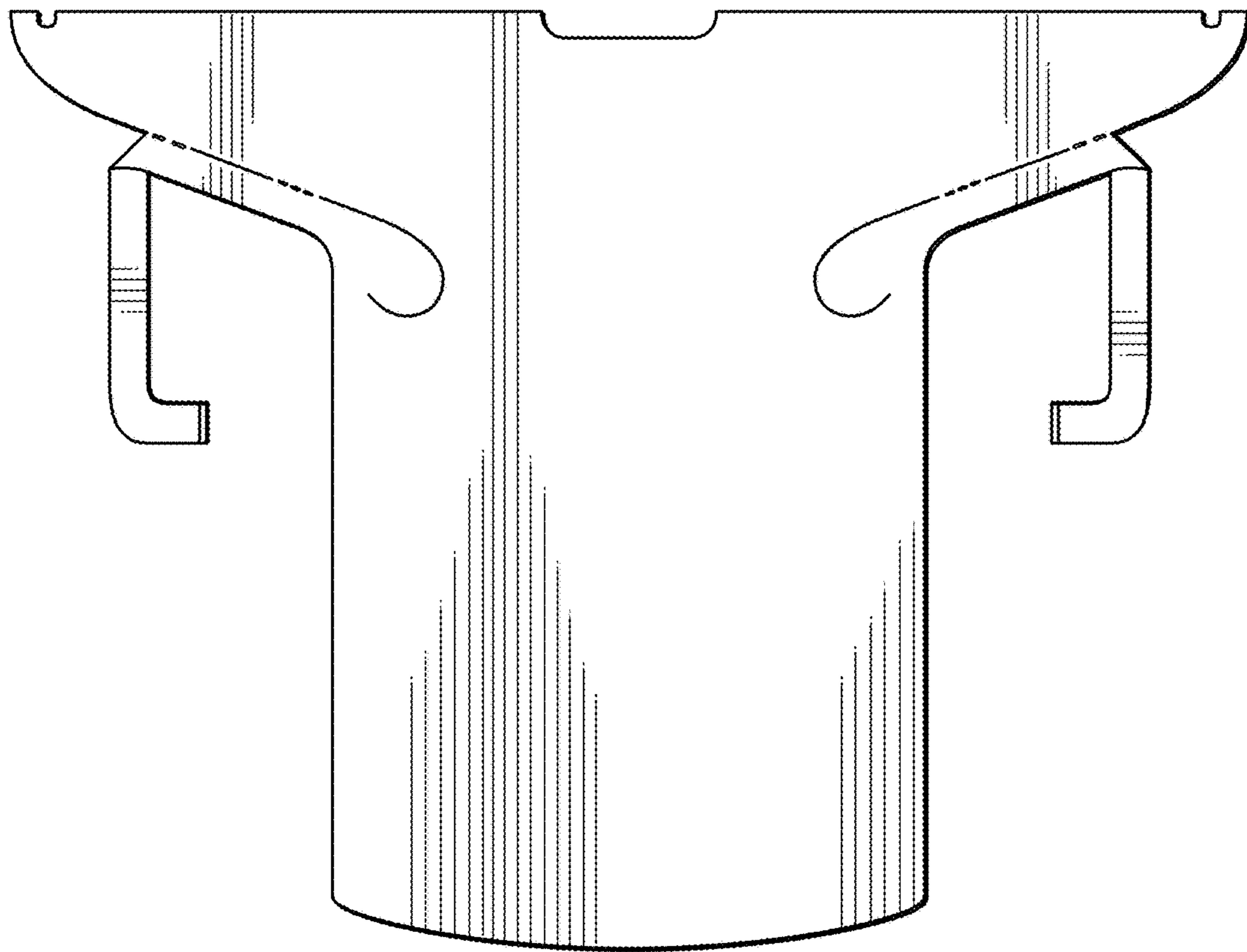


Fig. 3

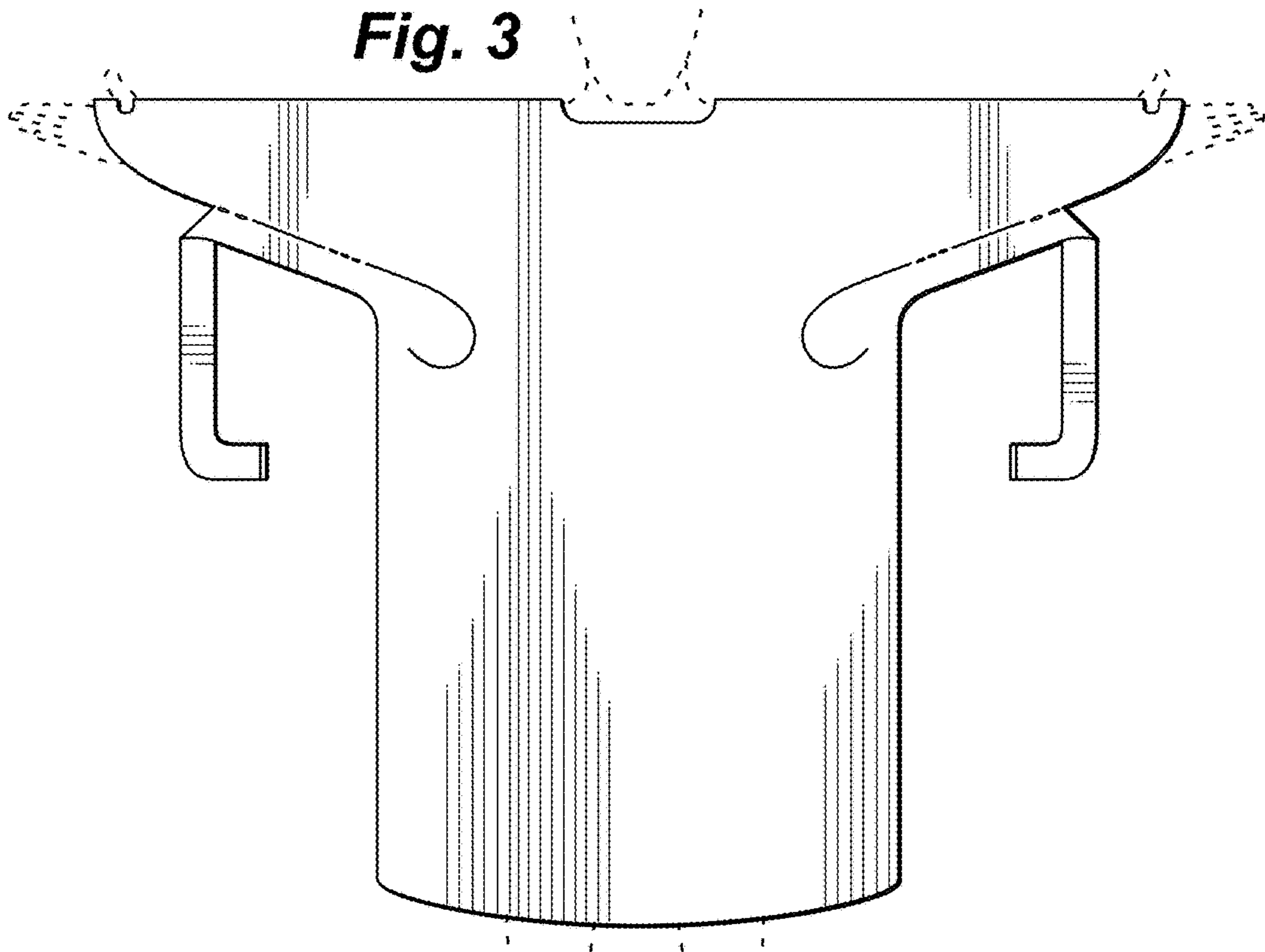


Fig. 4

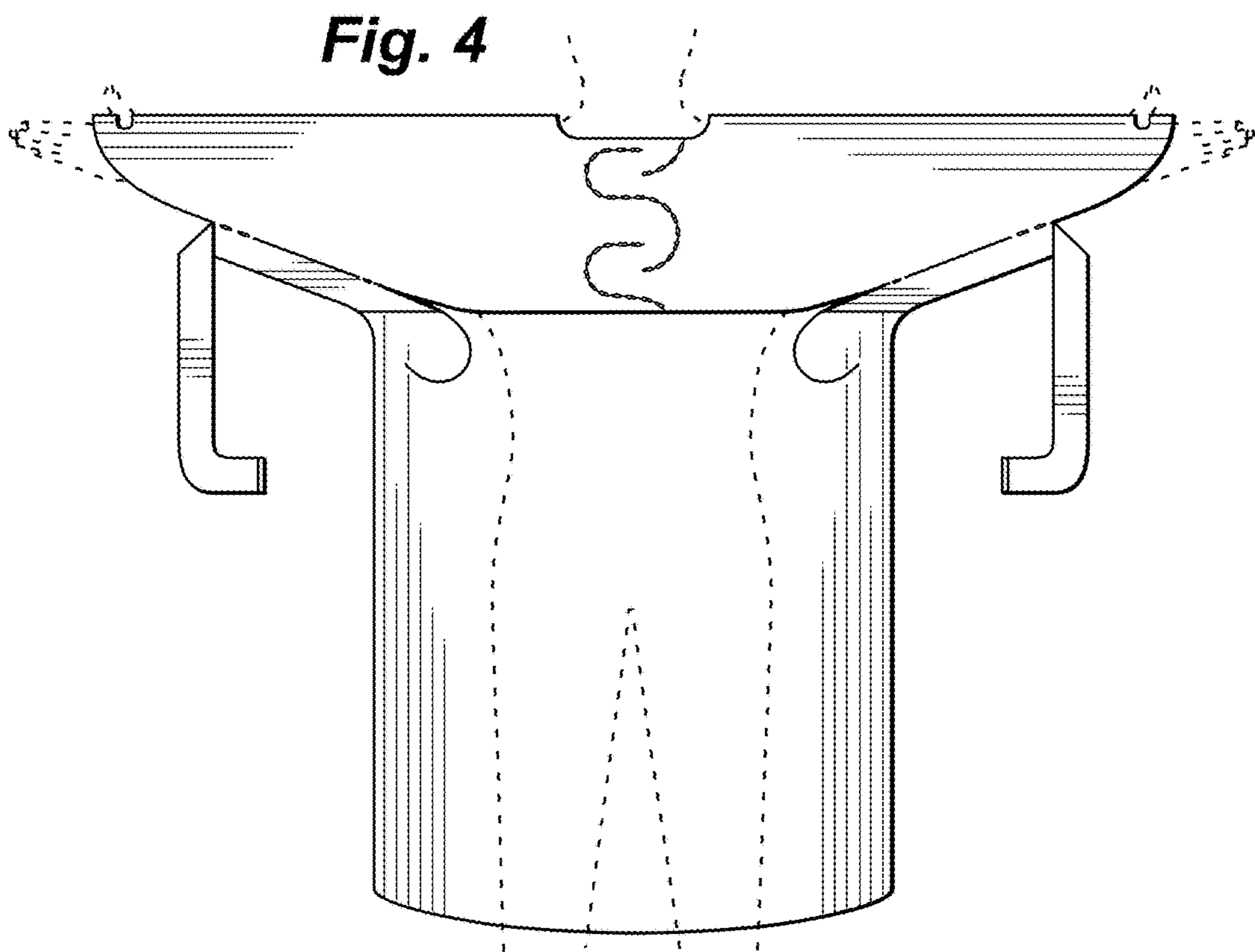


Fig. 5

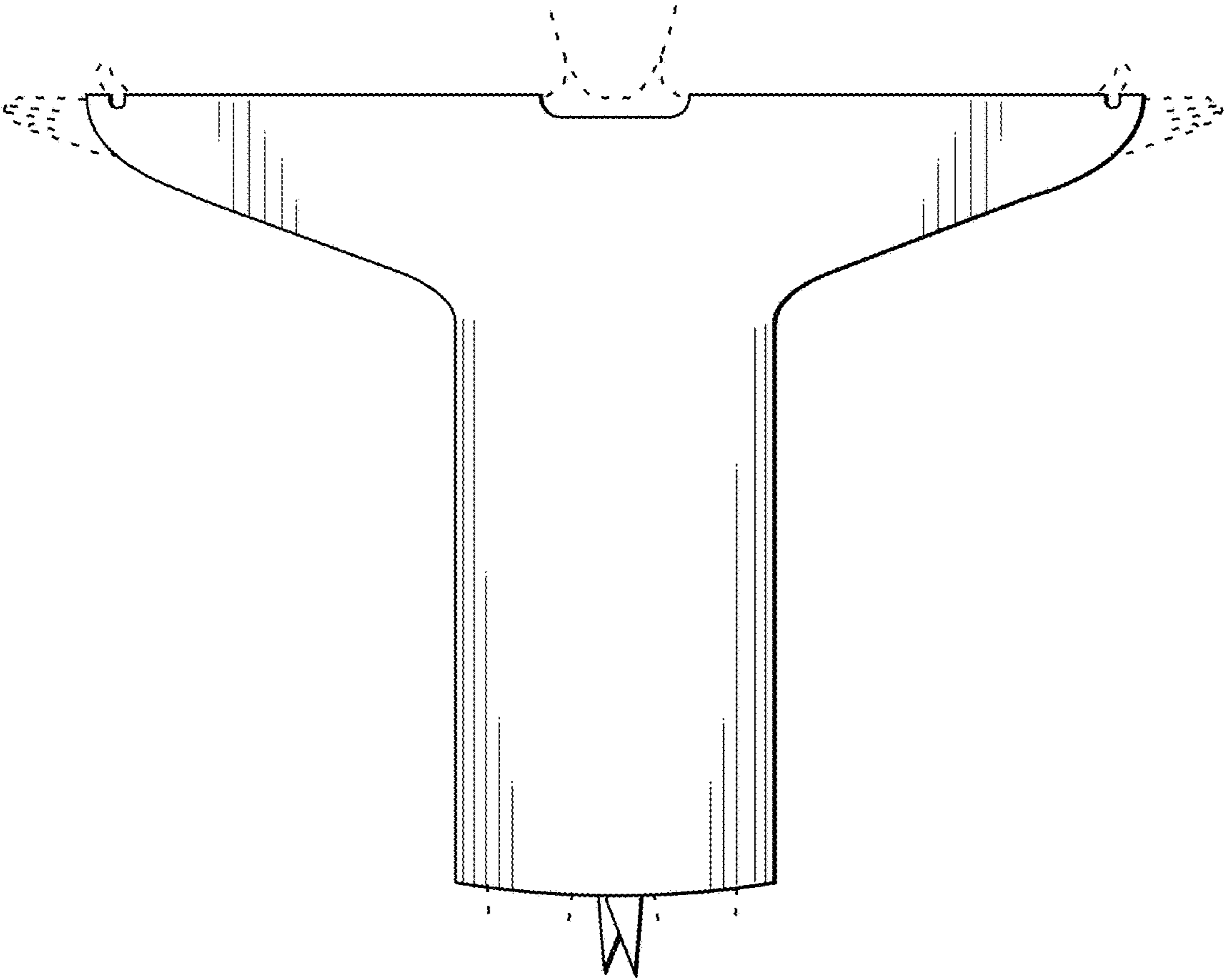


Fig. 6

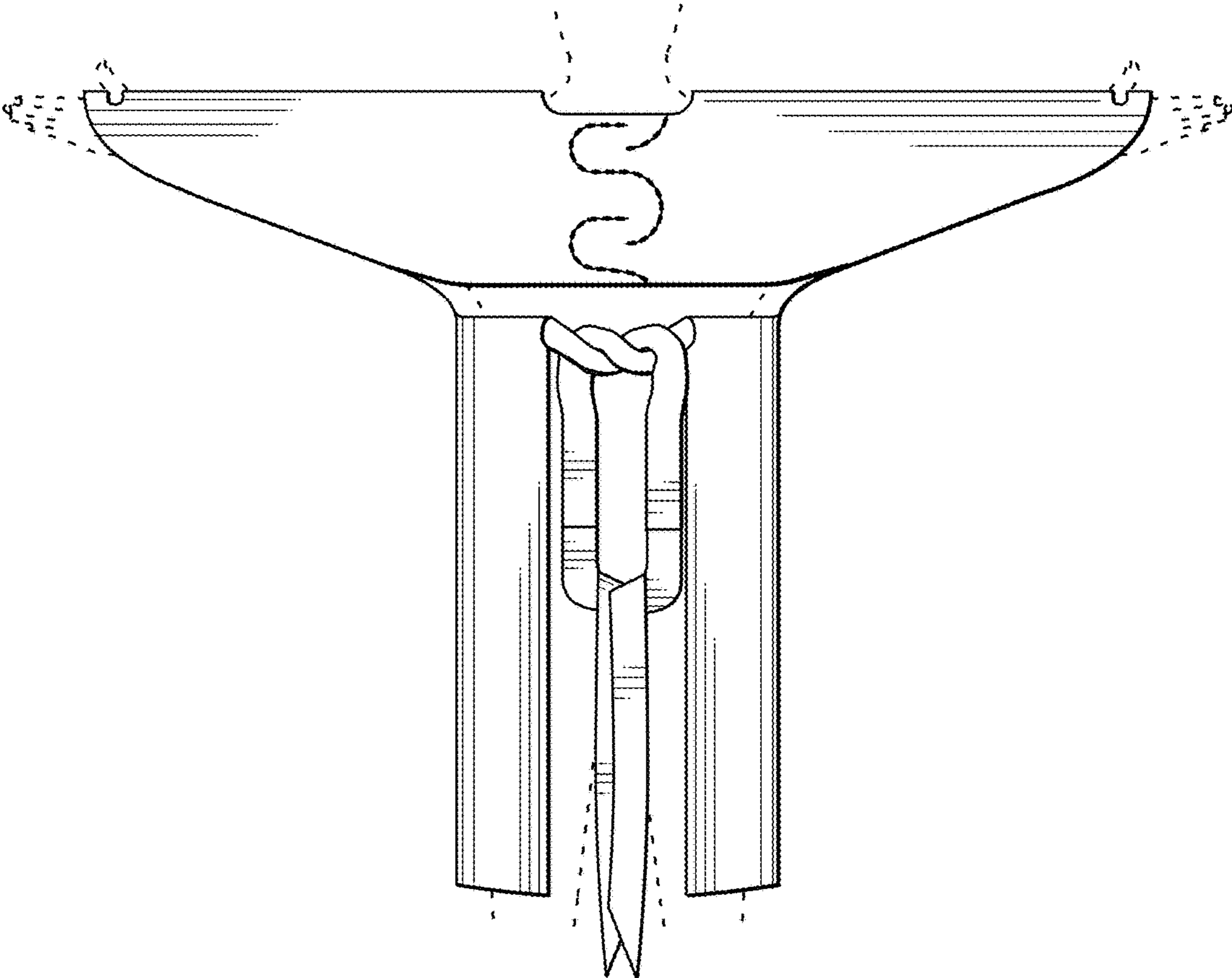


Fig. 7

