



US00D805725S

(12) **United States Design Patent** (10) **Patent No.:** **US D805,725 S**  
**Kimura et al.** (45) **Date of Patent:** **\*\* Dec. 26, 2017**

(54) **DRIED NOODLE**  
(71) Applicant: **NISSHIN FOODS INC.**, Tokyo (JP)  
(72) Inventors: **Ryusuke Kimura**, Fujimino (JP);  
**Masafumi Higashi**, Fujimino (JP)  
(73) Assignee: **Nisshin Foods Inc.**, Tokyo (JP)  
(\*\*) Term: **15 Years**

(21) Appl. No.: **35/501,018**  
(22) Filed: **Dec. 1, 2015**

(80) **Hague Agreement Data**  
Int. Filing Date: **Dec. 1, 2015**  
Int. Reg. No.: **DM/089495**  
Int. Reg. Date: **Dec. 1, 2015**  
Int. Reg. Pub. Date: **Jun. 3, 2016**

(51) **LOC (10) Cl.** ..... **01-01**  
(52) **U.S. Cl.**  
USPC ..... **D1/126**

(58) **Field of Classification Search**  
USPC ..... D1/100-130, 199  
CPC . A23L 7/109; A23L 19/19; A23L 7/17; A21C  
11/16; A21C 3/08  
See application file for complete search history.

(56) **References Cited**  
U.S. PATENT DOCUMENTS  
4,752,205 A \* 6/1988 Moriyama ..... A21C 3/04  
264/177.1  
D381,486 S \* 7/1997 Hauser ..... D1/126  
D437,101 S \* 2/2001 Debbouz ..... D1/126  
D492,467 S \* 7/2004 Pittard ..... 426/500  
D507,691 S \* 7/2005 Leiweke ..... D1/121  
D538,507 S \* 3/2007 Tansey ..... D1/125  
D683,517 S \* 6/2013 Tansey ..... D1/125  
D683,927 S \* 6/2013 Tansey ..... D1/125  
D684,337 S \* 6/2013 Tansey ..... D1/125

8,647,694 B2 \* 2/2014 Kimura ..... A23L 7/109  
426/557  
D725,868 S \* 4/2015 Kimura ..... D1/126  
D775,450 S \* 1/2017 Kimura ..... D1/126

(Continued)

*Primary Examiner* — George D Kirschbaum  
*Assistant Examiner* — Jennifer Watkins  
(74) *Attorney, Agent, or Firm* — Muncy, Geissler, Olds &  
Lowe, P.C.

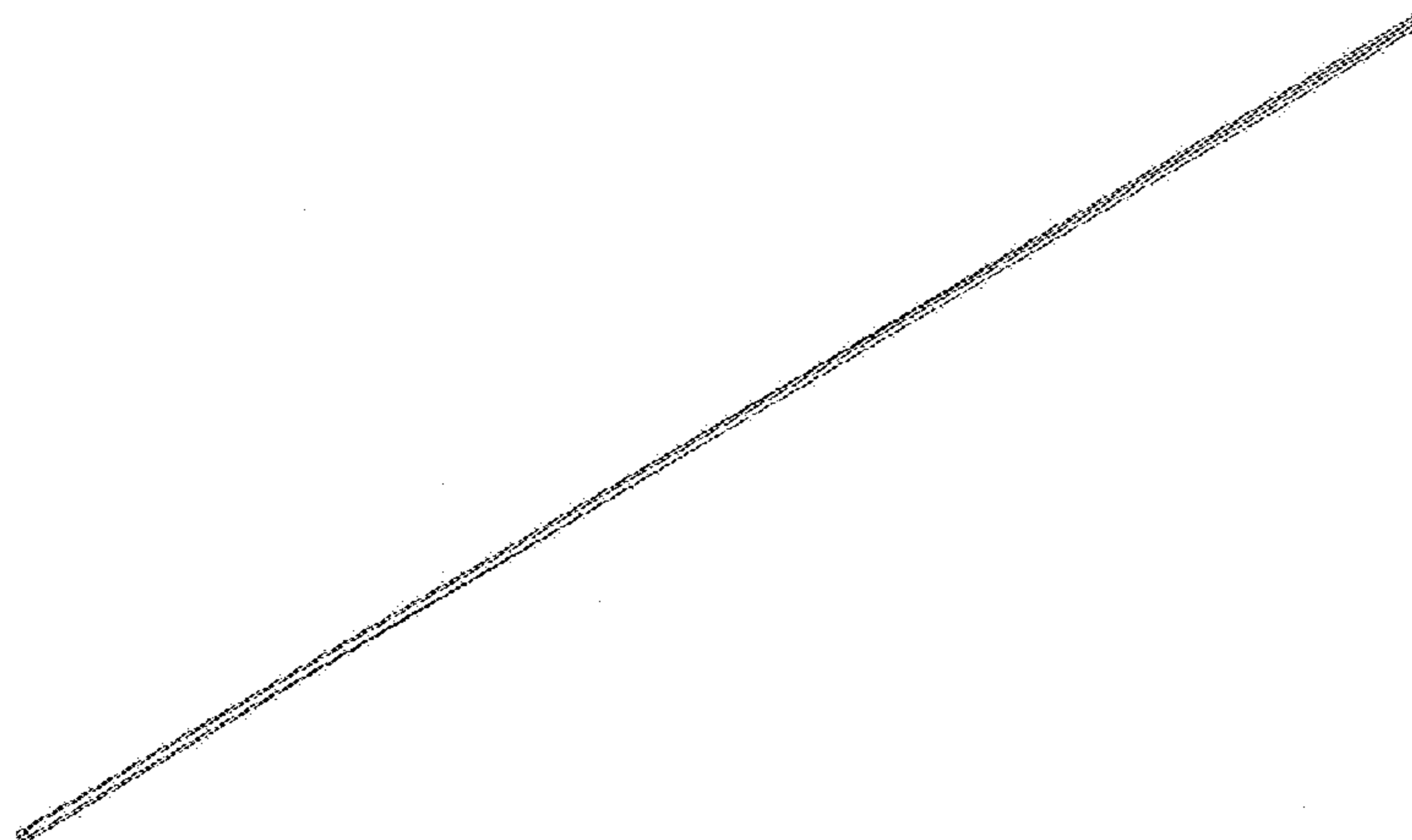
(57) **CLAIM**

The ornamental design for a dried noodle, as shown and described.

**DESCRIPTION**

1.-2. Dried noodles  
1.1 : Perspective  
1.2 : Front  
1.3 : Back  
1.4 : Left  
1.5 : Right  
1.6 : Top  
1.7 : Bottom  
1.8 : Enlarged perspective view of left end part  
1.9 : Enlarged left view  
1.10 : Enlarged right view  
2.1 : Perspective  
2.2 : Front  
2.3 : Back  
2.4 : Left  
2.5 : Right  
2.6 : Top  
2.7 : Bottom  
2.8 : Enlarged perspective view of left end part  
2.9 : Enlarged left view  
2.10 : Enlarged right view  
Dried noodles which have grooves on the outer peripheral portions thereof; the grooves are twisted at a rate of 60 degrees rotational angle to the central axis of the noodles per 25 cm length in the axial direction; the axial length of each dried noodle is 125 times to its diameter.

**1 Claim, 20 Drawing Sheets**



(56)

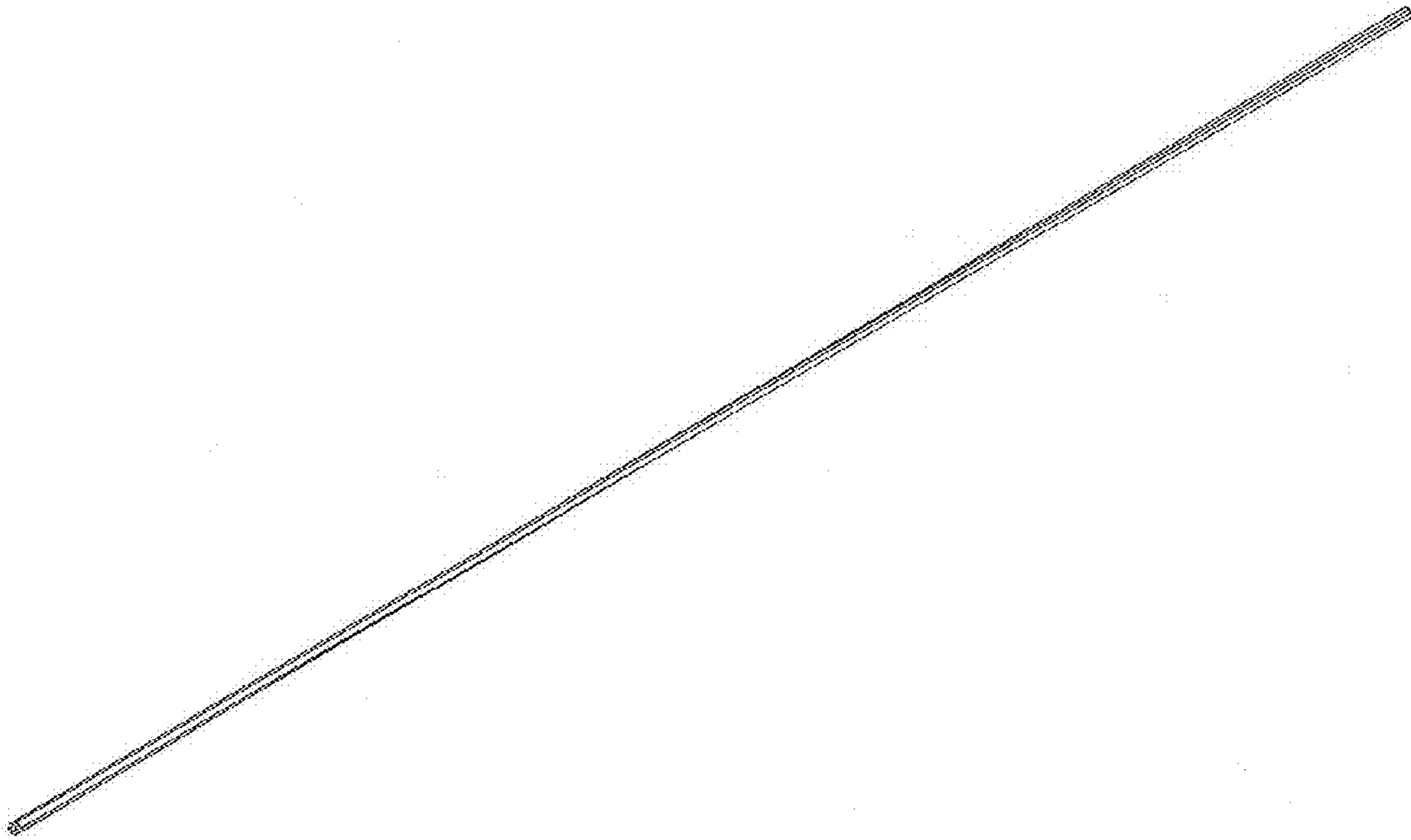
**References Cited**

U.S. PATENT DOCUMENTS

D781,025 S \* 3/2017 Pope ..... D1/125  
2012/0135123 A1 \* 5/2012 Kimura ..... A23L 7/109  
426/557

\* cited by examiner

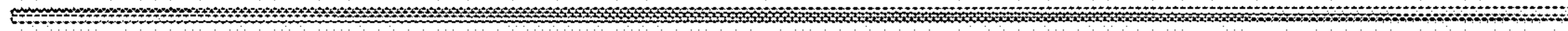
1.1



**1.2**

---

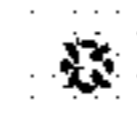
**1.3**



**1.4**



**1.5**



**1.6**

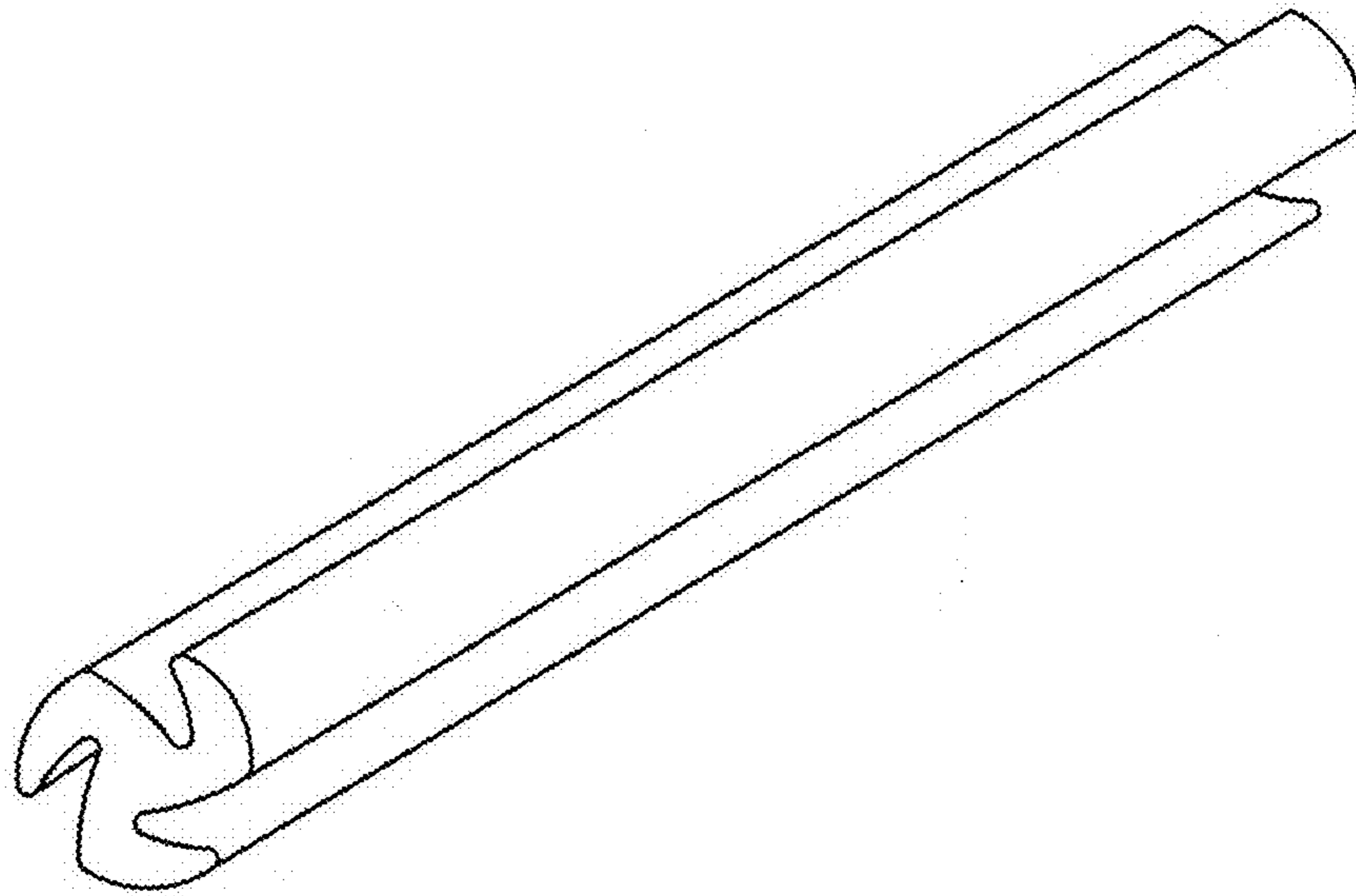
---



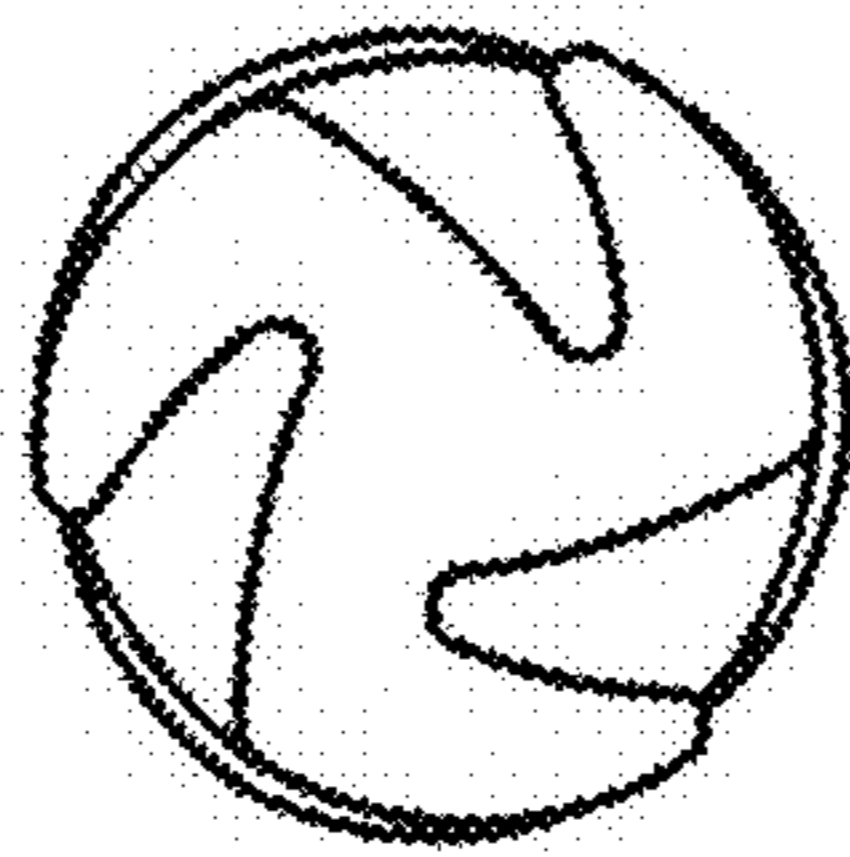
**1.7**

---

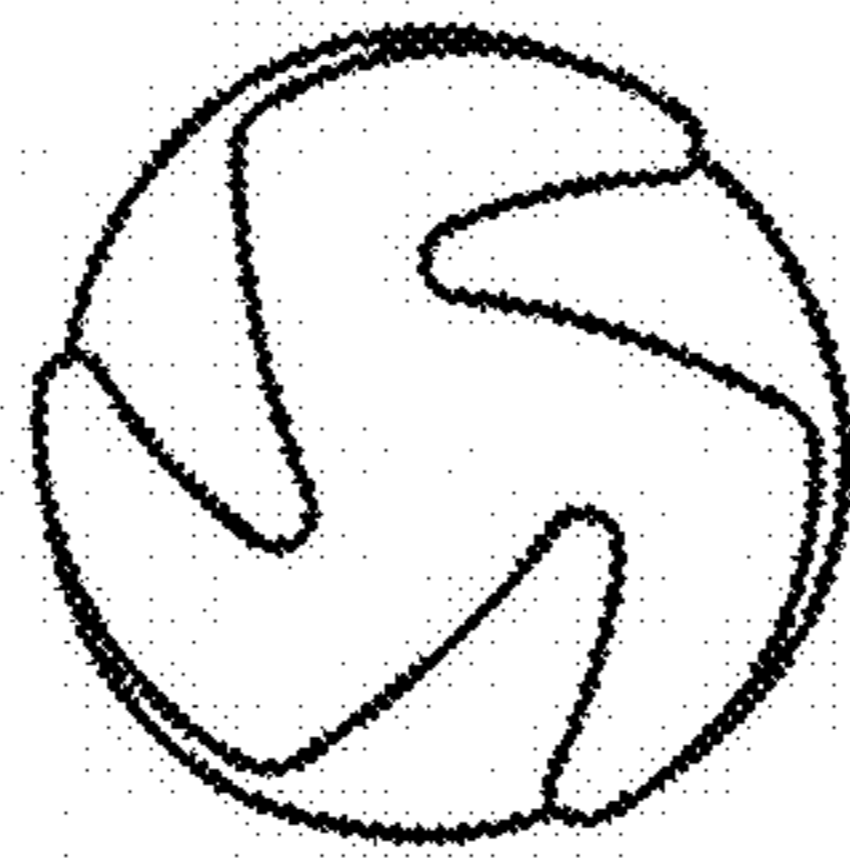
1.8



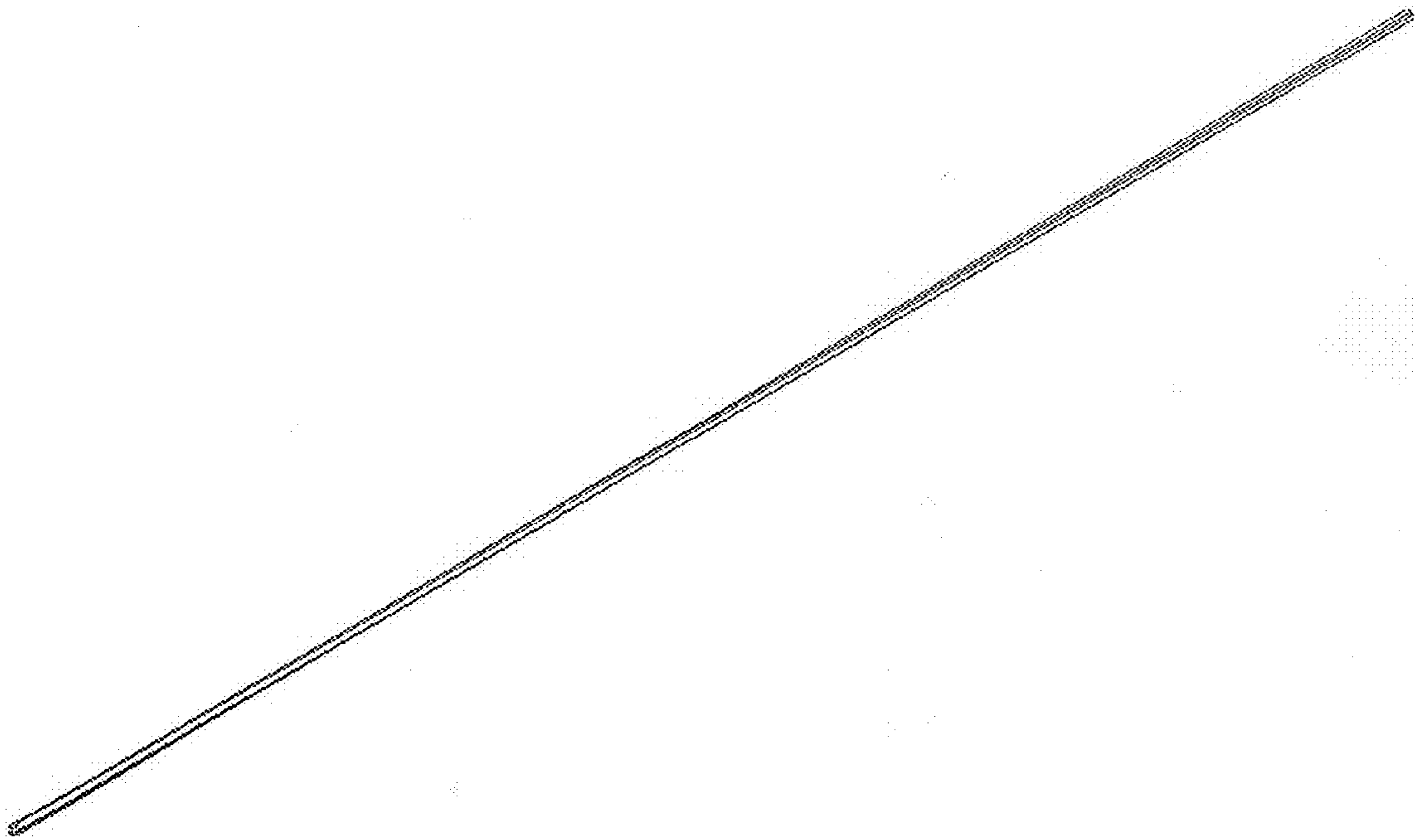
1.9



1.10



2.1



2.2

---

**2.3**

---

**2.4**





**2.5**



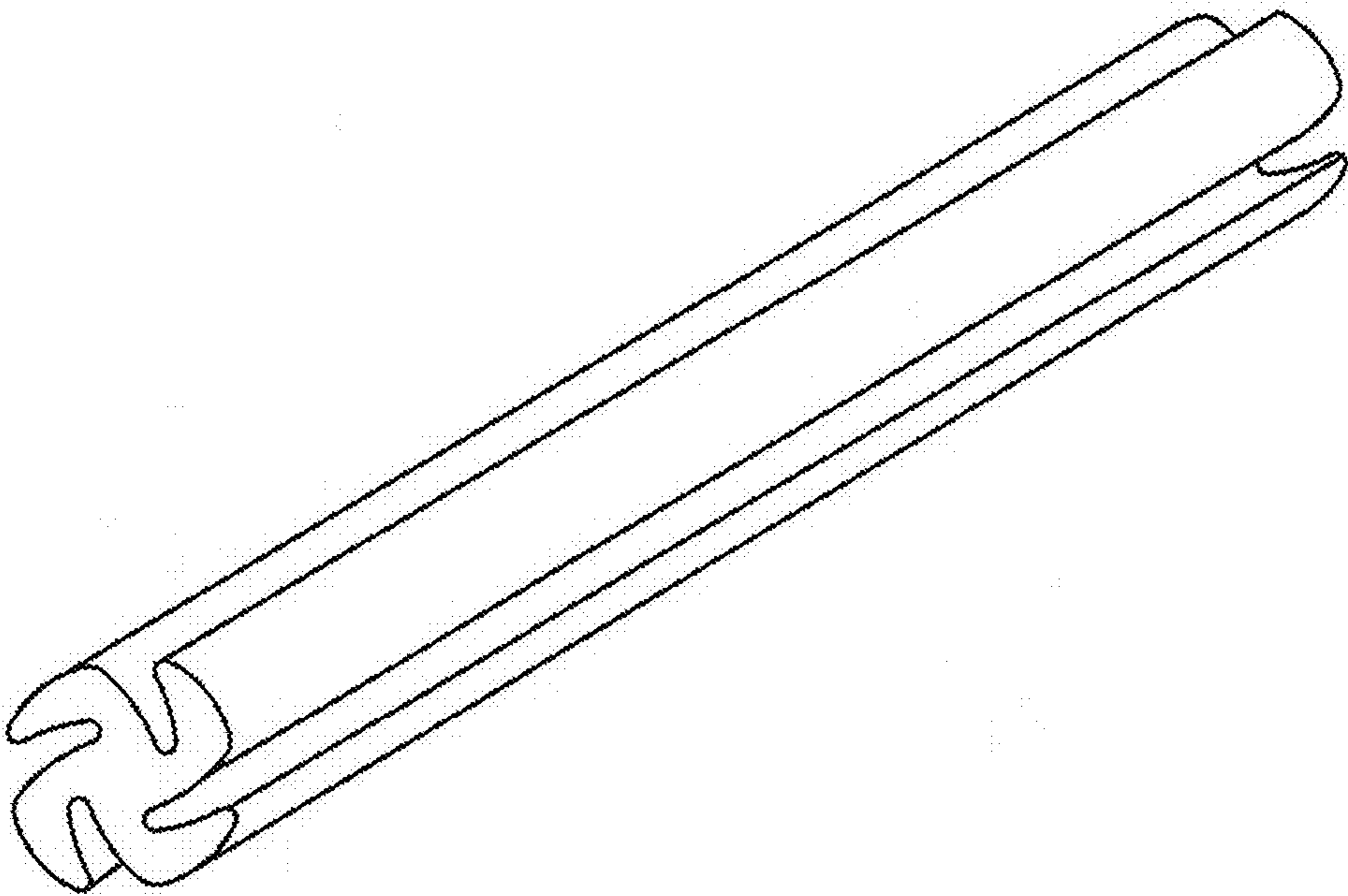
**2.6**

---

2.7

---

2.8



2.9



2.10

