



US00D805719S

(12) **United States Design Patent**  
**Kelly**

(10) **Patent No.:** **US D805,719 S**

(45) **Date of Patent:** **\*\* Dec. 19, 2017**

(54) **WALL-MOUNTED MAILBOX WITH SHELF**

(71) Applicant: **John G. Kelly**, Raleigh, NC (US)

(72) Inventor: **John G. Kelly**, Raleigh, NC (US)

(\*\*) Term: **15 Years**

(21) Appl. No.: **29/563,239**

(22) Filed: **May 3, 2016**

(51) **LOC (10) Cl.** ..... **99-00**

(52) **U.S. Cl.**  
USPC ..... **D99/33**

(58) **Field of Classification Search**  
USPC .... D99/28, 29, 31, 33, 43, 99; D3/201, 303,  
D3/304; D6/553, 567, 512, 573;  
D19/65, 75, 86, 90, 99, 100  
CPC ..... A47G 29/00; A47G 29/08; A47G 29/12;  
A47G 29/1201; A47G 29/1203; A47G  
29/1207; A47G 29/1209; A47G 29/1218;  
A47G 29/16; E05G 1/00; E05G 1/005  
See application file for complete search history.

(56) **References Cited**

**U.S. PATENT DOCUMENTS**

- D25,400 S \* 4/1896 Hadley ..... D99/33
- 910,355 A \* 1/1909 Cannady ..... A47G 29/121  
232/35
- D140,425 S \* 2/1945 Johnson ..... 217/5
- D166,748 S \* 5/1952 Gosweiler ..... D99/33
- D172,291 S \* 5/1954 Levine ..... D99/33
- D176,539 S \* 1/1956 Levine ..... D99/33
- D183,941 S \* 11/1958 Masso ..... D99/33
- D183,942 S \* 11/1958 Masso ..... D99/33
- 2,860,830 A \* 11/1958 Mrenza ..... A47G 29/12  
232/17
- D187,443 S \* 3/1960 Martell ..... D99/33
- D189,169 S \* 11/1960 Blumenthal ..... D99/33
- D217,039 S \* 3/1970 Corkery ..... D99/33
- D219,487 S \* 12/1970 Blumberg ..... D99/33

- D230,648 S \* 3/1974 Fibus ..... D99/33
- 3,801,002 A \* 4/1974 Best ..... A47G 29/1209  
232/17
- D231,636 S \* 5/1974 Fibus ..... D99/33
- 3,813,029 A \* 5/1974 Ostrom ..... A47G 29/121  
232/17
- 3,935,994 A \* 2/1976 Darvishian ..... A47G 29/1225  
232/17
- D248,677 S \* 7/1978 Masso ..... D99/29
- D254,635 S \* 4/1980 Earle ..... D99/33
- D315,045 S \* 2/1991 Vanaman ..... D99/30
- D337,415 S \* 7/1993 McDowell ..... D99/28
- D396,063 S \* 7/1998 Elmer ..... D19/75
- 5,845,843 A \* 12/1998 Kuller ..... A47G 29/12  
232/17
- D442,760 S \* 5/2001 Cavero ..... D99/33

(Continued)

*Primary Examiner* — Elizabeth J Oswecki  
(74) *Attorney, Agent, or Firm* — Coats & Bennett, PLLC

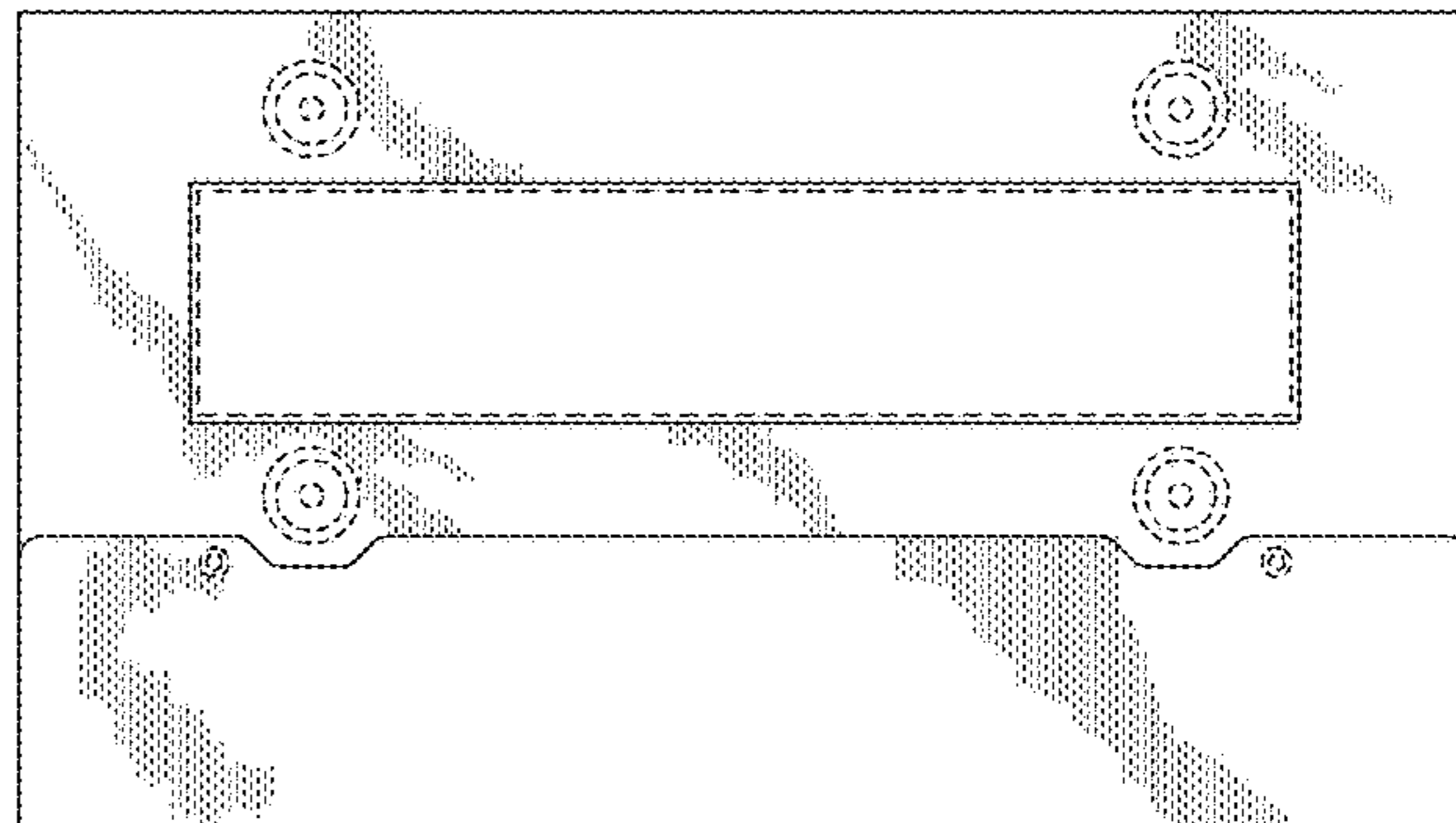
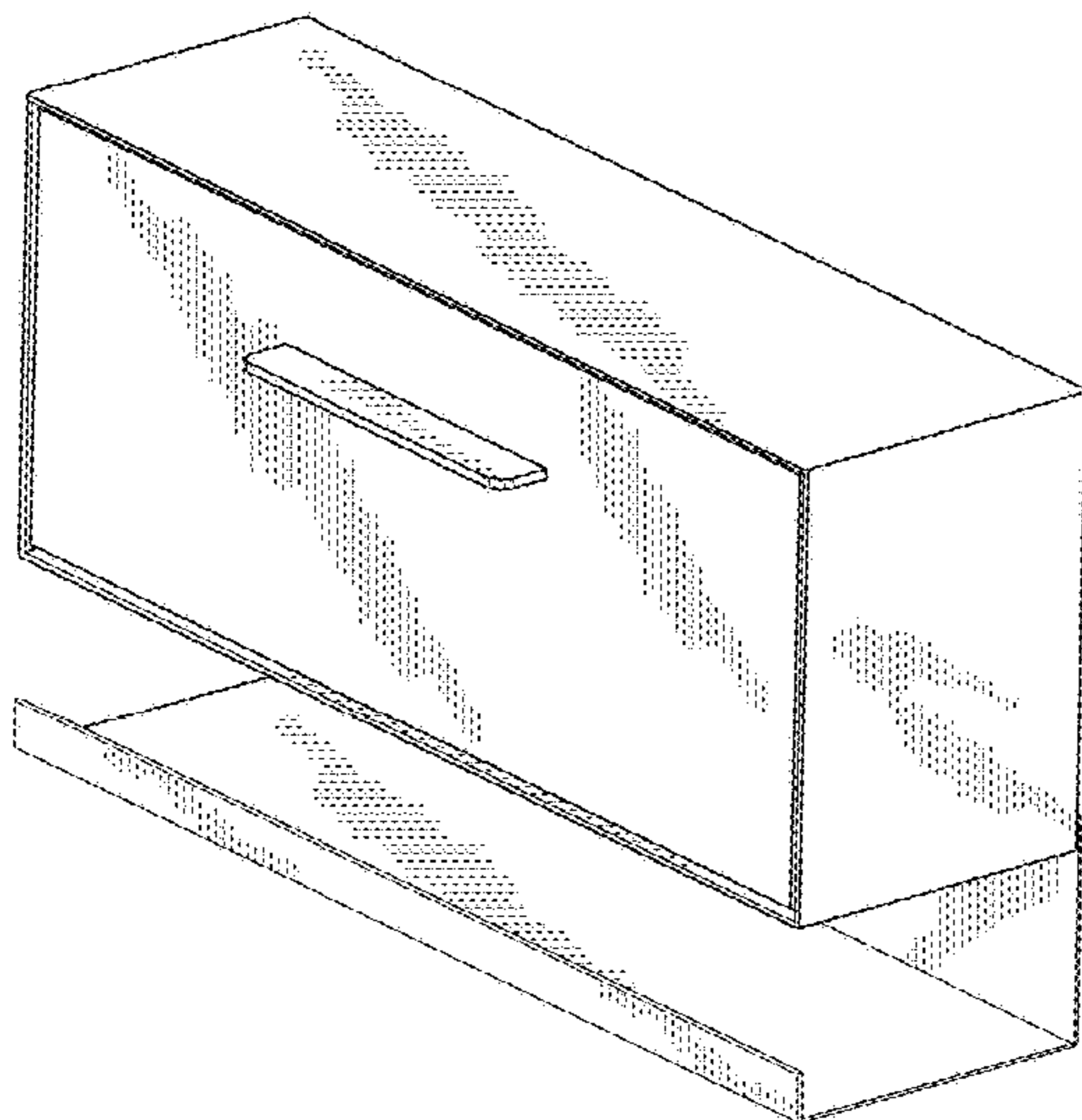
(57) **CLAIM**

The ornamental design for a wall-mounted mailbox with shelf, as shown and described.

**DESCRIPTION**

FIG. 1 is a front perspective view of a wall-mounted mailbox with shelf showing my new design;  
 FIG. 2 is a front view thereof;  
 FIG. 3 is a back view thereof;  
 FIG. 4 is a top view thereof;  
 FIG. 5 is a bottom view thereof;  
 FIG. 6 is a side view thereof, the opposite side is a mirror image; and,  
 FIG. 7 is a back perspective view thereof.  
 The broken lines shown in the drawings represent portions of the wall-mounted mailbox that form no part of the claimed design.  
 No claim is made to the interior elements of the wall-mounted mailbox visible through the opening in the back.

**1 Claim, 7 Drawing Sheets**



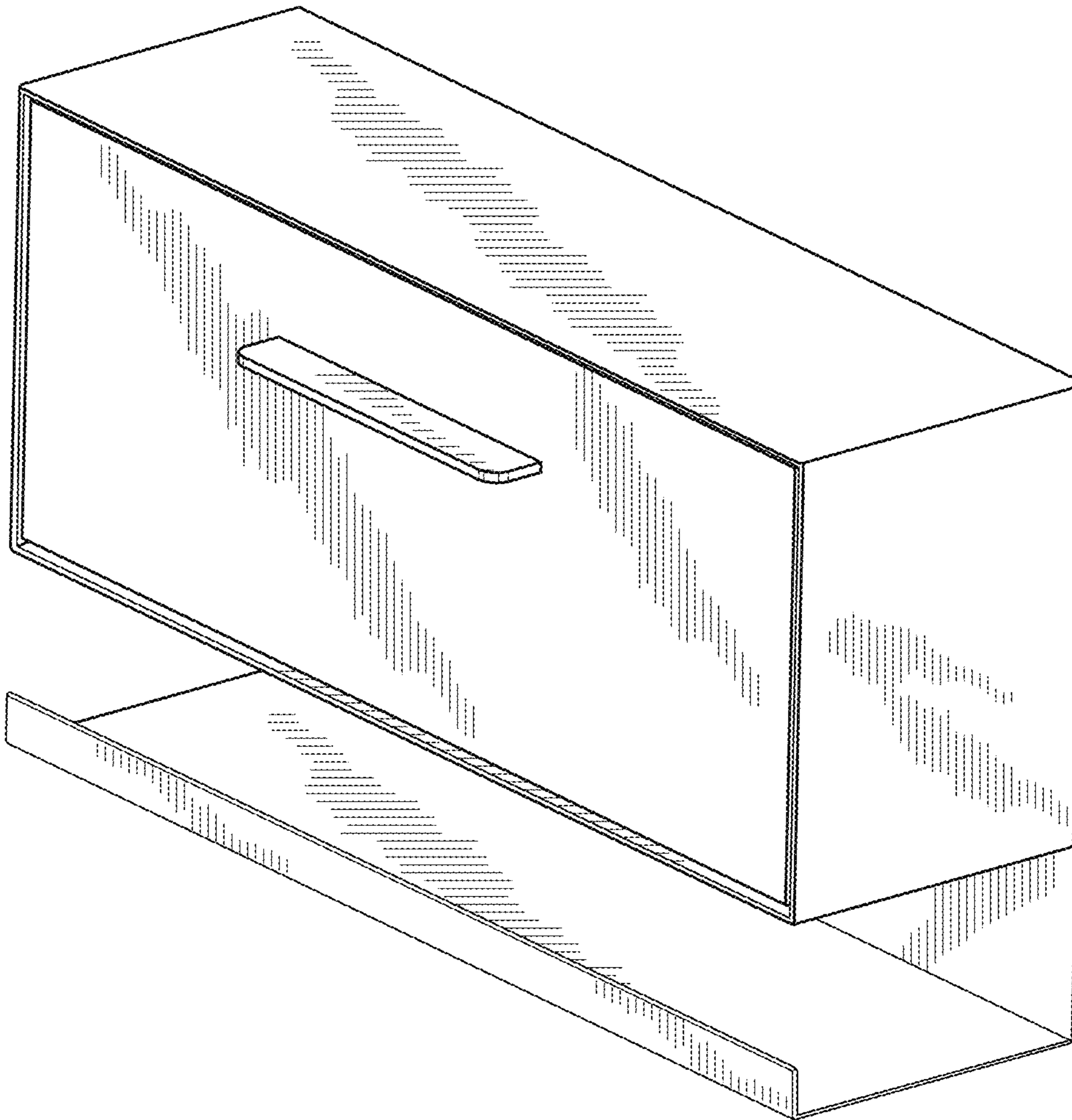
(56)

**References Cited**

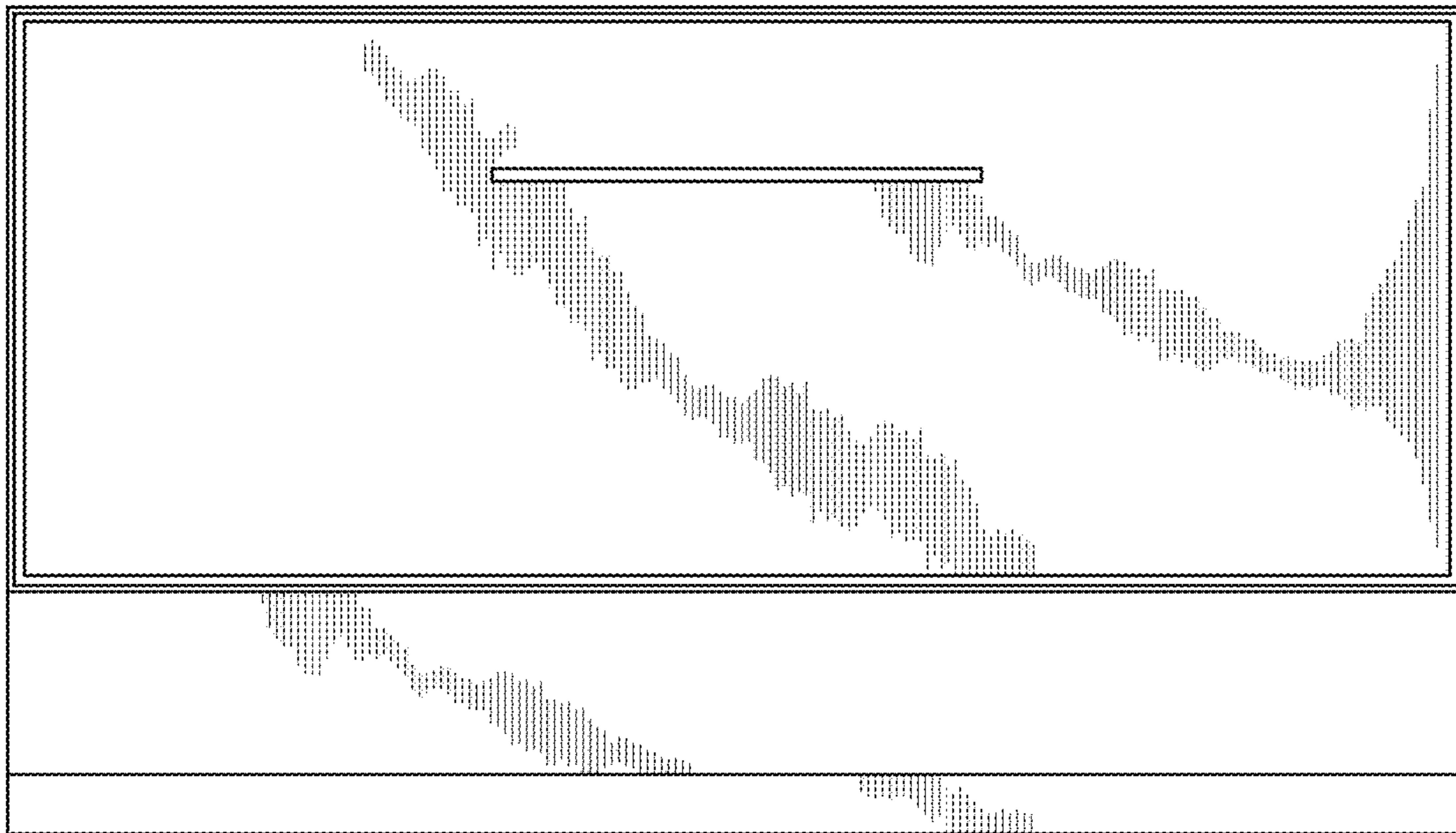
U.S. PATENT DOCUMENTS

D446,378 S *	8/2001	Fischer .....	D99/29
6,719,195 B2 *	4/2004	Farentinos .....	A47G 29/22
			232/45
D678,654 S *	3/2013	Farentinos .....	D99/33
D678,655 S *	3/2013	Farentinos .....	D99/33
D681,305 S *	4/2013	Farentinos .....	D99/33
D772,600 S *	11/2016	Bean .....	D6/522

\* cited by examiner



**FIG. 1**



**FIG. 2**

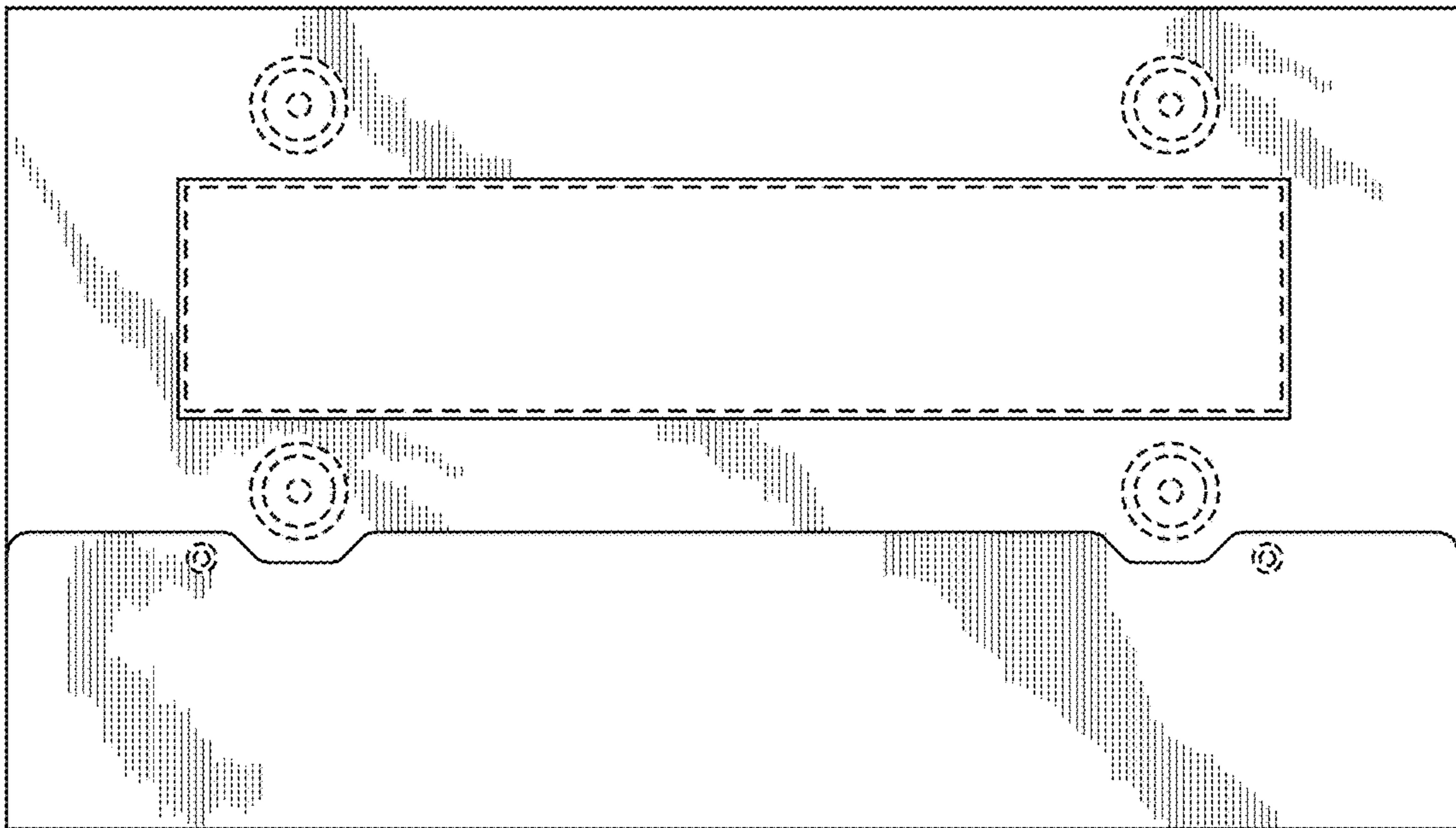
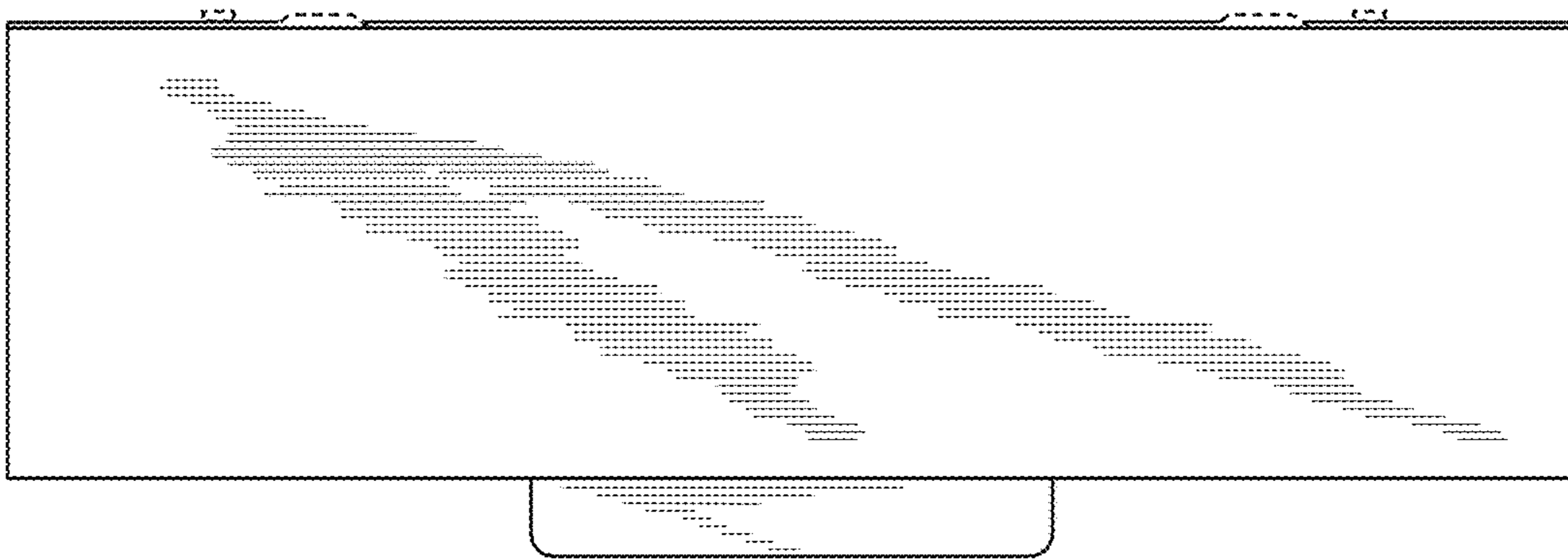
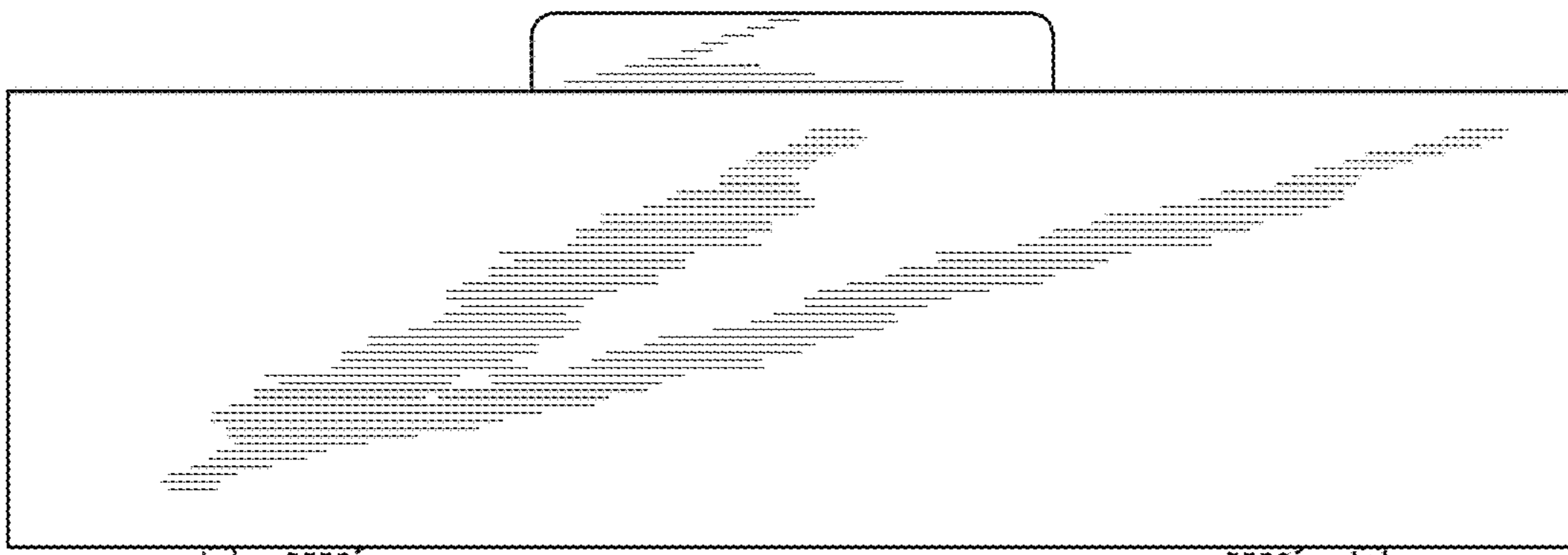


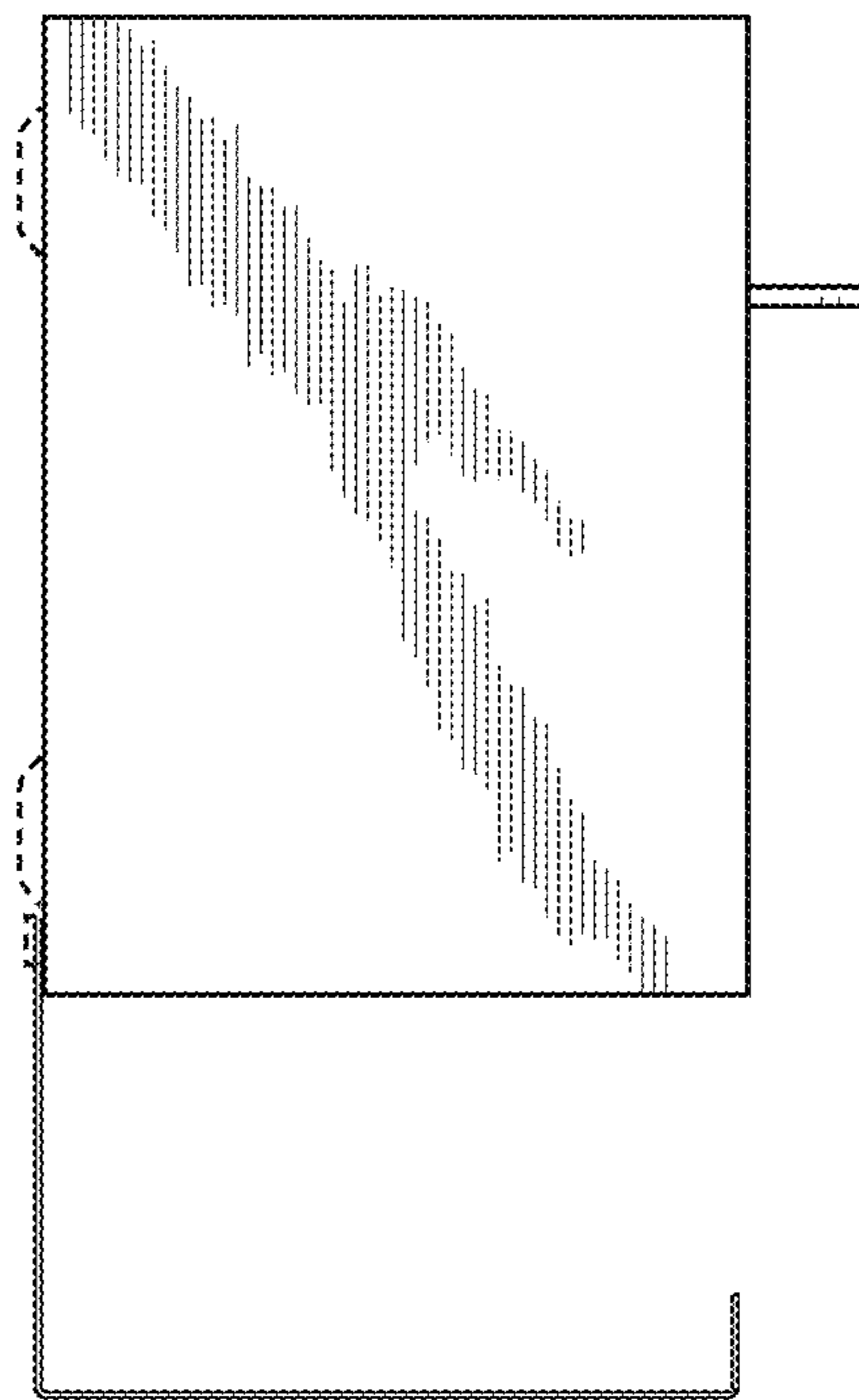
FIG. 3



**FIG. 4**



**FIG. 5**



**FIG. 6**



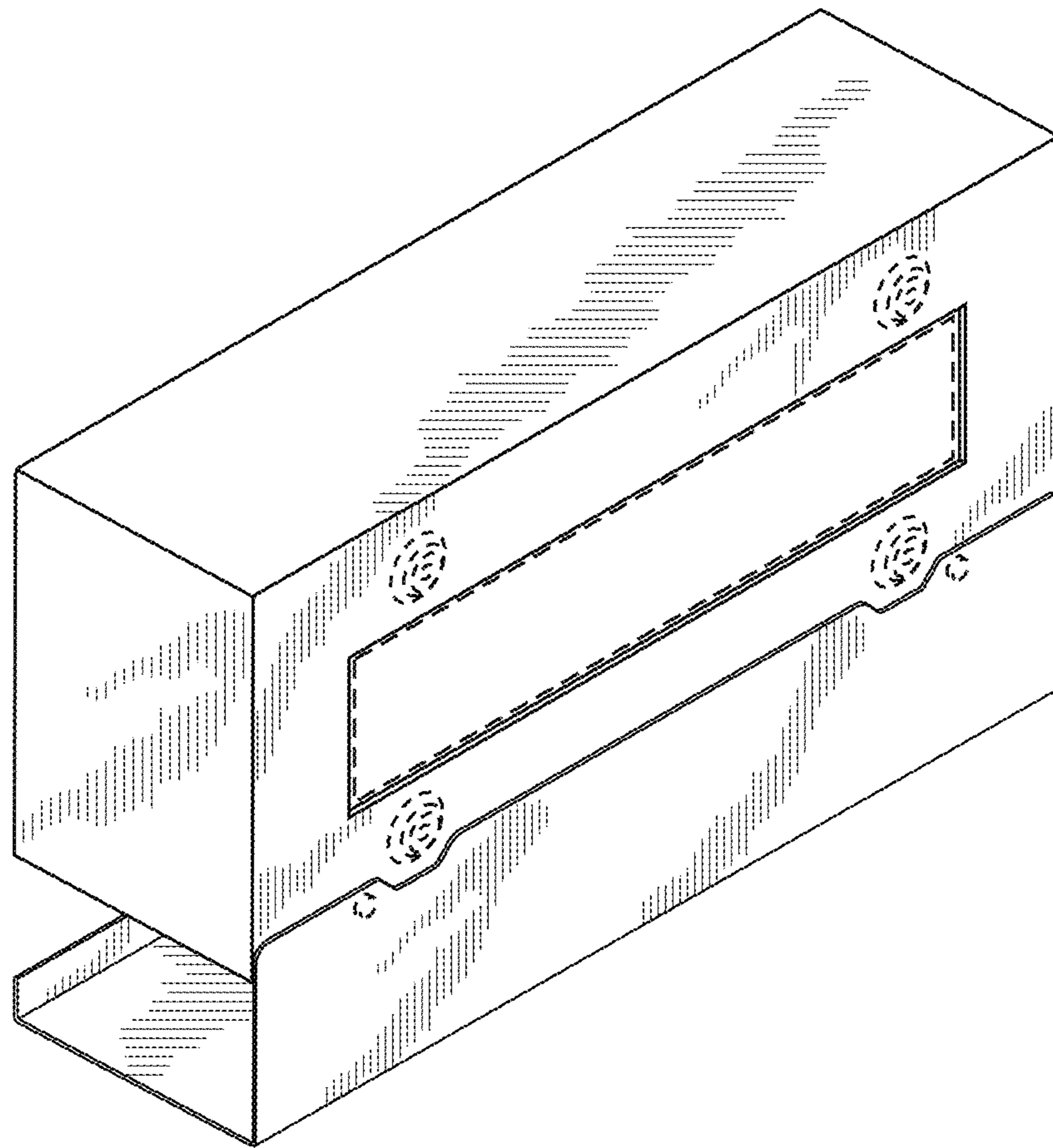


FIG. 7