



US00D805718S

(12) **United States Design Patent** (10) **Patent No.:** **US D805,718 S**
Kelly (45) **Date of Patent:** **** Dec. 19, 2017**

(54) **WALL-MOUNTED MAILBOX**
(71) Applicant: **John G. Kelly**, Raleigh, NC (US)
(72) Inventor: **John G. Kelly**, Raleigh, NC (US)
(**) Term: **15 Years**
(21) Appl. No.: **29/563,232**
(22) Filed: **May 3, 2016**
(51) **LOC (10) Cl.** **99-00**
(52) **U.S. Cl.**
USPC **D99/33**
(58) **Field of Classification Search**
USPC D99/28, 29, 31, 33, 43, 99; D3/201, 303,
D3/304; D6/553, 567, 512, 573;
D19/65, 75, 86, 90, 99, 100
CPC A47G 29/00; A47G 29/08; A47G 29/12;
A47G 29/1201; A47G 29/1203; A47G
29/1207; A47G 29/1209; A47G 29/1218;
A47G 29/16; E05G 1/00; E05G 1/005
See application file for complete search history.

(56) **References Cited**
U.S. PATENT DOCUMENTS
D25,400 S * 4/1896 Hadley D99/33
910,355 A * 1/1909 Cannady A47G 29/121
232/35
D140,425 S * 2/1945 Johnson 217/5
D166,748 S * 5/1952 Gosweiler D99/33
D172,291 S * 5/1954 Levine D99/33
D176,539 S * 1/1956 Levine D99/33
D183,941 S * 11/1958 Masso D99/33
D183,942 S * 11/1958 Masso D99/33
2,860,830 A * 11/1958 Mrenza A47G 29/12
232/17
D187,443 S * 3/1960 Martell D99/33
D189,169 S * 11/1960 Blumenthal D99/33
D217,039 S * 3/1970 Corkery D99/33
D219,487 S * 12/1970 Blumberg D99/33

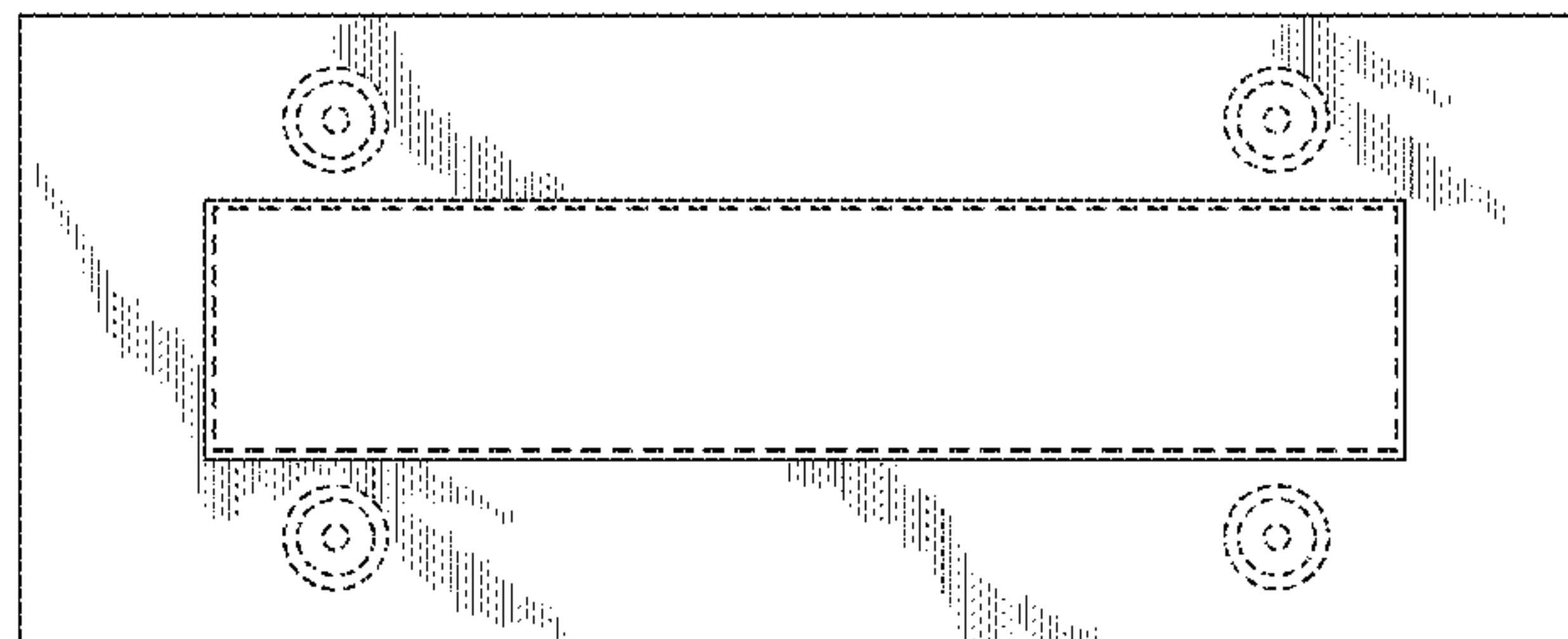
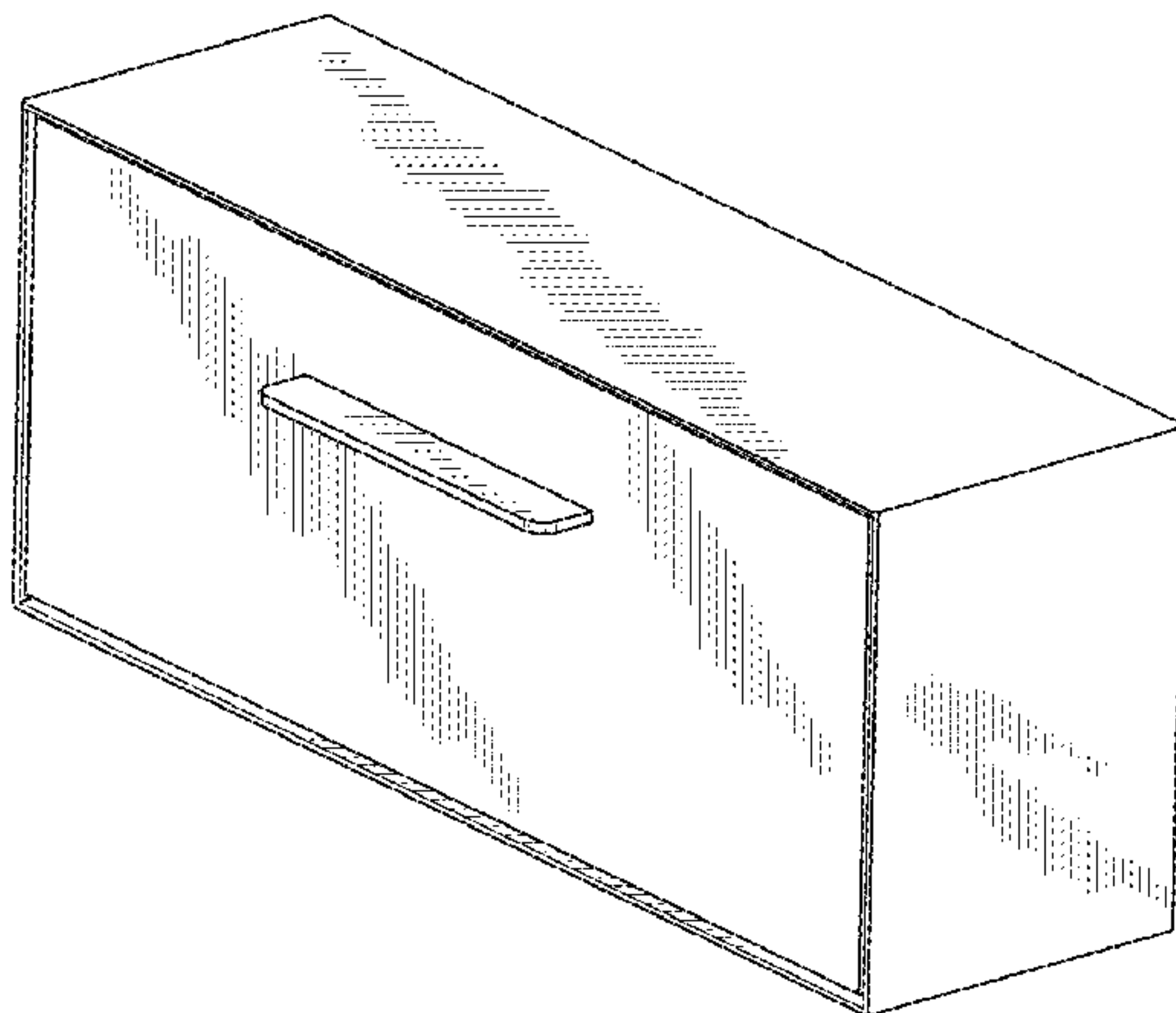
D230,648 S * 3/1974 Fibus D99/33
3,801,002 A * 4/1974 Best A47G 29/1209
232/17
D231,636 S * 5/1974 Fibus D99/33
3,813,029 A * 5/1974 Ostrom A47G 29/121
232/17
3,935,994 A * 2/1976 Darvishian A47G 29/1225
232/17
D248,677 S * 7/1978 Masso D99/29
D254,635 S * 4/1980 Earle D99/33
D315,045 S * 2/1991 Vanaman D99/30
D337,415 S * 7/1993 McDowell D99/28
D396,063 S * 7/1998 Elmer D19/75
5,845,843 A * 12/1998 Kuller A47G 29/12
232/17
D442,760 S * 5/2001 Cavero D99/33
(Continued)

Primary Examiner — Elizabeth J Oswecki
(74) *Attorney, Agent, or Firm* — Coats & Bennett, PLLC

(57) **CLAIM**
The ornamental design for a wall-mounted mailbox, as shown and described.

DESCRIPTION
FIG. 1 is a front perspective view of a wall-mounted mailbox showing my new design; FIG. 2 is a front view thereof; FIG. 3 is a back view thereof; FIG. 4 is a top view thereof; FIG. 5 is a bottom view thereof; FIG. 6 is a side view thereof, the opposite side view is a mirror image; and, FIG. 7 is a back perspective view thereof. The broken lines shown in the drawings represent portions of the wall-mounted mailbox that form no part of the claimed design. No claim is made to the interior elements of the wall-mounted mailbox visible through the opening in the back.

1 Claim, 7 Drawing Sheets



(56)

References Cited

U.S. PATENT DOCUMENTS

D446,378 S *	8/2001	Fischer	D99/29
6,719,195 B2 *	4/2004	Farentinos	A47G 29/22
			232/45
D678,654 S *	3/2013	Farentinos	D99/33
D678,655 S *	3/2013	Farentinos	D99/33
D681,305 S *	4/2013	Farentinos	D99/33
D772,600 S *	11/2016	Bean	D6/522

* cited by examiner

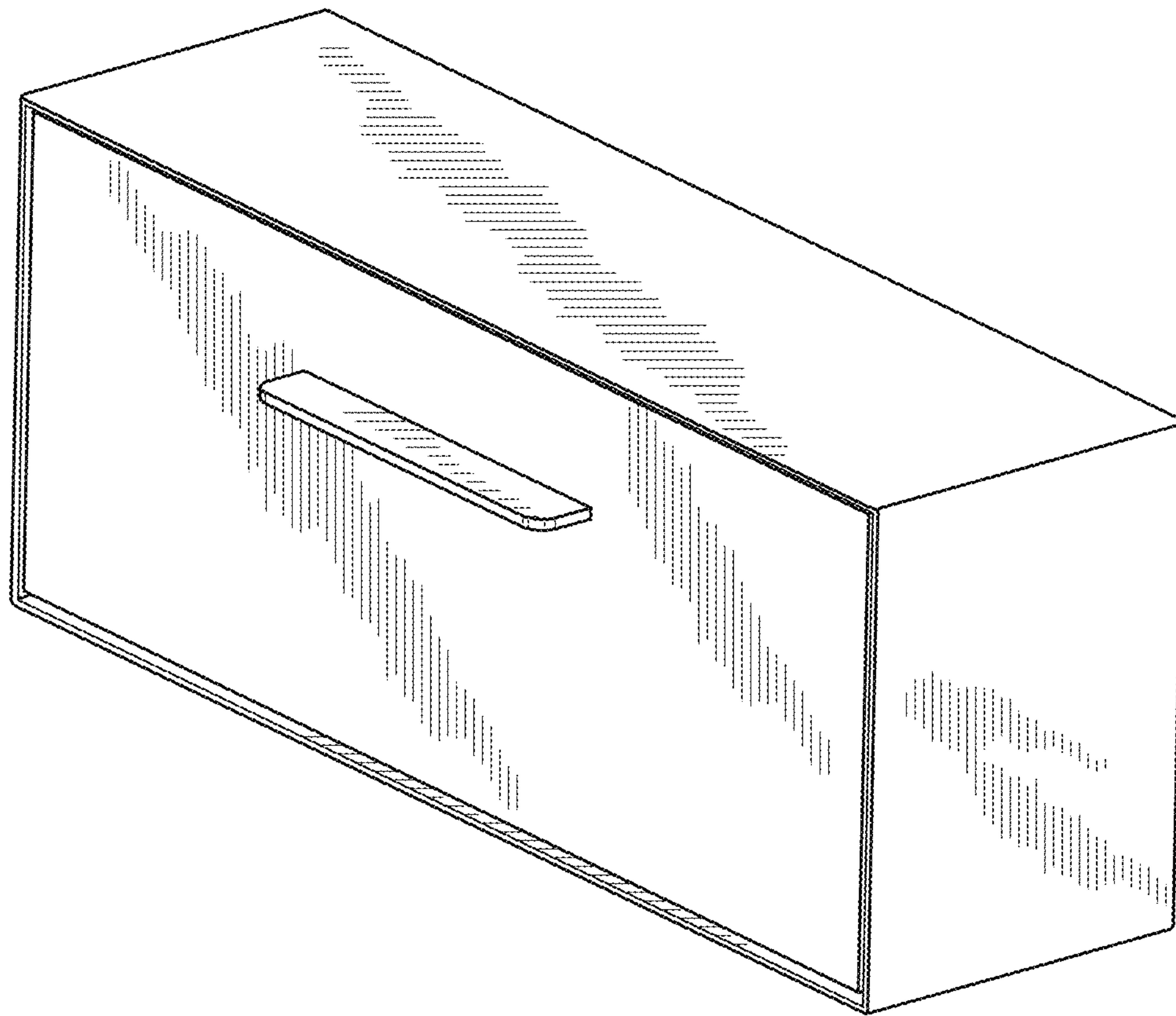


FIG. 1

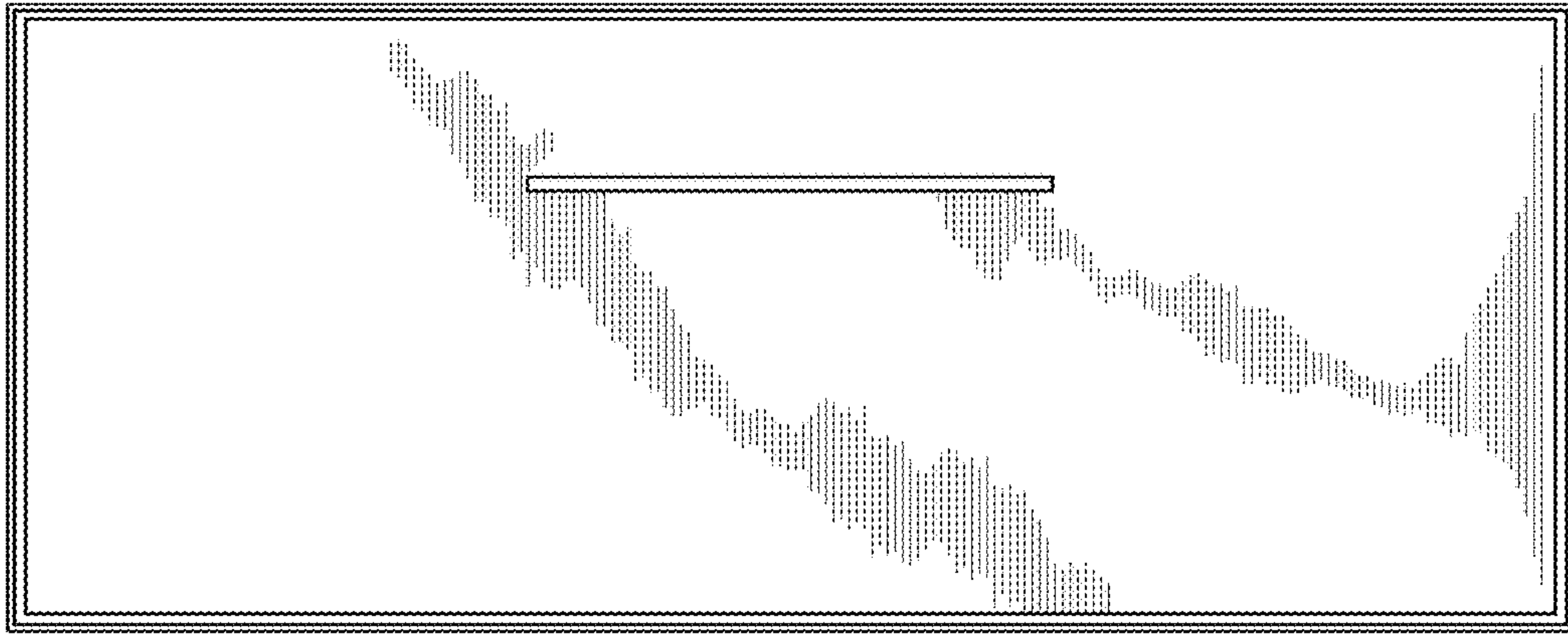


FIG. 2

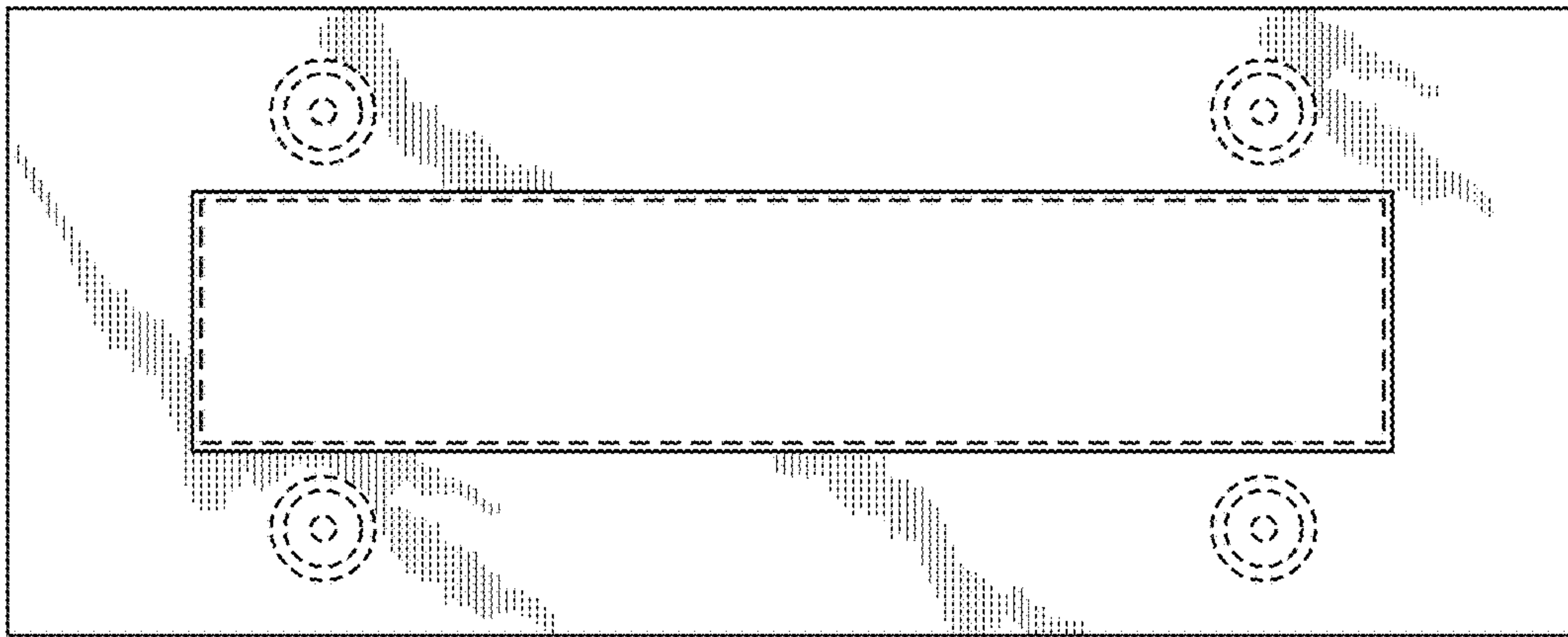


FIG. 3

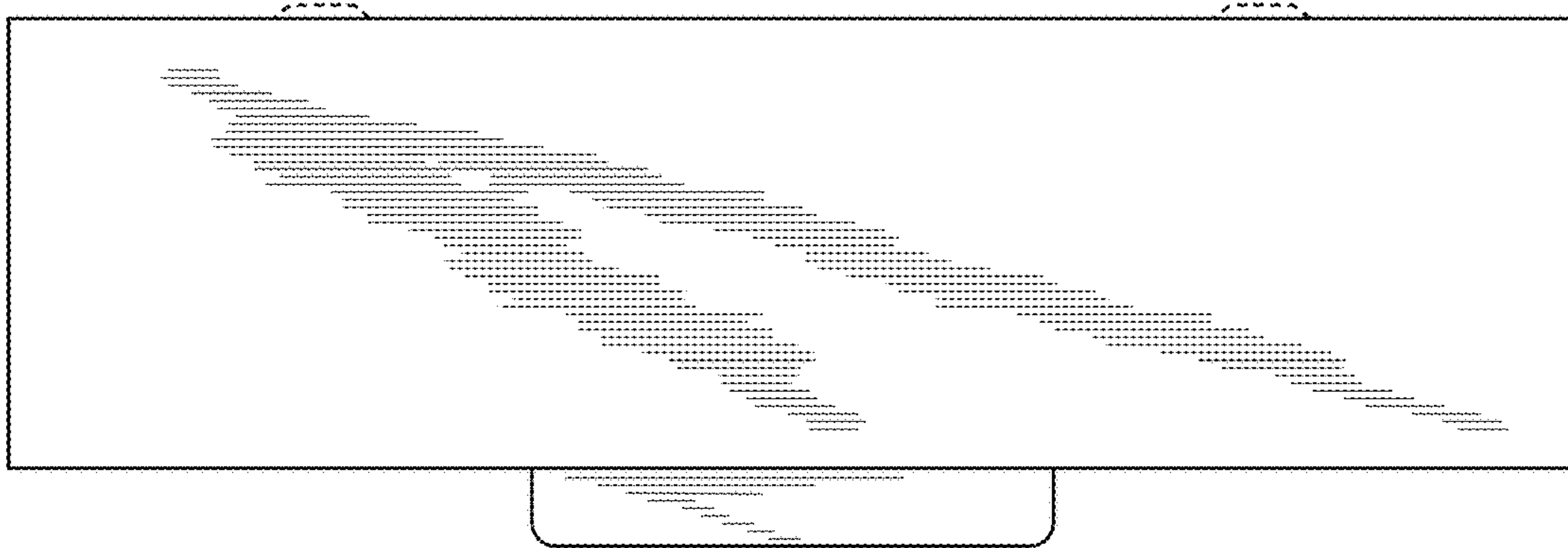


FIG. 4

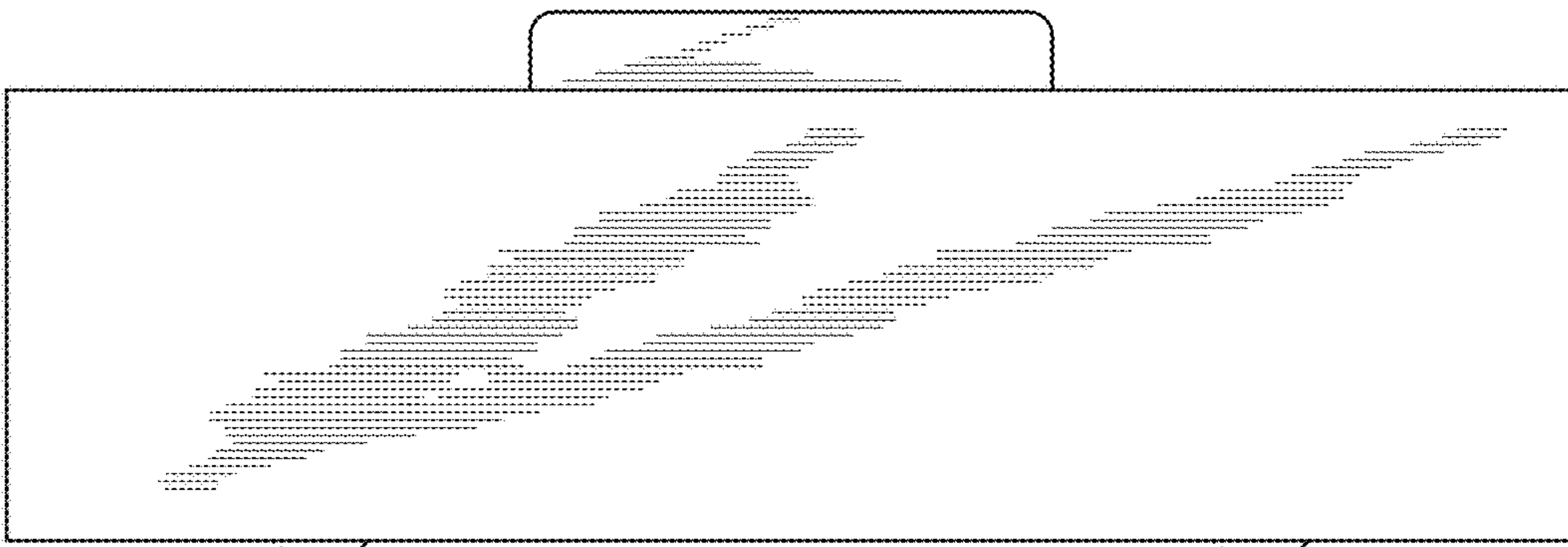


FIG. 5

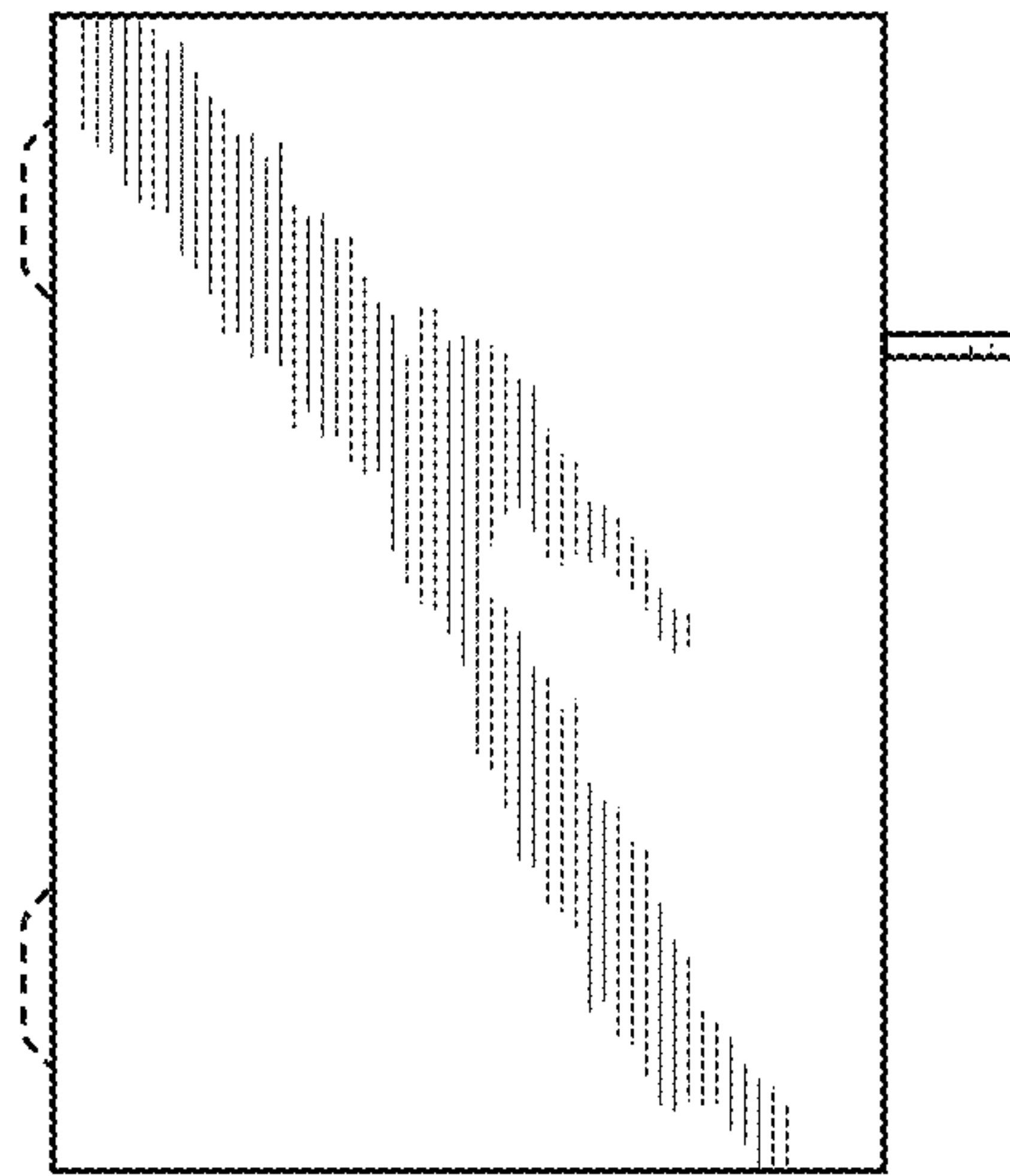


FIG. 6

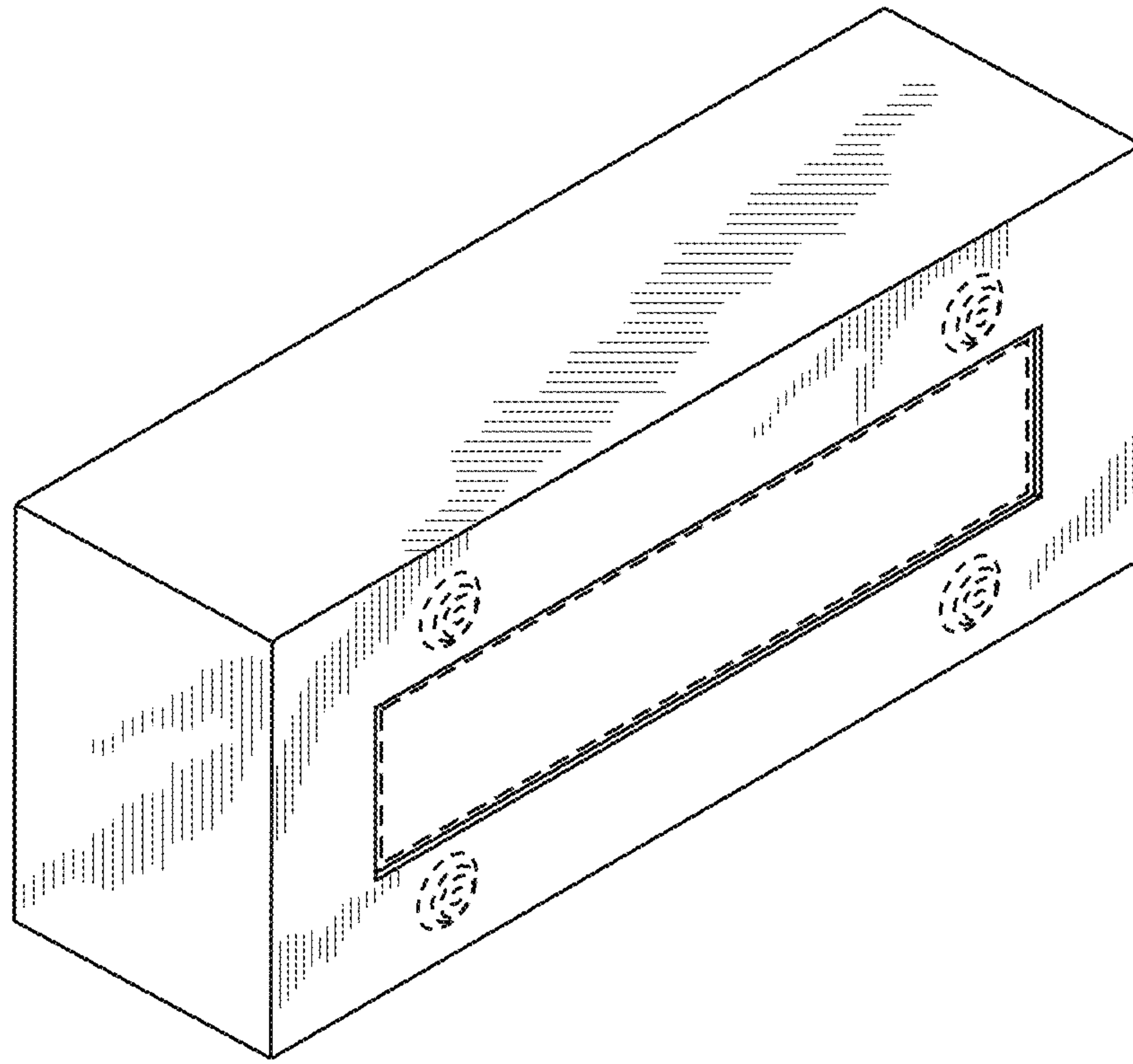


FIG. 7