



US00D805717S

(12) **United States Design Patent**
Redzinski

(10) **Patent No.:** **US D805,717 S**

(45) **Date of Patent:** **** Dec. 19, 2017**

- (54) **GRAVE CROSS**
- (71) Applicant: **Keith Andrew Redzinski**, Bridgewater, NJ (US)
- (72) Inventor: **Keith Andrew Redzinski**, Bridgewater, NJ (US)
- (73) Assignee: **Keith Andrew Redzinski**, Bridgewater, NJ (US)
- (**) Term: **15 Years**
- (21) Appl. No.: **29/585,053**
- (22) Filed: **Nov. 19, 2016**
- (51) **LOC (10) Cl.** **99-00**
- (52) **U.S. Cl.**
USPC **D99/17; D99/23**
- (58) **Field of Classification Search**
USPC D99/17, 23, 18, 25, 27, 37; D11/96, 122, D11/125, 44, 57, 121, 136, 182, 181, 132, D11/133, 139, 143, 144, 146, 151, 166, D11/175; D25/48.8, 53, 152, 153; D6/674, 675.2; 40/125.5, 493, 518; 52/665, 663; 27/1, 3; D20/13; 434/246; 428/3, 542.2; 108/150
CPC A61G 17/00; G09F 19/00
See application file for complete search history.

- 2,650,445 A * 9/1953 Horace A44C 25/005 428/3
- D186,946 S * 12/1959 Schuessler D11/81
- D189,687 S * 1/1961 McAllister D11/81
- D216,371 S * 12/1969 Winchell D11/81
- D237,723 S * 11/1975 Sweet D11/81
- D257,069 S * 9/1980 Wozniski D11/104
- 4,519,162 A * 5/1985 Stuckey A01G 9/12 47/47
- D334,725 S * 4/1993 White D11/81
- D365,308 S * 12/1995 White D11/181
- D365,781 S * 1/1996 Osborn D11/96
- D379,330 S * 5/1997 Krizan D11/96
- D386,880 S * 11/1997 Vaske D6/300
- D443,970 S * 6/2001 Stucker D99/23
- D455,672 S * 4/2002 Knezevich D11/96
- D477,448 S * 7/2003 Cuccaro D6/556
- D622,411 S * 8/2010 Webber D25/48.8
- D653,988 S * 2/2012 Hayden D11/96
- D666,120 S * 8/2012 Austin D11/120
- D679,624 S * 4/2013 Robbins D11/96

* cited by examiner

Primary Examiner — Paula Allen Greene

(57) **CLAIM**

The ornamental design for a grave cross, as shown and described.

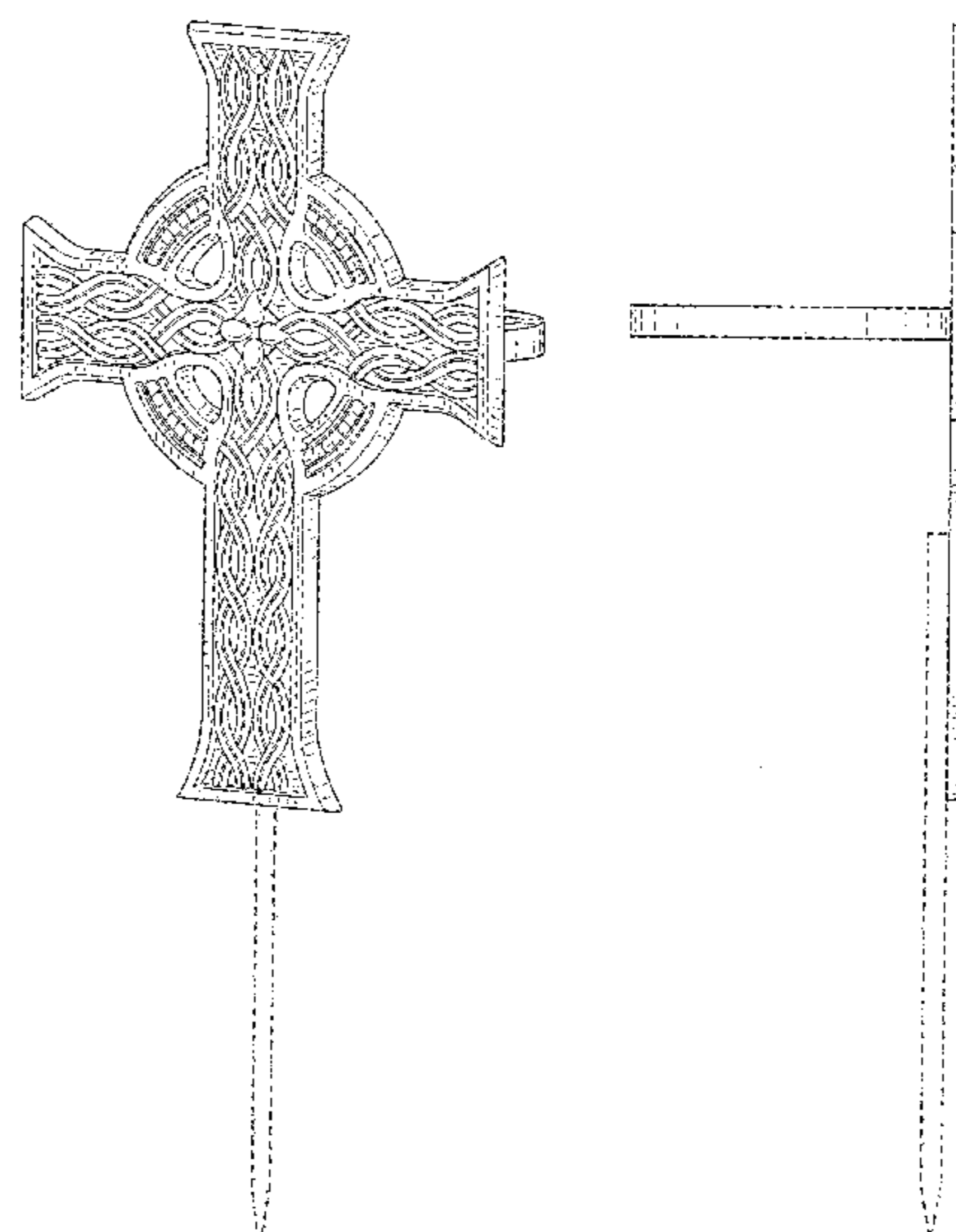
DESCRIPTION

FIG. 1. is a perspective view of the design of a grave cross.
 FIG. 2. is a front elevational view thereof;
 FIG. 3. is a rear elevational view thereof;
 FIG. 4. is a left side elevational view thereof; a right side elevational view is a mirror reflection thereof;
 FIG. 5. is a top plan view thereof; and,
 FIG. 6. is a bottom plan view thereof.
 A broken line is used in drawings for illustrative purposes only to show the environment in which the design is used, and forms no part of the claimed design.

1 Claim, 5 Drawing Sheets

(56) **References Cited**
 U.S. PATENT DOCUMENTS

- D47,888 S * 9/1915 Logan D99/18
- D67,289 S * 5/1925 Ladewich D99/23
- D74,049 S * 12/1927 Dolloff D20/13
- 2,246,122 A * 6/1941 Brennan B44C 1/26 206/19
- D137,421 S * 3/1944 Rasmussen D99/23
- D148,467 S * 1/1948 Goudreau D99/27
- 2,519,819 A * 8/1950 Brennan A47G 33/02 206/19



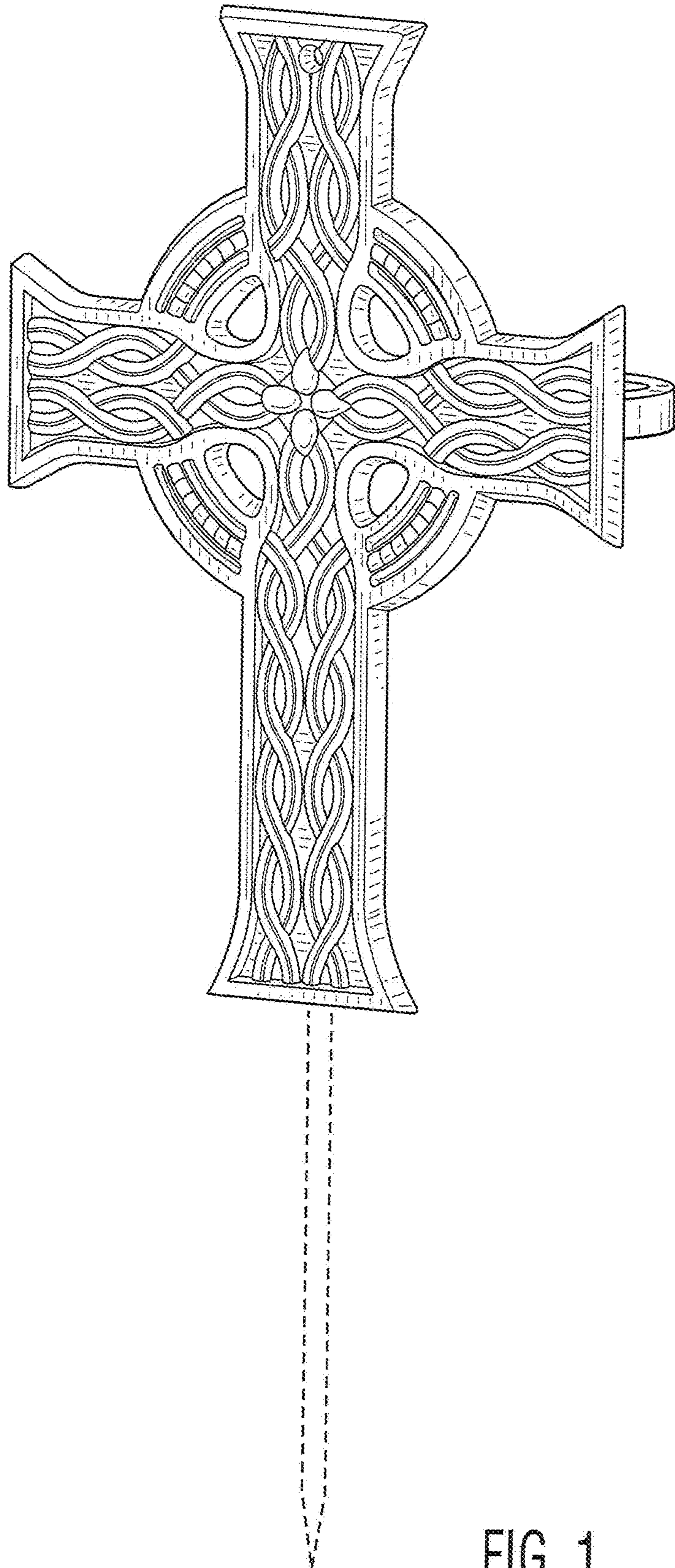


FIG. 1

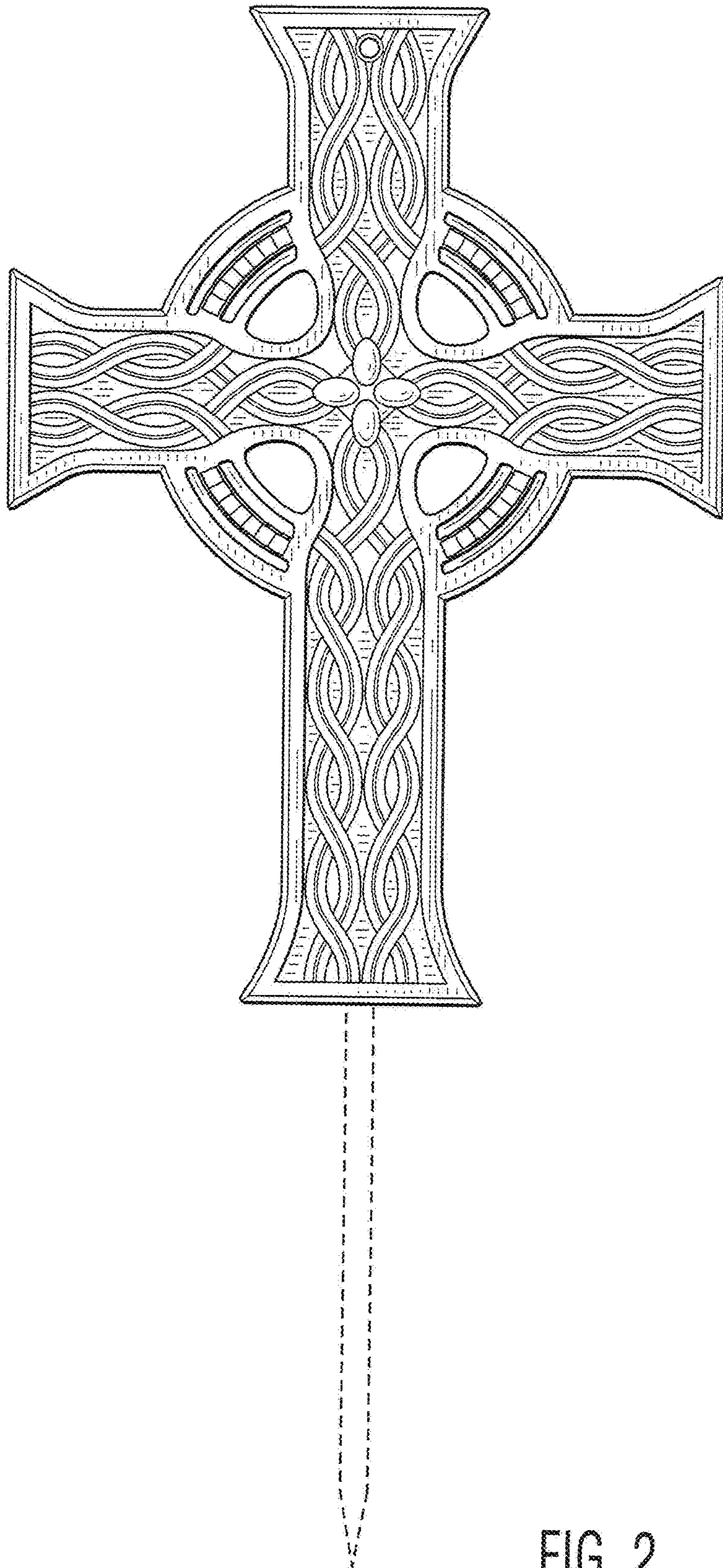


FIG. 2

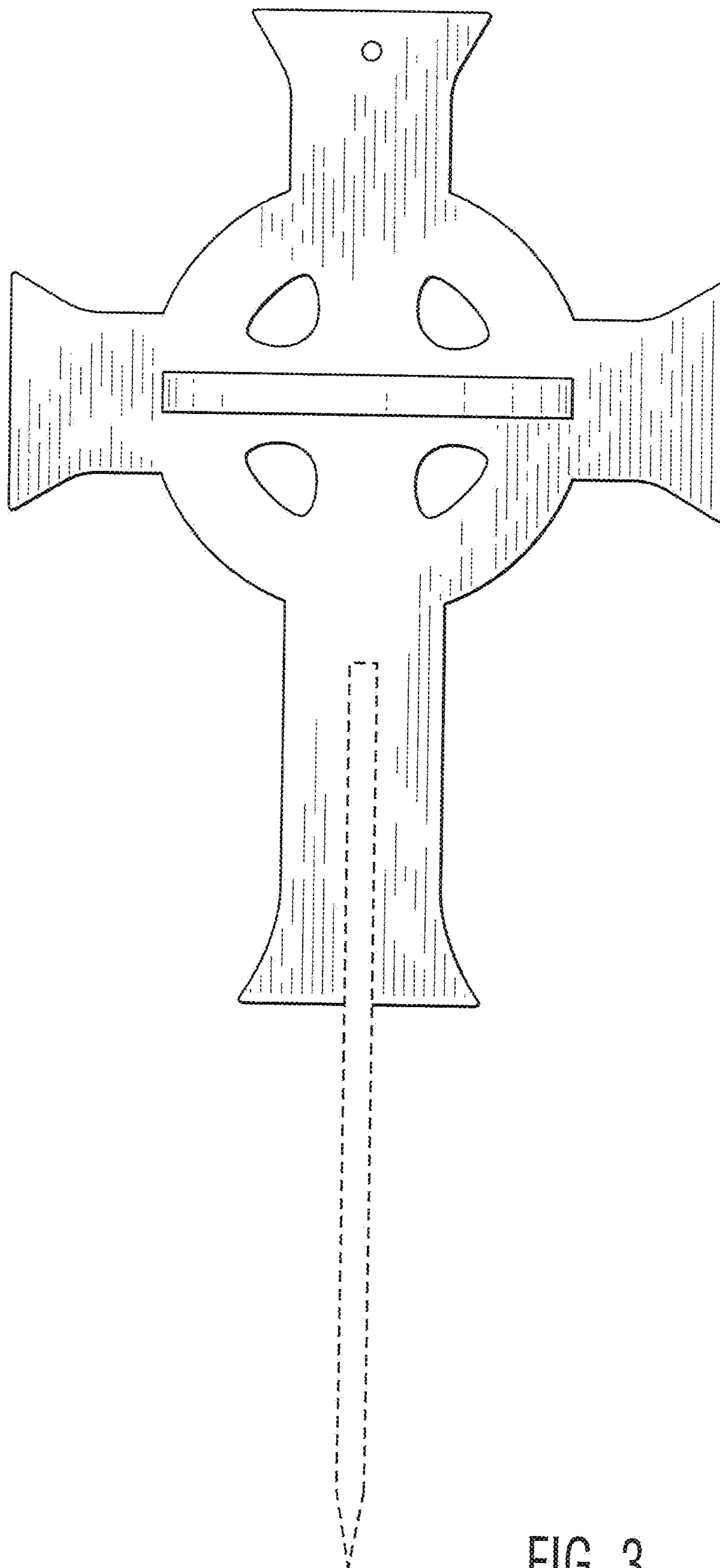


FIG. 3

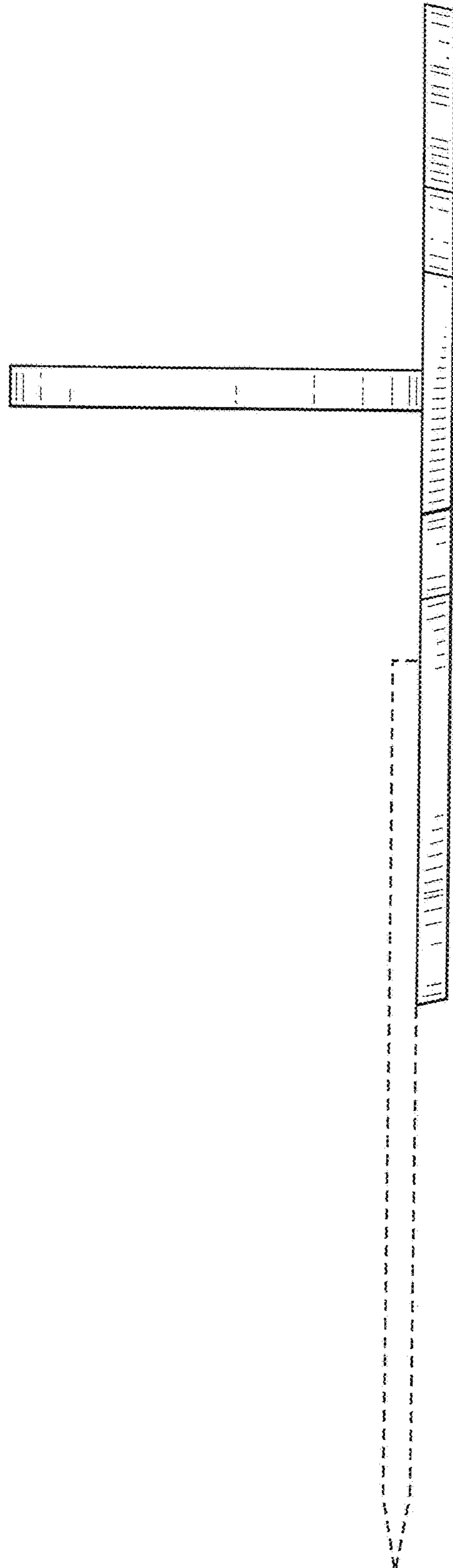


FIG. 4

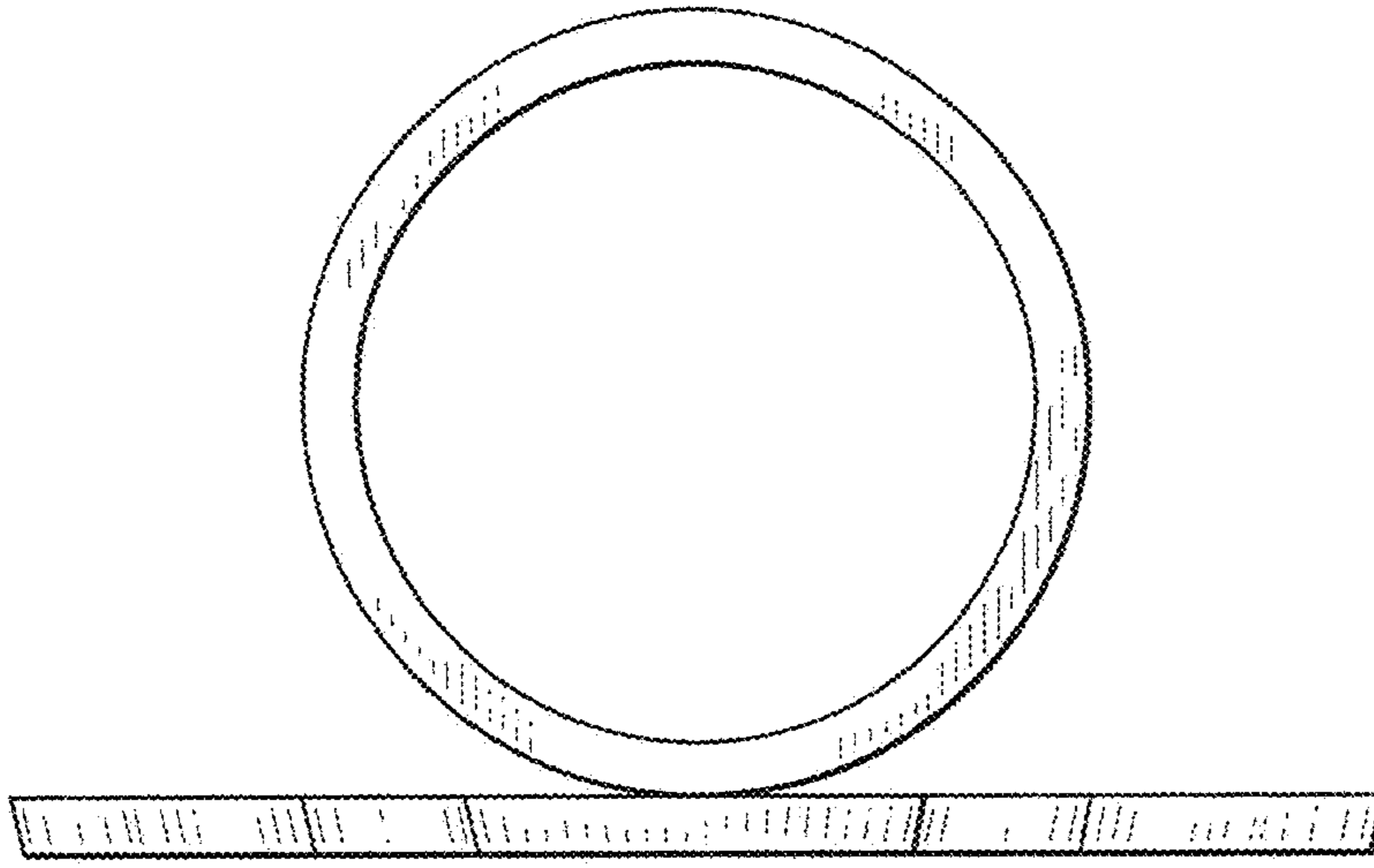


FIG. 5

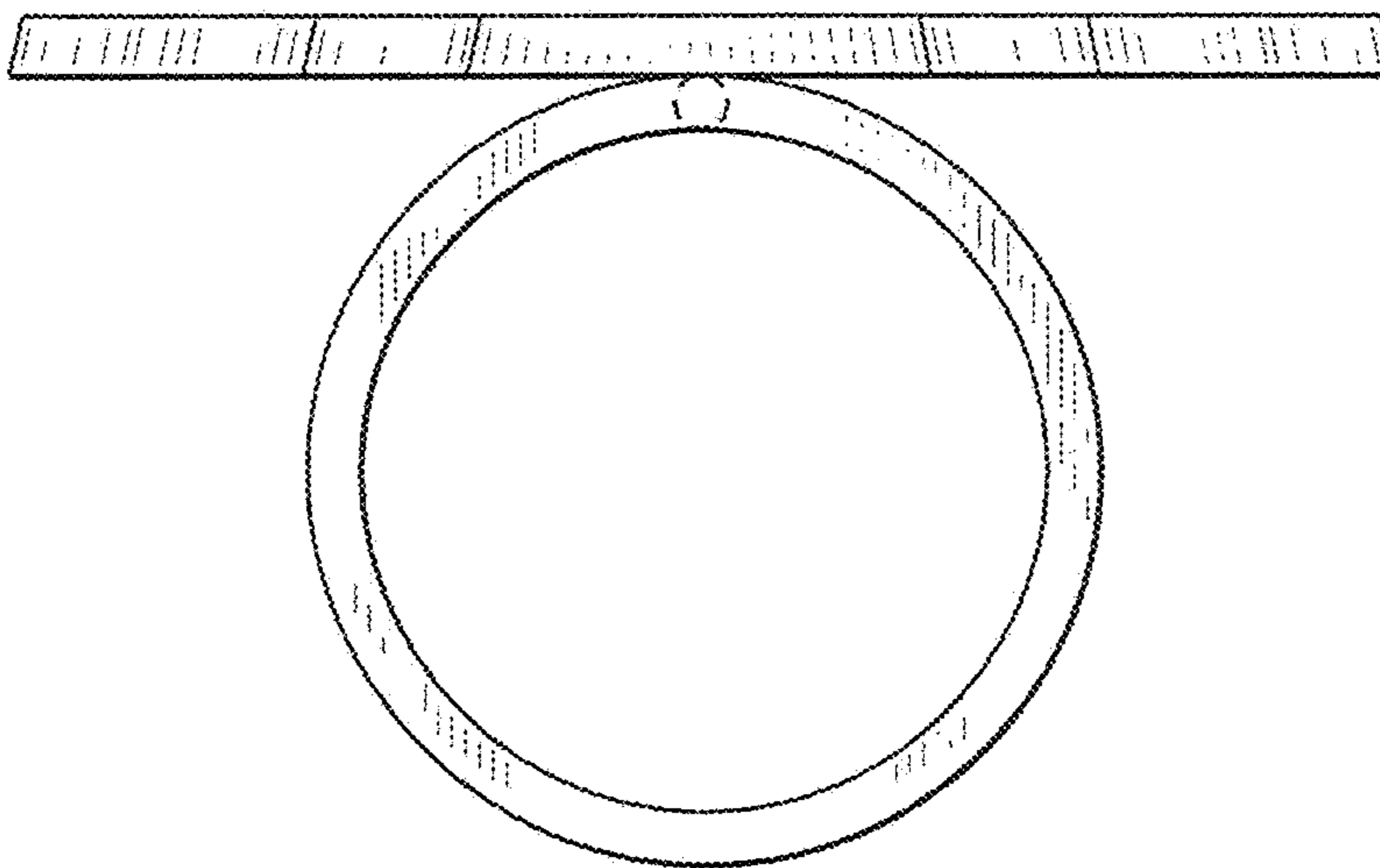


FIG. 6