



US00D805716S

(12) **United States Design Patent**  
**Capurso**

(10) **Patent No.:** **US D805,716 S**

(45) **Date of Patent:** **\*\* Dec. 19, 2017**

- (54) **GRAVE MARKER MEDALLION**
- (71) Applicant: **Robert G. Capurso**, Bergen, NY (US)
- (72) Inventor: **Robert G. Capurso**, Bergen, NY (US)
- (\*\*) Term: **15 Years**
- (21) Appl. No.: **29/583,460**
- (22) Filed: **Nov. 4, 2016**
- (51) **LOC (10) Cl.** ..... **11-03**
- (52) **U.S. Cl.**  
USPC ..... **D99/17; D99/8**
- (58) **Field of Classification Search**  
USPC ..... D99/17, 8, 21; D11/95, 96, 99, 100,  
D11/106-110, 115, 116, 132, 202, 212,  
D11/222; 40/124.5, 326, 358, 300, 308;  
428/13, 7, 67; D3/207, 208, 211;  
D26/56, 123, 124; D21/386  
CPC ..... A44C 3/00; A61G 17/00  
See application file for complete search history.

(56) **References Cited**

**U.S. PATENT DOCUMENTS**

754,269	A *	3/1904	Witt et al.	40/124.5
1,310,369	A	7/1919	Palmer	
1,455,882	A	5/1923	Harding	
1,475,652	A *	11/1923	Polizzi	G09F 23/14 40/27.5
1,946,033	A *	2/1934	Potter	E04H 13/003 40/124.5
2,023,519	A *	12/1935	Durrett	E04H 13/003 40/124.5
2,214,030	A *	9/1940	Pereles	A44B 1/04 24/113 MP
2,340,402	A *	2/1944	Mitchel	A44C 3/001 40/1.5
2,341,467	A *	2/1944	Nedell	G09F 3/12 40/1.5
D169,445	S *	4/1953	Jones	D11/107
3,766,452	A *	10/1973	Burpee	G06K 19/067 194/214

D237,677	S *	11/1975	Gulotta	D7/584
3,968,582	A *	7/1976	Jones	A44C 21/00 264/246
3,977,110	A	8/1976	Yerger	
D268,399	S *	3/1983	Wagman	D11/132
D282,917	S *	3/1986	Hackett	D11/132

(Continued)

*Primary Examiner* — Paula Allen Greene

(74) *Attorney, Agent, or Firm* — Lynee M. Blank, Esq.

(57) **CLAIM**

I claim the ornamental design for a grave marker medallion, as shown and described.

**DESCRIPTION**

Reference is made to commonly assigned, co-pending U.S. patent application Ser. No. 29/583,465 by Robert G. Capurso, entitled "Grave Marker Medallion With Design", filed on even date herewith.

FIG. 1 is a front view showing a new design for a grave marker medallion.

FIG. 2 is a back view of the grave marker medallion, which is opposite the view of FIG. 1.

FIG. 3 is an exploded view showing the grave marker medallion of FIG. 1. The attachment of the rank/office plaque is illustrated.

FIG. 4 is a first side view of the grave marker medallion of FIG. 1.

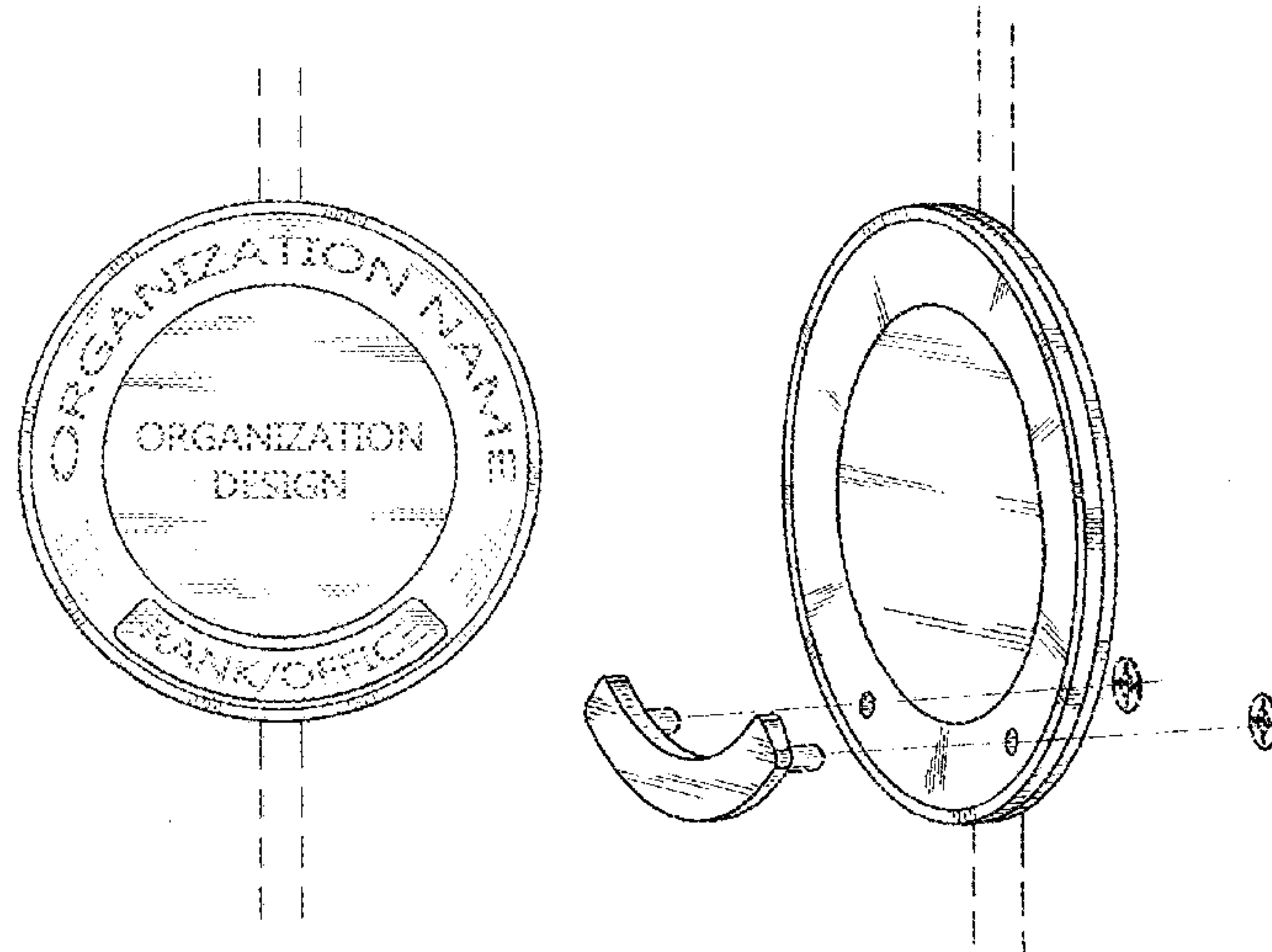
FIG. 5 is the second side view of the grave marker medallion, which is opposite the view of FIG. 4.

FIG. 6 is a top or plan view looking down of the grave marker medallion of FIG. 1; and,

FIG. 7 is a bottom view looking up of the grave marker medallion of FIG. 1.

The features shown in broken lines and portions contained within broken lines depict portions of the grave marker medallion that form no part of the claimed design, and are not claimed.

**1 Claim, 7 Drawing Sheets**



(56)

**References Cited**

U.S. PATENT DOCUMENTS

D283,410	S	*	4/1986	De Rosa	.....	D11/41
D303,997	S	*	10/1989	Grossiord	.....	D3/211
5,454,178	A		10/1995	Rivard		
D373,326	S	*	9/1996	Ilaria	.....	D11/96
D383,702	S	*	9/1997	MacDonald	.....	D11/79
D407,181	S	*	3/1999	Winburn	.....	D99/8
D411,462	S		6/1999	Heins		
D459,094	S	*	6/2002	Stone	.....	D6/309
D476,131	S		6/2003	Barnes		
D510,470	S		10/2005	Agemura		
D701,507	S	*	3/2014	Cope	.....	D14/374
D756,590	S		5/2016	Bialecki		
D759,939	S		6/2016	Gillen		
D796,584	S	*	9/2017	Okada	.....	D11/95
2015/0001286	A1	*	1/2015	Matsui	.....	G06K 5/00 235/375

\* cited by examiner



FIG. 1

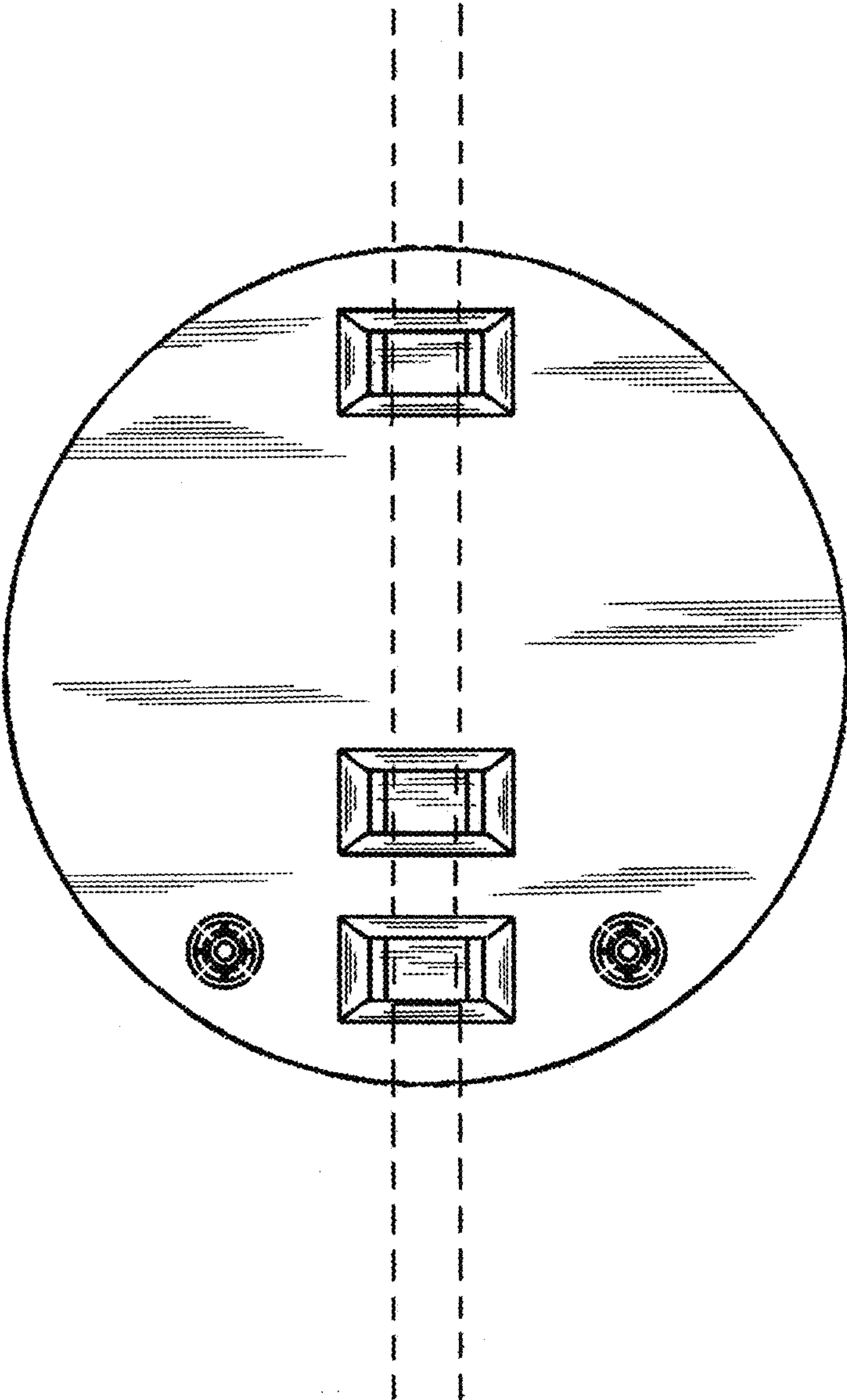


FIG. 2



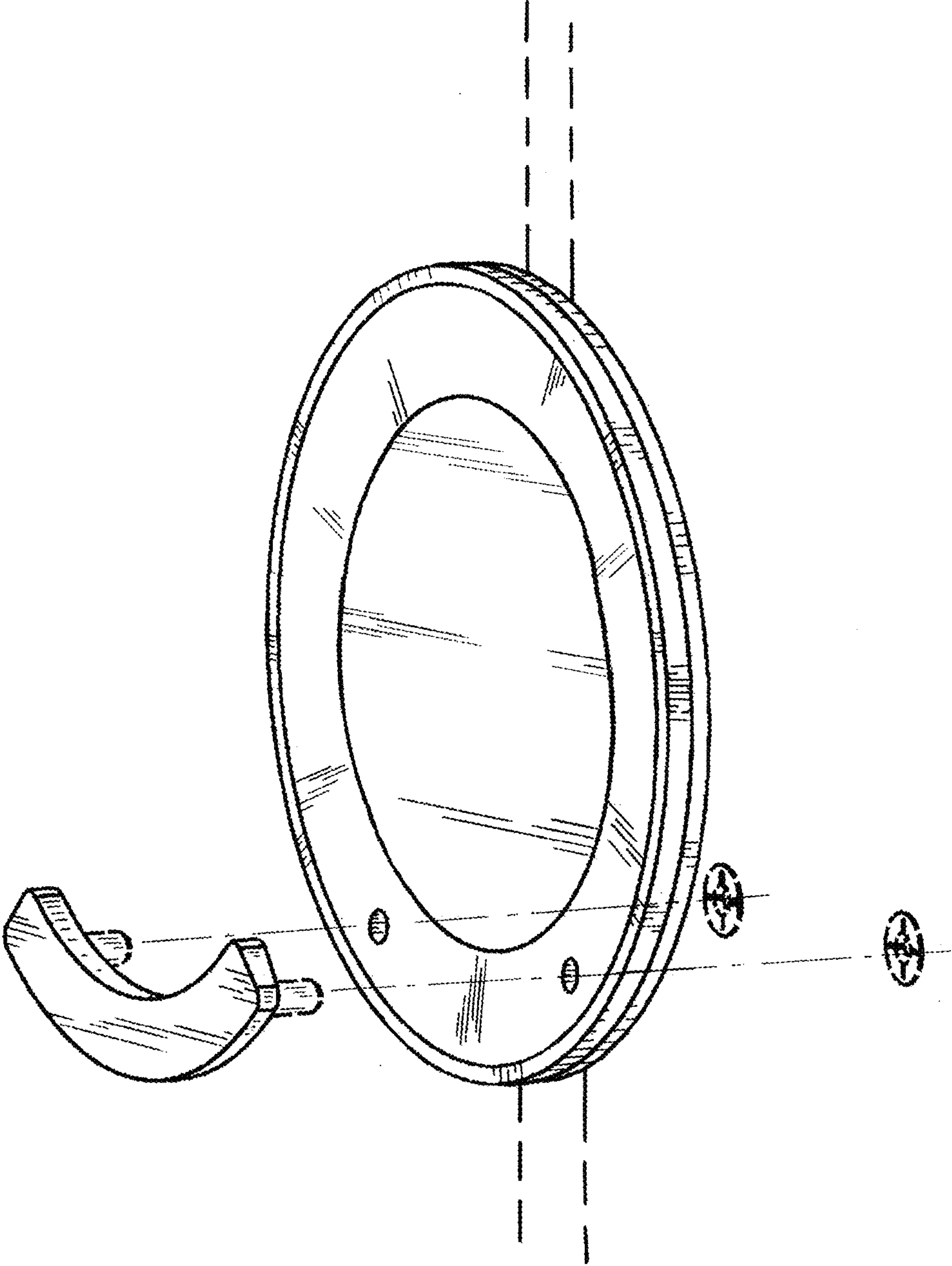


FIG. 3

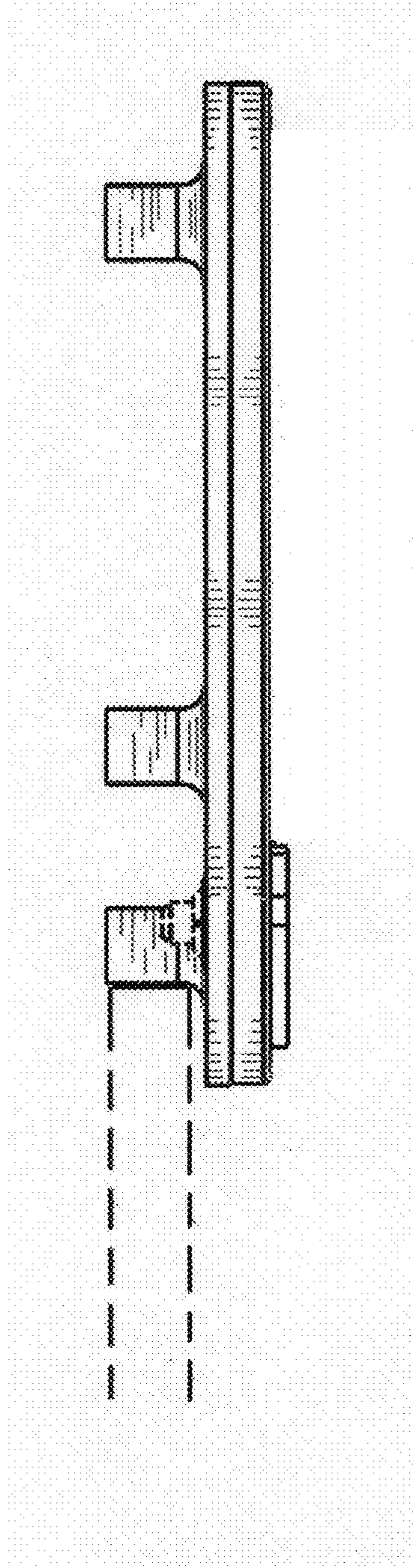


FIG. 4

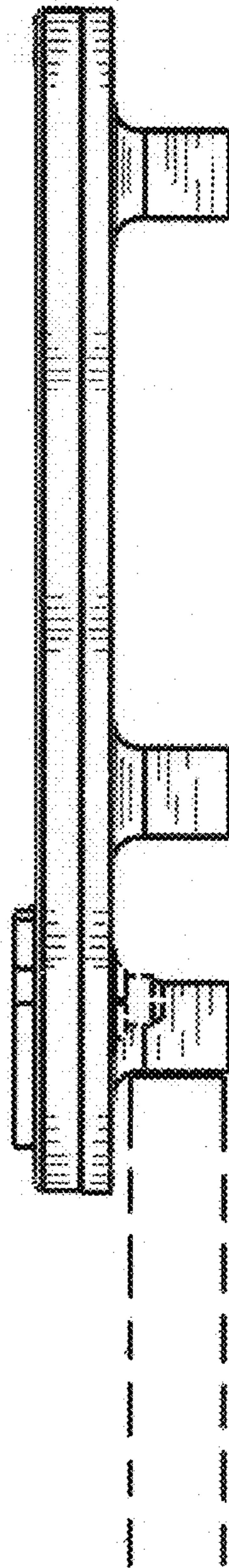


FIG. 5

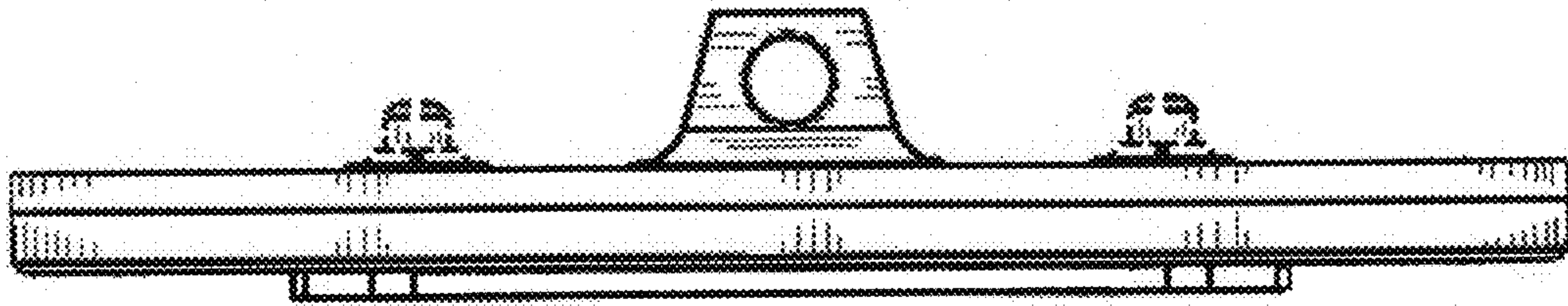


FIG. 6



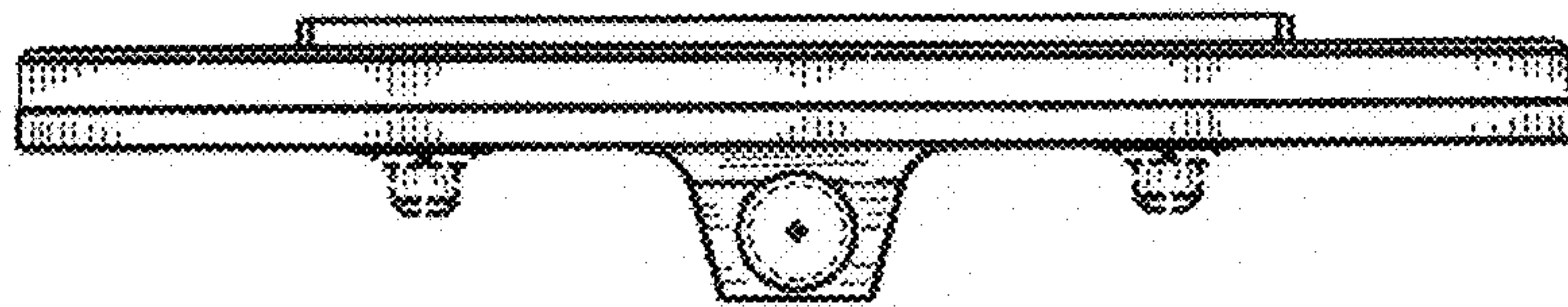


FIG. 7