



US00D805713S

(12) **United States Design Patent**  
**Qichen et al.**

(10) **Patent No.:** **US D805,713 S**

(45) **Date of Patent:** **\*\* Dec. 19, 2017**

(54) **PALLET TRUCK**

(71) Applicant: **Big Lift, LLC**, Lombard, IL (US)

(72) Inventors: **Ma Qichen**, Hangzhou (CN); **Xu Hongpeng**, Hangzhou (CN); **Liu Shunli**, Hangzhou (CN); **Lin Zuqian**, Hangzhou (CN); **Xu Minghui**, Hangzhou (CN)

(73) Assignee: **BIG LIFT, LLC**, Lombard, IL (US)

(\*\*) Term: **15 Years**

(21) Appl. No.: **29/606,634**

(22) Filed: **Jun. 6, 2017**

**Related U.S. Application Data**

(62) Division of application No. 29/565,785, filed on May 24, 2016, now Pat. No. Des. 801,616.

(51) **LOC (10) Cl.** ..... **12-05**

(52) **U.S. Cl.**  
USPC ..... **D34/34**

(58) **Field of Classification Search**  
USPC ..... 180/299, 315, 325, 89.12; 187/222, 224, 187/231, 237, 238, 414; 280/43.12, 638, 280/87.041; 414/2, 7, 572, 592, 631, 414/664, 679, 685, 668; D34/12, 16, 17, D34/21, 23, 24, 25, 28, 34, 35, 38; 254/2 R  
CPC ... B62B 3/0612; B62B 3/0618; B62B 5/0069; B62B 2203/20; B62B 5/0438; B66F 9/12; B66F 9/22; B66F 9/085; B66F 9/186  
See application file for complete search history.

(56) **References Cited**

**U.S. PATENT DOCUMENTS**

D692,204 S \* 10/2013 Feiquan ..... D34/34  
D754,415 S \* 4/2016 Liu ..... D34/34

D767,236 S \* 9/2016 Meng ..... D34/34  
D767,847 S \* 9/2016 Liu ..... D34/34  
D770,719 S \* 11/2016 He ..... D34/34  
D770,720 S \* 11/2016 He ..... D34/34

**OTHER PUBLICATIONS**

Bigjoeforklifts “E25 eJack”, [http://www.bigjoeforklifts.com/pallet\\_trucks\\_e25.html](http://www.bigjoeforklifts.com/pallet_trucks_e25.html). Sep. 11, 2017. shown in p. 1, Item # E25.\*

\* cited by examiner

*Primary Examiner* — Cynthia Ramirez

*Assistant Examiner* — Michael A Maharajh

(74) *Attorney, Agent, or Firm* — Cook Alex Ltd.

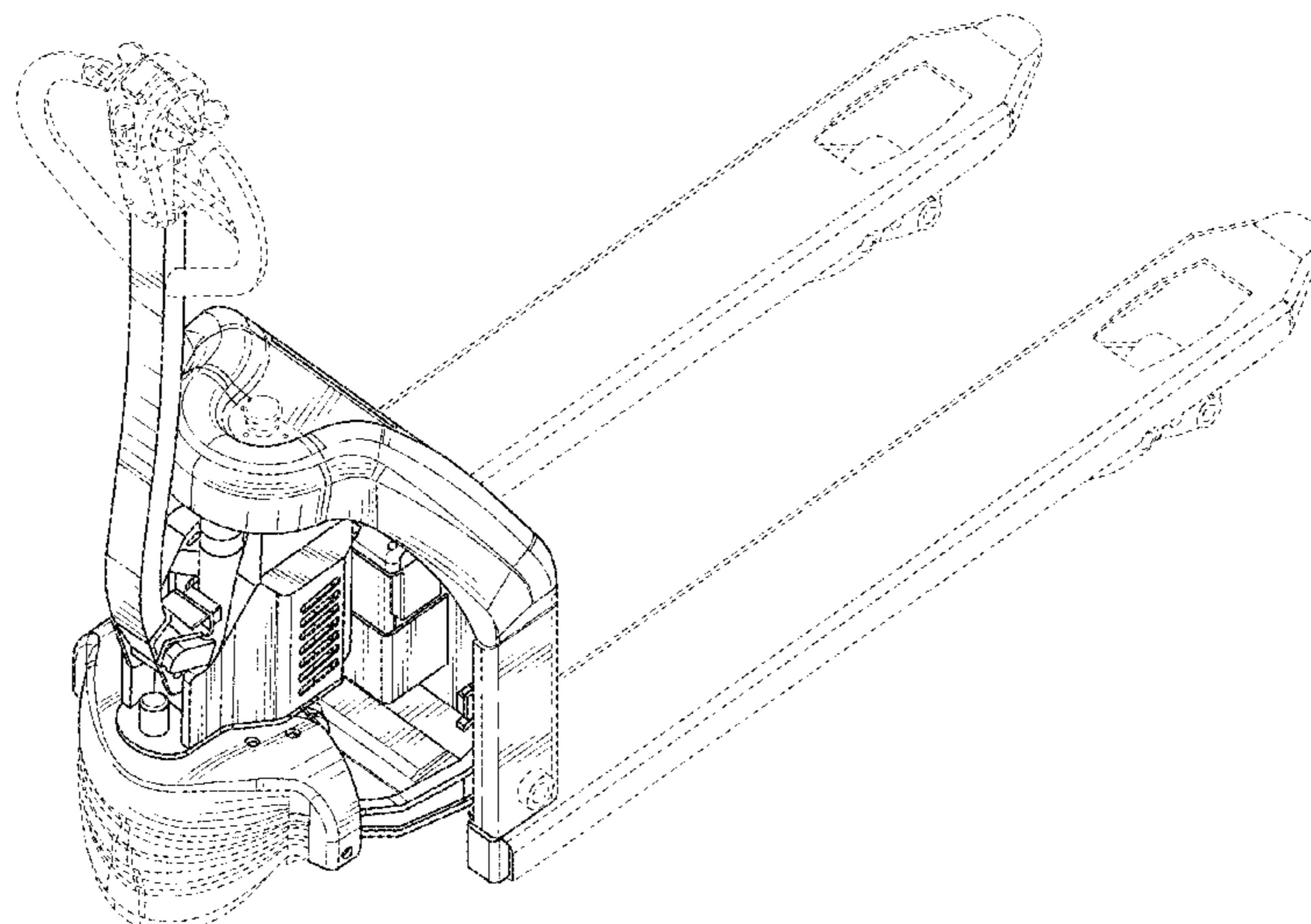
(57) **CLAIM**

We claim the ornamental design for a pallet truck, as shown and described.

**DESCRIPTION**

FIG. 1 is a rear right perspective view of a pallet truck showing our new design;  
FIG. 2 is a front right perspective view thereof;  
FIG. 3 is a front left perspective view thereof;  
FIG. 4 is a rear left perspective view thereof;  
FIG. 5 is a rear elevational view thereof;  
FIG. 6 is a right side elevational view thereof;  
FIG. 7 is a front elevational view thereof;  
FIG. 8 is a left side elevational view thereof;  
FIG. 9 is a top plan view thereof; and,  
FIG. 10 is a bottom plan view thereof.  
The broken lines in the drawings are included for the purpose of illustrating portions of the pallet truck and form no part of the claimed design.

**1 Claim, 10 Drawing Sheets**



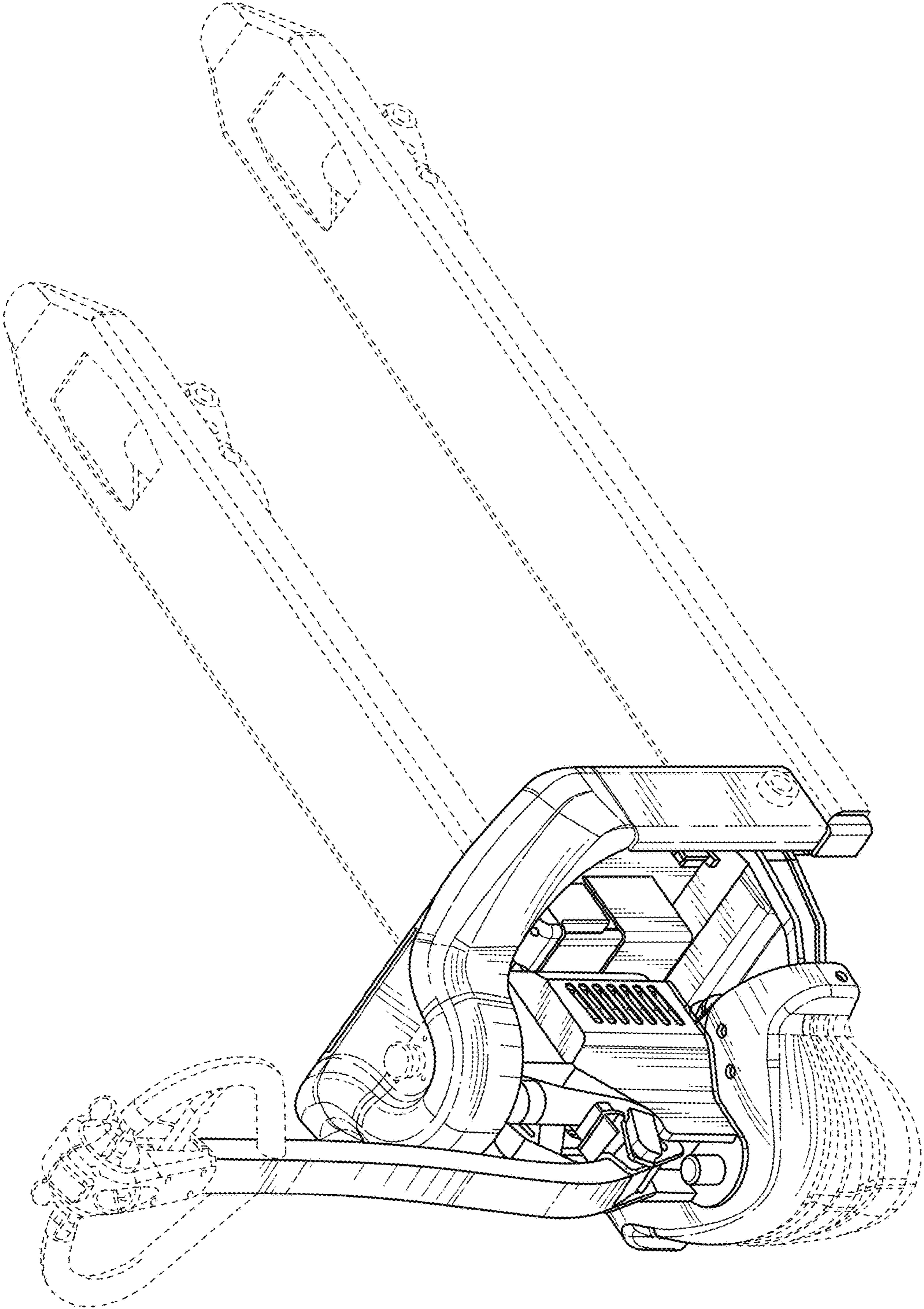


FIG. 1

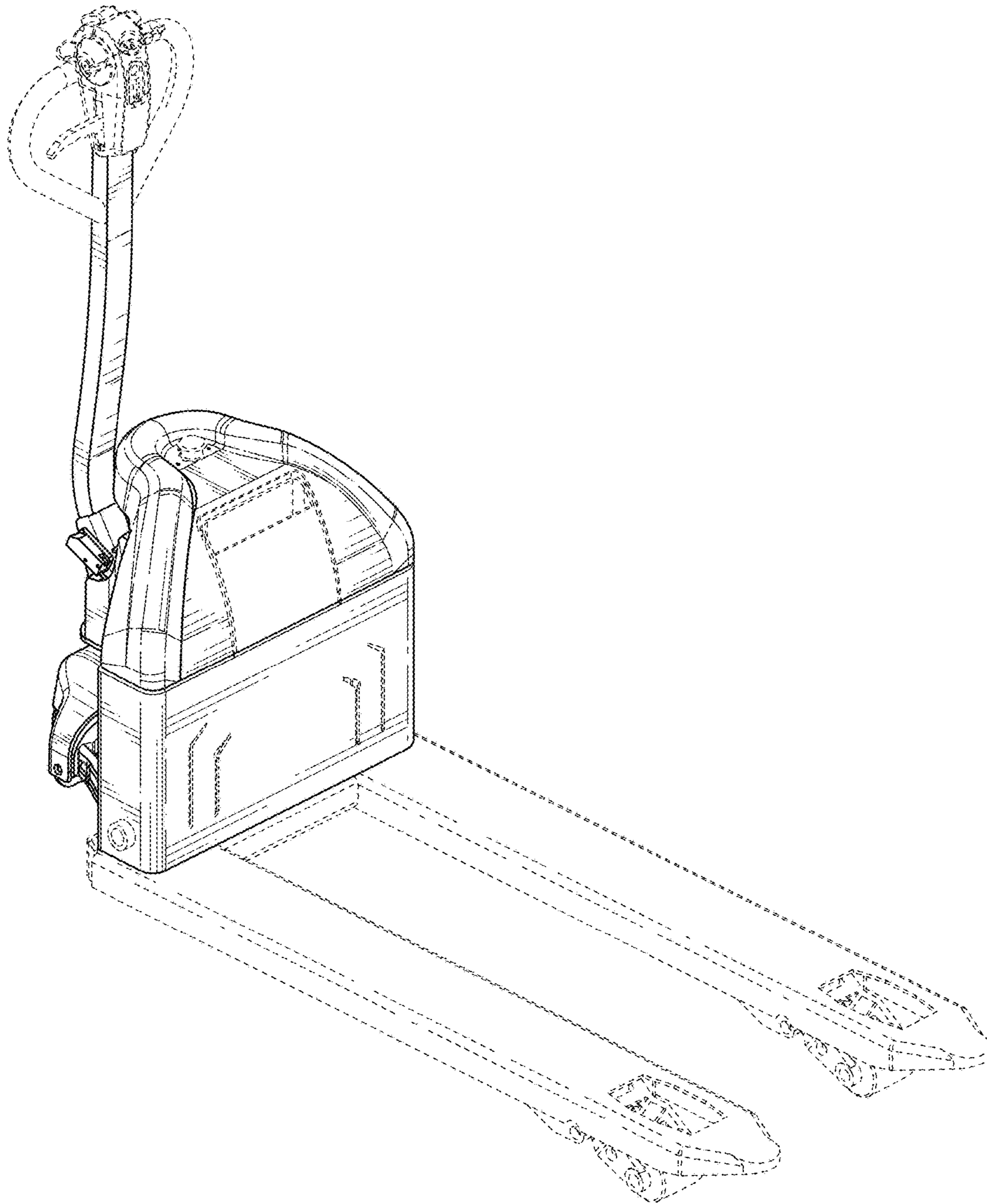


FIG. 2

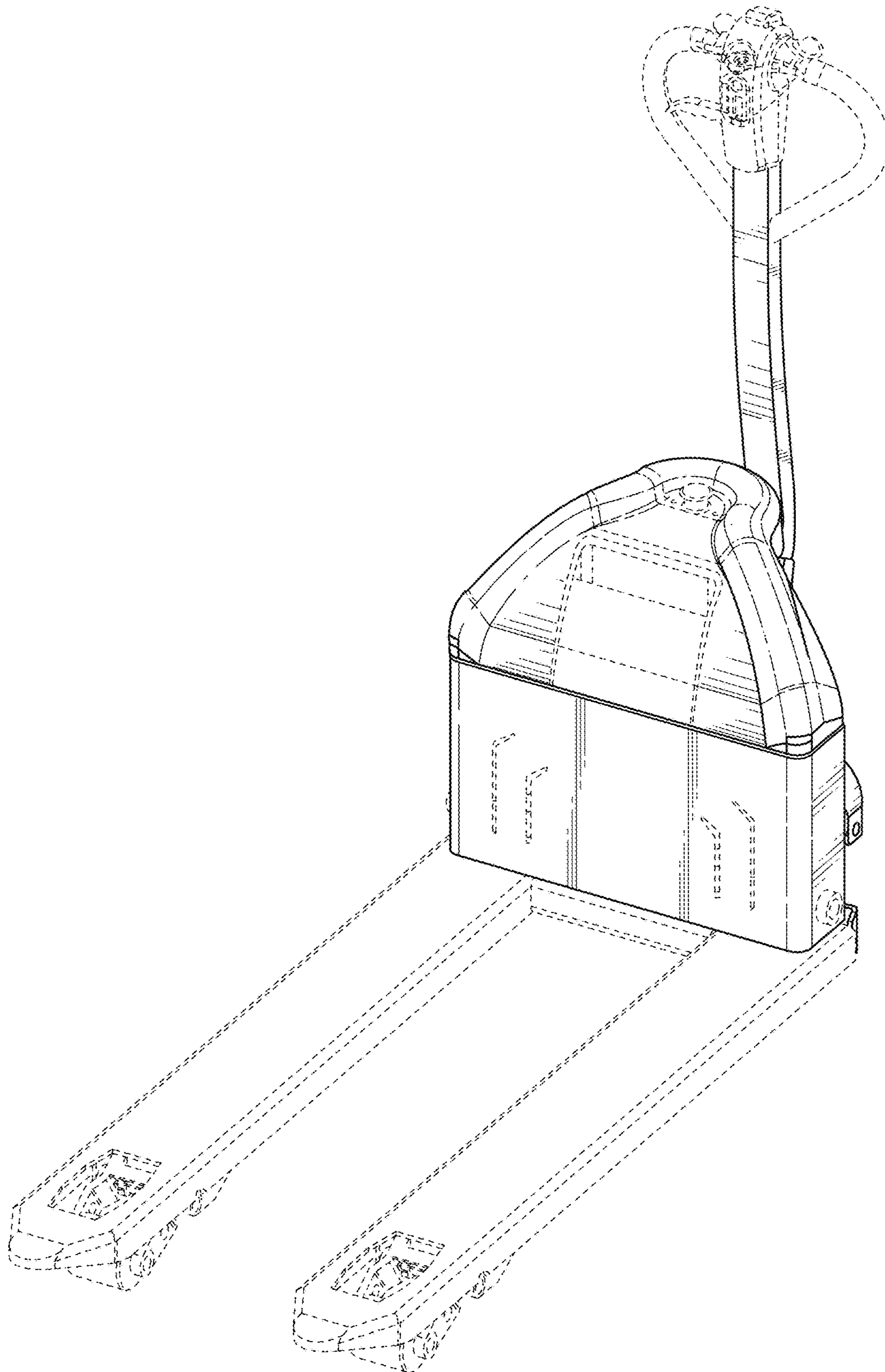


FIG. 3

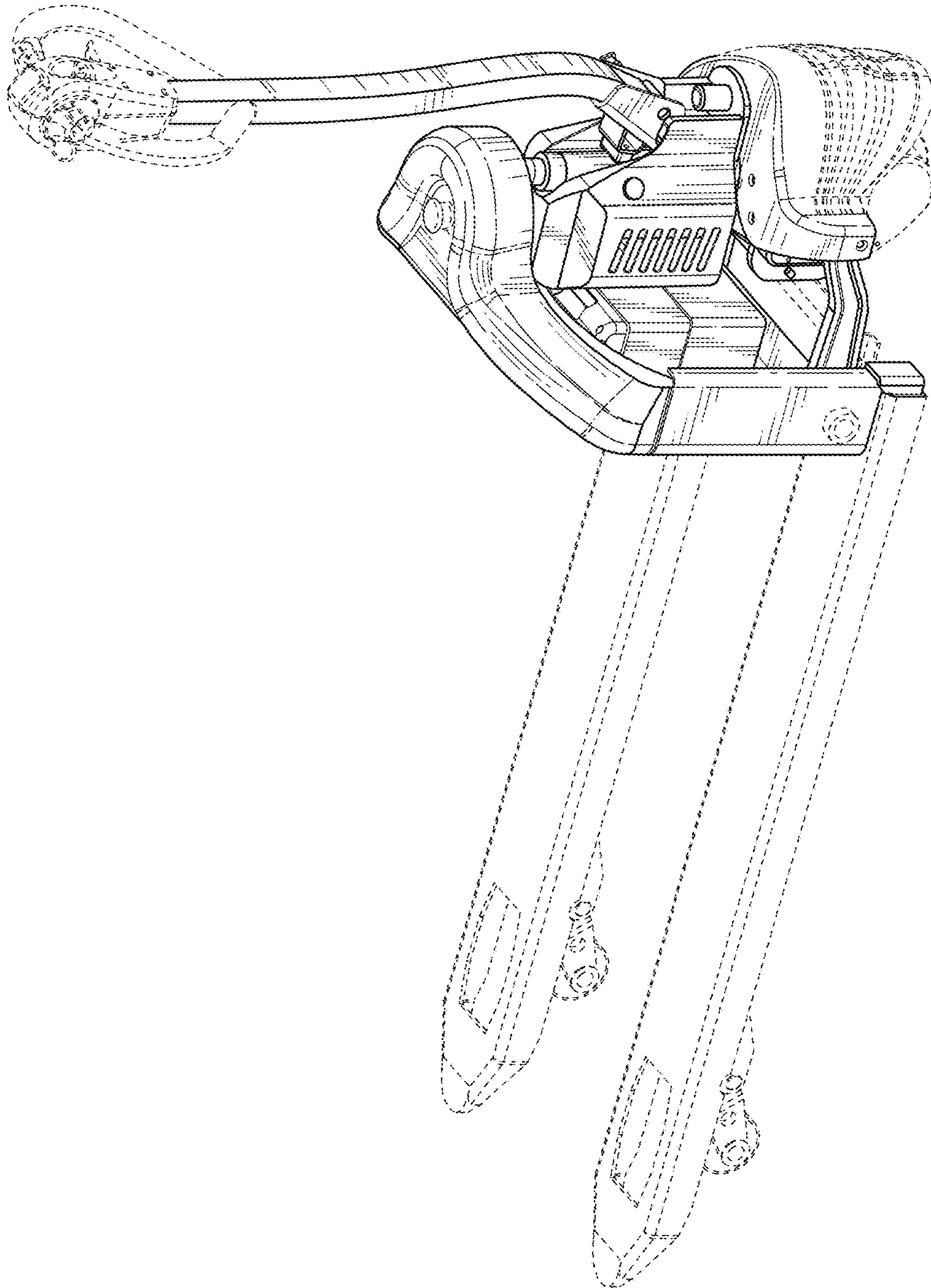


FIG. 4

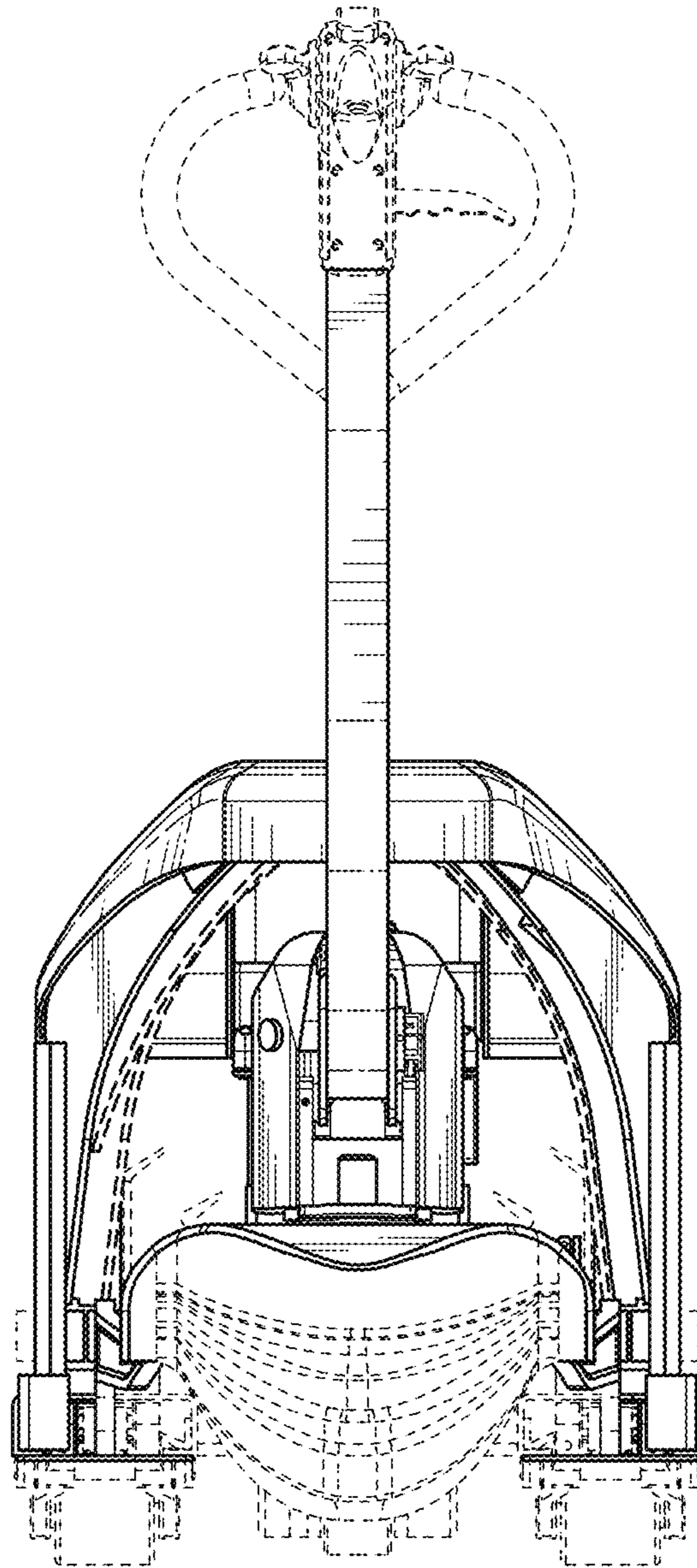


FIG. 5

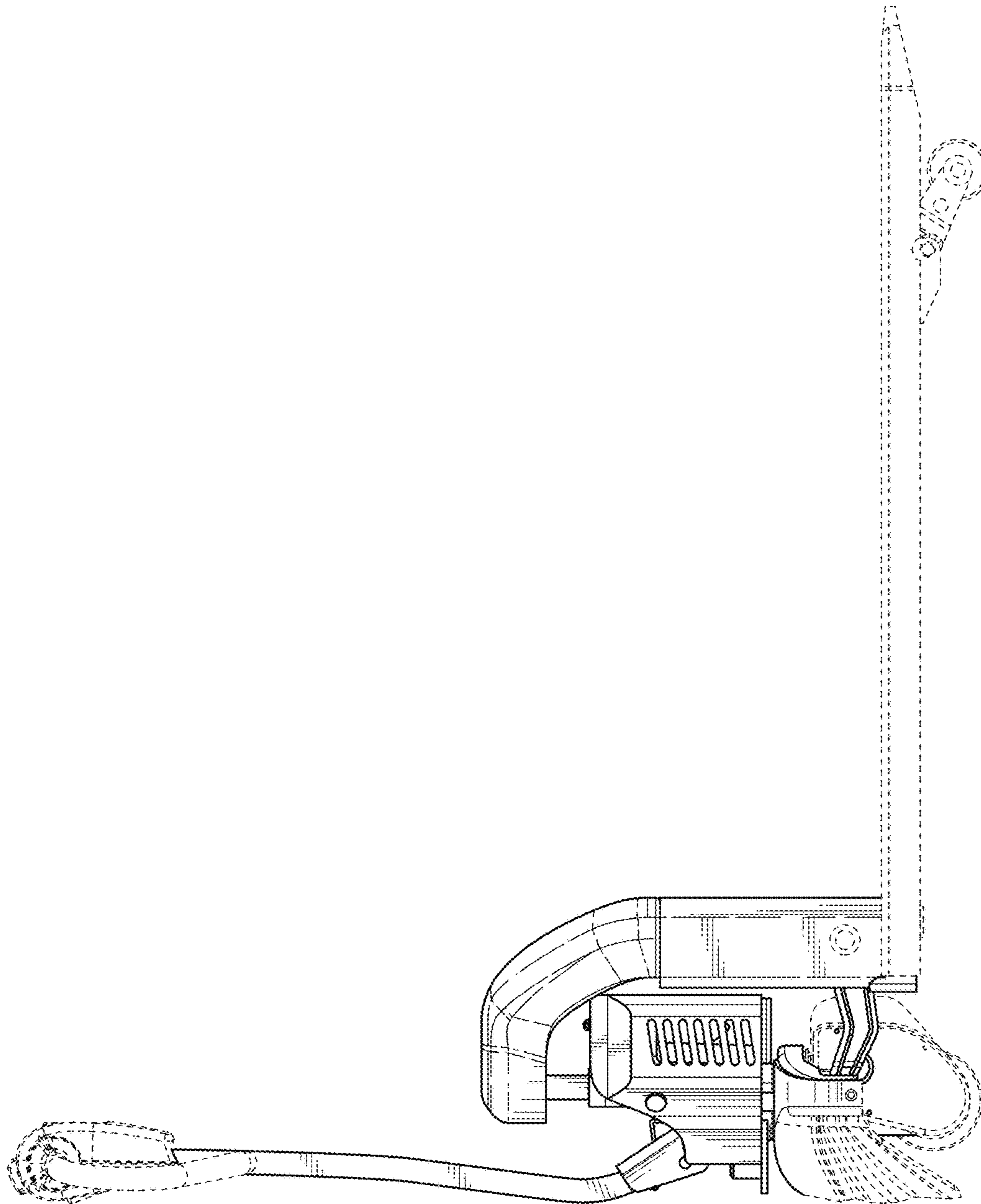


FIG. 6

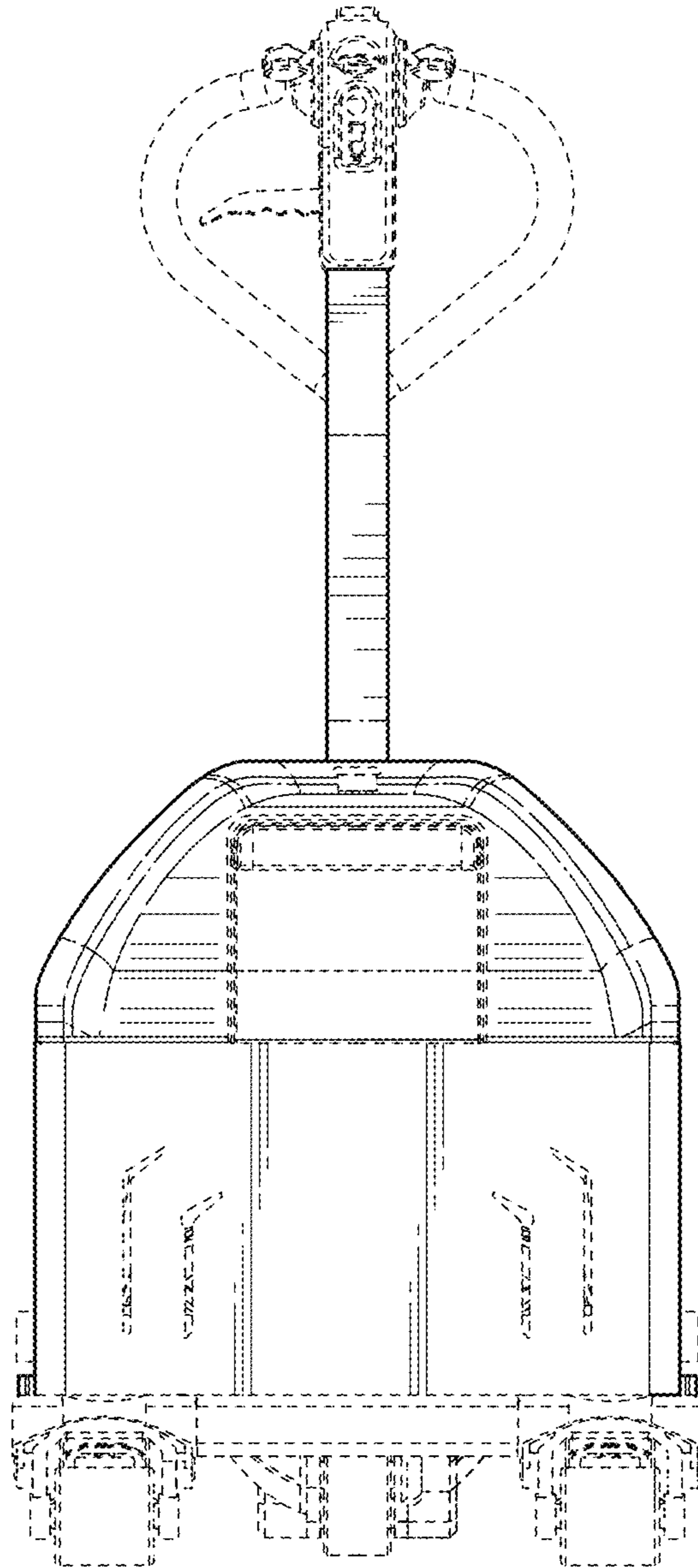


FIG. 7



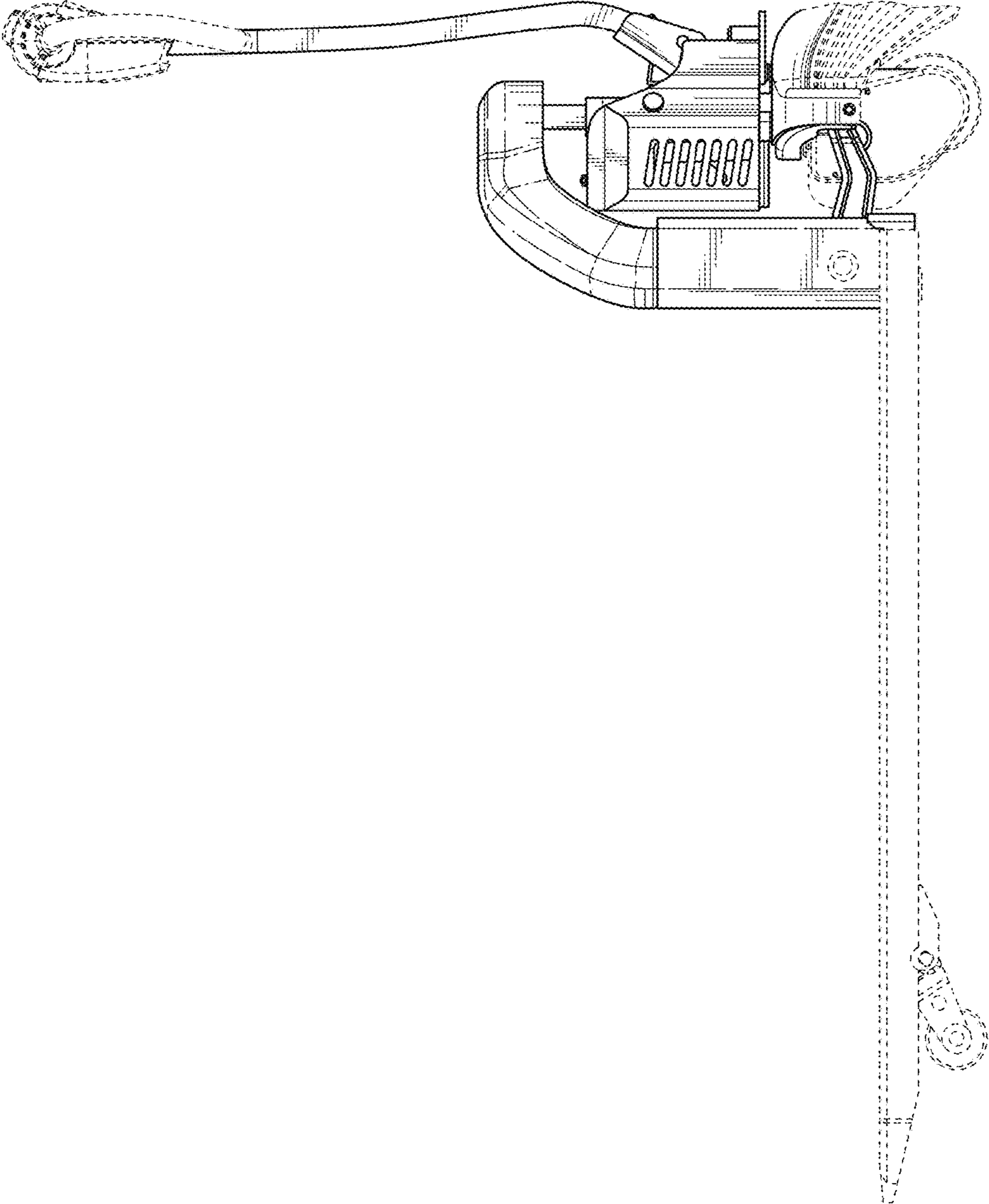


FIG. 8

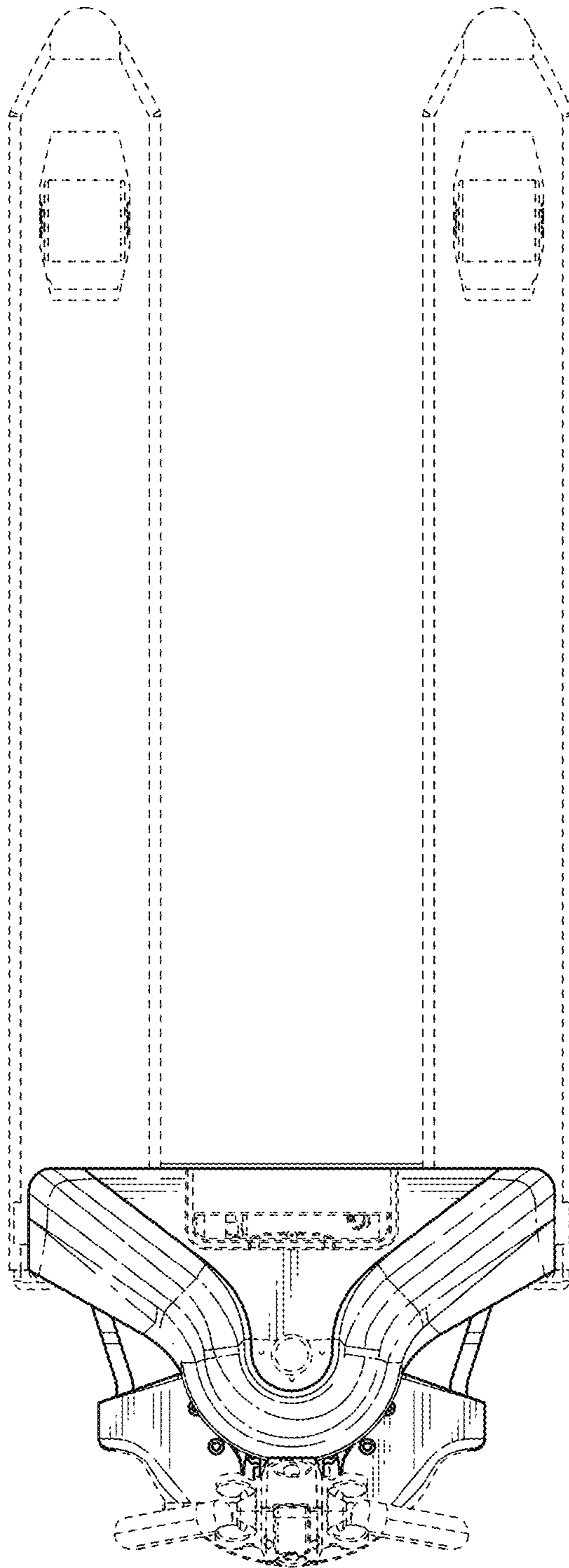


FIG. 9

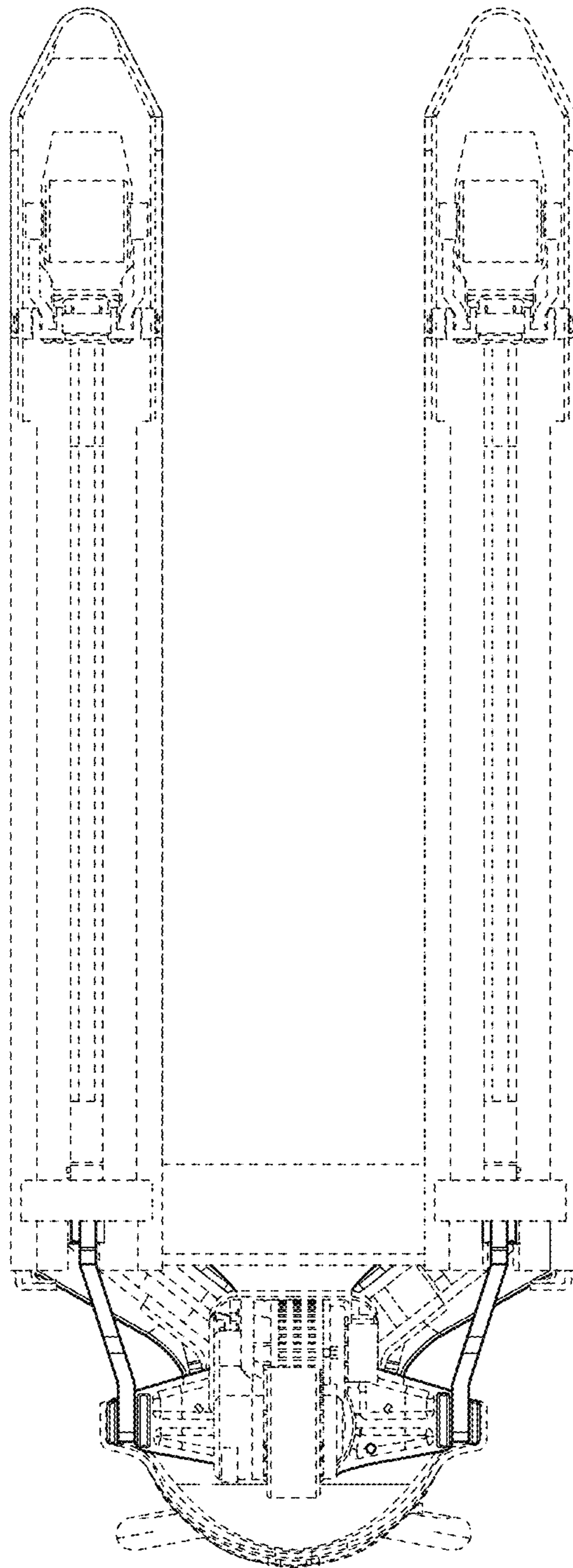


FIG. 10