



US00D805711S

(12) **United States Design Patent** (10) **Patent No.:** **US D805,711 S**
Magnusson (45) **Date of Patent:** **** Dec. 19, 2017**

- (54) **SHOPPING CART**
- (71) Applicant: **Advance Carts Inc.**, Boca Raton, FL (US)
- (72) Inventor: **Marcus Magnusson**, Boca Raton, FL (US)
- (73) Assignee: **Advance Carts Inc.**, Boca Raton, FL (US)
- (**) Term: **15 Years**
- (21) Appl. No.: **29/575,564**
- (22) Filed: **Aug. 26, 2016**
- (51) **LOC (10) Cl.** **12-02**
- (52) **U.S. Cl.**
USPC **D34/21**
- (58) **Field of Classification Search**
USPC D34/12, 14, 16, 17, 19, 20, 21, 23, 24, D34/25, 27; D12/129; 280/33.991, 280/33.992, 33.995, 33.996, 33.997, 280/47.35, 47.38, 647, 651, 659, 79.2, 280/79.3; 180/20
CPC ... B62B 3/14; B62B 2501/067; B62B 3/1496; B62B 5/06; B62B 9/26; B62B 2202/023; B62B 3/00; B62B 3/1412
See application file for complete search history.

- D638,602 S * 5/2011 Walter D34/21
- D645,631 S * 9/2011 Walter D34/21
- D648,915 S * 11/2011 Walter D34/21
- D665,962 S * 8/2012 Walter D34/27
- D677,033 S * 2/2013 Walter D34/21
- RE45,915 E * 3/2016 Walter D34/21
- D785,271 S * 4/2017 Walter D34/21

OTHER PUBLICATIONS

Advancecarts “100x—Xpress Series”, <http://advancecarts.com/advance-carts-products/>. Jun. 8, 2017. shown in p. 1, Item #100x.*

* cited by examiner

Primary Examiner — Cynthia Ramirez

Assistant Examiner — Michael Maharajh

(74) *Attorney, Agent, or Firm* — Murtha Cullina LLP; Anthony P. Gangemi

(57) **CLAIM**

The ornamental design of a shopping cart, as shown and described.

DESCRIPTION

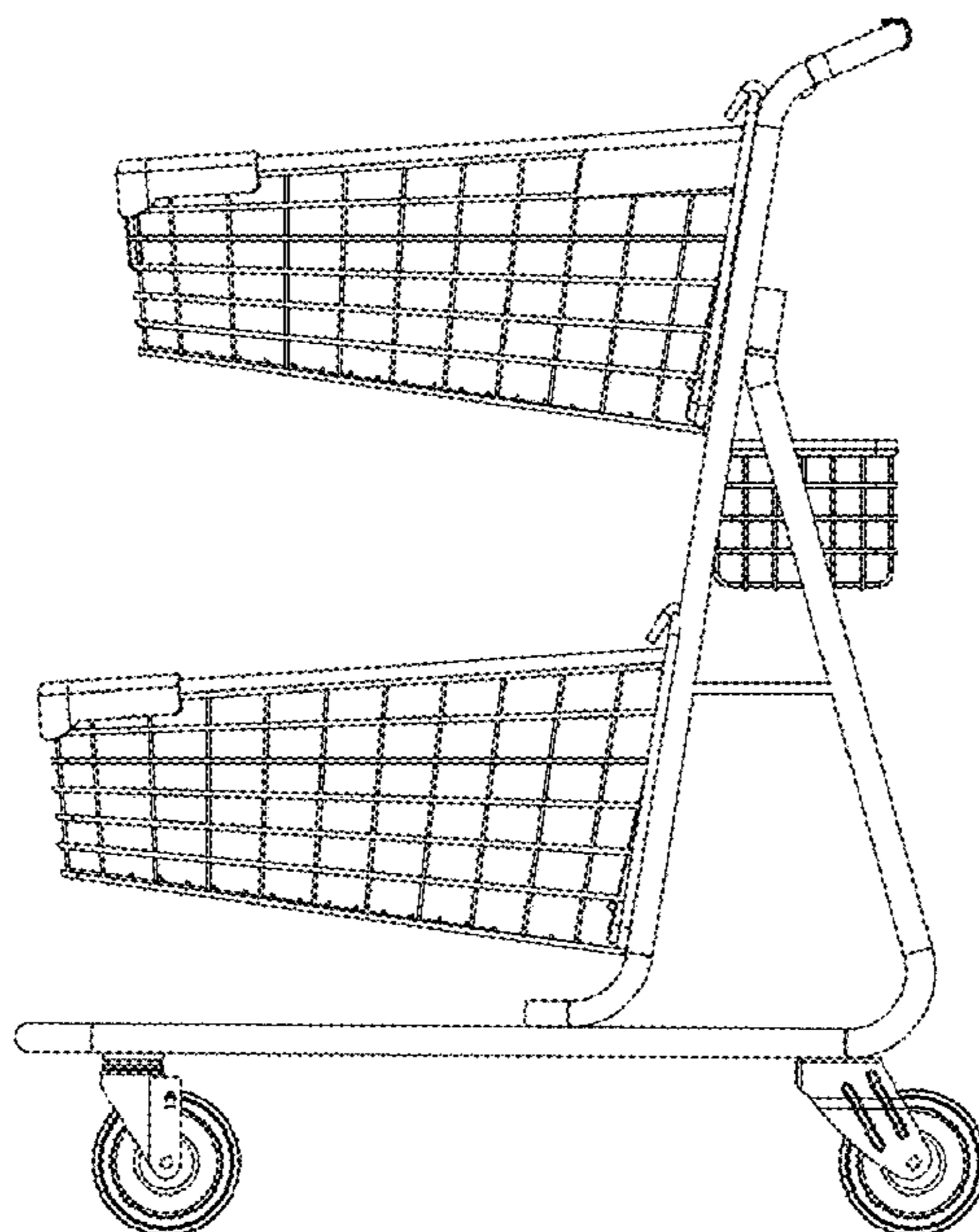
FIG. 1 is a right side view of a shopping cart showing my new design;
 FIG. 2 is a left side view of the shopping cart shown in FIG. 1;
 FIG. 3 is a front view of the shopping cart shown in FIG. 1;
 FIG. 4 is a rear view of the shopping cart shown in FIG. 1;
 FIG. 5 is a top view of the shopping cart shown in FIG. 1;
 FIG. 6 is a bottom view of the shopping cart shown in FIG. 1;
 FIG. 7 is a rear isometric view of the shopping cart shown in FIG. 1; and,
 FIG. 8 is a front isometric view of the shopping cart shown in FIG. 1.

1 Claim, 8 Drawing Sheets

(56) **References Cited**

U.S. PATENT DOCUMENTS

- 6,126,181 A * 10/2000 Ondrasik B62B 3/1476 280/33.991
- D580,619 S * 11/2008 Walter D34/21
- D605,823 S * 12/2009 Walter D34/20
- D606,723 S * 12/2009 Walter D34/20
- D633,269 S * 2/2011 Walter D34/21



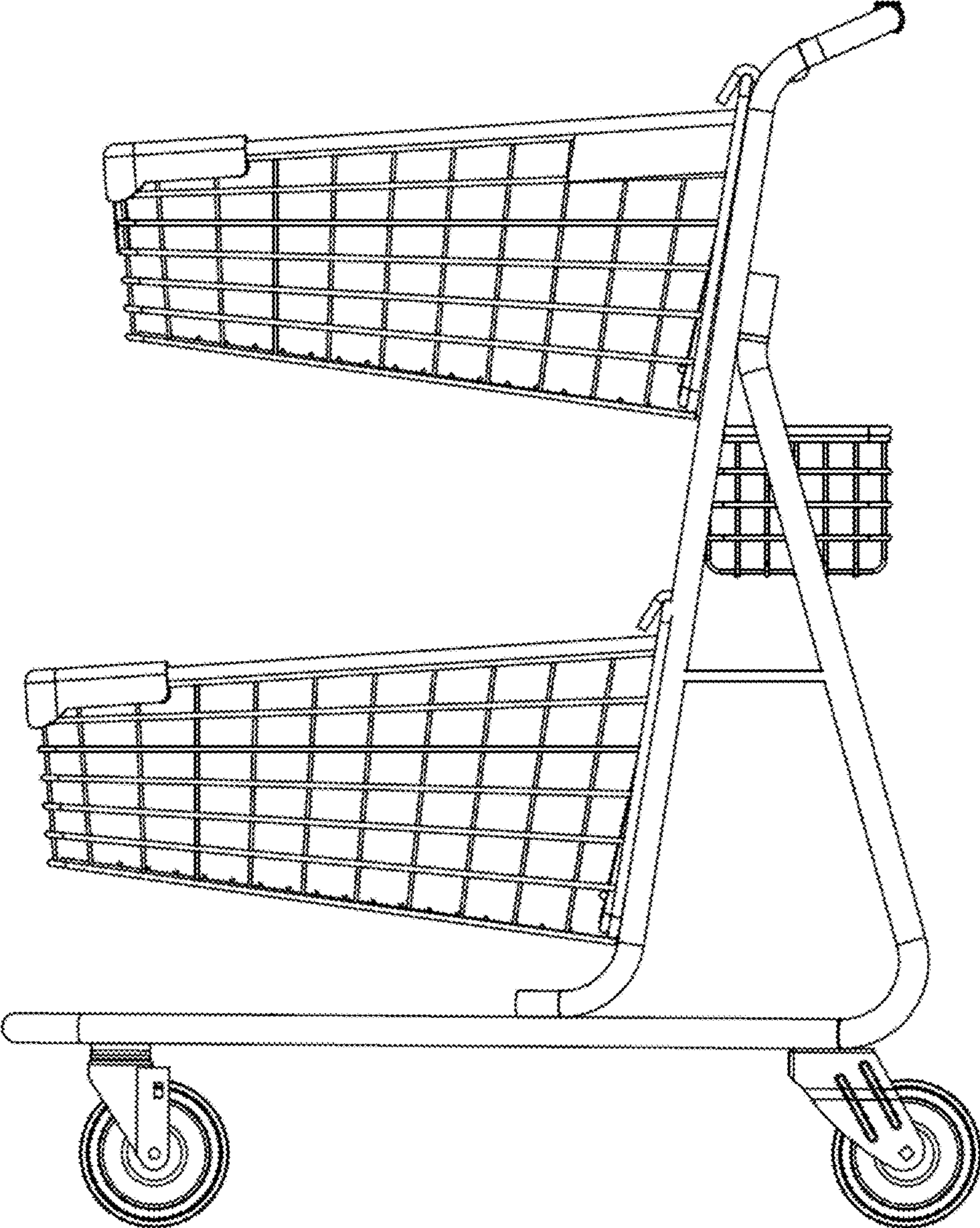


FIG. 1

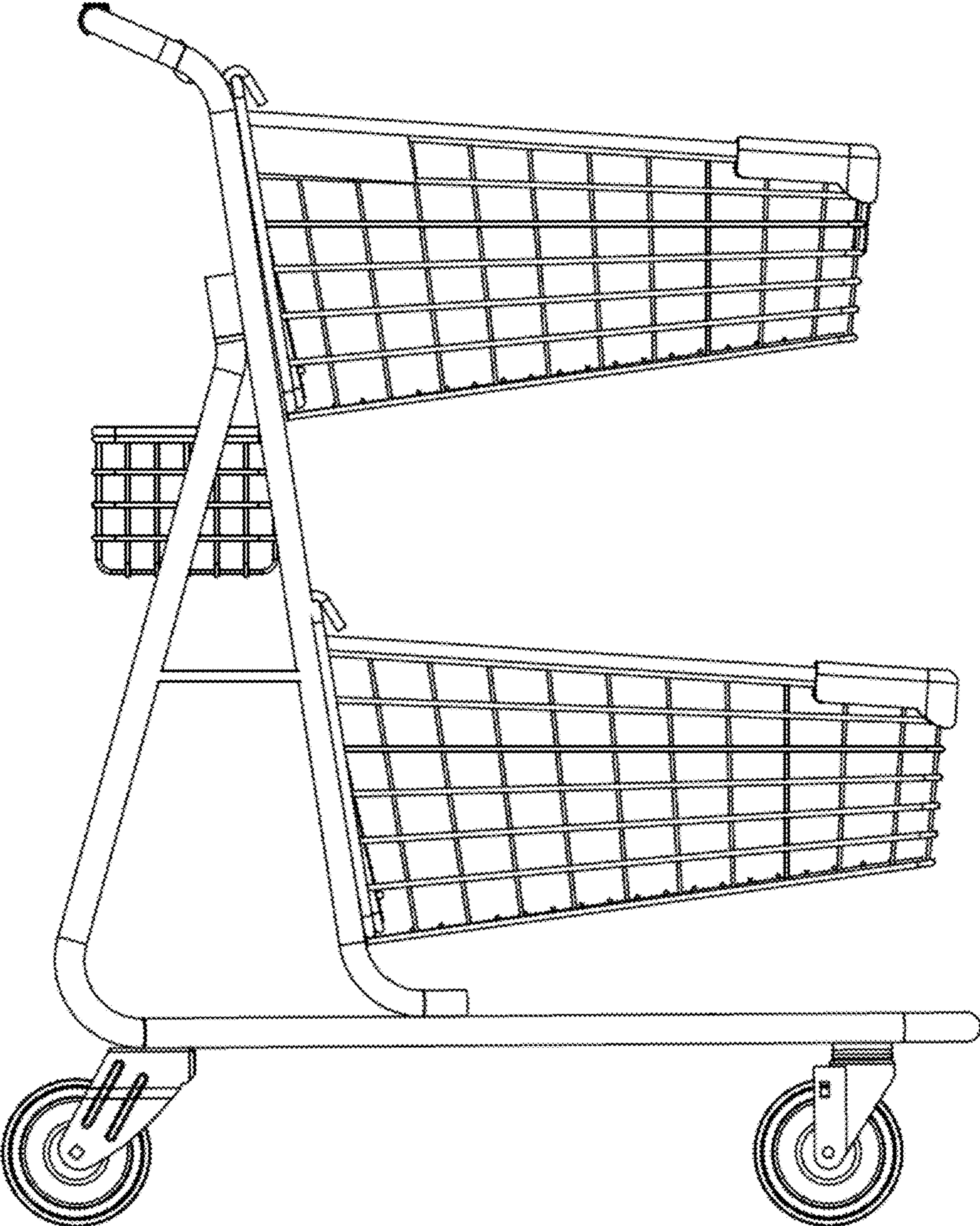


FIG. 2

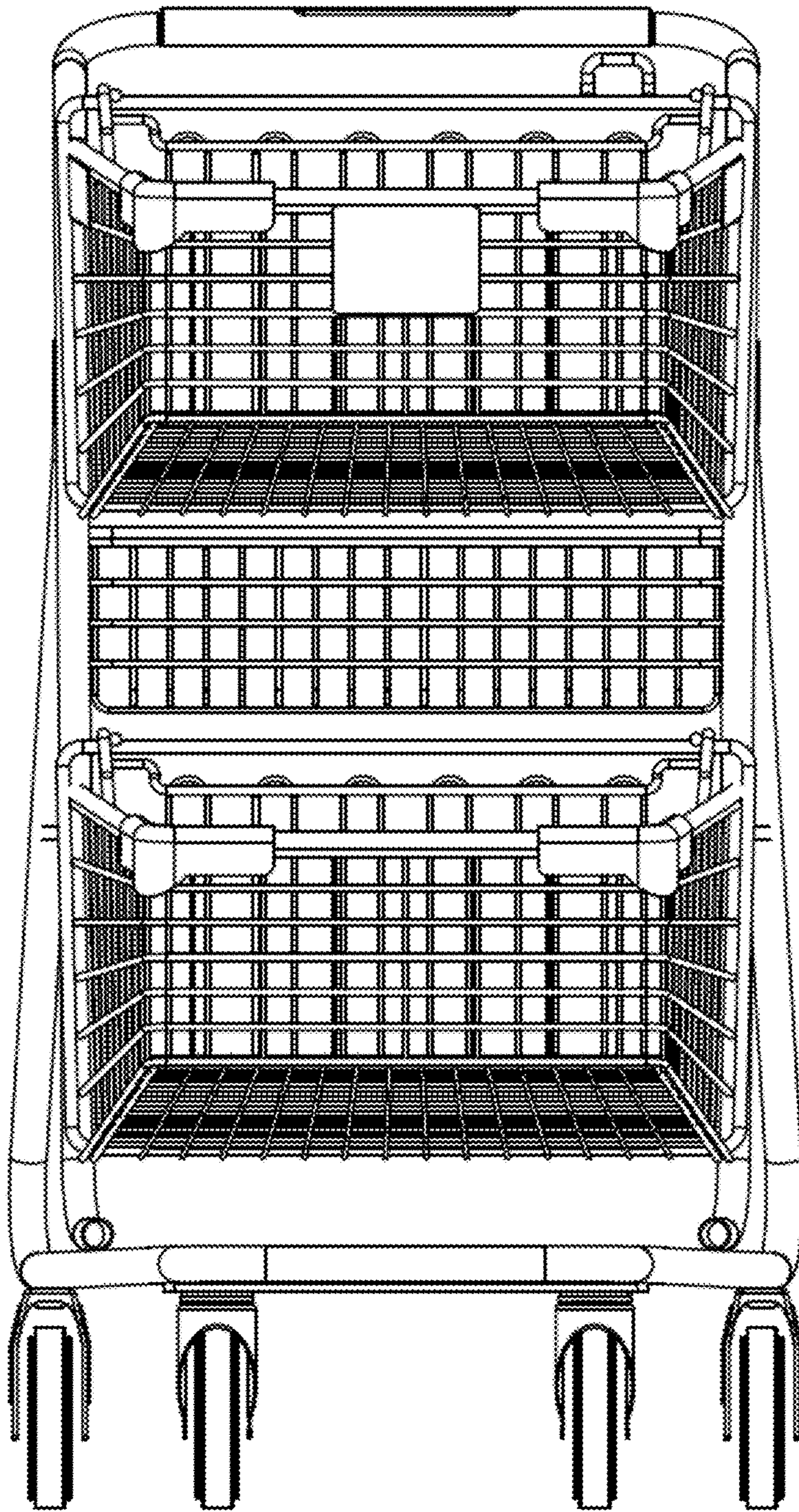


FIG. 3

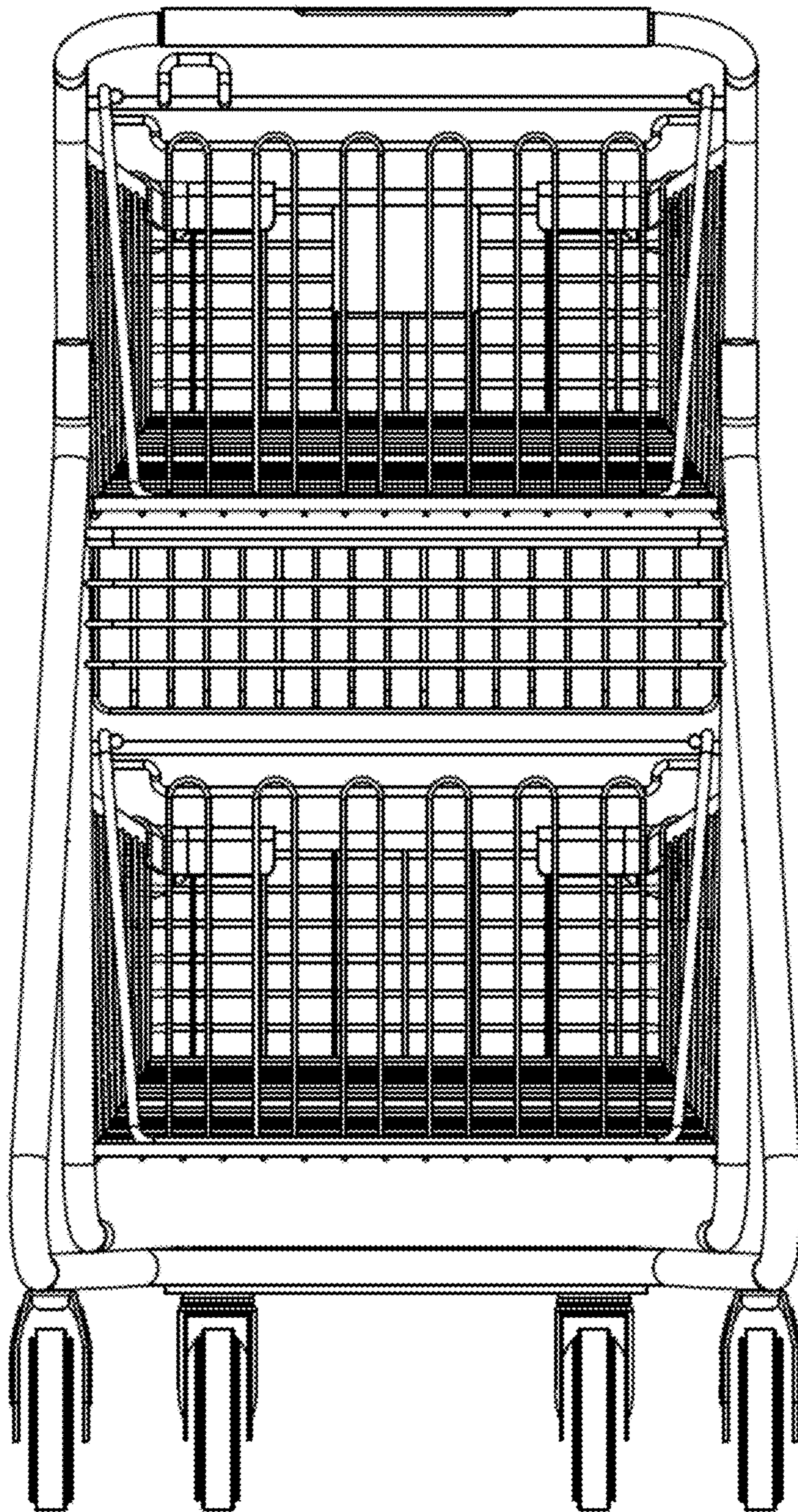


FIG. 4

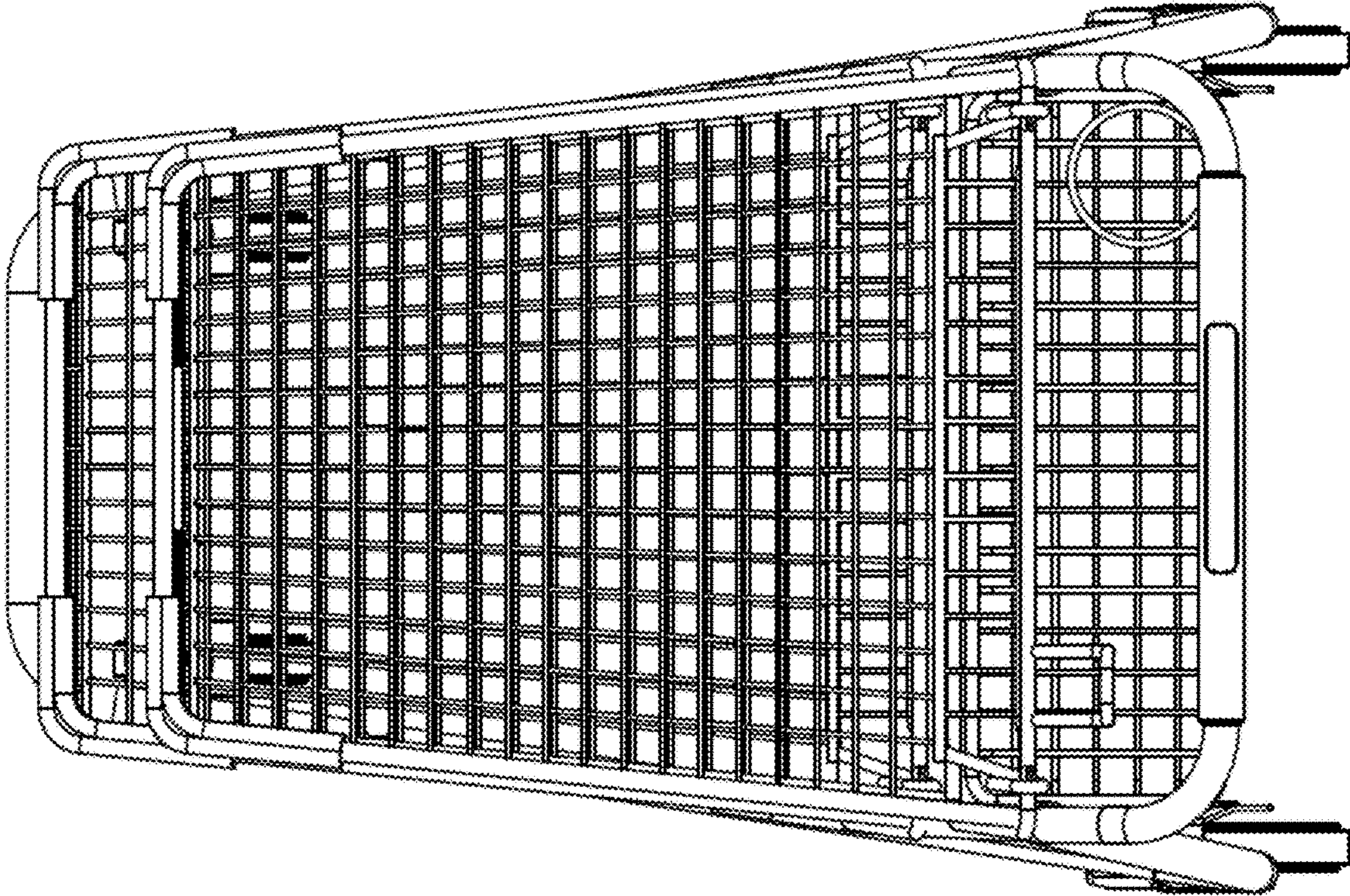


FIG. 5

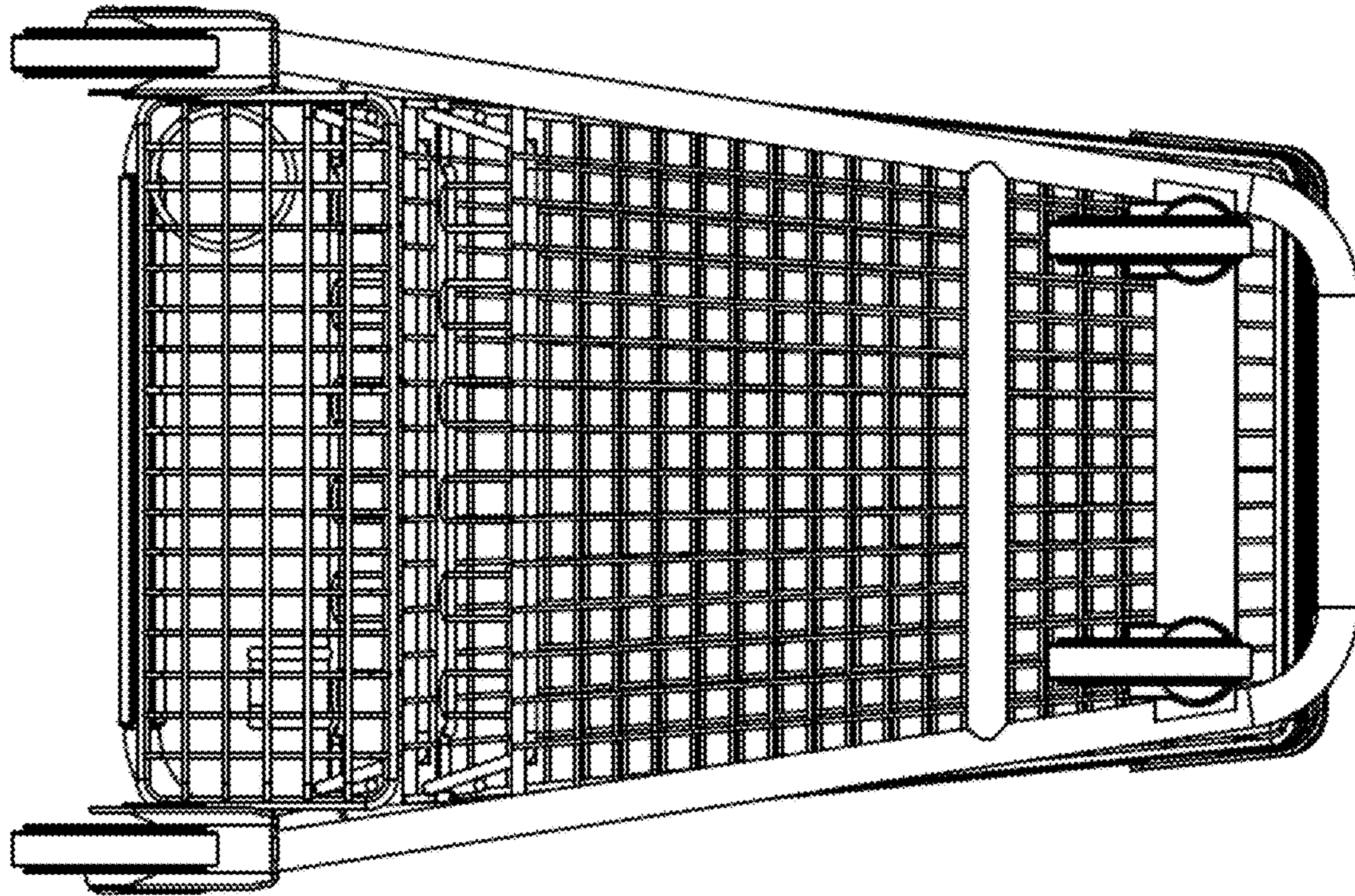


FIG. 6



FIG. 7

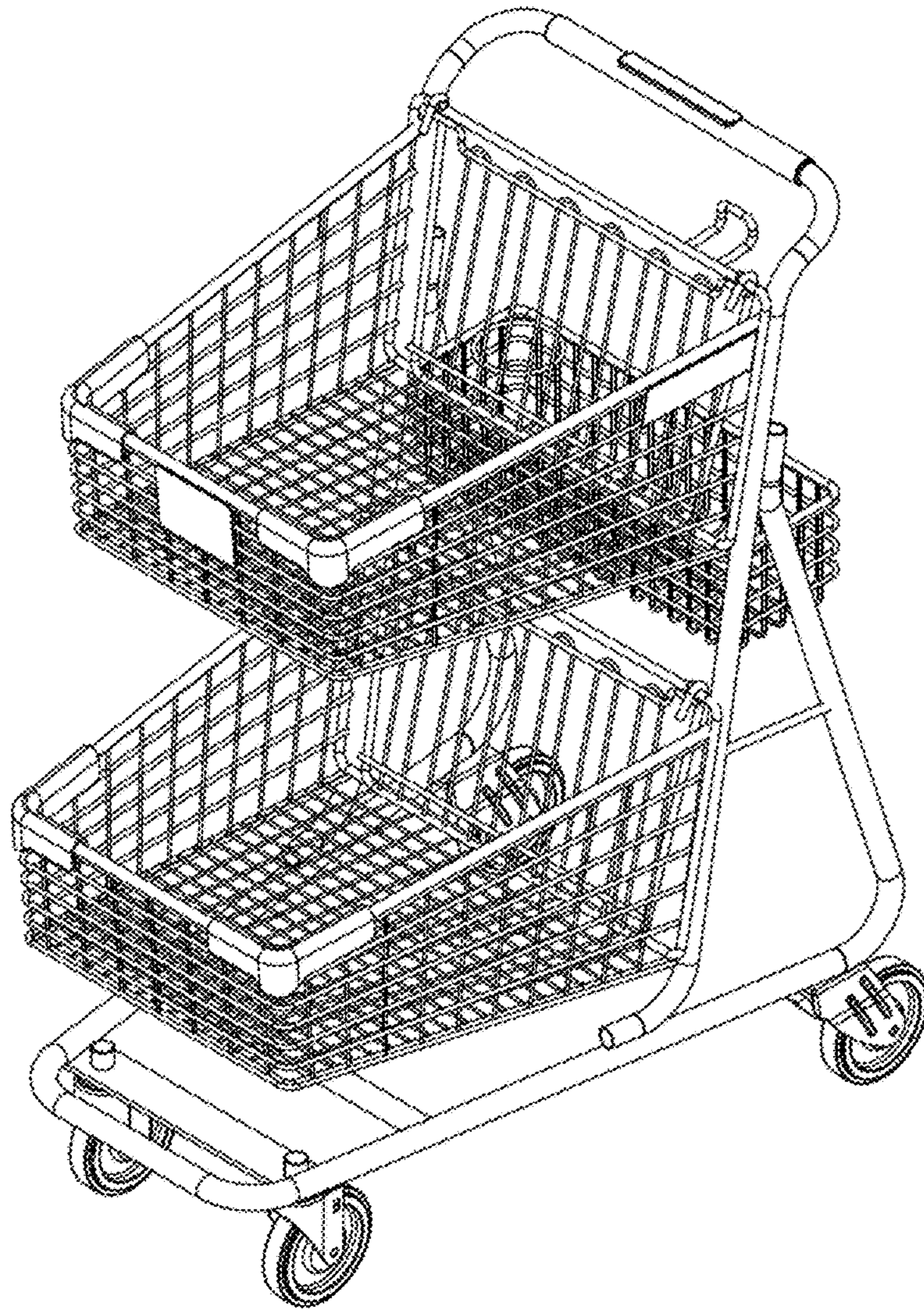


FIG. 8