

US00D805710S

(12) **United States Design Patent** (10) **Patent No.:** **US D805,710 S**  
**Thuma et al.** (45) **Date of Patent:** **\*\* Dec. 19, 2017**

- (54) **HOTEL CART**
- (71) Applicant: **Suncast Technologies, LLC**, Palm Beach Gardens, FL (US)
- (72) Inventors: **Michael Thuma**, LaGrange, IL (US); **Torrence Anderson**, Overland Park, KS (US); **Michael R. Vogler**, Oswego, IL (US)
- (73) Assignee: **Suncast Technologies, LLC**, Palm Beach Gardens, FL (US)
- (\*\*) Term: **15 Years**
- (21) Appl. No.: **29/580,003**
- (22) Filed: **Oct. 5, 2016**
- (51) **LOC (10) Cl.** ..... **12-02**
- (52) **U.S. Cl.**  
USPC ..... **D34/17**
- (58) **Field of Classification Search**  
USPC ..... D34/12-27; 280/79.3, 33.998, 47.34, 280/47.35, 47.36  
CPC ..... B62B 3/02; B62B 3/005; B62B 3/004; B62B 3/022; B62B 3/027; B62B 3/04; B62B 5/0006; B62B 5/04; B62B 5/025  
See application file for complete search history.

- D550,919 S \* 9/2007 Tuncel ..... D34/17
- D550,920 S \* 9/2007 Tuncel ..... D34/17
- 7,291,904 B2 \* 11/2007 Matsuda ..... H03H 9/0071 257/414
- D560,870 S \* 1/2008 Shipman ..... D34/17
- D591,473 S \* 4/2009 Tuncel ..... D34/17
- D592,820 S \* 5/2009 Tuncel ..... D34/17
- D703,905 S \* 4/2014 Tuncel ..... D34/23
- D713,112 S \* 9/2014 Maher ..... D34/17
- D728,888 S \* 5/2015 Tuncel ..... D34/17
- D743,139 S \* 11/2015 Tuncel ..... D34/17

\* cited by examiner

*Primary Examiner* — Cynthia Ramirez  
(74) *Attorney, Agent, or Firm* — McHale & Slavin, P.A.

(57) **CLAIM**

The ornamental design for a hotel cart, as shown and described.

**DESCRIPTION**

FIG. 1 is a top front isometric view of a hotel cart showing my new design;  
 FIG. 2 is a right side view thereof;  
 FIG. 3 is a left side view thereof;  
 FIG. 4 is a front view thereof;  
 FIG. 5 is a rear isometric view thereof;  
 FIG. 6 is a bottom view thereof;  
 FIG. 7 is a top view thereof;  
 FIG. 8 is a rear right isometric view thereof;  
 FIG. 9 is a front right bottom isometric view thereof; and,  
 FIG. 10 is another isometric view thereof.

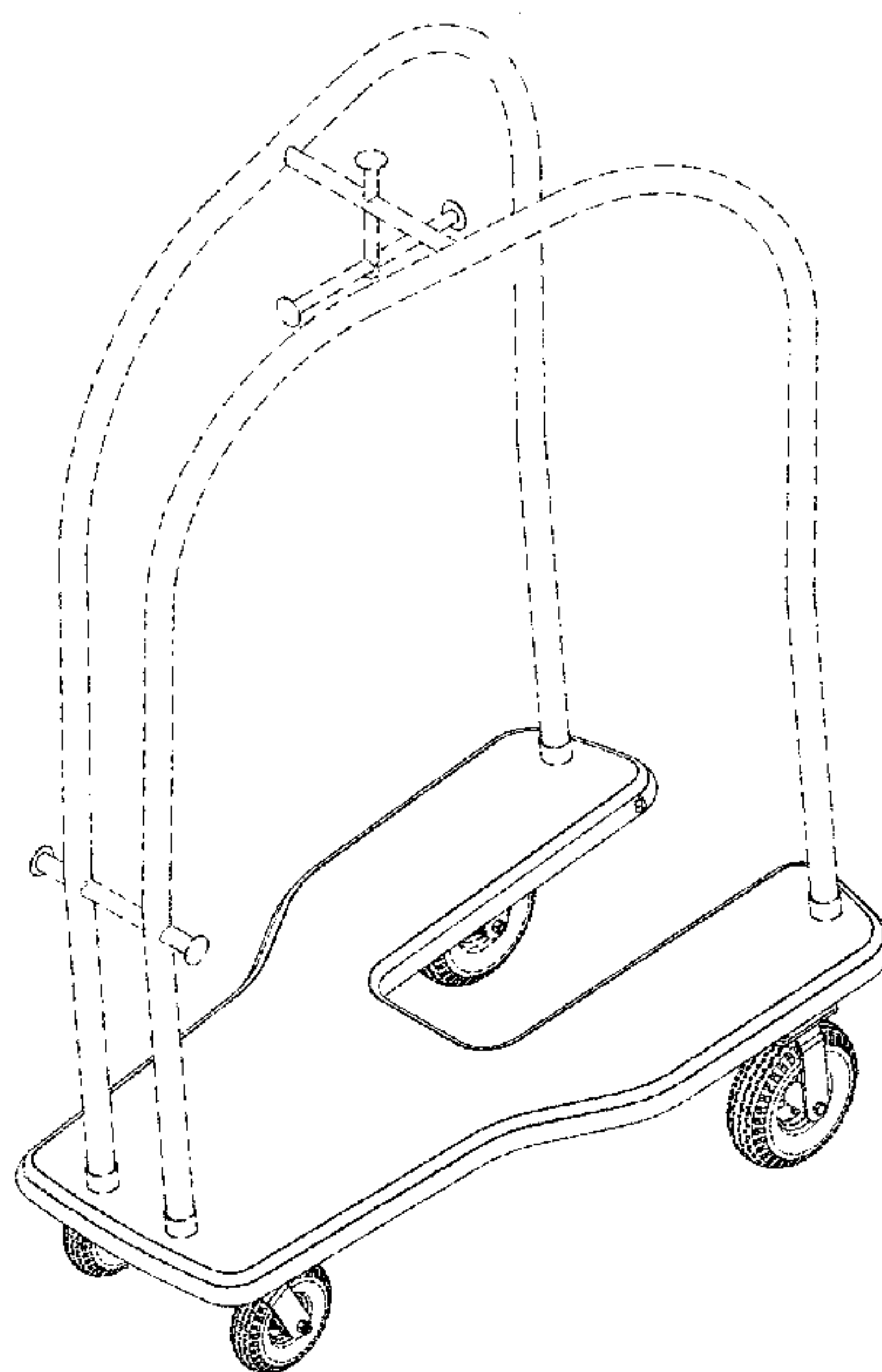
The broken lines show in FIGS. 1 through 10 are to show portions of the hotel cart and form no part of the claimed design. The other cart shown in broken lines in FIG. 10 is to show environment and for no part of the claimed design.

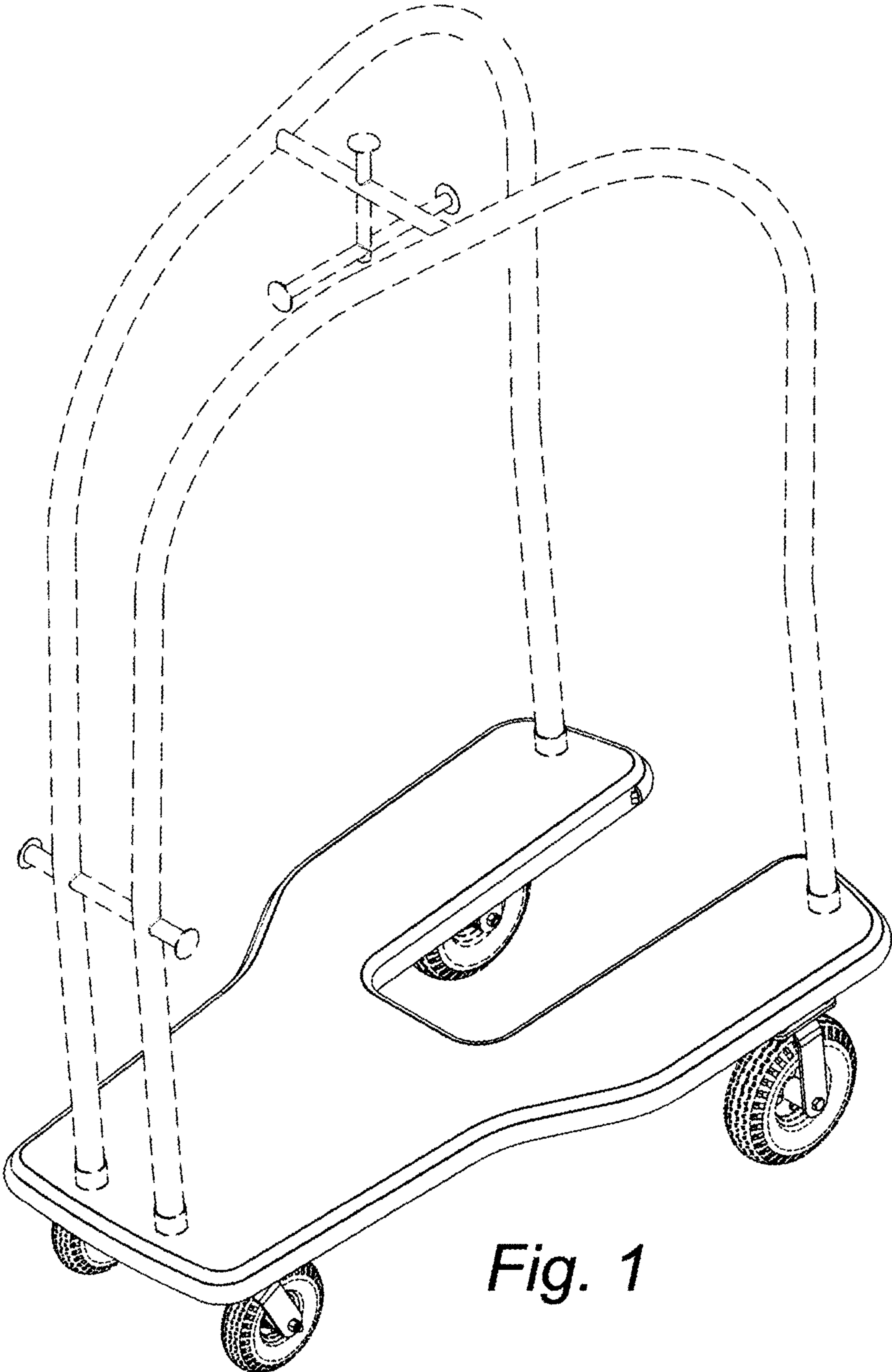
(56) **References Cited**

U.S. PATENT DOCUMENTS

- D294,760 S \* 3/1988 Vanderdoes, Sr. .... 280/79.11
- 5,090,725 A \* 2/1992 Feldner ..... B62B 3/02 211/189
- D329,727 S \* 9/1992 DeWitt ..... D34/17
- 5,190,305 A \* 3/1993 Putman ..... B62B 3/10 211/182

**1 Claim, 10 Drawing Sheets**





*Fig. 1*

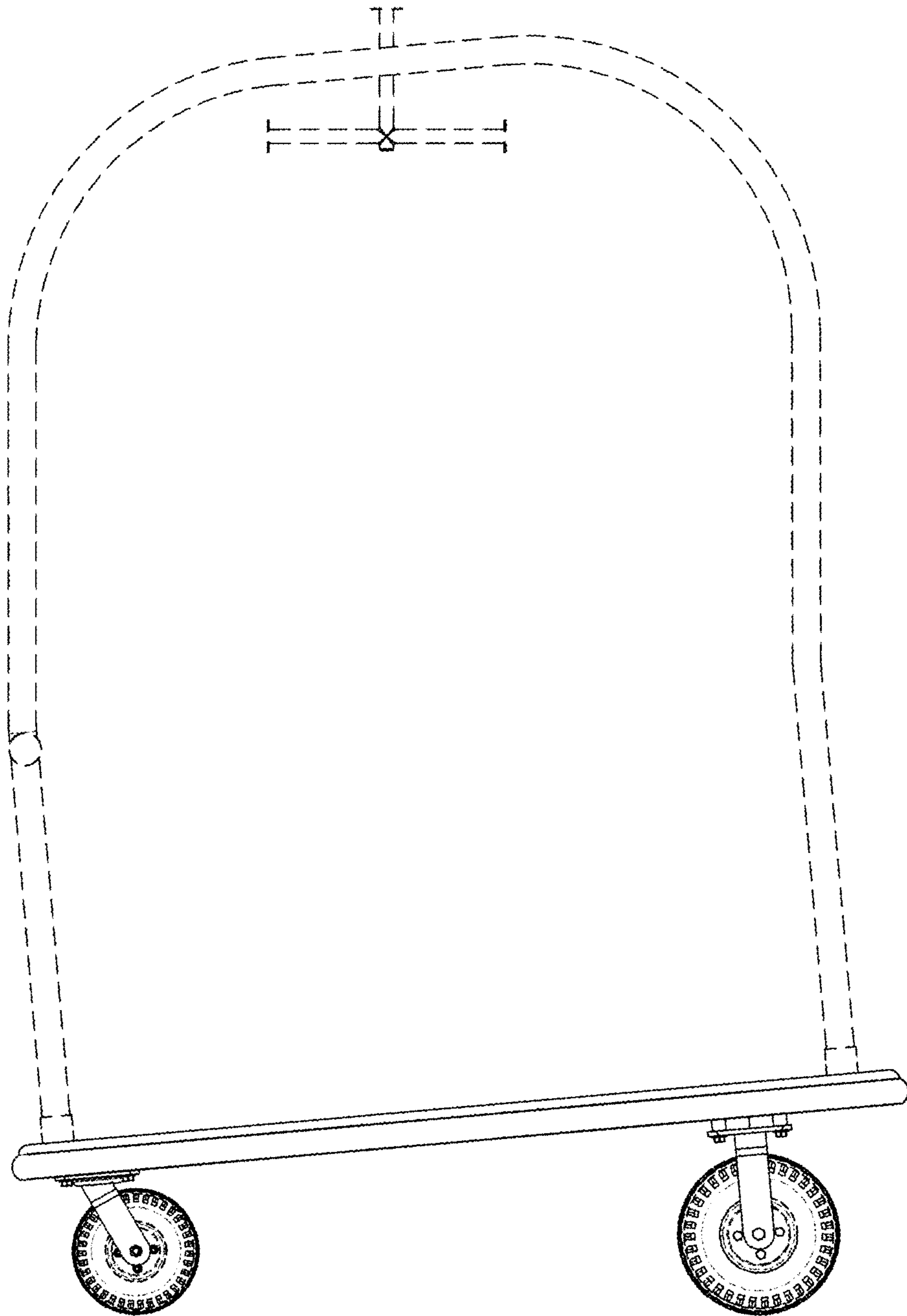


Fig. 2

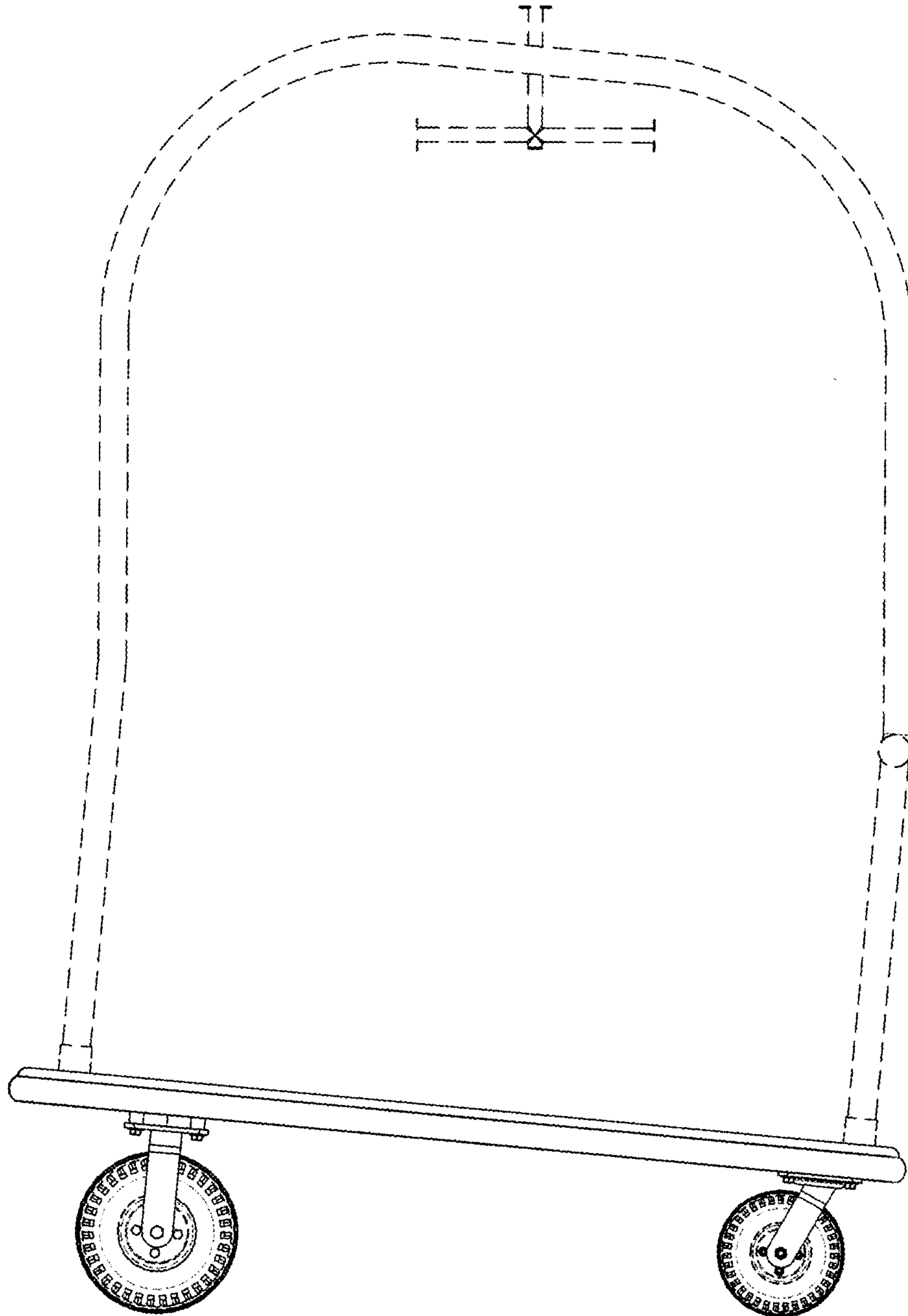
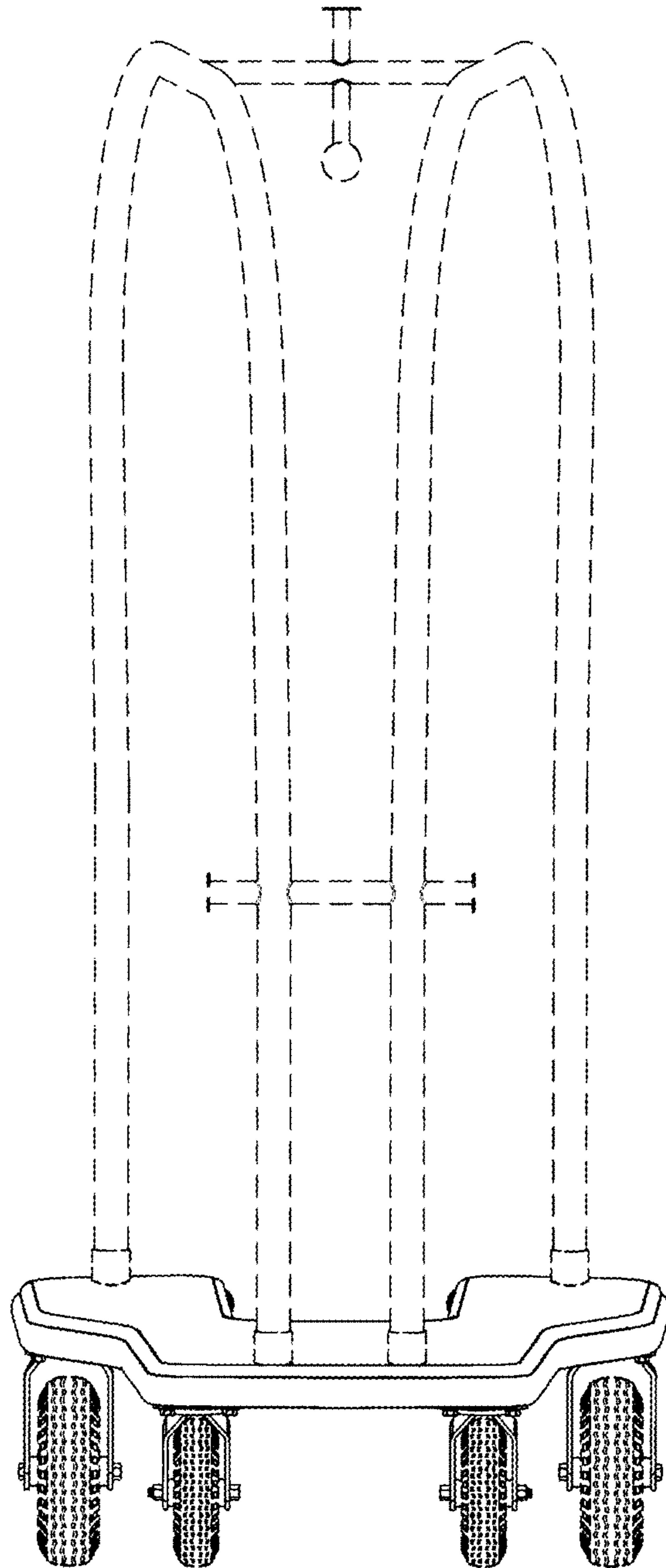
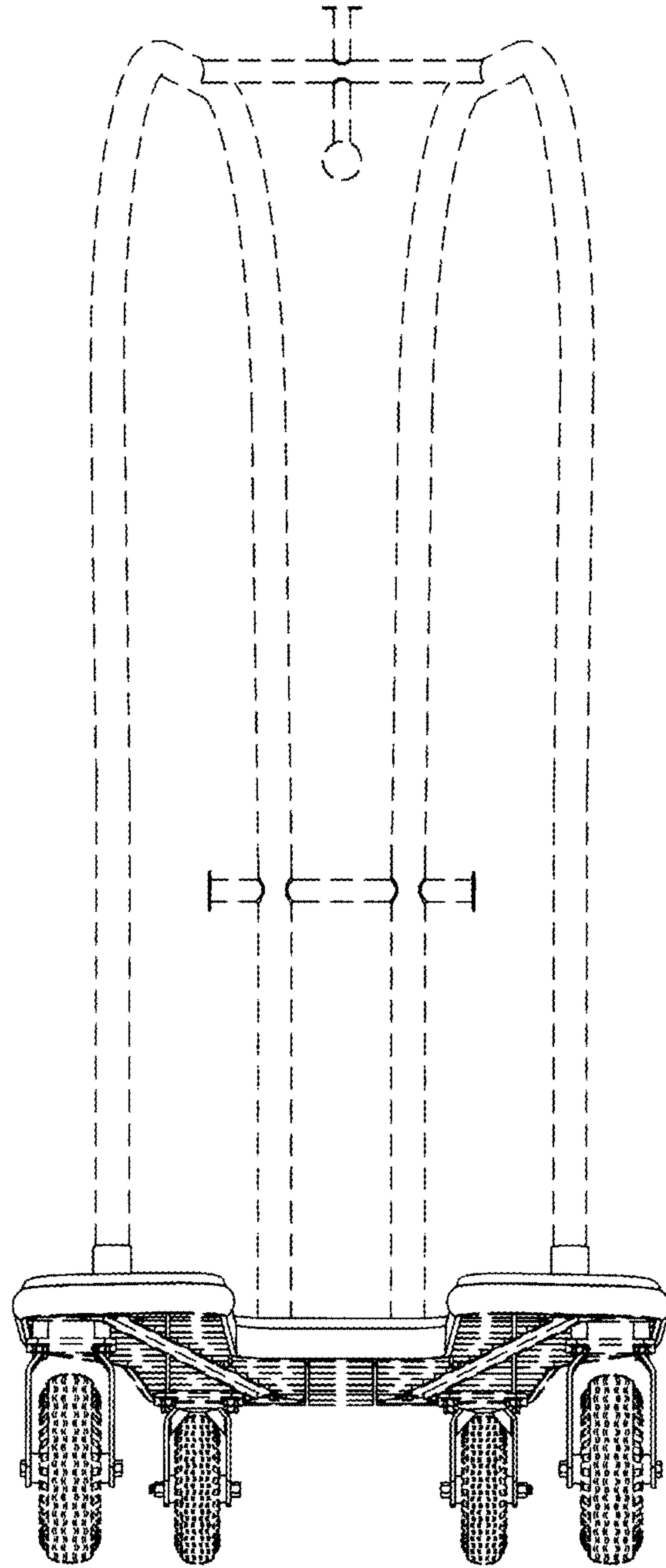


Fig. 3

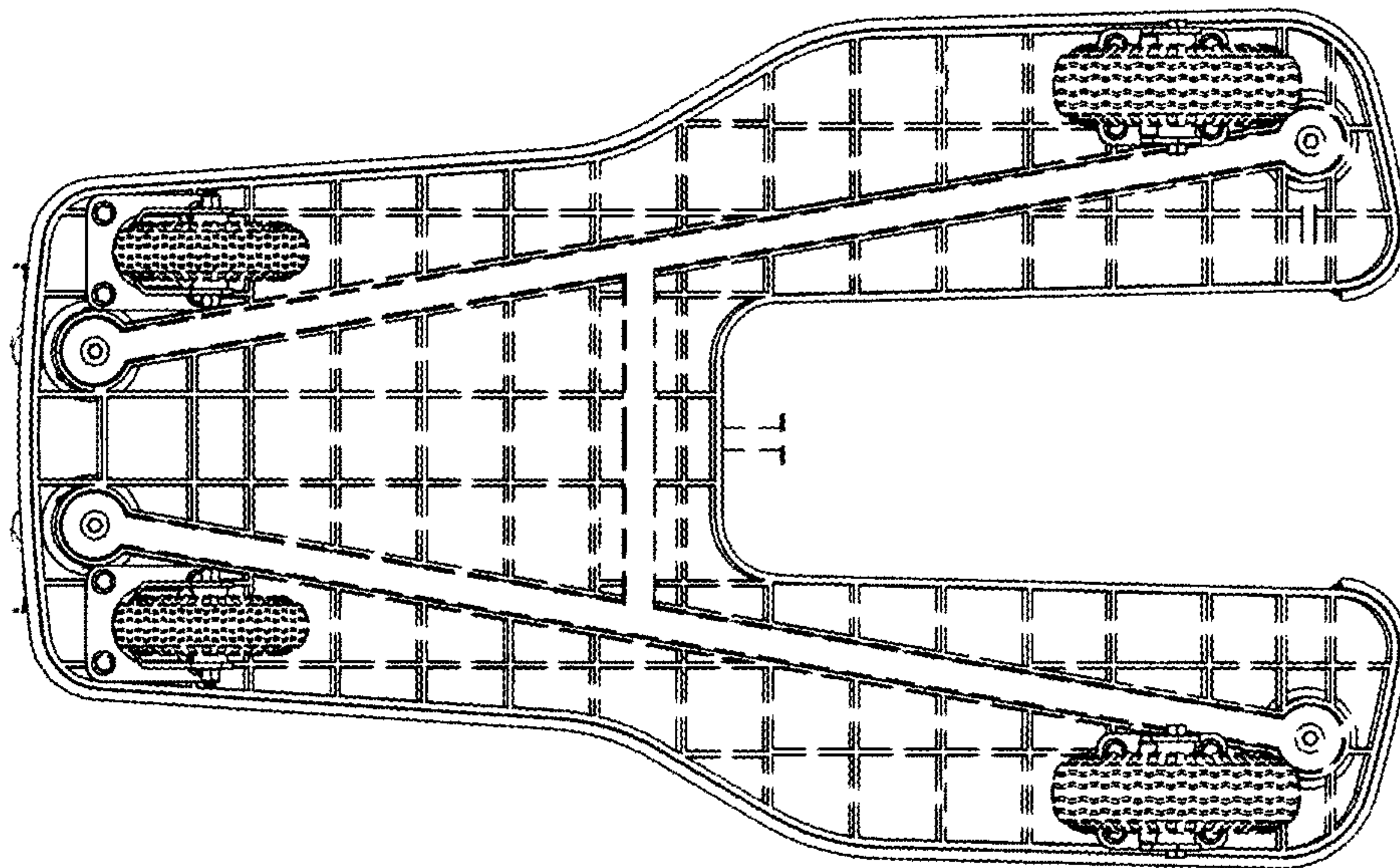


*Fig. 4*

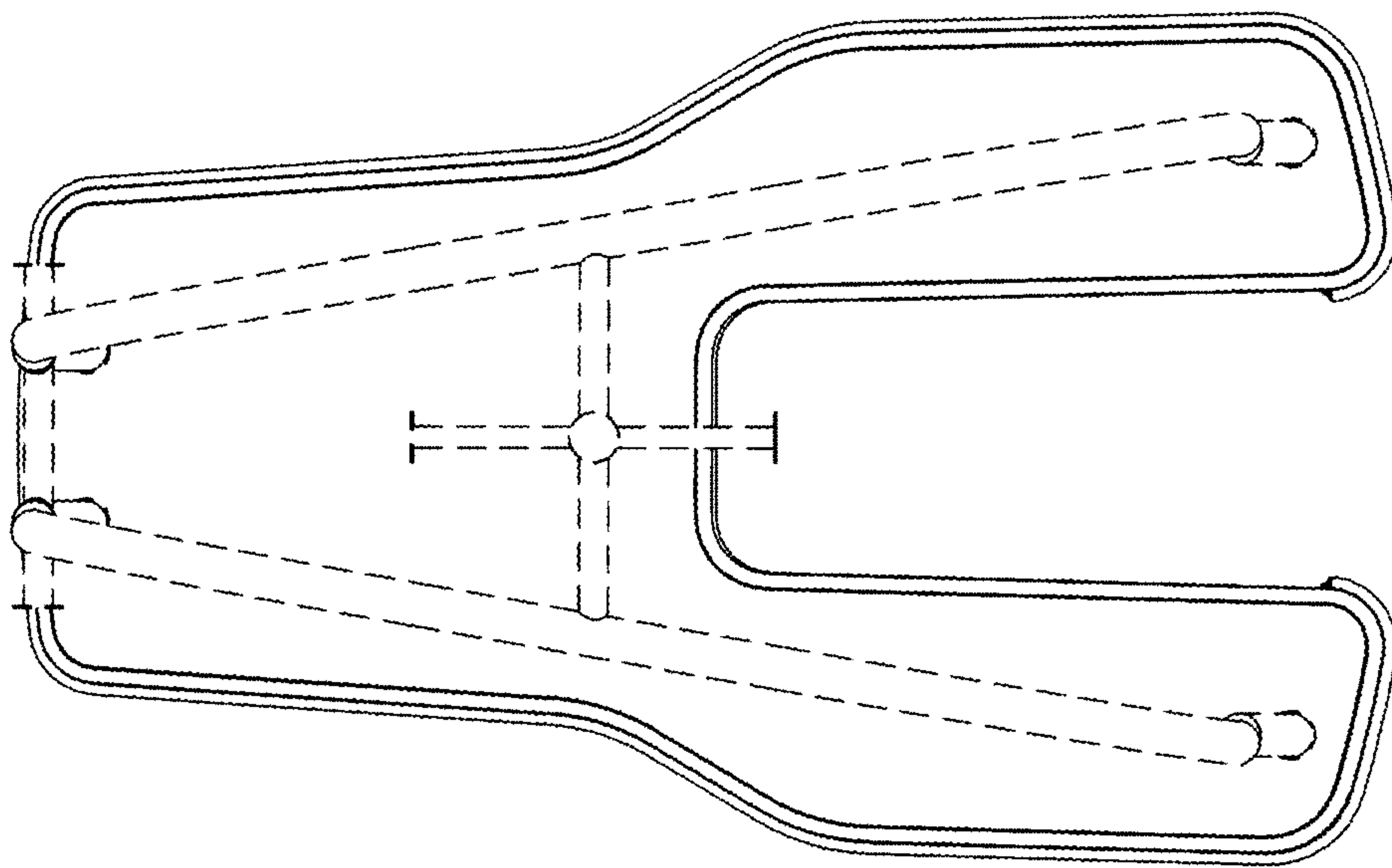




*Fig. 5*

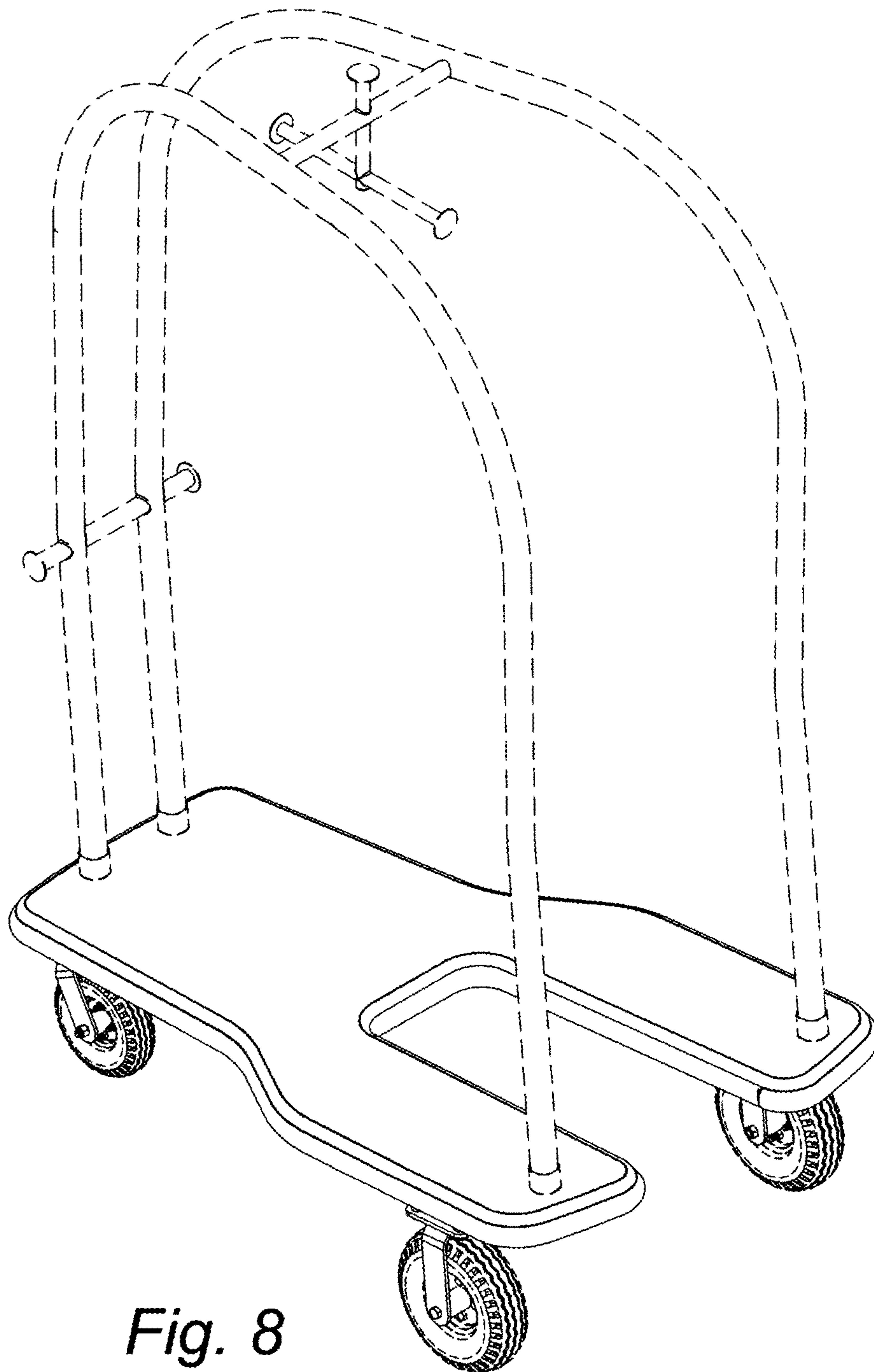


*Fig. 6*

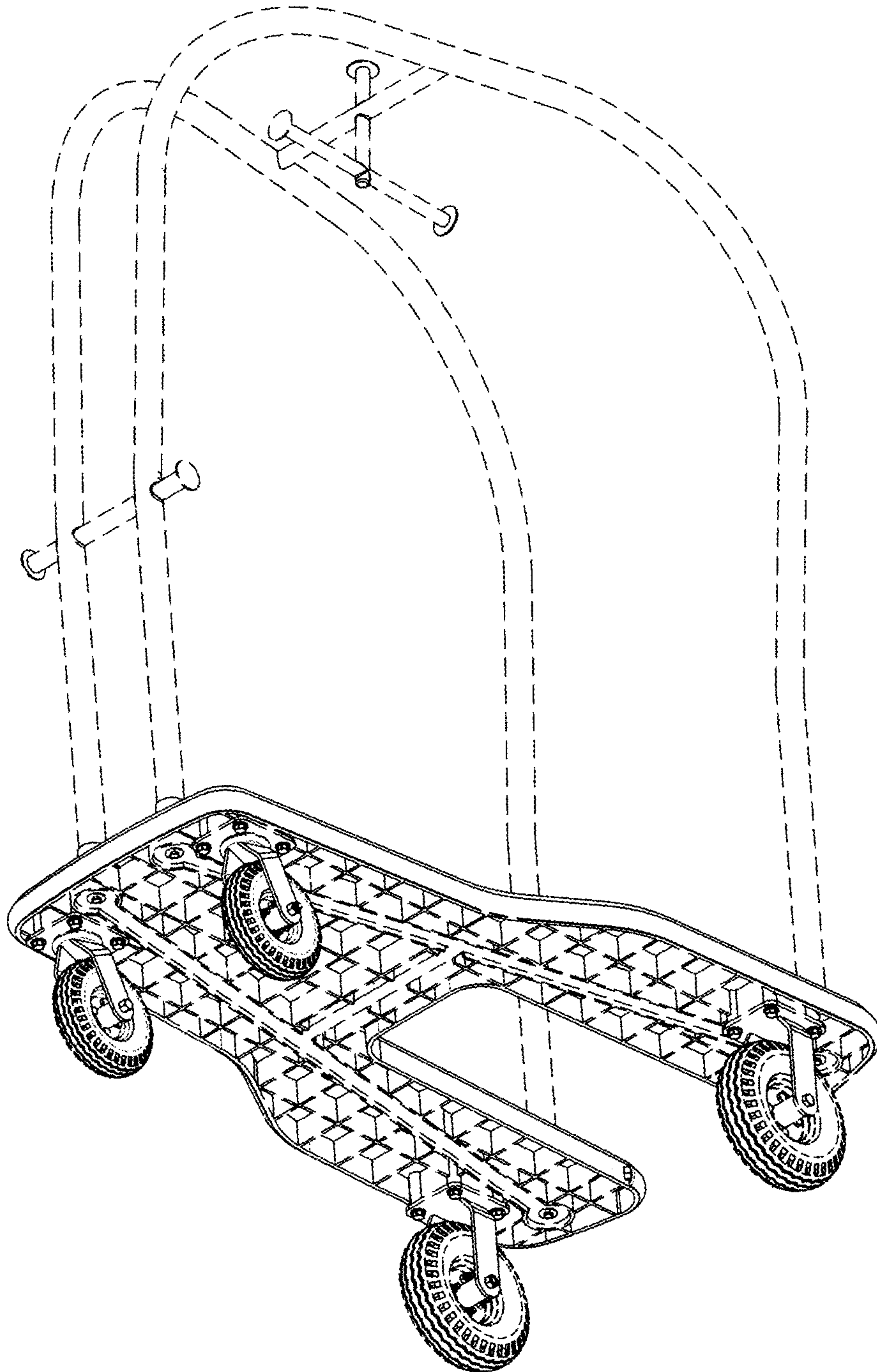


*Fig. 7*





*Fig. 8*



*Fig. 9*

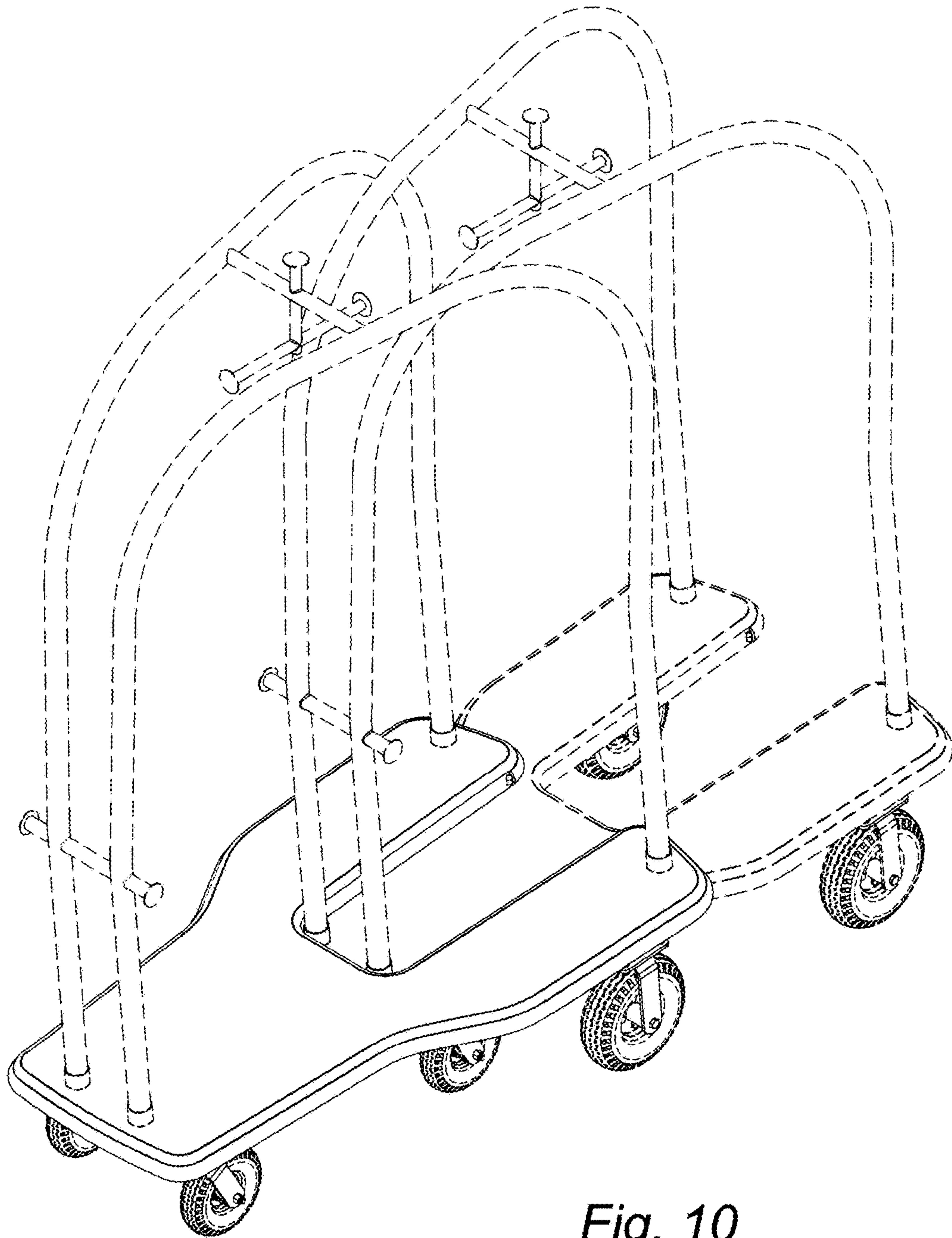


Fig. 10