



US00D805708S

(12) **United States Design Patent**
Kopp et al.

(10) **Patent No.:** **US D805,708 S**

(45) **Date of Patent:** **** Dec. 19, 2017**

- (54) **RECYCLE RECEPTACLE LID**
- (71) Applicant: **Suncast Technologies, LLC**, Palm Beach Gardens, FL (US)
- (72) Inventors: **Robert G. Kopp**, Elburn, IL (US); **Michael R. Vogler**, Oswego, IL (US); **Torrence Anderson**, Overland Park, KS (US); **Michael Thuma**, La Grange, IL (US)
- (73) Assignee: **Suncast Technologies, LLC**, Palm Beach Gardens, FL (US)

D482,834 S *	11/2003	Bennett	D34/11
D566,371 S *	4/2008	Wentz	D34/11
D585,619 S *	1/2009	Presnell	D34/11
D586,521 S *	2/2009	Pho	D34/11
D591,470 S *	4/2009	Tuncel	D34/5
D591,472 S *	4/2009	Zang Wentz Pho	D34/11
D642,462 S *	8/2011	Samartgis	D9/435
D658,058 S *	4/2012	Sanges	D9/436
D659,336 S *	5/2012	Busch	D34/1
D738,588 S *	9/2015	Bergemann	D34/7
D779,461 S *	2/2017	Smith	D14/223
D783,399 S *	4/2017	Williams	A01K 39/0113
				D9/447
D790,337 S *	6/2017	Sofy	D3/232

* cited by examiner

(**) Term: **15 Years**

Primary Examiner — Cynthia Ramirez

(21) Appl. No.: **29/569,005**

(74) *Attorney, Agent, or Firm* — McHale & Slavin, P.A.

(22) Filed: **Jun. 23, 2016**

(57) **CLAIM**

(51) **LOC (10) Cl.** **09-09**
(52) **U.S. Cl.**
USPC **D34/11**

The ornamental design for a recycle receptacle lid, as shown and described.

(58) **Field of Classification Search**
USPC D34/1-11; D9/434, 435, 447; D3/232;
220/733, 908
CPC B65D 2543/00083; B65D 53/02;
B65D 1/34; B65D 1/42
See application file for complete search history.

DESCRIPTION

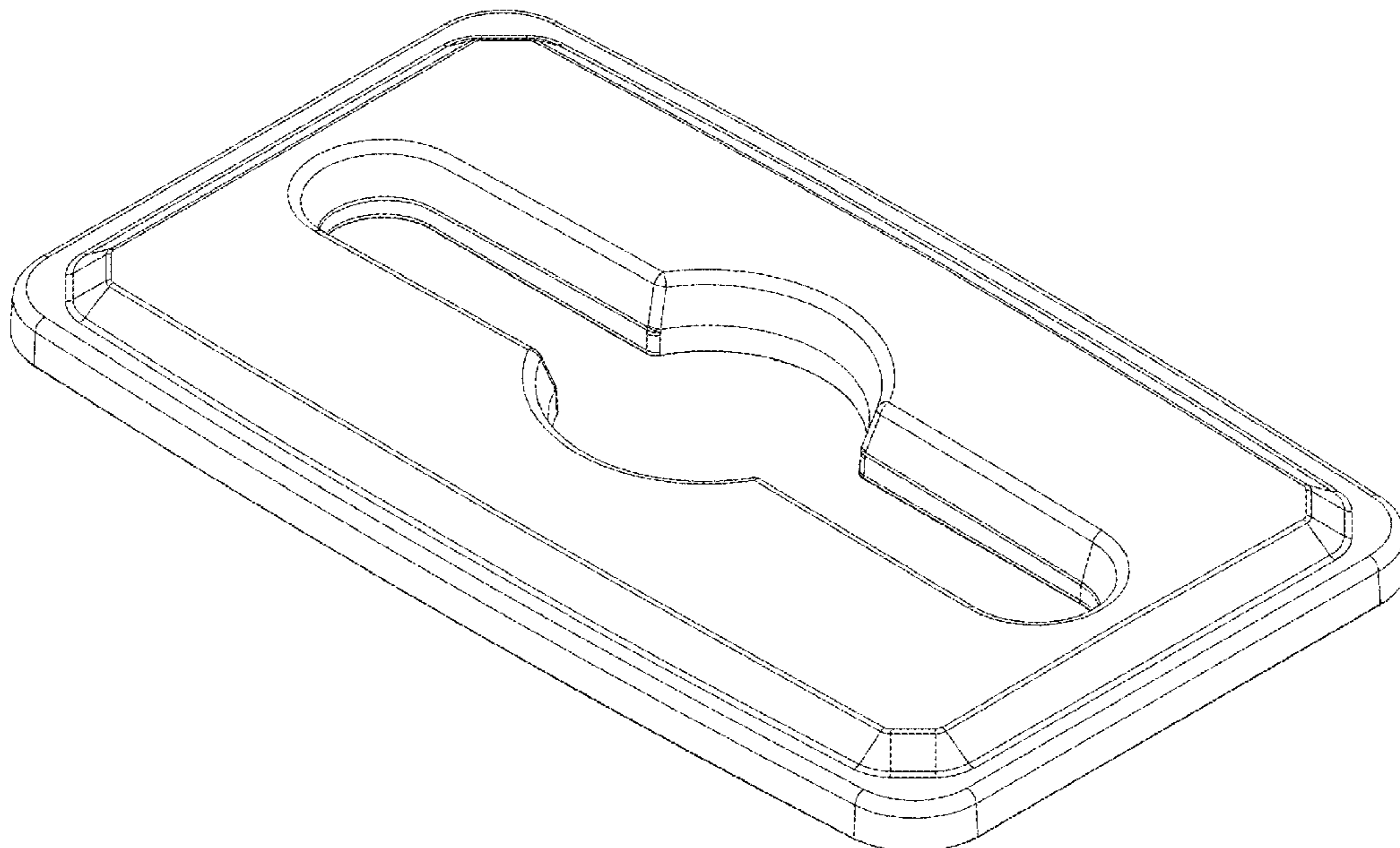
FIG. 1 is a front top right isometric view of the recycle receptacle lid of the present invention;
FIG. 2 is a front view thereof;
FIG. 3 is a rear view thereof;
FIG. 4 is a left side view thereof;
FIG. 5 is a right side view thereof;
FIG. 6 is a top view thereof;
FIG. 7 is a bottom view thereof; and,
FIG. 8 is a bottom perspective view thereof.

(56) **References Cited**

U.S. PATENT DOCUMENTS

D331,133 S *	11/1992	Edwards	D34/10
D411,677 S *	6/1999	Kennamer	D34/10
D481,509 S *	10/2003	Perelli	D34/11

1 Claim, 8 Drawing Sheets



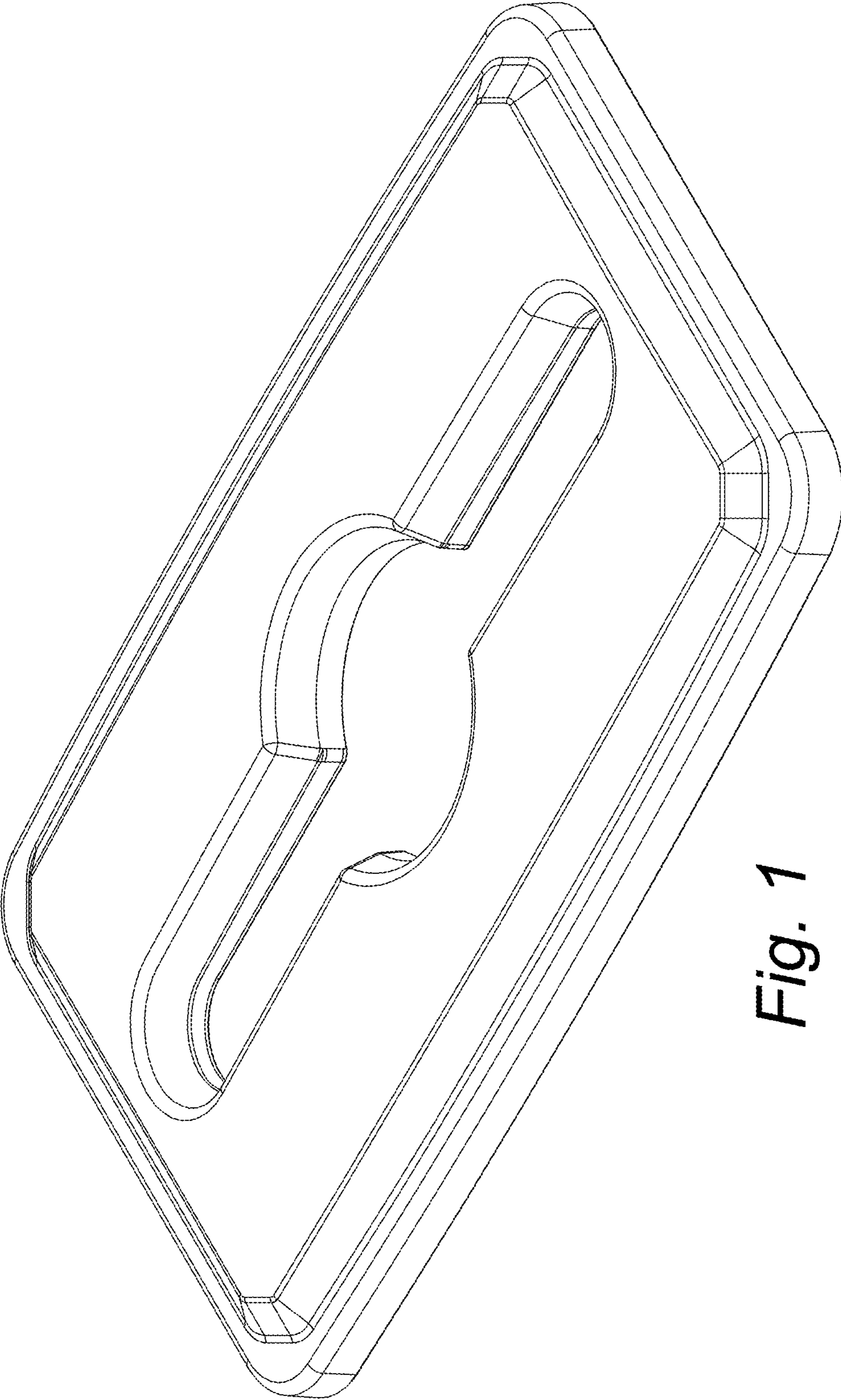


Fig. 1

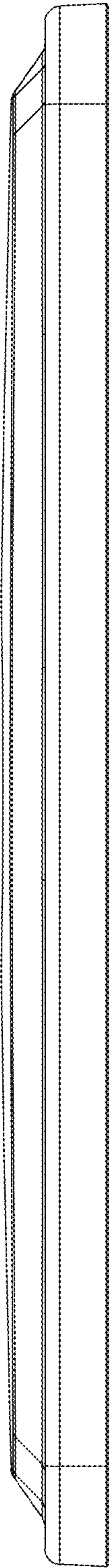


Fig. 2

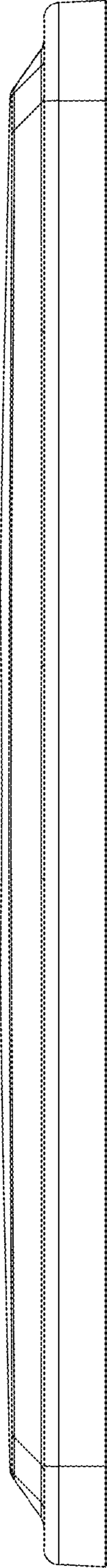


Fig. 3

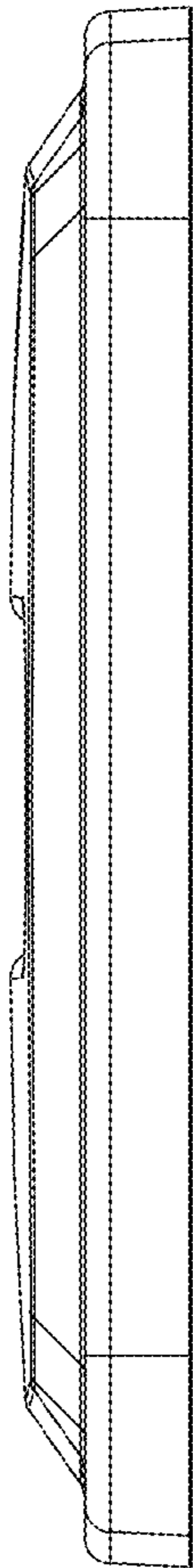


Fig. 4

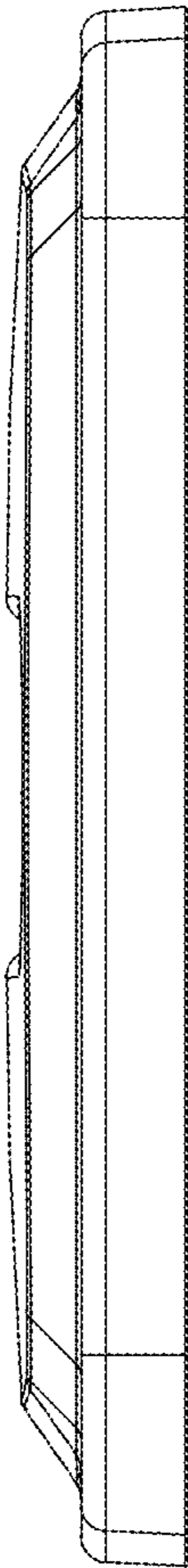


Fig. 5

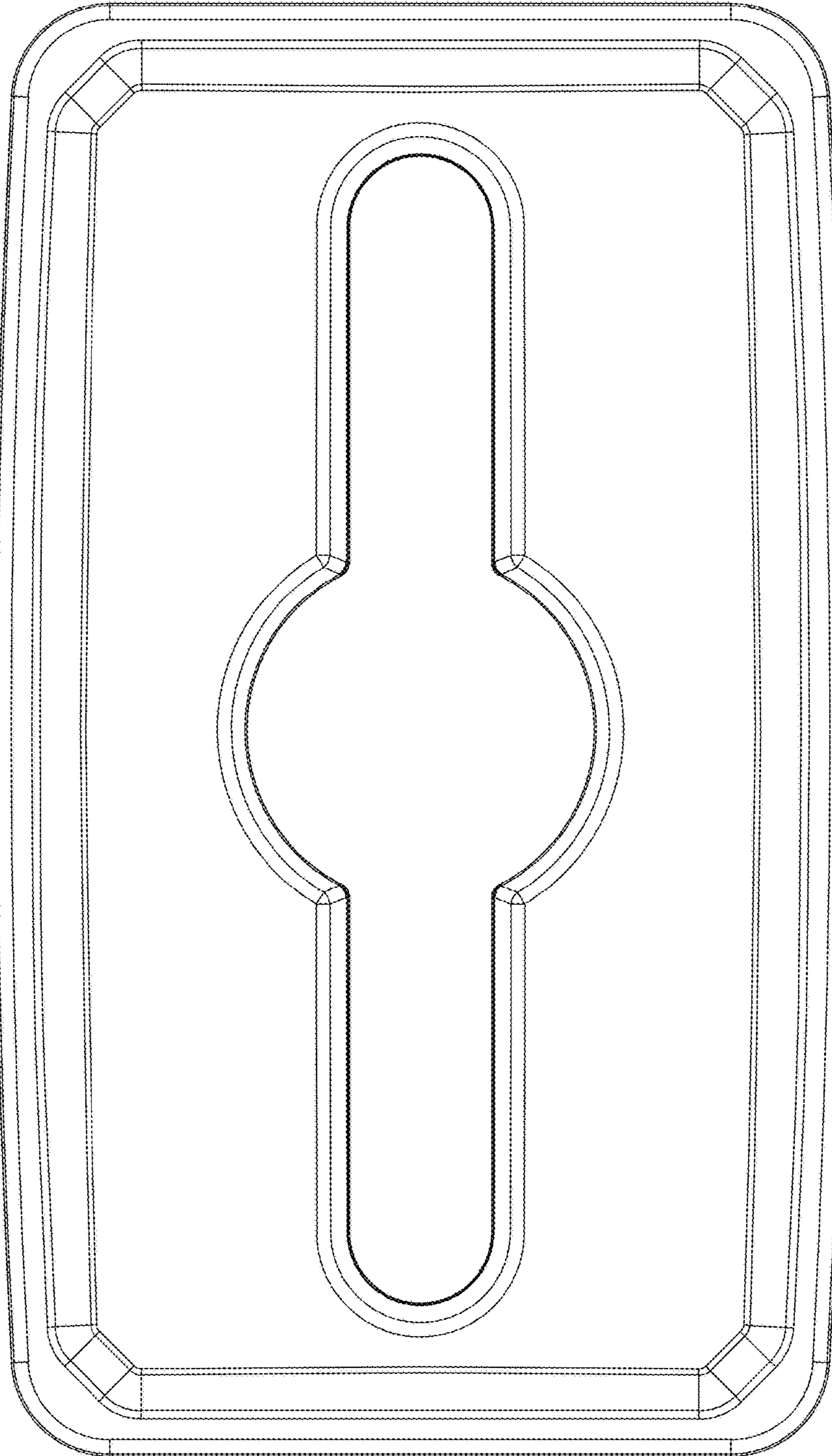


Fig. 6

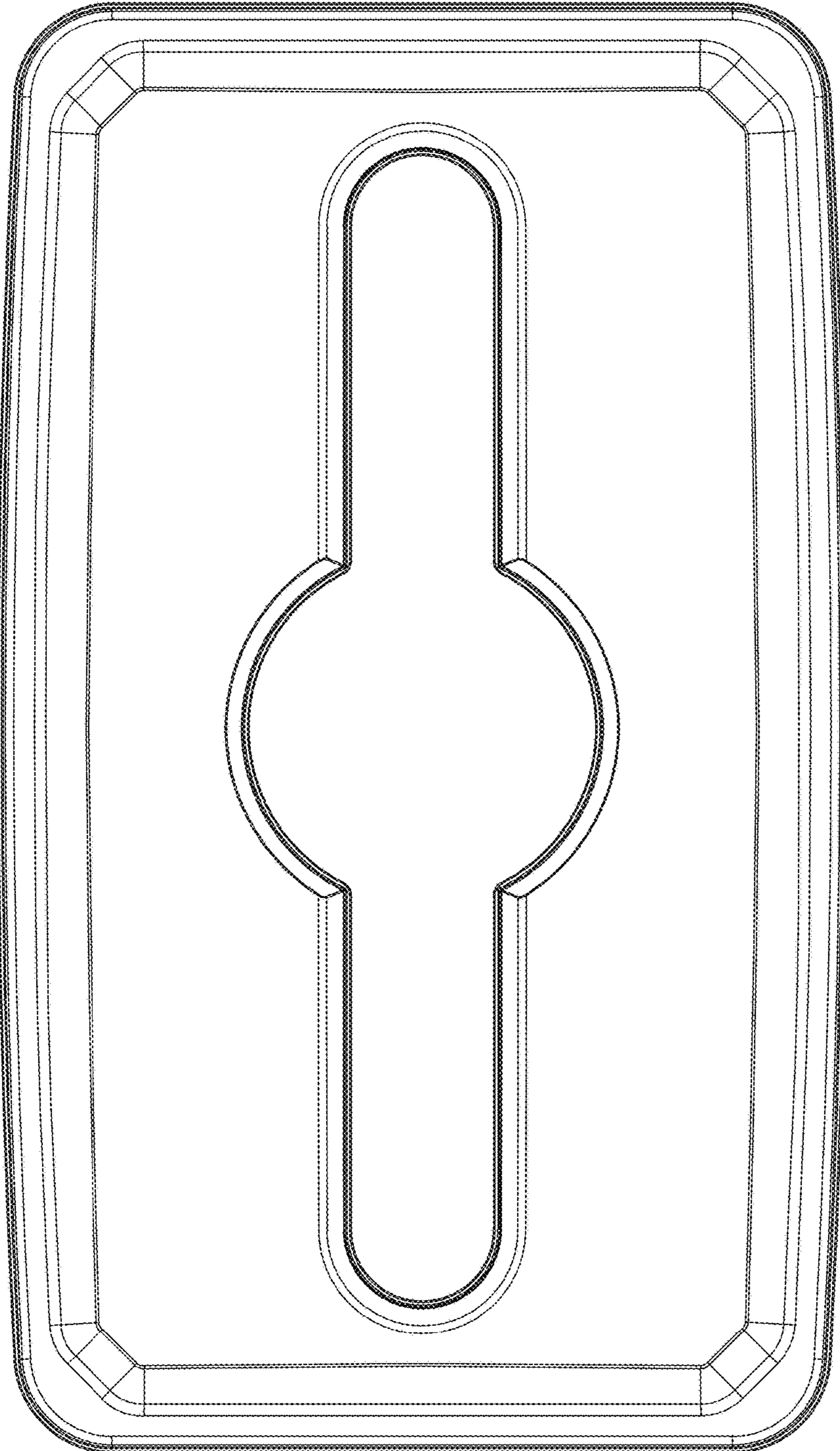


Fig. 7

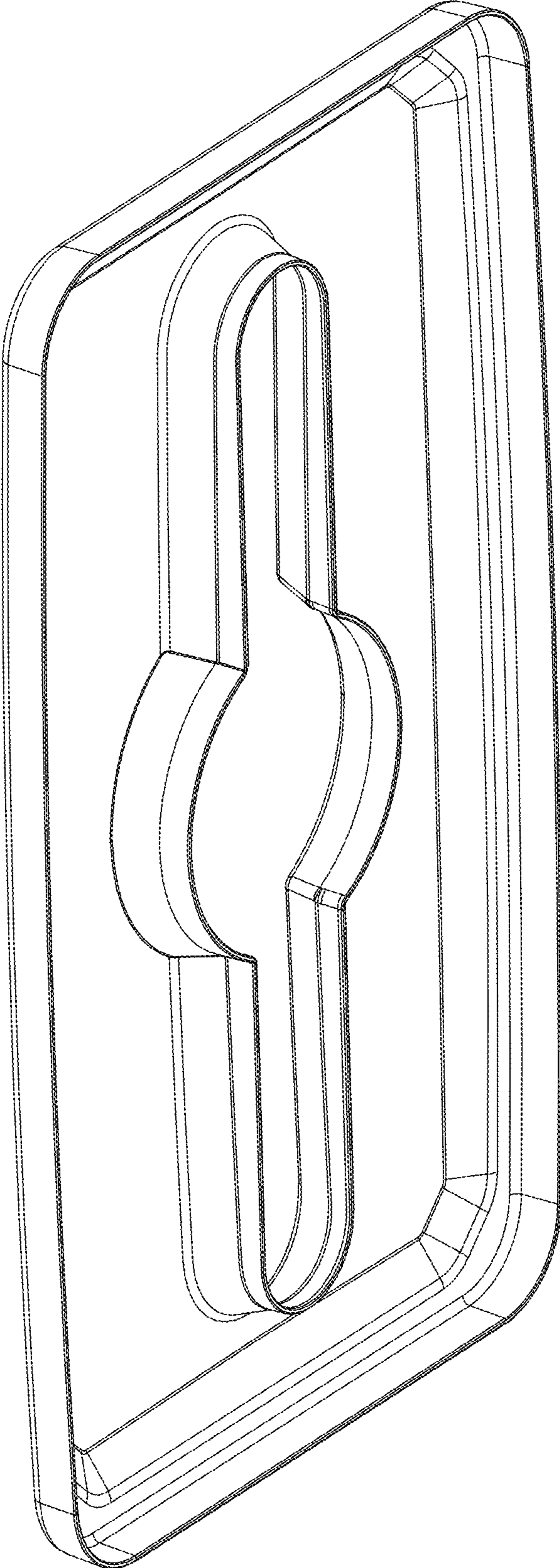


Fig. 8