



US00D805706S

(12) **United States Design Patent**
Kopp et al.

(10) **Patent No.:** **US D805,706 S**

(45) **Date of Patent:** **** Dec. 19, 2017**

- (54) **TRASH RECEPTACLE LID**
- (71) Applicant: **Suncast Technologies, LLC**, Palm Beach Gardens, FL (US)
- (72) Inventors: **Robert G. Kopp**, Elburn, IL (US); **Michael R. Vogler**, Oswego, IL (US); **Torrence Anderson**, Overland Park, KS (US); **Michael Thuma**, La Grange, IL (US)
- (73) Assignee: **Suncast Technologies, LLC**, Palm Beach Gardens, FL (US)
- (**) Term: **15 Years**
- (21) Appl. No.: **29/568,944**
- (22) Filed: **Jun. 22, 2016**
- (51) **LOC (10) Cl.** **09-09**
- (52) **U.S. Cl.**
USPC **D34/11**
- (58) **Field of Classification Search**
USPC D34/1-11; D9/434, 435, 447; D3/232; 220/733, 908
CPC B65D 2543/00083; B65D 53/02; B65D 1/34; B65D 1/42
See application file for complete search history.

- D566,371 S * 4/2008 Wentz D34/11
- D585,619 S * 1/2009 Presnell D34/11
- D586,521 S * 2/2009 Pho D34/11
- D591,470 S * 4/2009 Tuncel D34/5
- D591,472 S * 4/2009 Zang Wentz Pho D34/11
- D642,462 S * 8/2011 Samartgis D9/435
- D658,058 S * 4/2012 Sanges D9/436
- D659,336 S * 5/2012 Busch D34/1
- D738,588 S * 9/2015 Bergemann D34/7
- D779,461 S * 2/2017 Smith D14/223
- D783,399 S * 4/2017 Williams A01K 39/0113
D9/447
- D790,337 S * 6/2017 Sofy D3/232

* cited by examiner

Primary Examiner — Cynthia Ramirez
(74) *Attorney, Agent, or Firm* — McHale & Slavin, P.A.

(57) **CLAIM**

The ornamental design for a trash receptacle lid, as shown and described.

DESCRIPTION

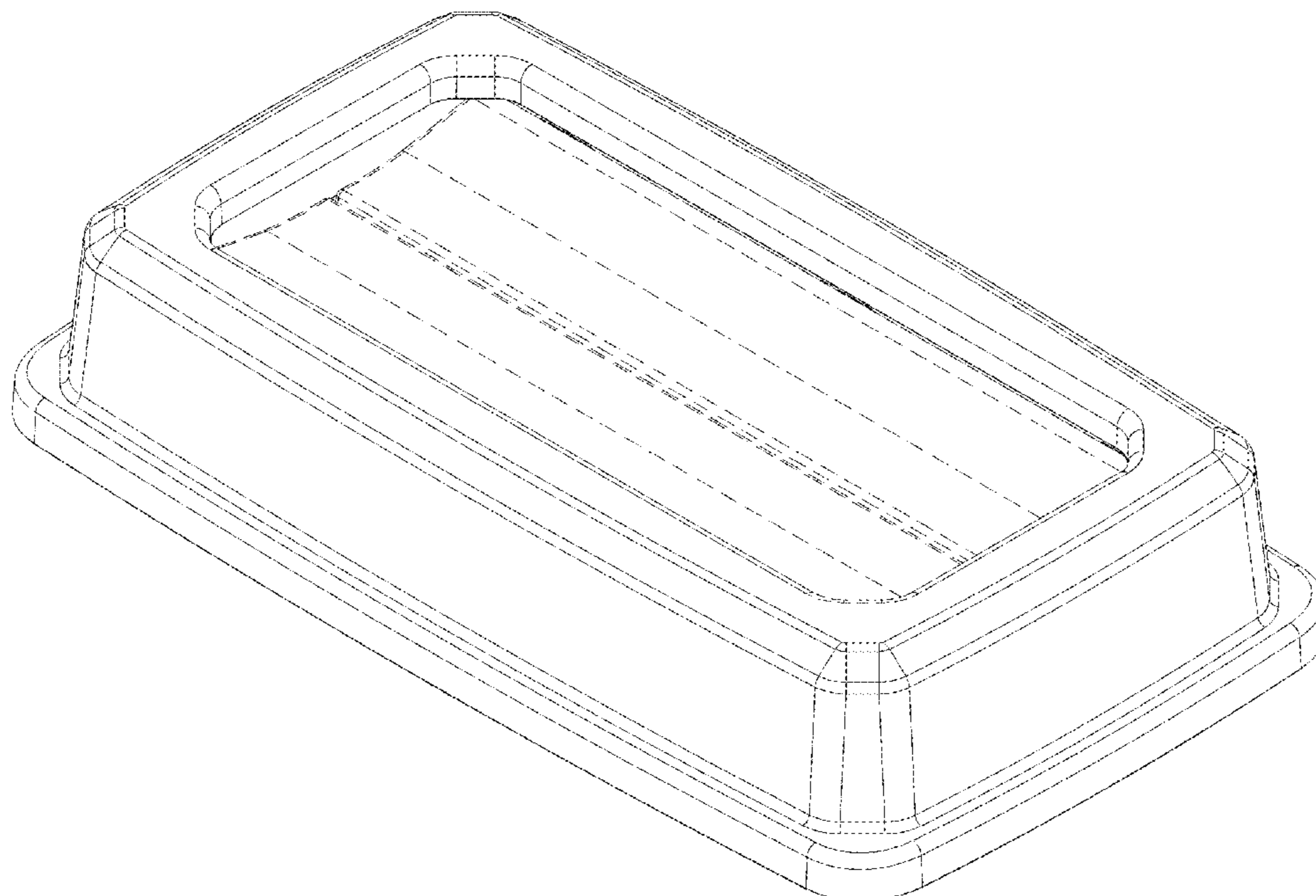
FIG. 1 is a front top right isometric view of the trash receptacle lid of the present invention;
FIG. 2 is a front view thereof;
FIG. 3 is a rear view thereof;
FIG. 4 is a left side view thereof;
FIG. 5 is a right side view thereof;
FIG. 6 is a top view thereof;
FIG. 7 is a bottom view thereof; and,
FIG. 8 is a bottom perspective view thereof.
The portions of the trash receptacle lid illustrated in broken lines form no part of the claimed design.

1 Claim, 8 Drawing Sheets

(56) **References Cited**

U.S. PATENT DOCUMENTS

- D331,133 S * 11/1992 Edwards D34/10
- D411,677 S * 6/1999 Kennamer D34/10
- D481,509 S * 10/2003 Perelli D34/11
- D482,834 S * 11/2003 Bennett D34/11



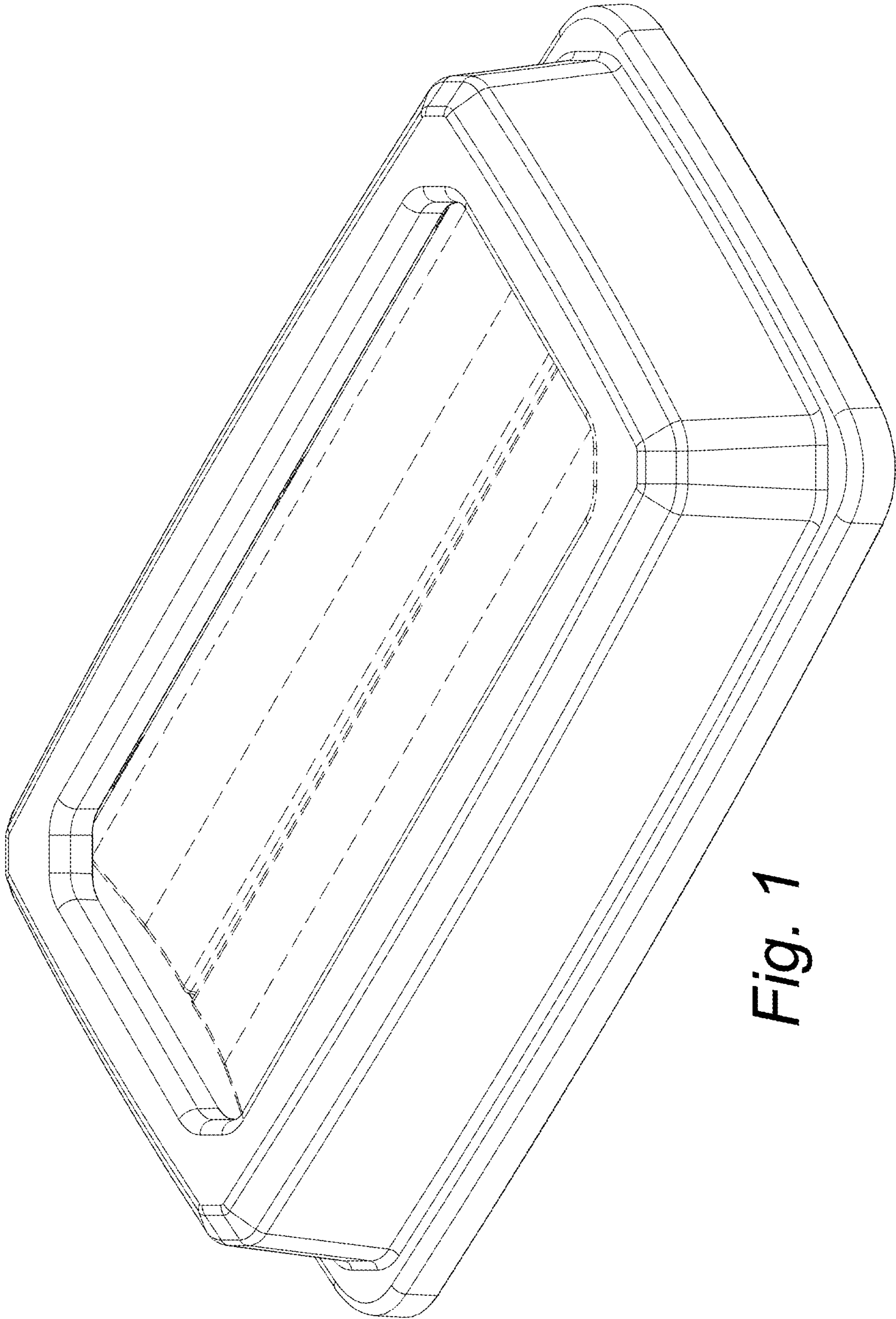


Fig. 1

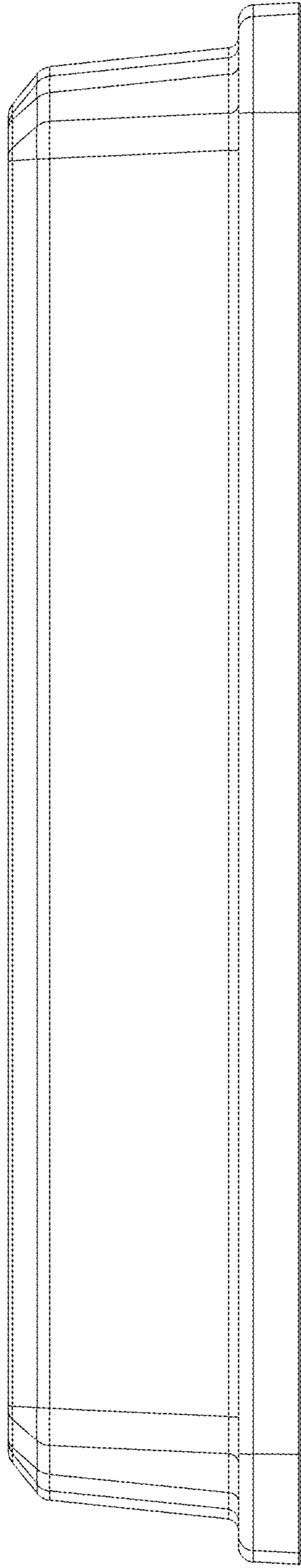


Fig. 2

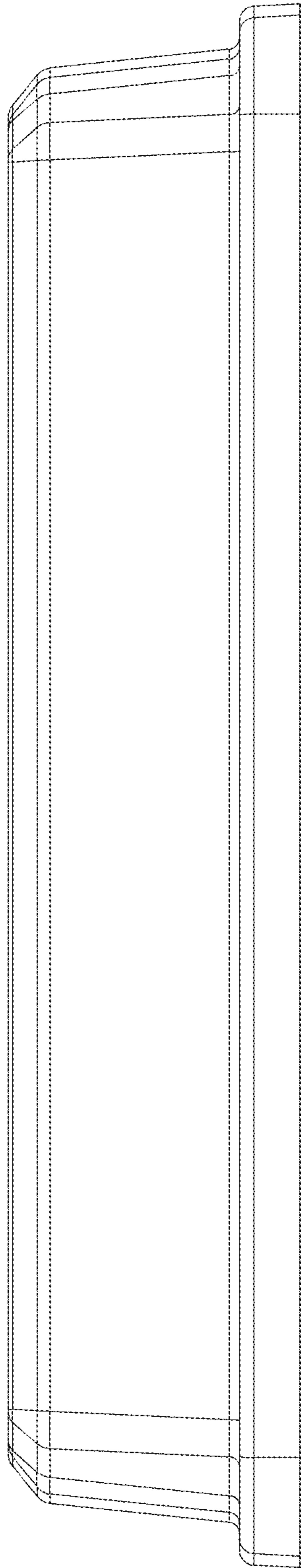


Fig. 3

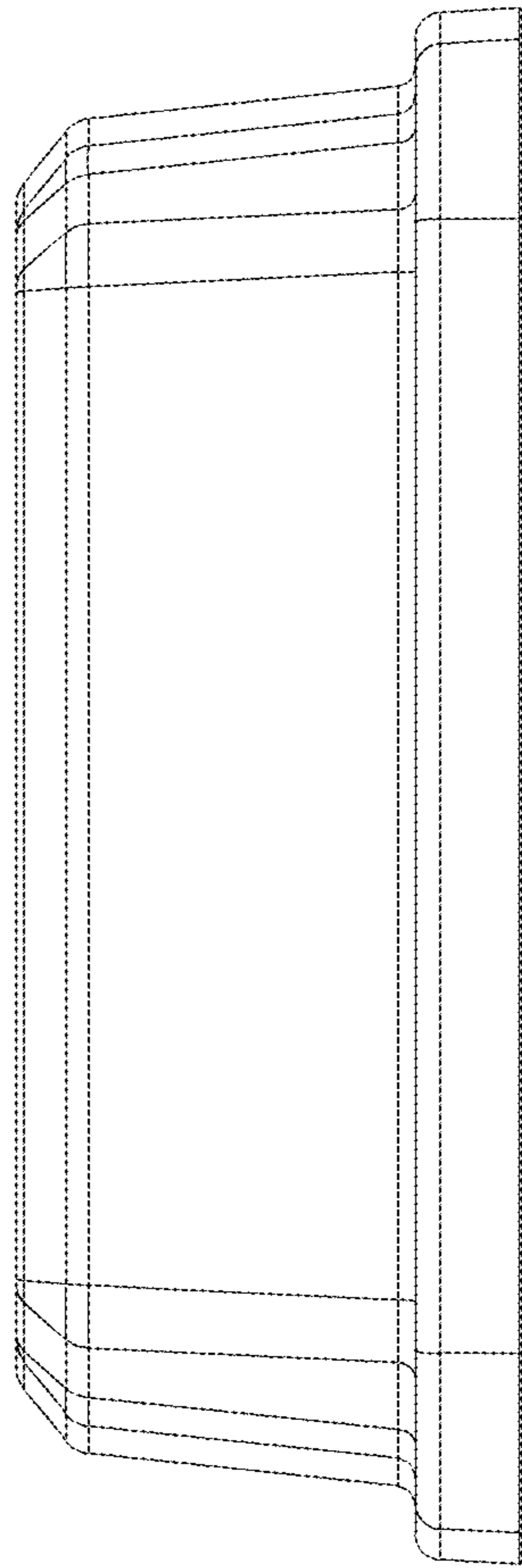


Fig. 4

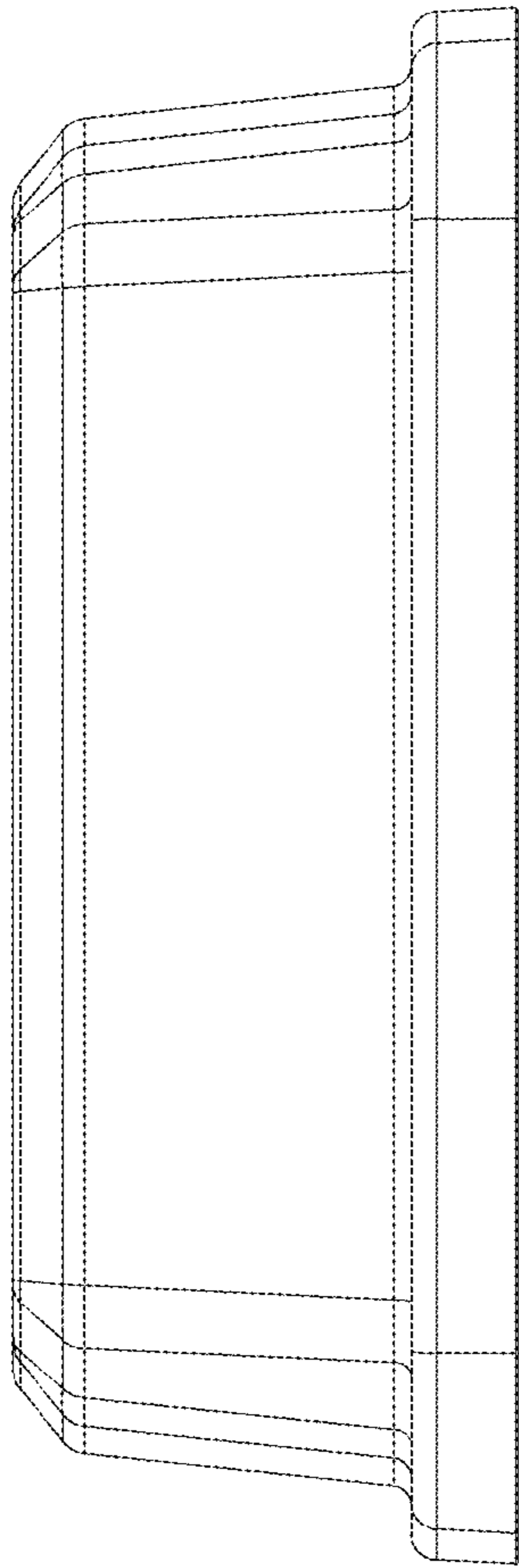


Fig. 5

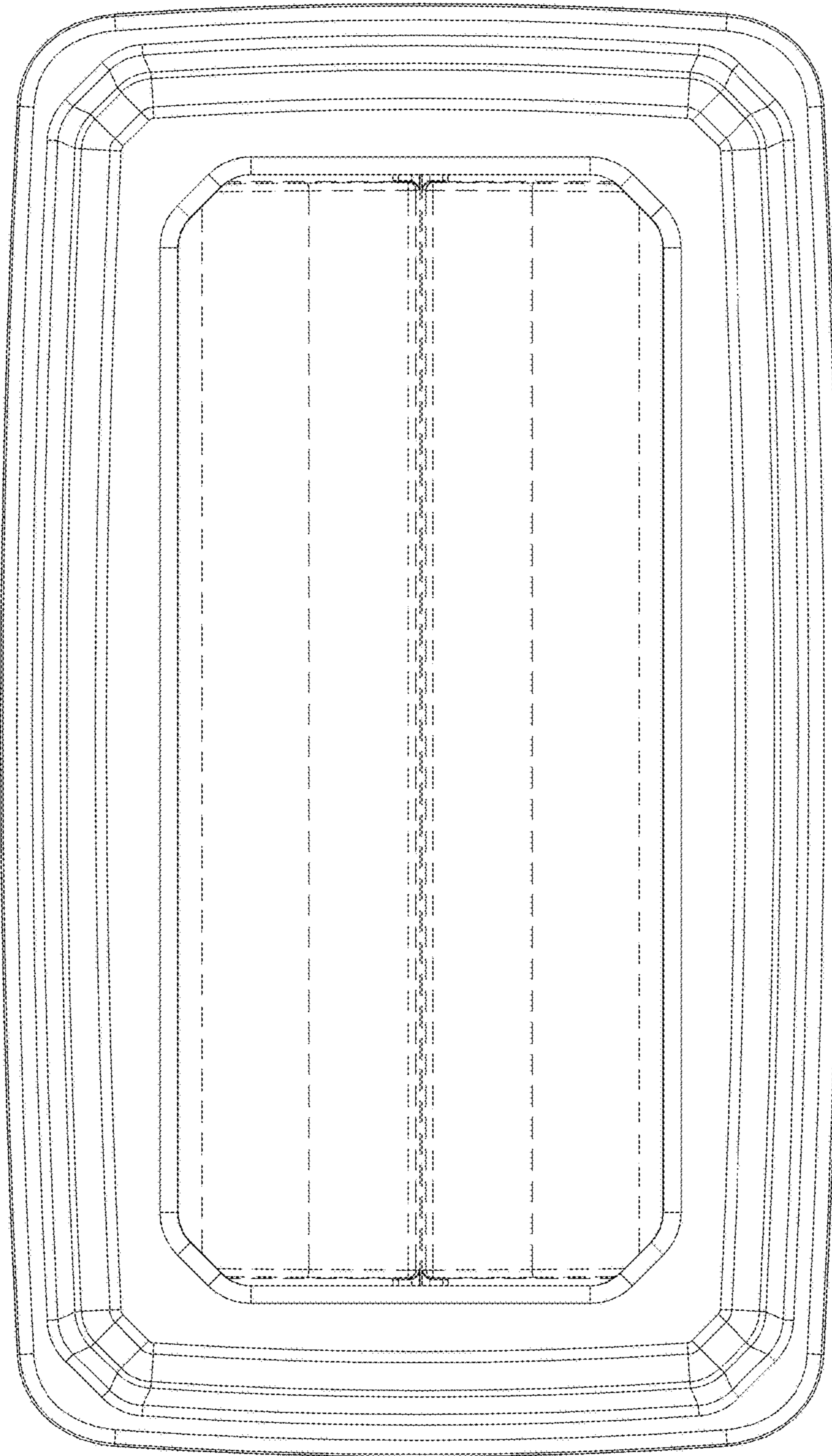


Fig. 6

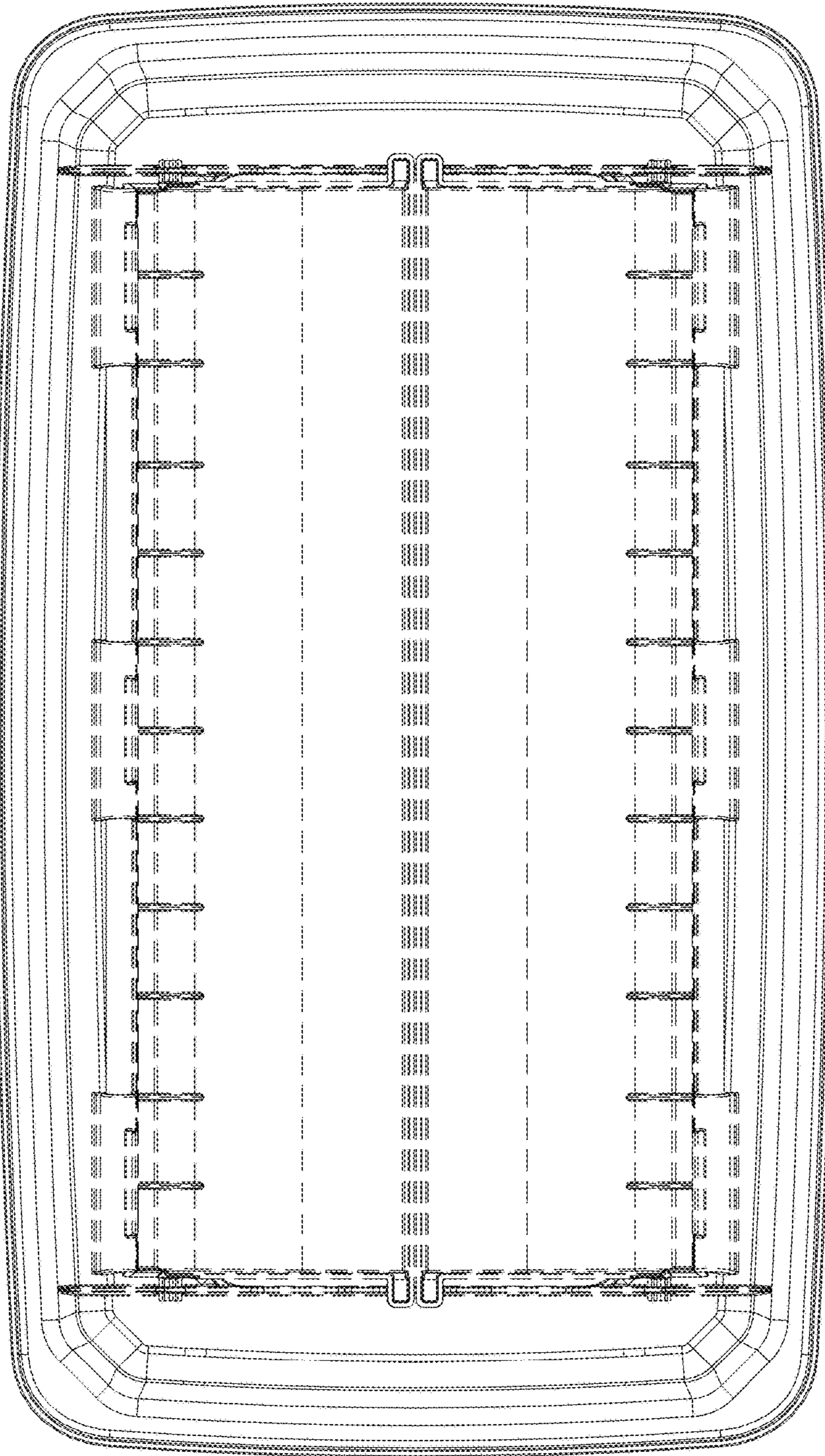


Fig. 7

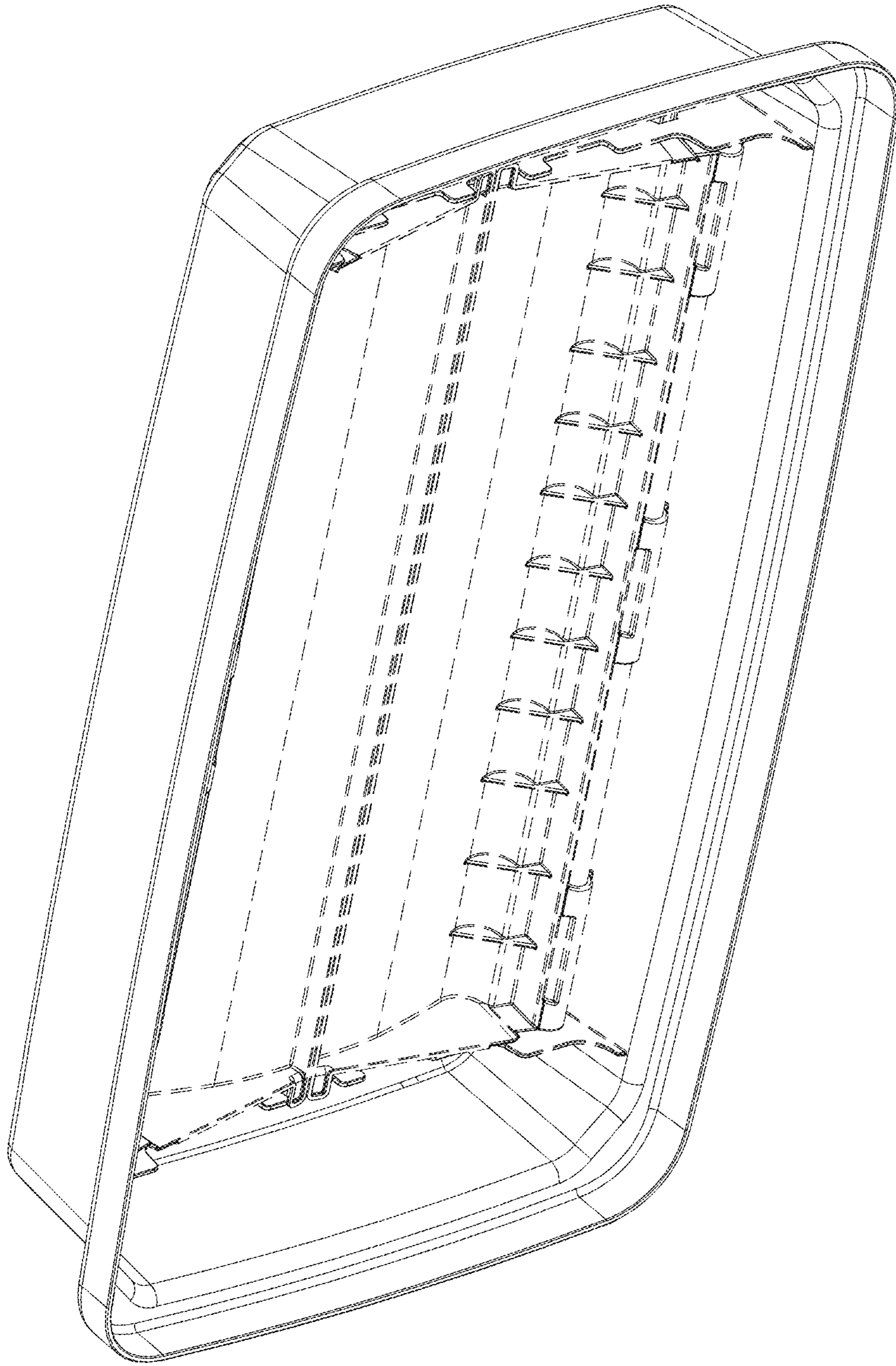


Fig. 8