



US00D805703S

(12) **United States Design Patent** (10) **Patent No.:** **US D805,703 S**
Yoon et al. (45) **Date of Patent:** **** Dec. 19, 2017**

(54) **DOOR FOR DRUM WASHING MACHINE**

(71) Applicant: **SAMSUNG ELECTRONICS CO., LTD.**, Suwon-si (KR)

(72) Inventors: **Sanghun Yoon**, Seoul (KR); **Jaewon Choi**, Seoul (KR)

(73) Assignee: **SAMSUNG ELECTRONICS CO., LTD.**, Gyeonggi-Do (KR)

(**) Term: **15 Years**

(21) Appl. No.: **29/583,822**

(22) Filed: **Nov. 9, 2016**

(30) **Foreign Application Priority Data**

May 9, 2016 (KR) 30-2016-0021808

(51) **LOC (10) Cl.** **15-05**

(52) **U.S. Cl.**
USPC **D32/25**

(58) **Field of Classification Search**
USPC D32/1, 5, 6, 8, 12, 25, 28, 29
CPC D06F 33/02; D06F 39/02; D06F 2204/065;
D06F 25/00; D06F 35/006; D06F 58/00;
D06F 58/02; D06F 58/04; D06F 58/20;
D06F 23/04; G05B 19/042
See application file for complete search history.

(56) **References Cited**

U.S. PATENT DOCUMENTS

D501,966 S * 2/2005 Hwang D32/25
D506,045 S * 6/2005 No D32/25
D515,260 S * 2/2006 Ha D32/25
D544,157 S * 6/2007 Crookshanks D32/25
D582,107 S * 12/2008 Ha D32/6
D592,367 S * 5/2009 Crookshanks D32/25
D596,813 S * 7/2009 Gruetzke et al.
D616,163 S * 5/2010 Nam D32/25

D622,918 S * 8/2010 Choi D32/25
D627,114 S * 11/2010 Jeon D32/6
D631,623 S * 1/2011 Chung D32/6
D634,492 S * 3/2011 Chung D32/6
D635,313 S * 3/2011 Jeon D32/6
D646,859 S * 10/2011 DeSalvo D32/25
D688,429 S * 8/2013 Meda D32/25
D688,430 S * 8/2013 Meda D32/25
D700,409 S * 2/2014 Takahashi D32/25
D703,886 S * 4/2014 Ha D32/6

(Continued)

FOREIGN PATENT DOCUMENTS

EM 000162672-0001 3/2004
EM 000827753-0001 10/2007

(Continued)

Primary Examiner — Michael A. Pratt
Assistant Examiner — Michelle E Wilson
(74) *Attorney, Agent, or Firm* — Cantor Colburn LLP

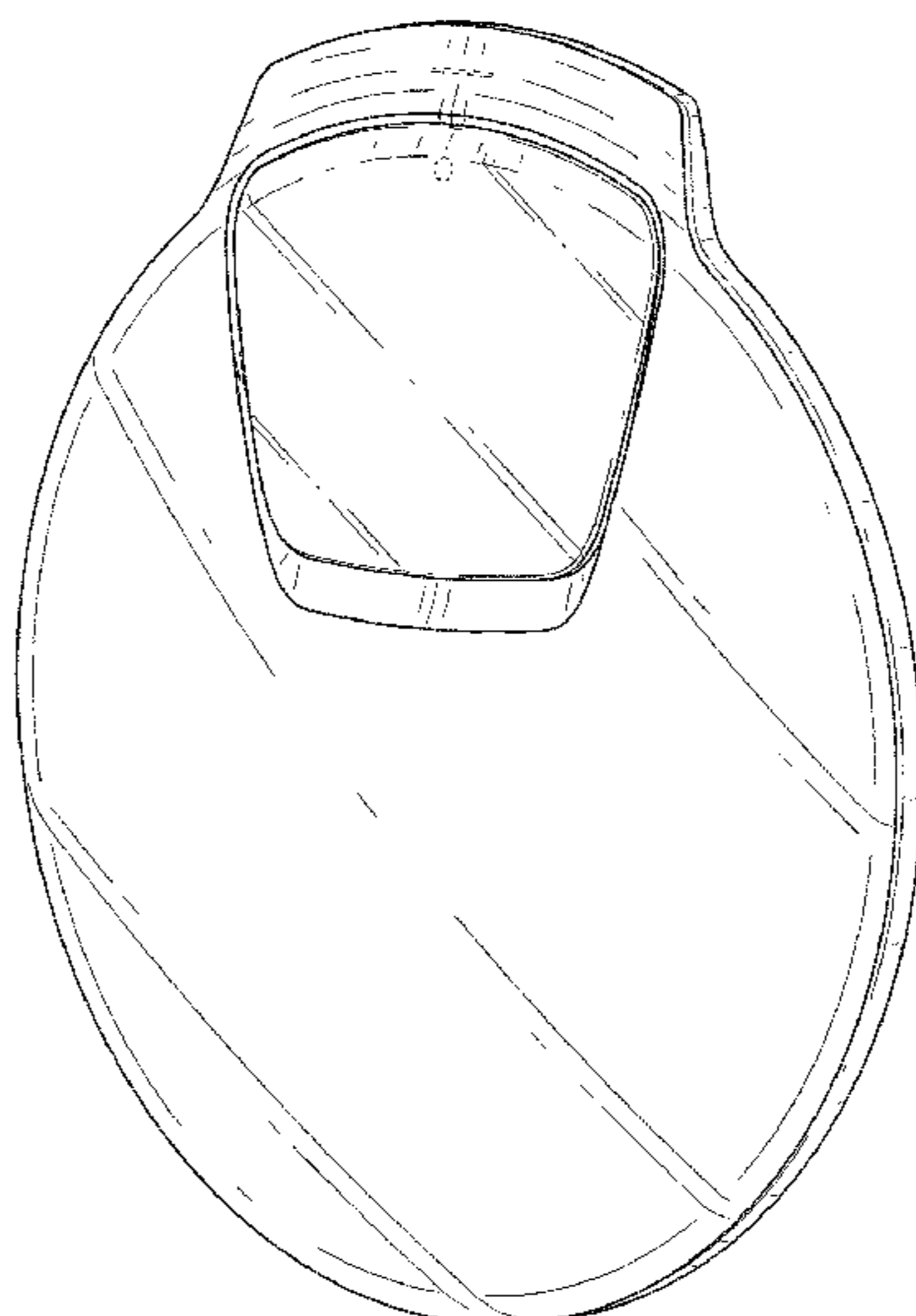
(57) **CLAIM**

The ornamental design for a door for drum washing machine, as shown and described.

DESCRIPTION

FIG. 1 is a perspective view of a door for drum washing machine, showing our new design;
FIG. 2 is a front view thereof;
FIG. 3 is a rear view thereof;
FIG. 4 is a side view thereof;
FIG. 5 is another side view thereof;
FIG. 6 is a top view thereof;
FIG. 7 is a bottom view thereof;
FIG. 8 is a rear perspective view thereof; and,
FIG. 9 is another perspective view thereof in an environment of use.
The broken lines in the figures illustrating portions of the door for drum washing machine and environmental structure form no part of the claimed design.

1 Claim, 9 Drawing Sheets



(56)

References Cited

U.S. PATENT DOCUMENTS

D730,601 S	*	5/2015	Jinnam	D32/25
D730,602 S	*	5/2015	Choi	D32/25
D731,131 S	*	6/2015	Ha	D32/25
D732,767 S	*	6/2015	Ha	D32/25
D767,835 S	*	9/2016	Ha	D32/25

FOREIGN PATENT DOCUMENTS

JP	1348455 S	12/2008
JP	1426170 S	9/2011
JP	1527702 S	5/2015

* cited by examiner

FIG. 1

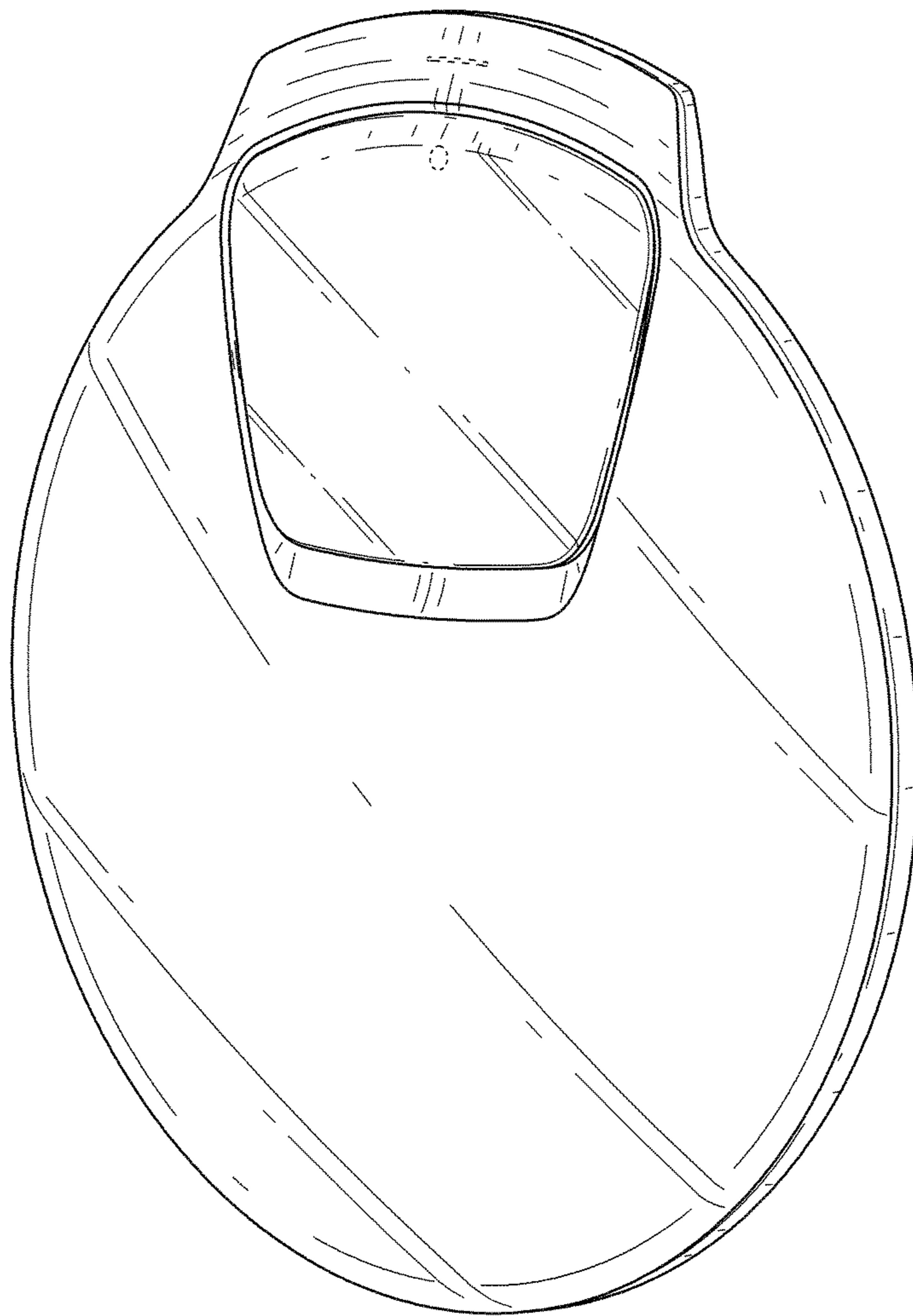


FIG. 2

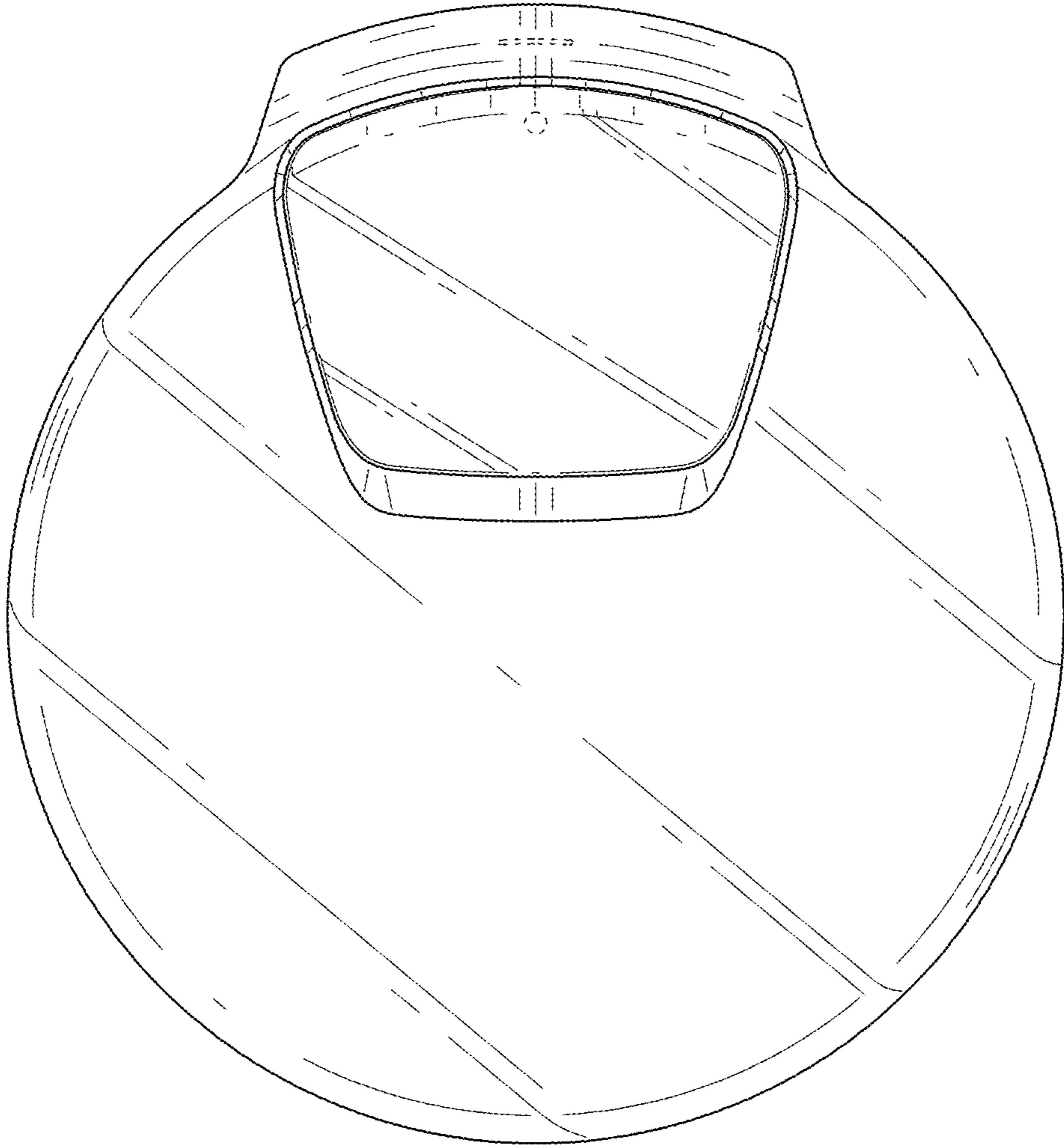


FIG. 3

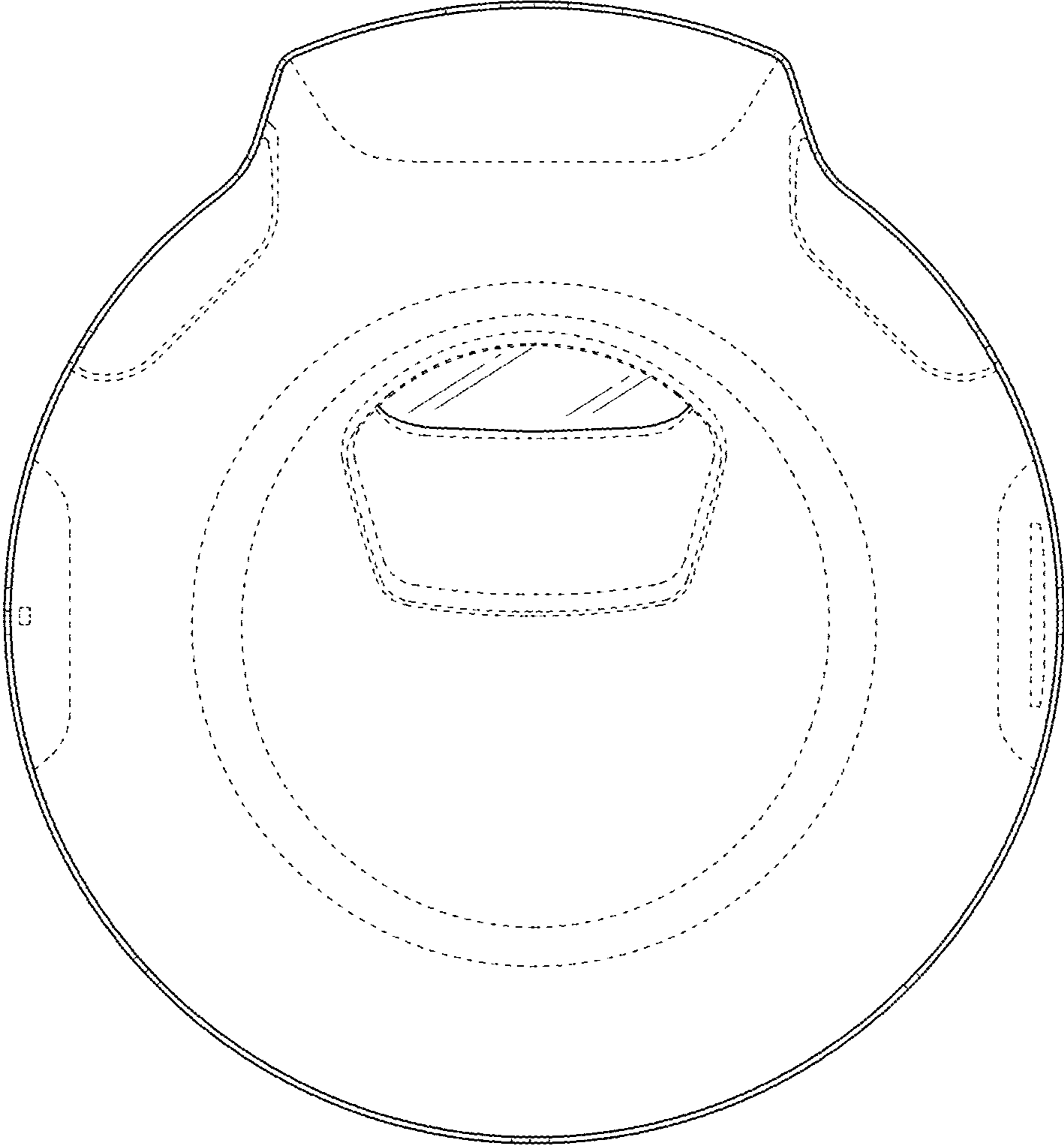


FIG. 4

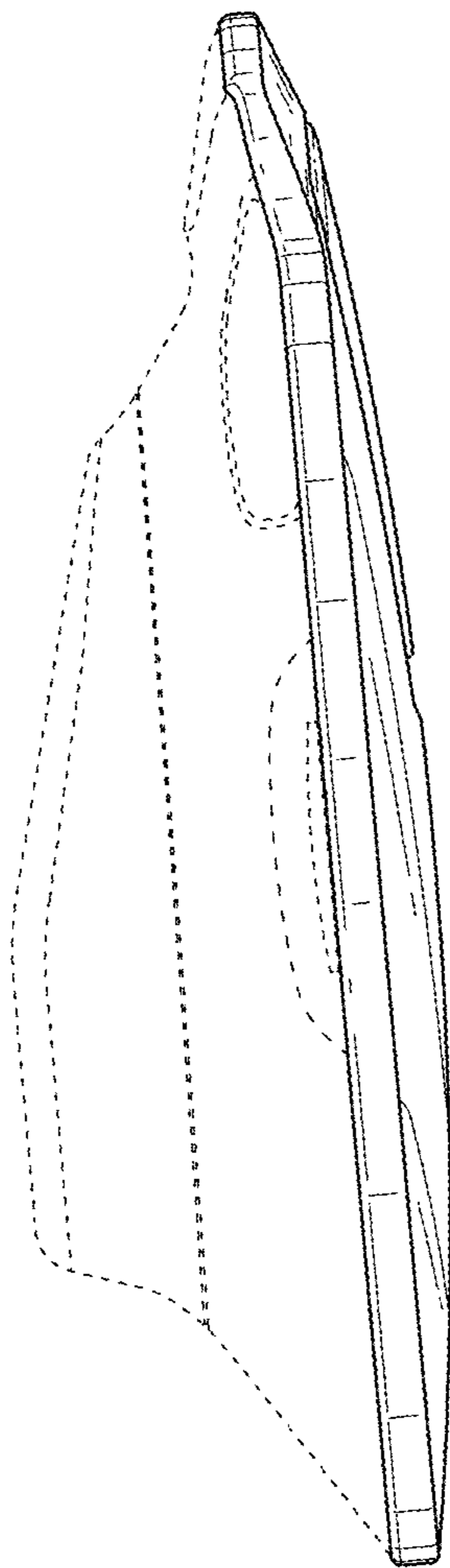


FIG. 5

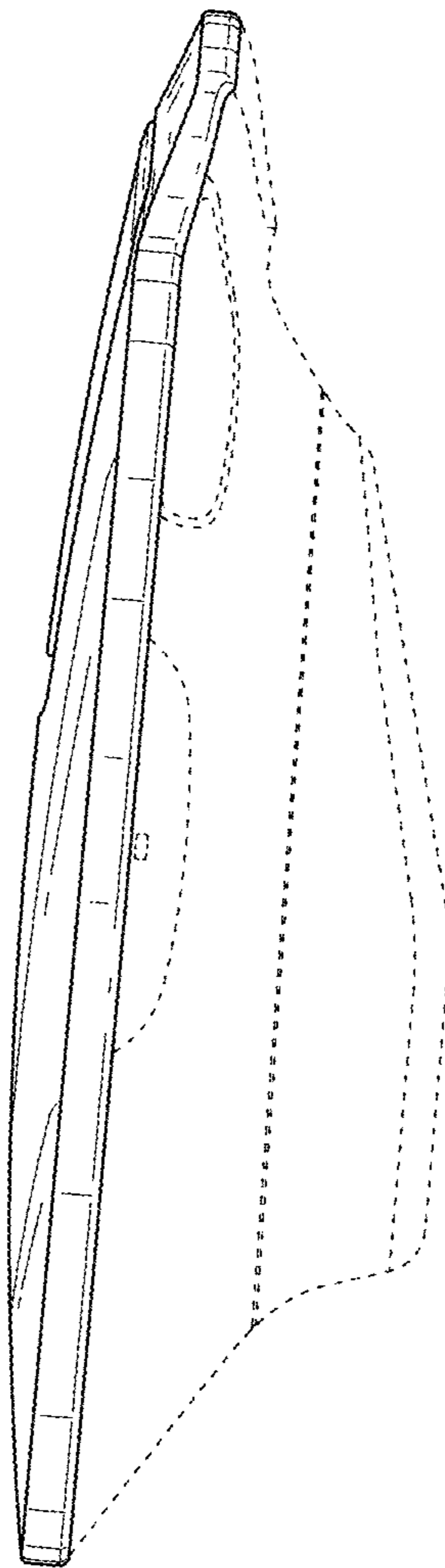


FIG. 6

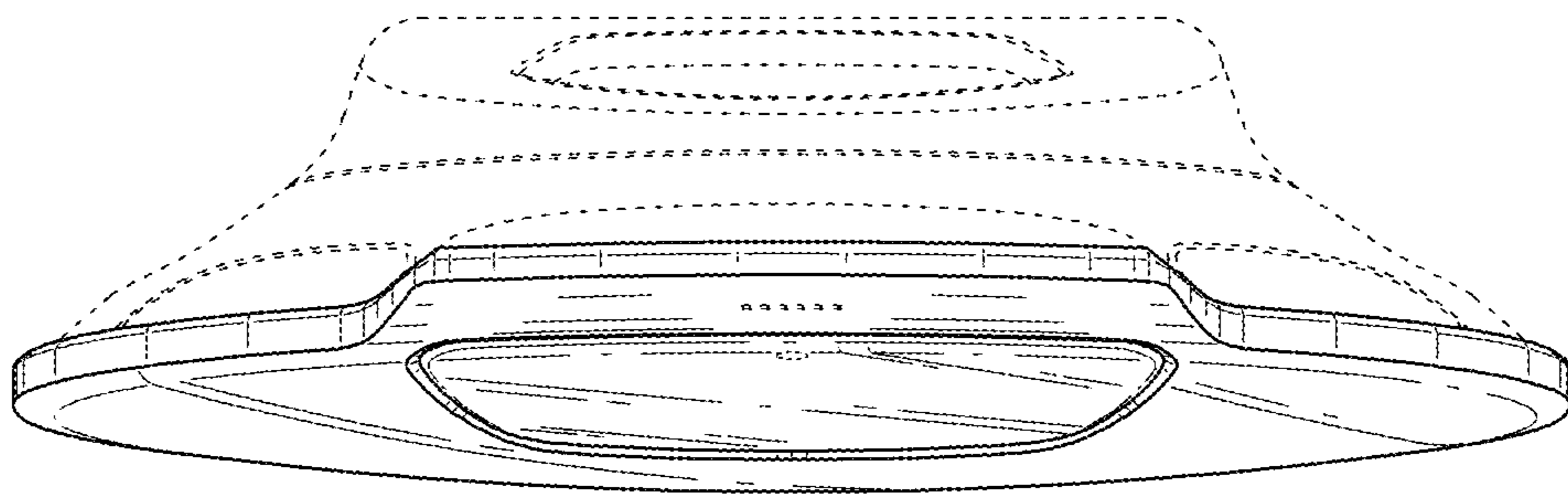


FIG. 7

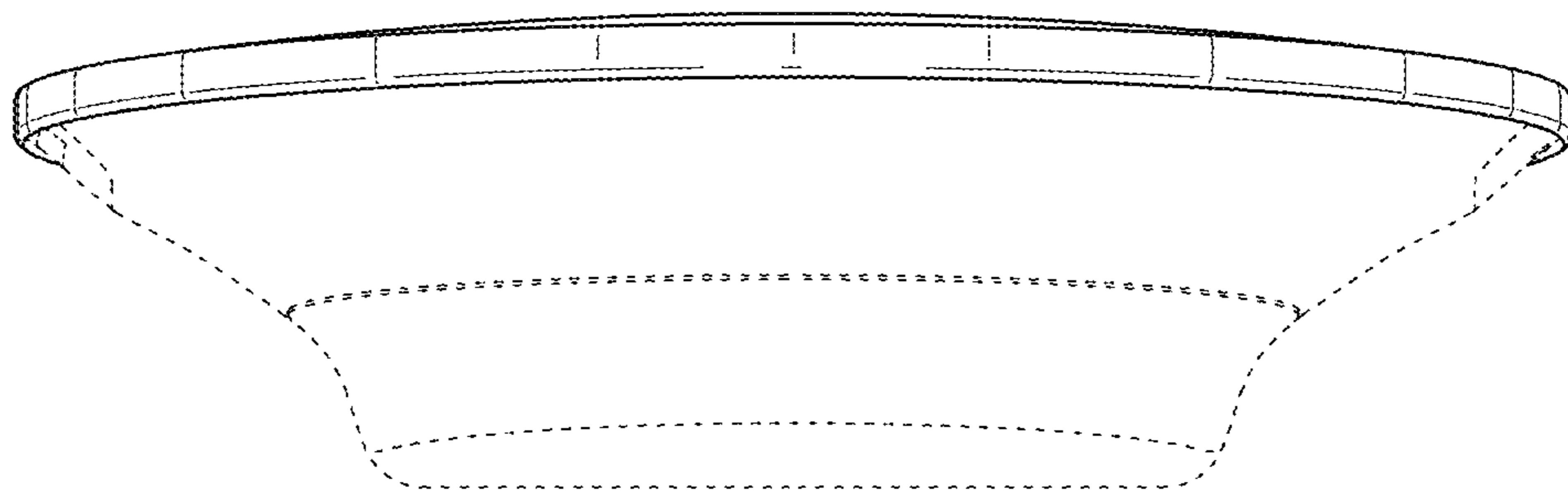


FIG. 8

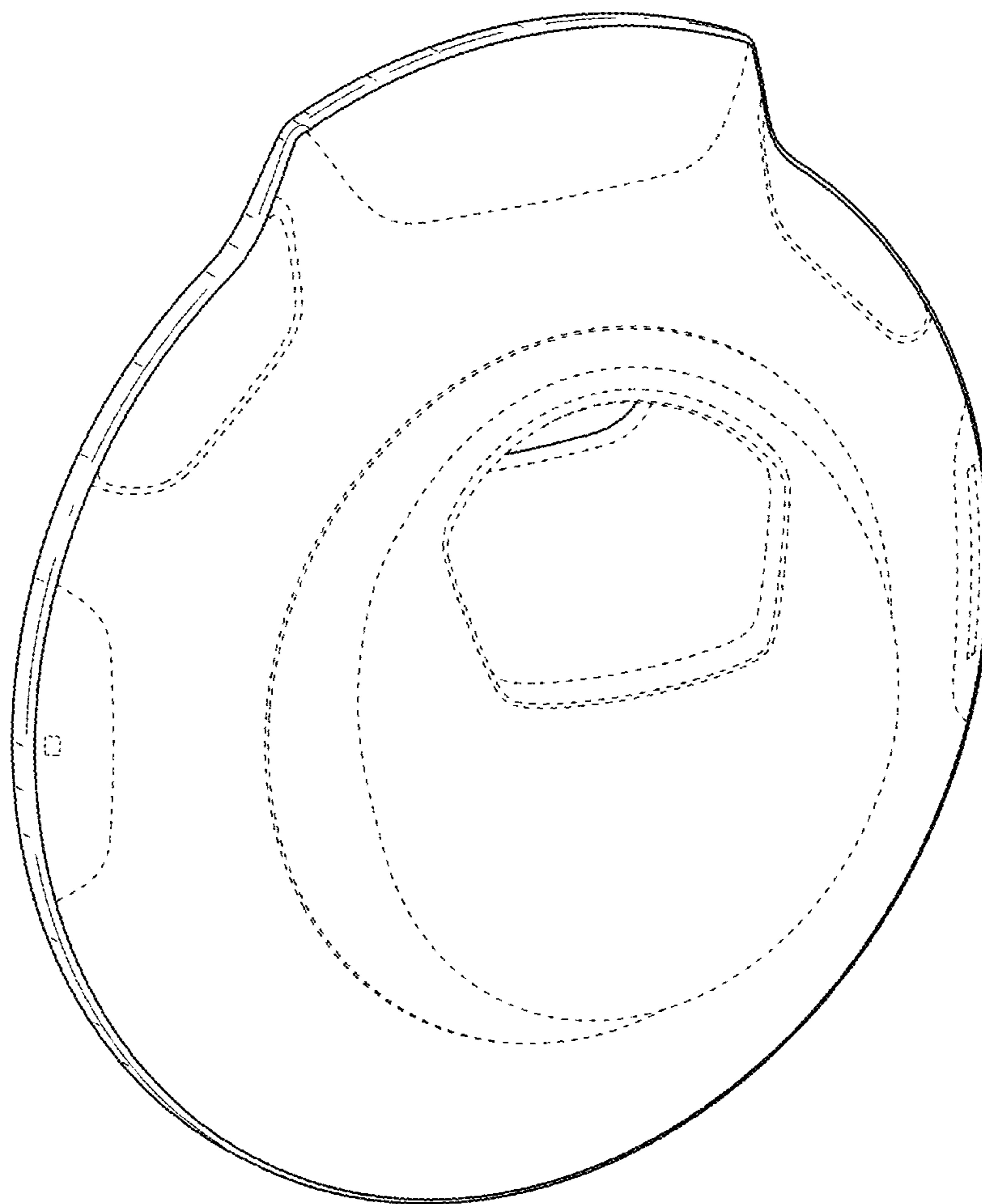


FIG. 9

