



US00D805701S

(12) **United States Design Patent** (10) **Patent No.:** **US D805,701 S**
Li (45) **Date of Patent:** **** Dec. 19, 2017**

(54) **DOG TRAINING TRANSMITTER DEVICE**

(71) Applicant: **Linxian Li**, Beijing (CN)

(72) Inventor: **Linxian Li**, Beijing (CN)

(**) Term: **15 Years**

(21) Appl. No.: **29/559,433**

(22) Filed: **Mar. 28, 2016**

(51) **LOC (10) Cl.** **30-99**

(52) **U.S. Cl.**
USPC **D30/199; D10/104.1**

(58) **Field of Classification Search**
USPC D30/199, 155; 119/718-721, 712, 905,
119/908, 859; D10/104.1, 106.1, 104.2,
D10/106.3; D14/137, 496, 218, 159;
340/573.3, 573.1, 384.2, 825.76, 538.15,
340/538.16, 539.1, 539.11, 539.14,
340/539.15, 539.16, 539.17, 539.18,
340/539.19, 572.7, 572.8, 572.9, 573.2,
340/573.4; D13/168
CPC .. A01K 15/021; A01K 15/022; A01K 15/023;
A01K 15/029; A01K 15/04; A01K 15/00;
A01K 15/02; A01K 15/006; A01K
27/009; A01K 29/005; A01K 29/00
See application file for complete search history.

(56) **References Cited**

U.S. PATENT DOCUMENTS

D192,360 S * 3/1962 Kleeberg D14/137
D433,001 S * 10/2000 Haase D14/137
D434,401 S * 11/2000 Haase D14/137
D445,706 S * 7/2001 Myers D10/104.1

D446,144 S * 8/2001 Christensen D10/104.1
D462,916 S * 9/2002 Fleetwood D10/104.1
6,598,563 B2 * 7/2003 Kim A01K 15/021
119/719
D500,486 S * 1/2005 Zeitman D14/188
D545,790 S * 7/2007 Jameson D10/104.1
D573,564 S * 7/2008 Goetzl D10/104.1
D711,848 S * 8/2014 Liu D14/155
D737,004 S * 8/2015 Russell D30/199
D759,908 S * 6/2016 Russell D30/199
D774,935 S * 12/2016 Liu D10/104.1
2013/0118418 A1 * 5/2013 Lalor A01K 15/021
119/720
2014/0261233 A1 * 9/2014 So A01K 27/009
119/720
2016/0100552 A1 * 4/2016 So A01K 15/021
119/719

* cited by examiner

Primary Examiner — Susan Moon Lee
(74) *Attorney, Agent, or Firm* — Schmeiser, Olsen & Watts LLP

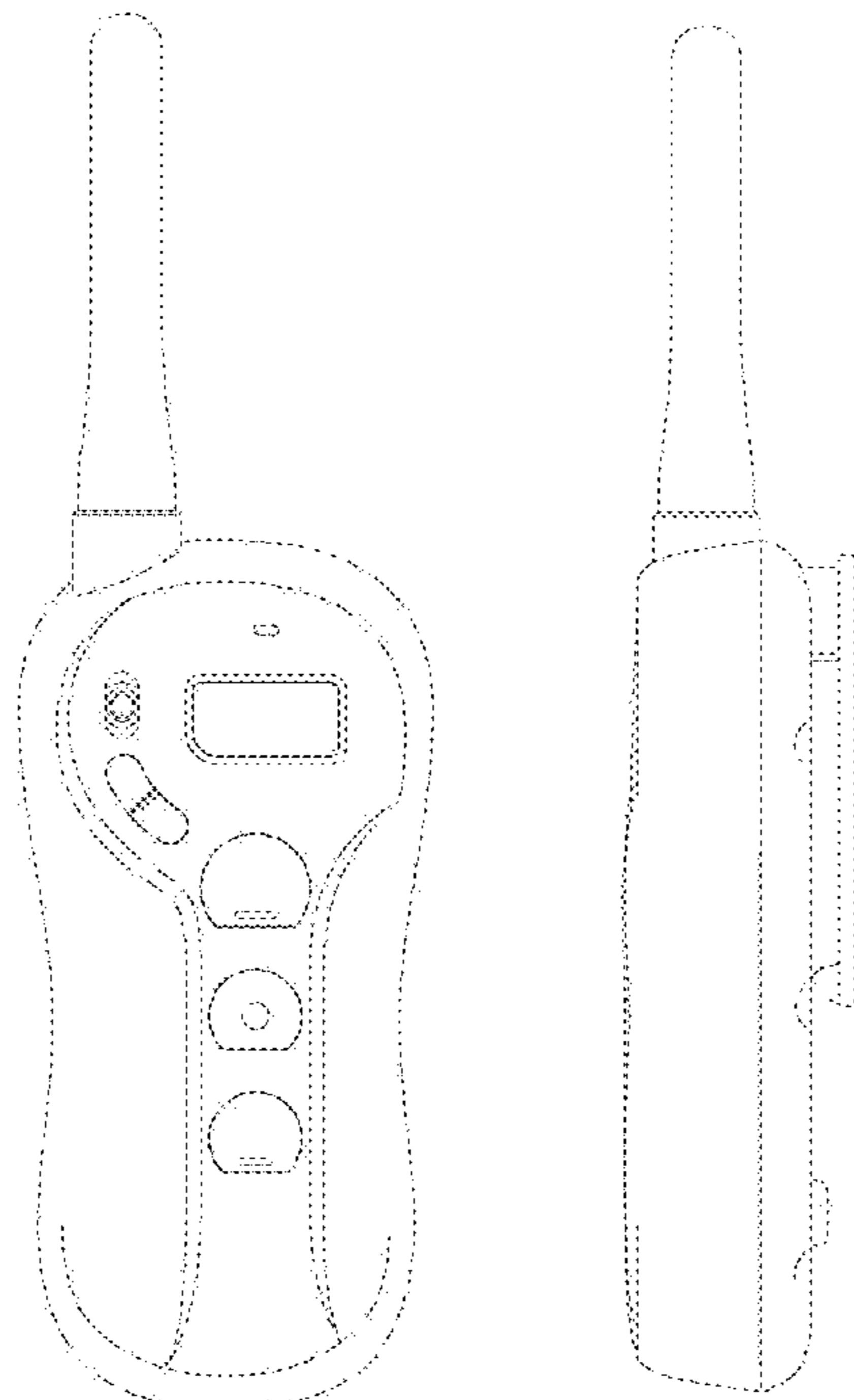
(57) **CLAIM**

The ornamental design for a dog training transmitter device, as shown and described.

DESCRIPTION

FIG. 1 is a Front view of a dog training transmitter device showing my new design;
FIG. 2 is a Rear view thereof;
FIG. 3 is a Left side view thereof;
FIG. 4 is a Right side view thereof;
FIG. 5 is a Top view thereof; and,
FIG. 6 is a bottom view thereof.

1 Claim, 6 Drawing Sheets



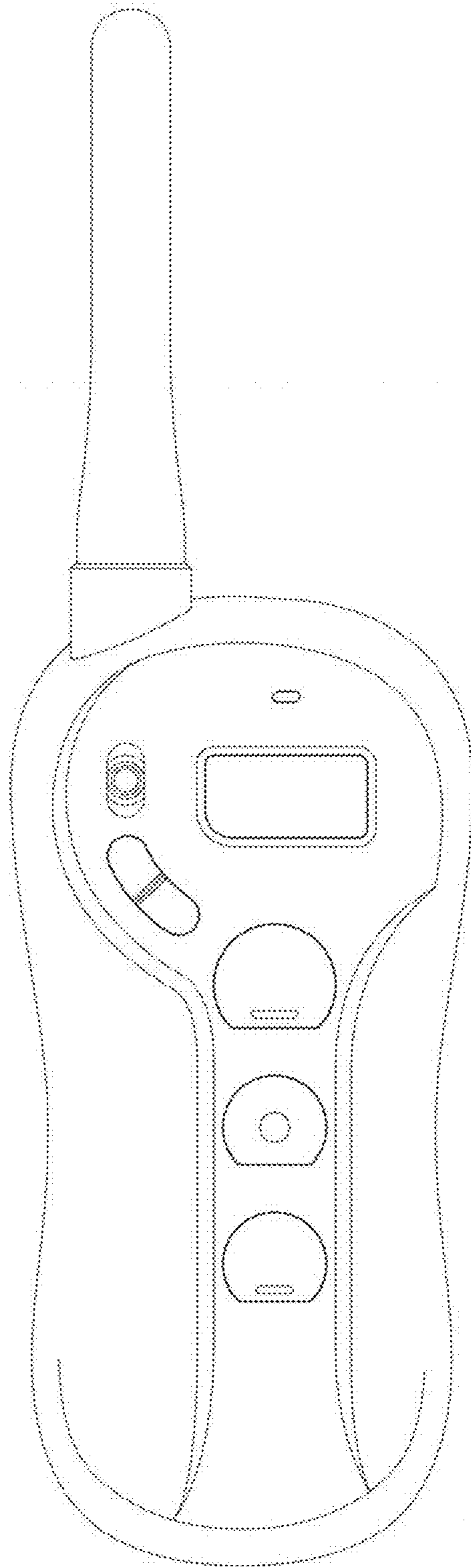


Fig.1

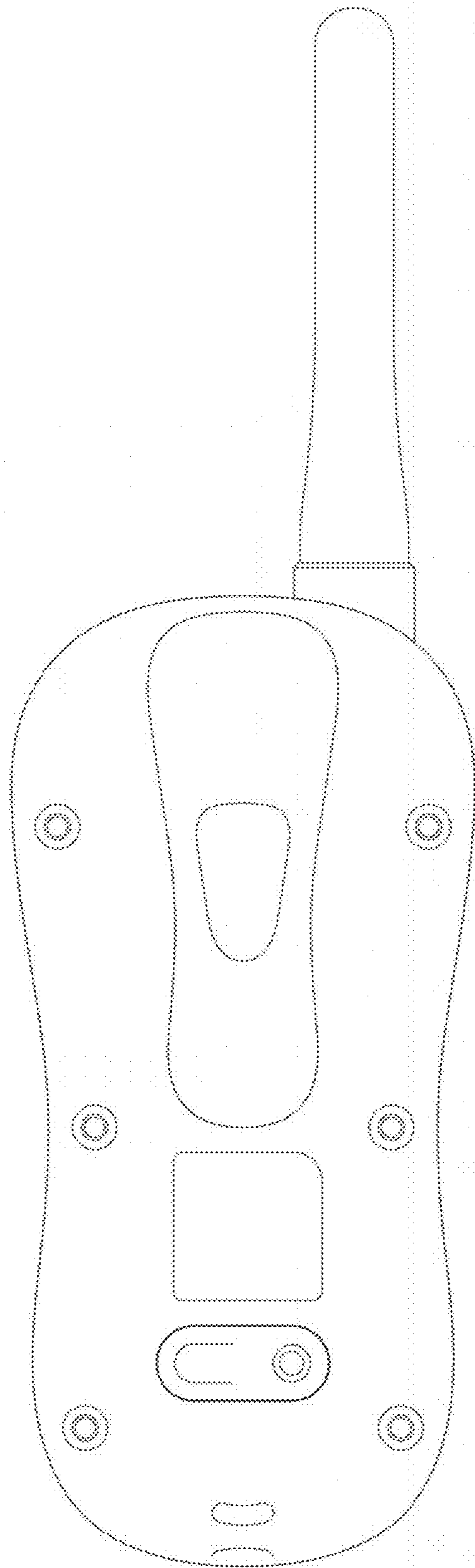


Fig.2

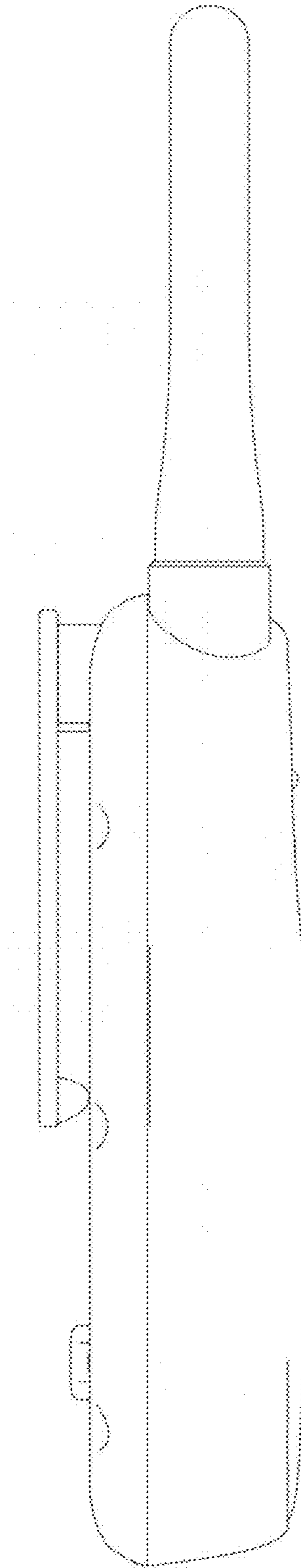


Fig.3

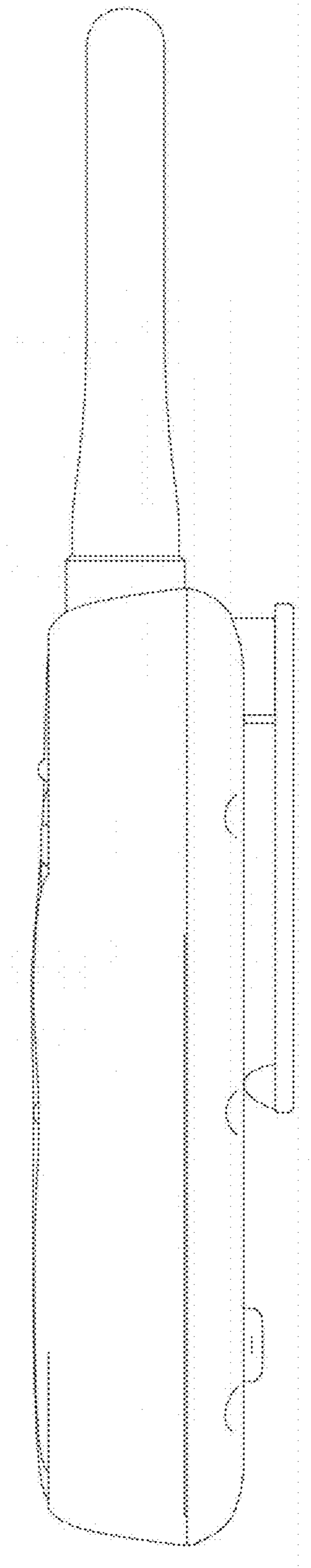


Fig.4

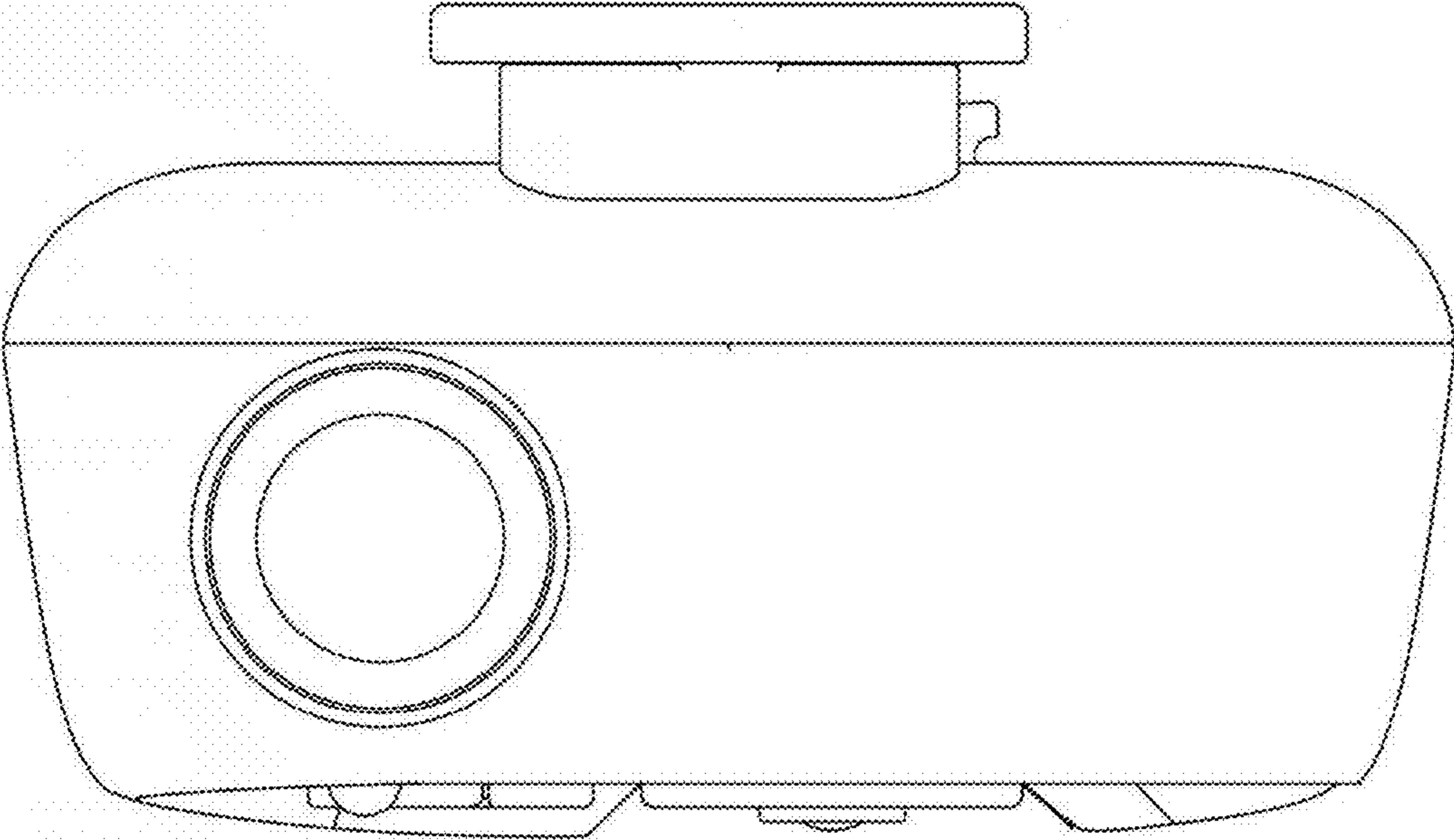


Fig.5

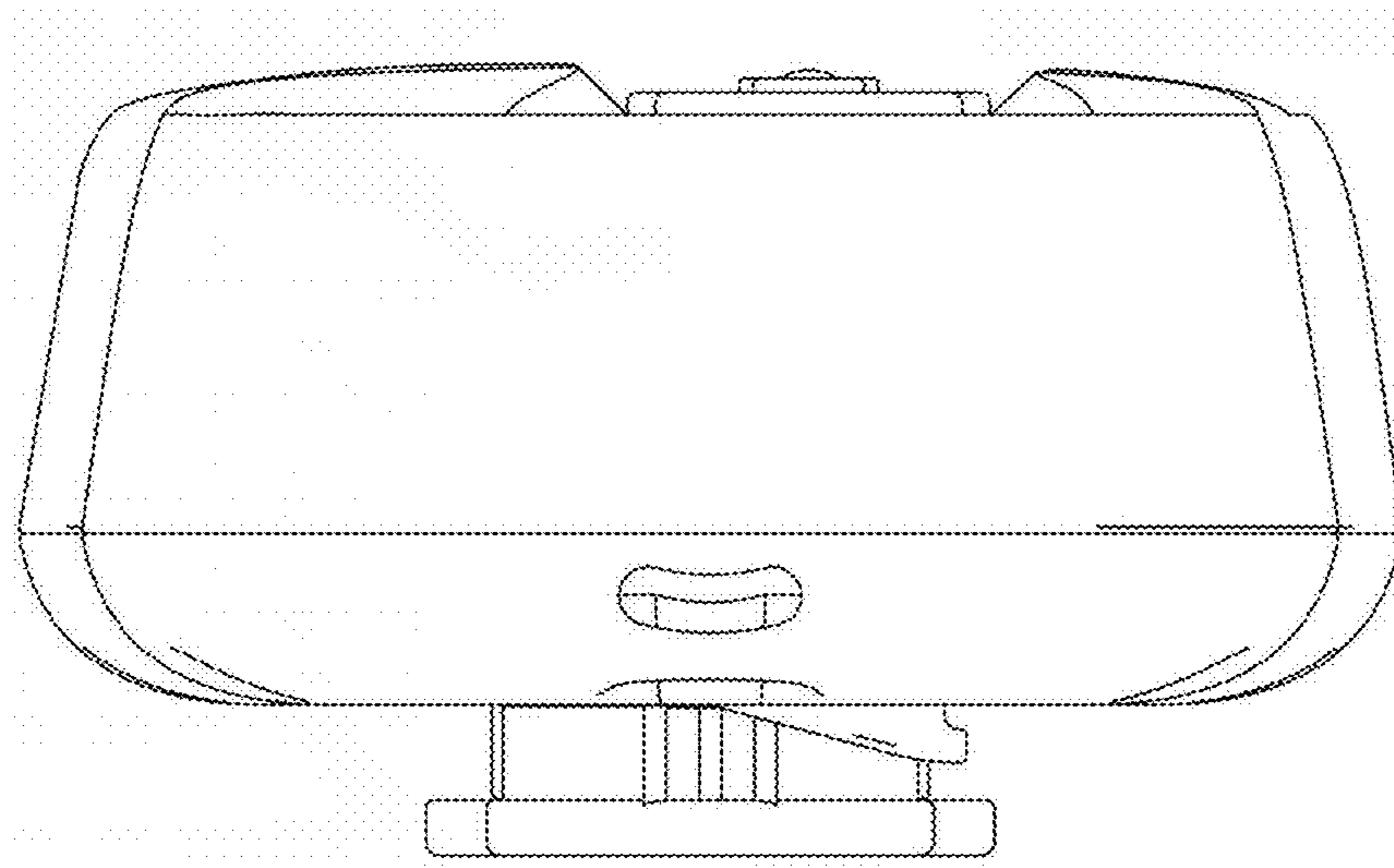


Fig.6