



US00D805700S

(12) **United States Design Patent**  
**Owens, III**

(10) **Patent No.:** **US D805,700 S**

(45) **Date of Patent:** **\*\* Dec. 19, 2017**

- (54) **PET FOOD BOWL**
- (71) Applicant: **Joe J. Owens, III**, North Las Vegas, NV (US)
- (72) Inventor: **Joe J. Owens, III**, North Las Vegas, NV (US)
- (\*\*) Term: **15 Years**
- (21) Appl. No.: **29/567,101**
- (22) Filed: **Jun. 6, 2016**
- (51) **LOC (10) Cl.** ..... **30-03**
- (52) **U.S. Cl.**  
USPC ..... **D30/129**
- (58) **Field of Classification Search**  
USPC .... D30/121, 122, 129-133; 119/61.5, 51.01, 119/61.56, 51.03, 59, 62, 63, 51.5, 57.8, 119/74, 61.54, 61.55; 312/204; 248/151, 248/188; 108/156, 153.1-157; 220/23.87, 630, 737, 743, 9.4, 495.01, 220/574, 212, 255, 23.83; 206/515; D7/586, 543, 550.1, 587, 505, 584, 545, D7/500, 553.1-553.8, 546, 555, 556, 504, D7/565, 562, 602; D9/429; 43/109; D22/122; 99/430, DIG. 15  
CPC ..... A01K 5/0114; A01K 5/01; A01K 5/0135; A01K 7/005; A01K 7/00; A01K 7/02; A01K 5/0142; A01K 5/0121; A01K 5/0128; A01K 27/004; A01K 39/014; A01K 39/00; A01K 39/02; A01K 39/0113; A47J 43/0727; A01M 29/34; B29C 65/48; B65D 81/36  
See application file for complete search history.

1,119,255 A *	12/1914	Durkin	.....	B07B 1/469
				209/397
2,034,478 A *	3/1936	Levy	.....	A47G 23/06
				62/457.6
3,040,897 A *	6/1962	Holman	.....	B65D 1/10
				210/237
3,202,131 A *	8/1965	Jones	.....	A01K 5/0114
				119/61.54
3,268,198 A *	8/1966	Swett	.....	A47G 23/03
				248/346.11
3,995,544 A *	12/1976	Farley	.....	A47J 43/286
				100/116
D246,026 S *	10/1977	Stahel	.....	D7/388
D255,751 S *	7/1980	Daenen	.....	D7/667
4,286,546 A *	9/1981	Moore	.....	A01K 7/005
				119/61.54
D278,014 S *	3/1985	Faris	.....	D7/505
D296,020 S *	5/1988	McCarroll	.....	D30/130
4,752,147 A *	6/1988	Persi	.....	A47L 23/05
				401/123
4,942,277 A *	7/1990	Narberes	.....	B65D 81/3453
				209/235
D318,596 S *	7/1991	Watts	.....	D7/325
5,148,951 A *	9/1992	Moure	.....	A45D 40/0075
				100/116

(Continued)

*Primary Examiner* — Susan Moon Lee  
(74) *Attorney, Agent, or Firm* — Fennemore Craig, P.C.

(57) **CLAIM**

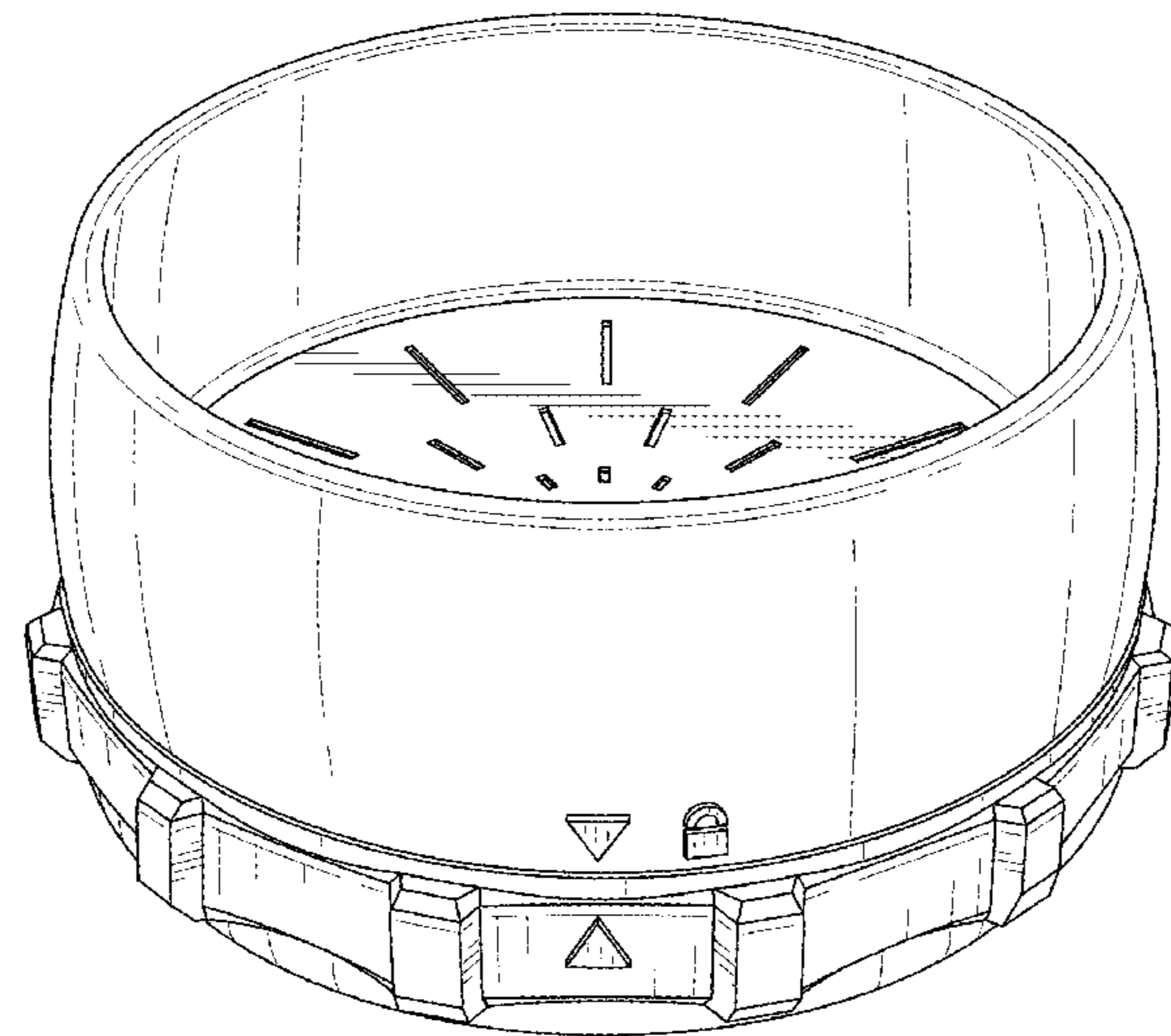
The ornamental design for a pet food bowl, as shown and described.

**DESCRIPTION**

FIG. 1 is a perspective view of a pet food bowl in accordance with my new design;  
FIG. 2 is a side view thereof;  
FIG. 3 is a top plan view thereof; and,  
FIG. 4 is a bottom plan view thereof.

**1 Claim, 3 Drawing Sheets**

- (56) **References Cited**  
U.S. PATENT DOCUMENTS  
344,447 A \* 6/1886 Johnston ..... B65D 83/0005  
222/386  
1,065,823 A \* 6/1913 Matthews ..... G01F 11/286  
15/257.05



(56)

References Cited

U.S. PATENT DOCUMENTS

5,377,621	A *	1/1995	Camm	.....	A01K 5/0114	119/61.54
5,706,721	A *	1/1998	Homes	.....	A47J 36/08	100/110
D391,440	S *	3/1998	Cousins	.....	D7/360	
5,887,544	A *	3/1999	Popelier	.....	A01K 5/01	119/61.54
D408,227	S *	4/1999	Swann, Jr.	.....	D7/624.1	
6,135,307	A *	10/2000	Fahy	.....	A47G 19/02	220/521
6,314,911	B1 *	11/2001	Kaytovich	.....	A01K 5/0114	119/61.5
D493,664	S *	8/2004	Siegel	.....	D7/354	
7,021,202	B2 *	4/2006	Sizer	.....	A47J 37/129	220/573.2
D576,735	S *	9/2008	Strickler	.....	D23/261	
D581,746	S *	12/2008	Holmes	.....	D7/665	
7,753,000	B1 *	7/2010	Turner	.....	A01K 5/01	119/57
D632,129	S *	2/2011	Chen	.....	D7/354	
D636,946	S *	4/2011	Able	.....	D30/129	
8,033,420	B2 *	10/2011	Roseblade	.....	A47G 19/2211	220/369
D648,492	S *	11/2011	Able	.....	D30/129	
8,082,882	B1 *	12/2011	Tharp	.....	A01K 5/01	119/60
8,240,503	B2 *	8/2012	Curtin	.....	A47J 47/10	220/501
8,342,128	B2 *	1/2013	Rocker	.....	A01K 5/0114	119/61.2
8,381,640	B1 *	2/2013	Wilson	.....	A47J 37/10	210/464
8,651,055	B2 *	2/2014	Dreger	.....	A01K 5/0114	119/61.5
D719,787	S *	12/2014	Seegars	.....	D7/553.6	
D726,367	S *	4/2015	Dukat	.....	D27/167	
D762,017	S *	7/2016	Tsengas	.....	D30/121	
D767,952	S *	10/2016	Ioncescu	.....	D7/647	
9,545,081	B2 *	1/2017	Nolan	.....	A01K 15/02	
2003/0106262	A1 *	6/2003	Lai	.....	A01G 9/02	47/65.6
2004/0068931	A1 *	4/2004	Lai	.....	A01G 27/02	47/80
2004/0200845	A1 *	10/2004	Watzke	.....	B65D 1/24	220/501
2006/0169603	A1 *	8/2006	Lancesseur	.....	B65D 51/30	206/204
2006/0278665	A1 *	12/2006	Bennett	.....	A45D 33/16	222/480
2007/0199512	A1 *	8/2007	Ellis	.....	A01K 7/005	119/61.54
2008/0289581	A1 *	11/2008	Cox, Jr.	.....	A01K 5/0114	119/61.54
2012/0017837	A1 *	1/2012	Crawford	.....	A01K 5/01	119/61.1
2012/0090549	A1 *	4/2012	Tharp	.....	A01K 5/01	119/51.5
2013/0104808	A1 *	5/2013	Rocker	.....	A01K 5/0128	119/61.55
2014/0060442	A1 *	3/2014	Ressemann	.....	A01K 13/00	119/61.5
2014/0158054	A1 *	6/2014	Clarke	.....	A01K 5/0114	119/51.01
2016/0007562	A1 *	1/2016	Johnson	.....	A01K 5/01	119/60
2017/0127647	A1 *	5/2017	Owens, III	.....	A01K 5/0114	
2017/0127648	A1 *	5/2017	O'Donnell	.....	A01K 5/0114	

\* cited by examiner

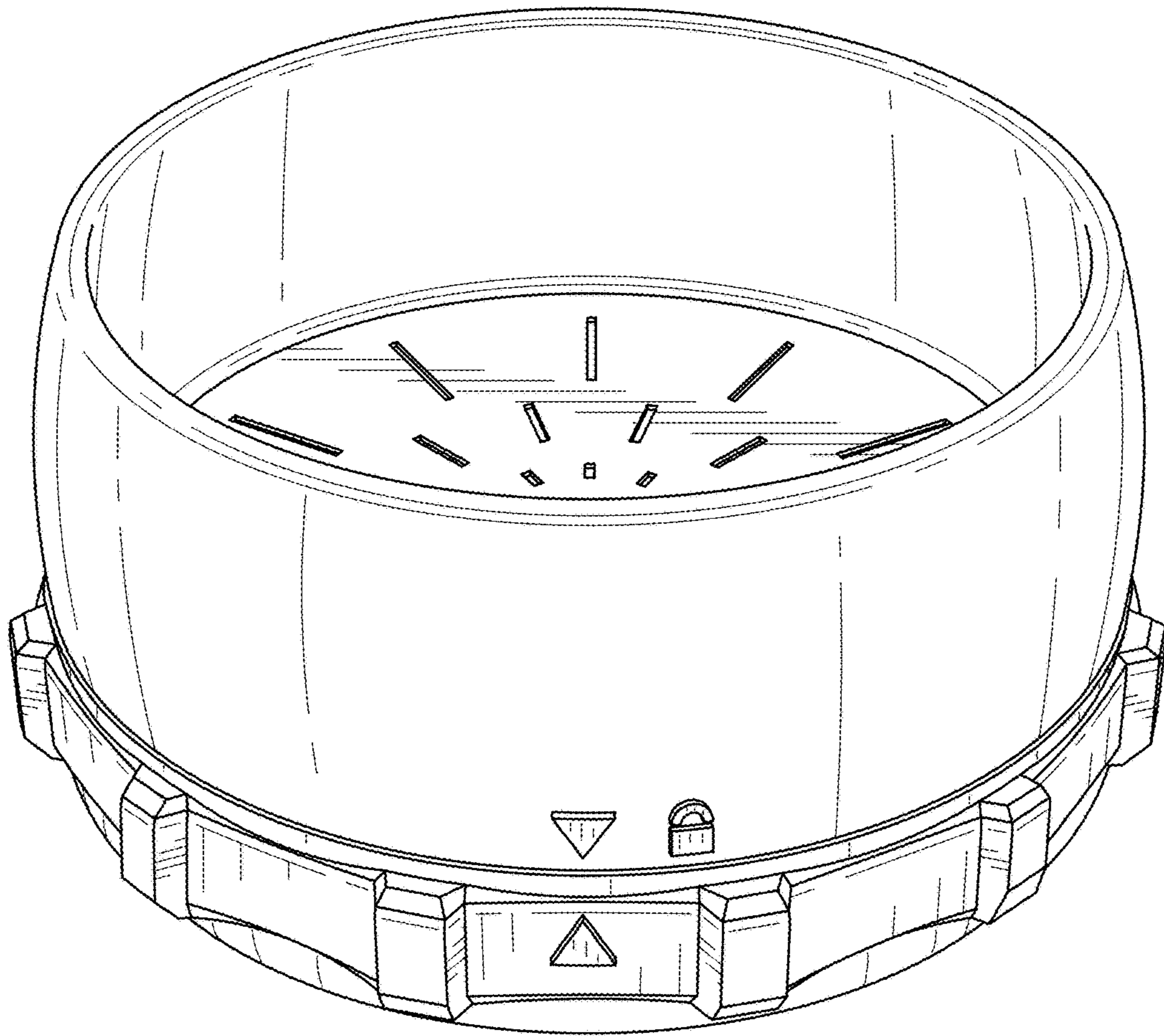


FIG. 1

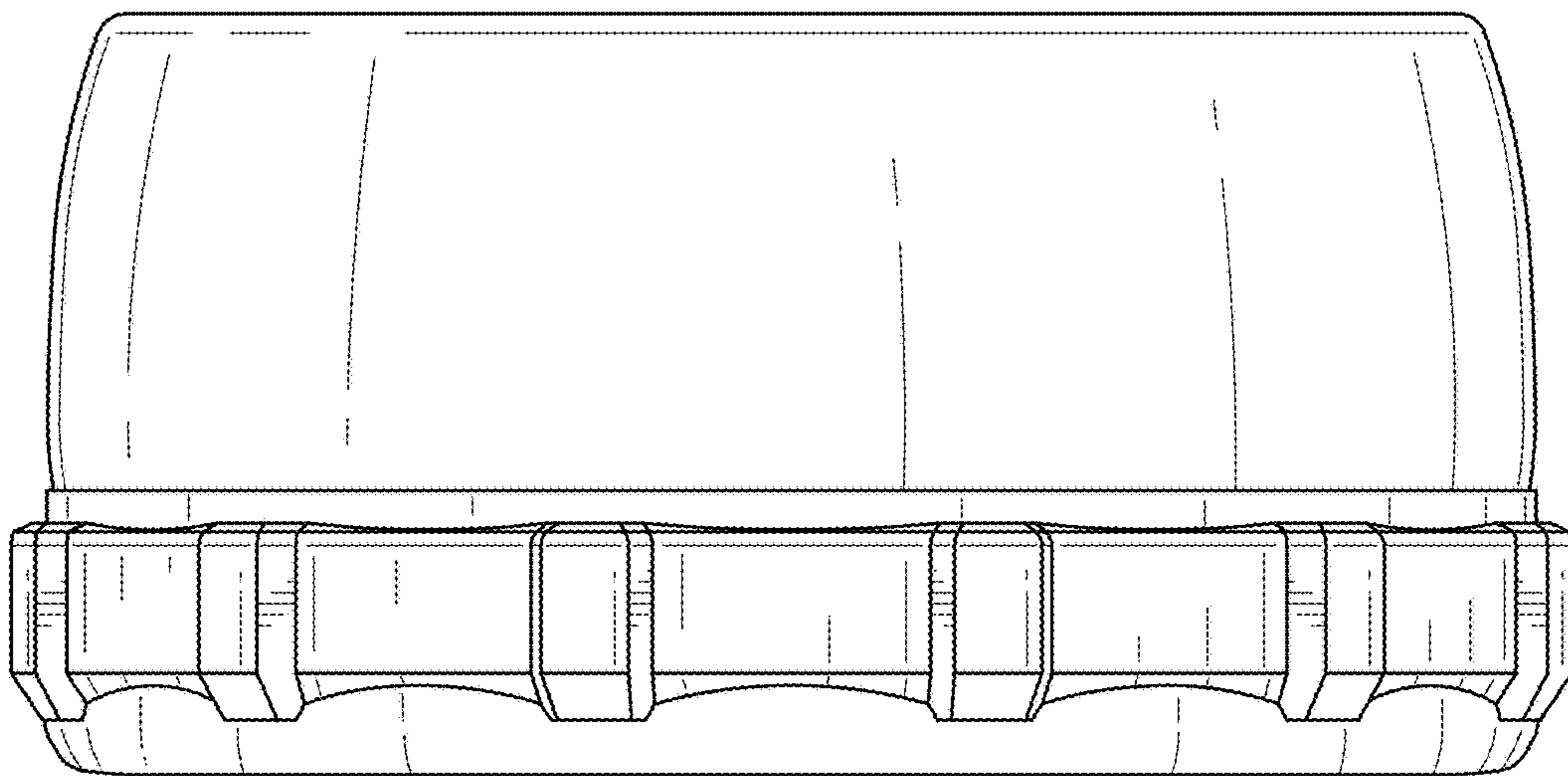


FIG. 2

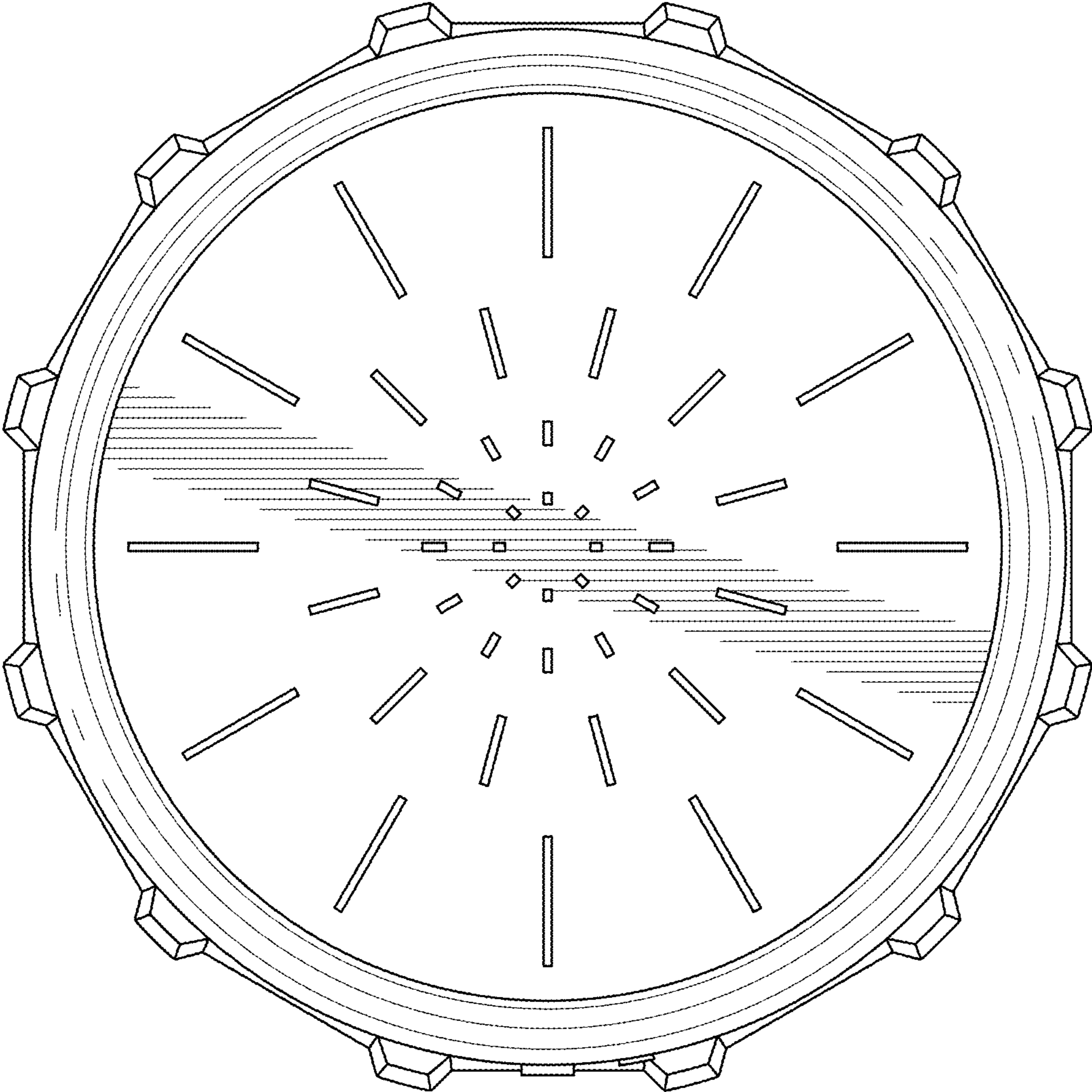


FIG. 3

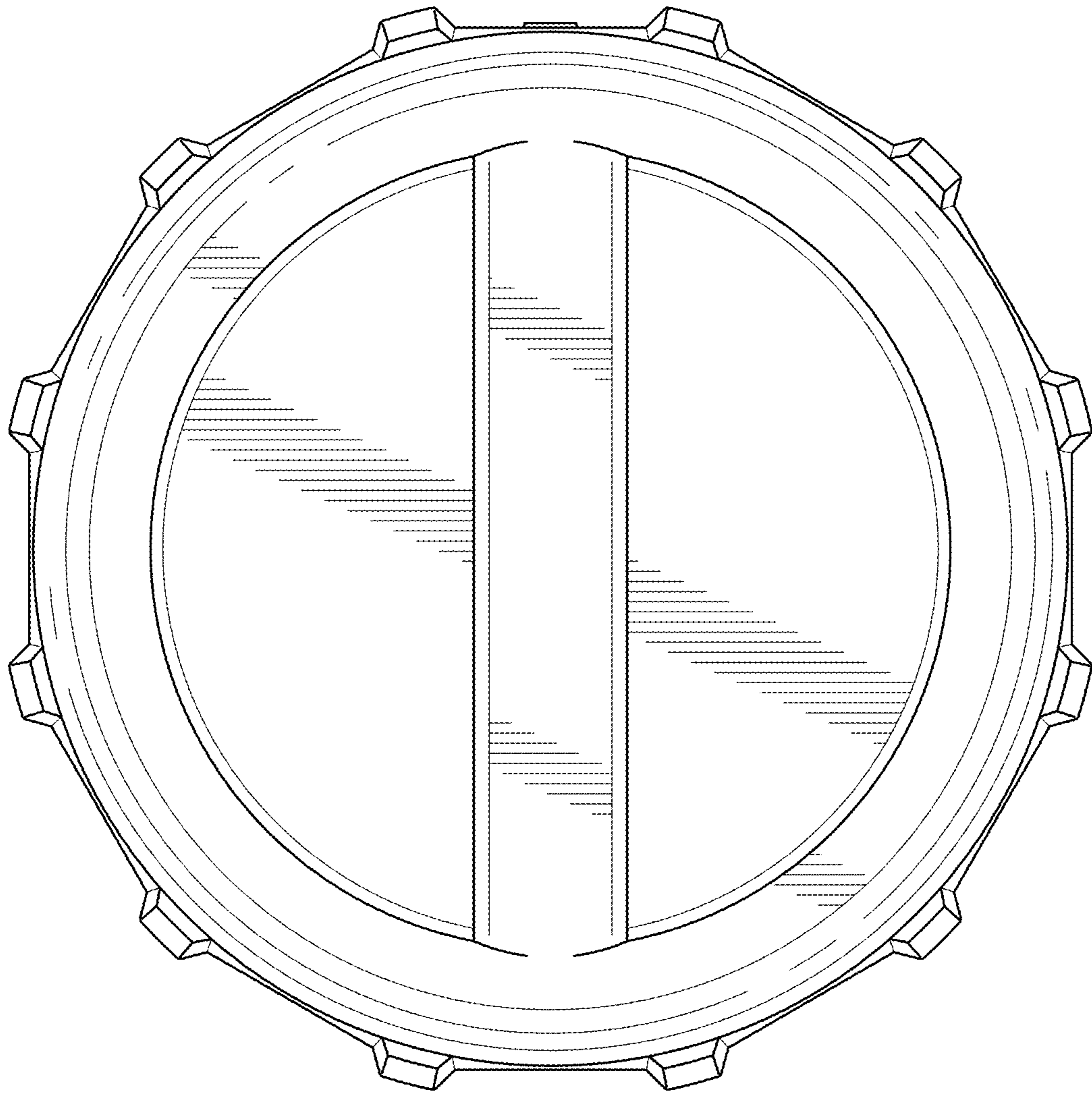


FIG. 4