



US00D805699S

(12) **United States Design Patent** (10) **Patent No.:** **US D805,699 S**  
**Agadzi** (45) **Date of Patent:** **\*\* Dec. 19, 2017**

(54) **FOOTGUARD**  
(71) Applicant: **Victor Agadzi**, Pensacola, FL (US)  
(72) Inventor: **Victor Agadzi**, Pensacola, FL (US)  
(\*\*) Term: **15 Years**  
(21) Appl. No.: **29/563,069**  
(22) Filed: **May 2, 2016**  
(51) **LOC (10) Cl.** ..... **29-02**  
(52) **U.S. Cl.**  
USPC ..... **D29/121.2**; D2/909  
(58) **Field of Classification Search**  
USPC ..... D2/309, 313, 909; 24/190, 192; 29/100,  
29/120.1, 121.2, 122  
CPC .. A43B 7/32; A43B 5/02; A43B 5/025; A43B  
23/26  
See application file for complete search history.

5,265,353 A \* 11/1993 Marega ..... A43B 5/0405  
36/117.6  
5,566,477 A \* 10/1996 Mathis ..... A43B 3/0078  
36/100  
6,000,111 A \* 12/1999 Deskins ..... A43C 7/02  
24/442  
6,128,801 A \* 10/2000 Adzick ..... A43B 1/0081  
15/210.1  
D456,596 S \* 5/2002 Hannah ..... A43B 5/02  
D2/946  
6,895,696 B1 \* 5/2005 Sanders ..... A43B 3/0031  
24/712.1  
D555,291 S \* 11/2007 Danzo ..... D29/121.2  
D611,684 S \* 3/2010 Bell ..... D2/901  
7,941,943 B2 \* 5/2011 Baker ..... A43B 5/02  
36/133  
D671,307 S \* 11/2012 Gilboa ..... D2/969  
D696,499 S \* 12/2013 Lehtinen ..... D2/909  
D770,586 S \* 11/2016 Sopel ..... D21/772  
2002/0029496 A1 \* 3/2002 Morle ..... A43B 5/02  
36/99

(Continued)

*Primary Examiner* — Patricia A Palasik  
(74) *Attorney, Agent, or Firm* — Maier & Maier, PLLC

(56) **References Cited**

U.S. PATENT DOCUMENTS

2,915,837 A \* 12/1959 Schlecht ..... A43B 7/32  
36/54  
3,006,086 A \* 10/1961 Bird, Jr. .... A43C 13/14  
36/72 R  
3,241,153 A \* 3/1966 Brewer ..... A43C 13/14  
2/22  
3,242,597 A \* 3/1966 George ..... A43C 13/14  
36/72 R  
3,334,427 A \* 8/1967 Edwards ..... A43C 13/14  
36/72 R  
3,470,630 A \* 10/1969 Ott ..... A43C 13/14  
36/72 R  
4,377,913 A \* 3/1983 Stone ..... A43B 23/26  
36/50.1  
4,391,049 A \* 7/1983 Parisotto ..... A43B 5/002  
36/114  
4,422,249 A \* 12/1983 Hannah ..... A43B 5/02  
36/133

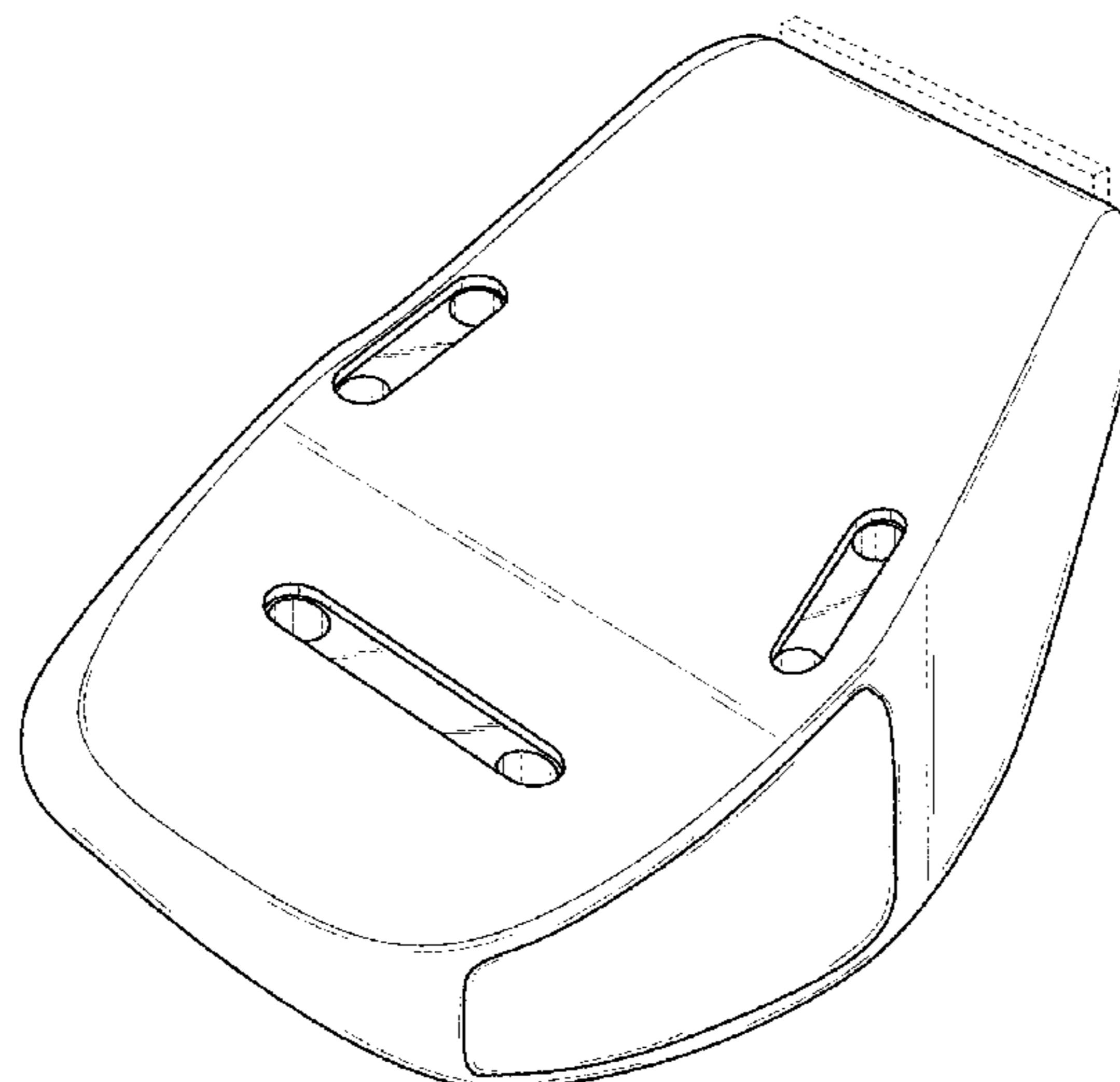
(57) **CLAIM**

The ornamental design for a footguard, as shown and described.

**DESCRIPTION**

FIG. 1 is a top-front-right perspective view of a footguard, showing my design;  
FIG. 2 is a top plan view thereof;  
FIG. 3 is a bottom plan view thereof;  
FIG. 4 is a left side elevational view thereof;  
FIG. 5 is a right side elevational view thereof;  
FIG. 6 is a front elevational view thereof; and,  
FIG. 7 is a rear elevational view thereof.  
The broken lines in the drawings depict unclaimed environmental subject matter.

**1 Claim, 5 Drawing Sheets**



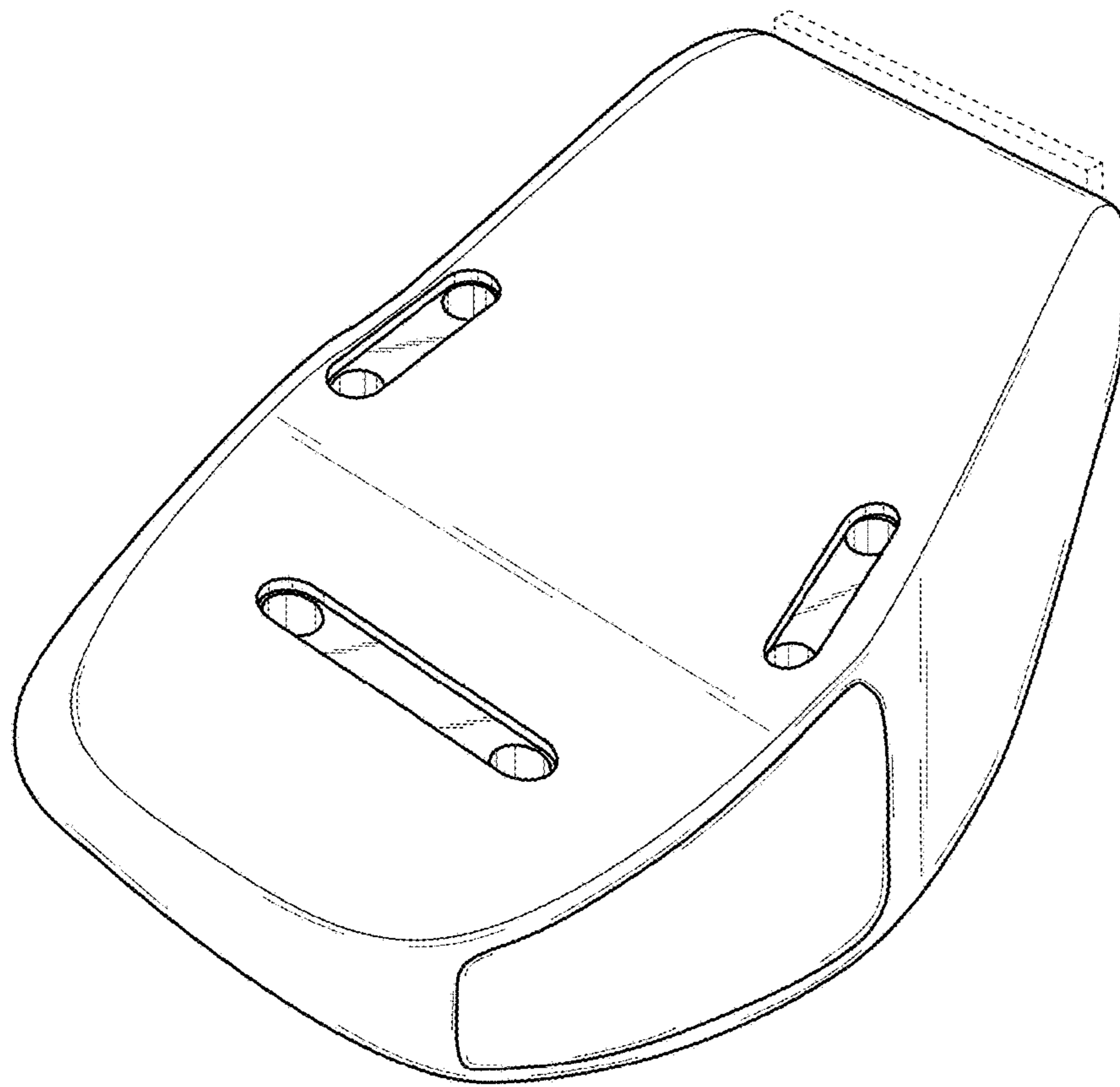
(56)

**References Cited**

U.S. PATENT DOCUMENTS

2002/0043007 A1\* 4/2002 Hannah ..... A43B 5/02  
36/133  
2002/0104174 A1\* 8/2002 Bartlett ..... A43B 7/32  
12/145  
2005/0178026 A1\* 8/2005 Friton ..... A43B 23/26  
36/50.1  
2007/0245596 A1\* 10/2007 Gerrand ..... A43B 5/02  
36/46.5

\* cited by examiner



*Fig. 1*

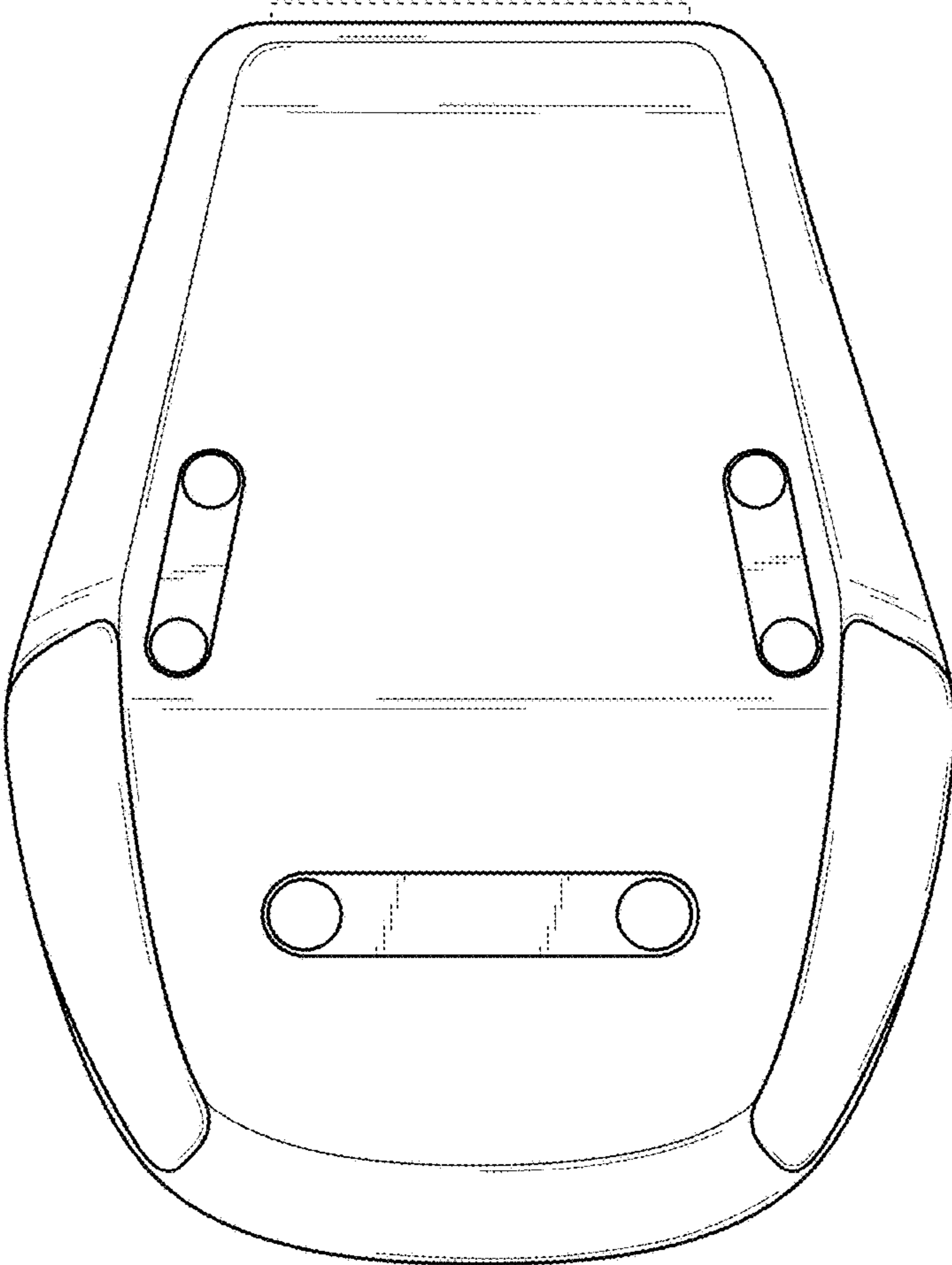
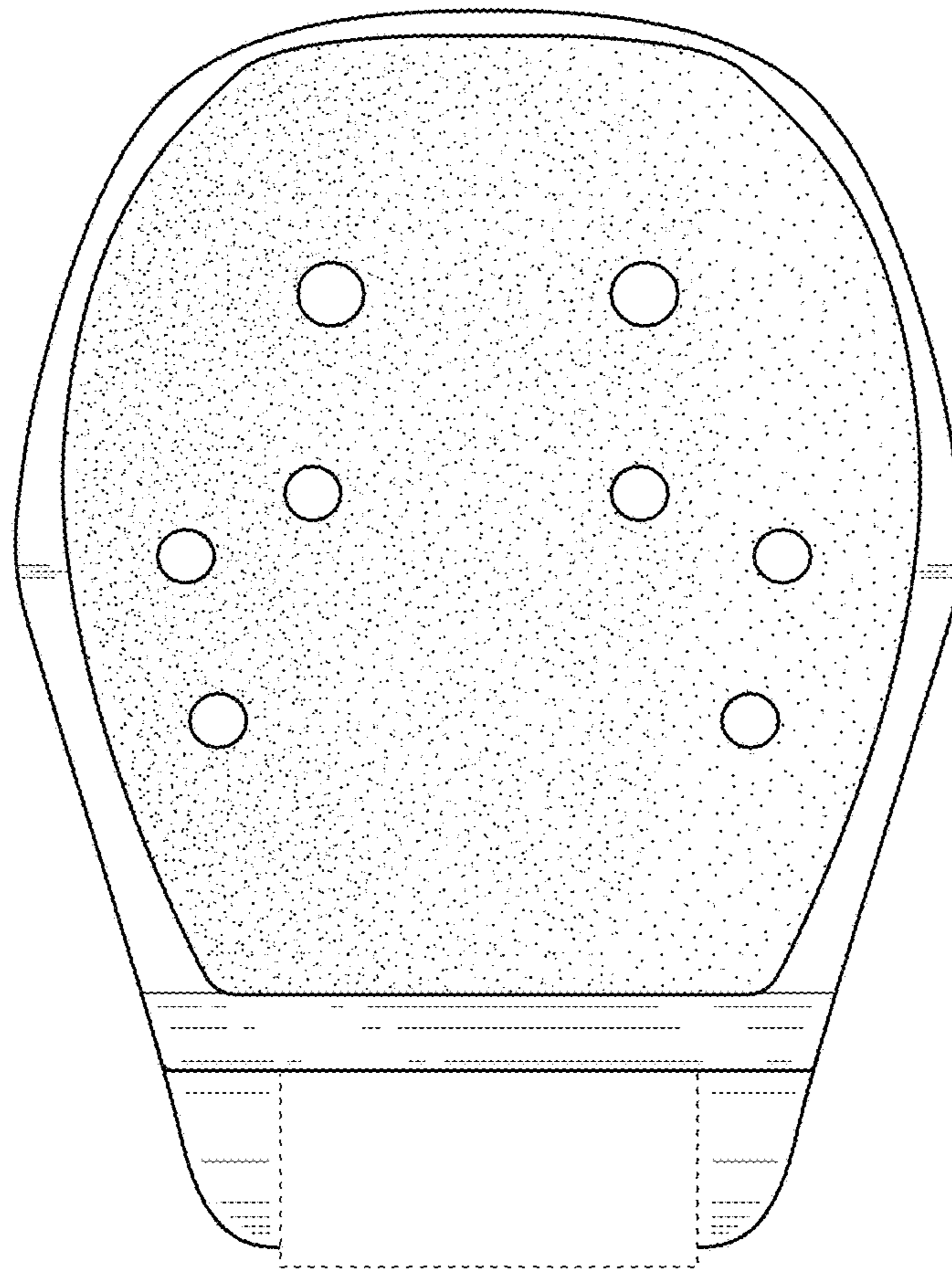
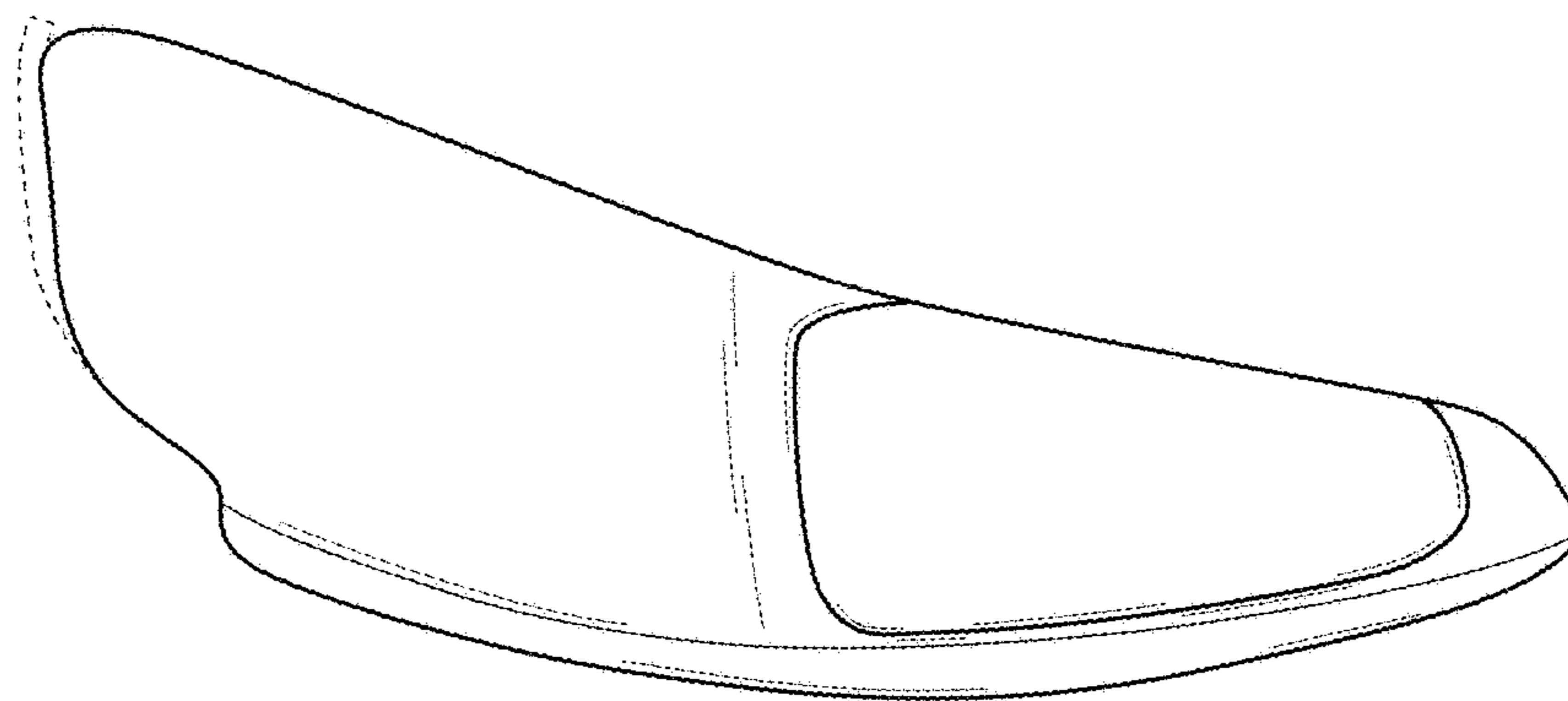


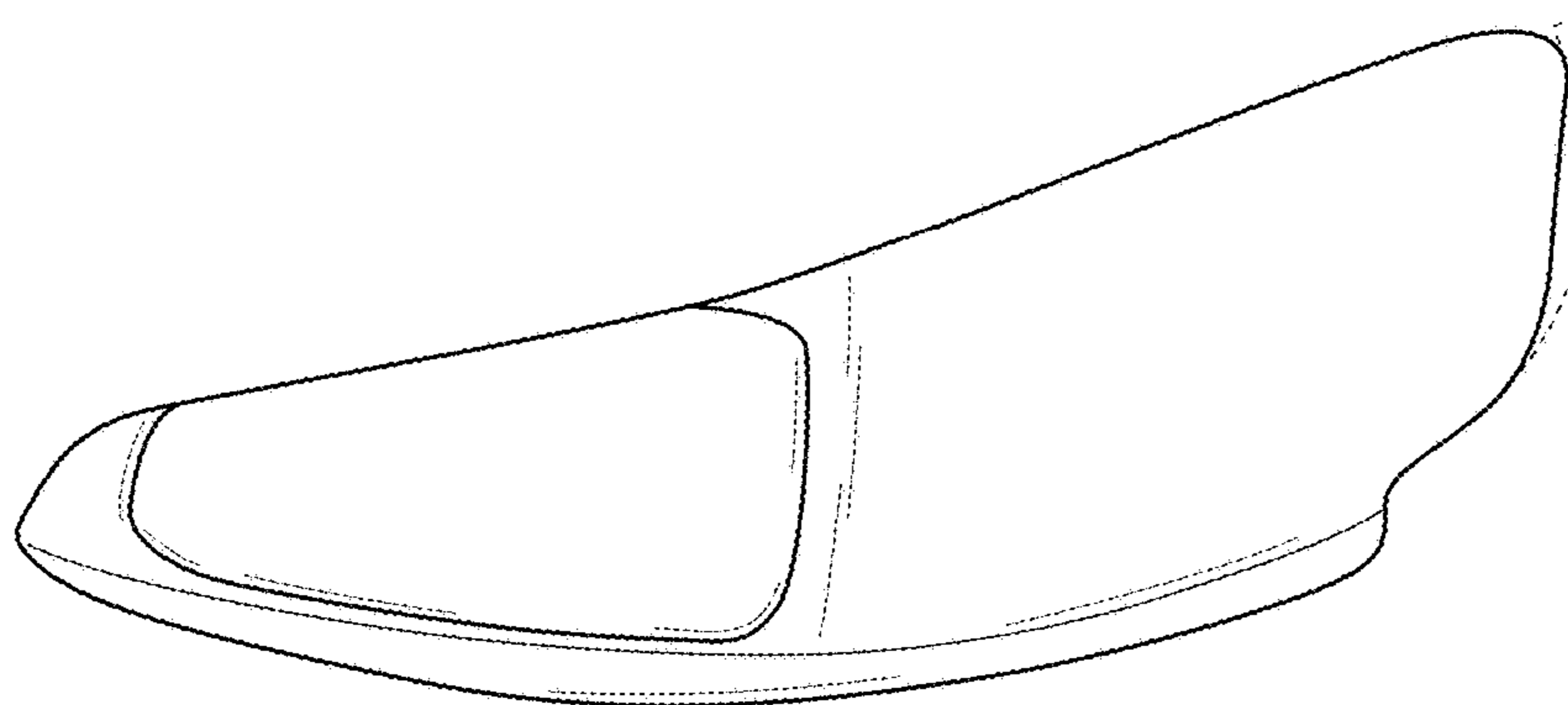
Fig. 2



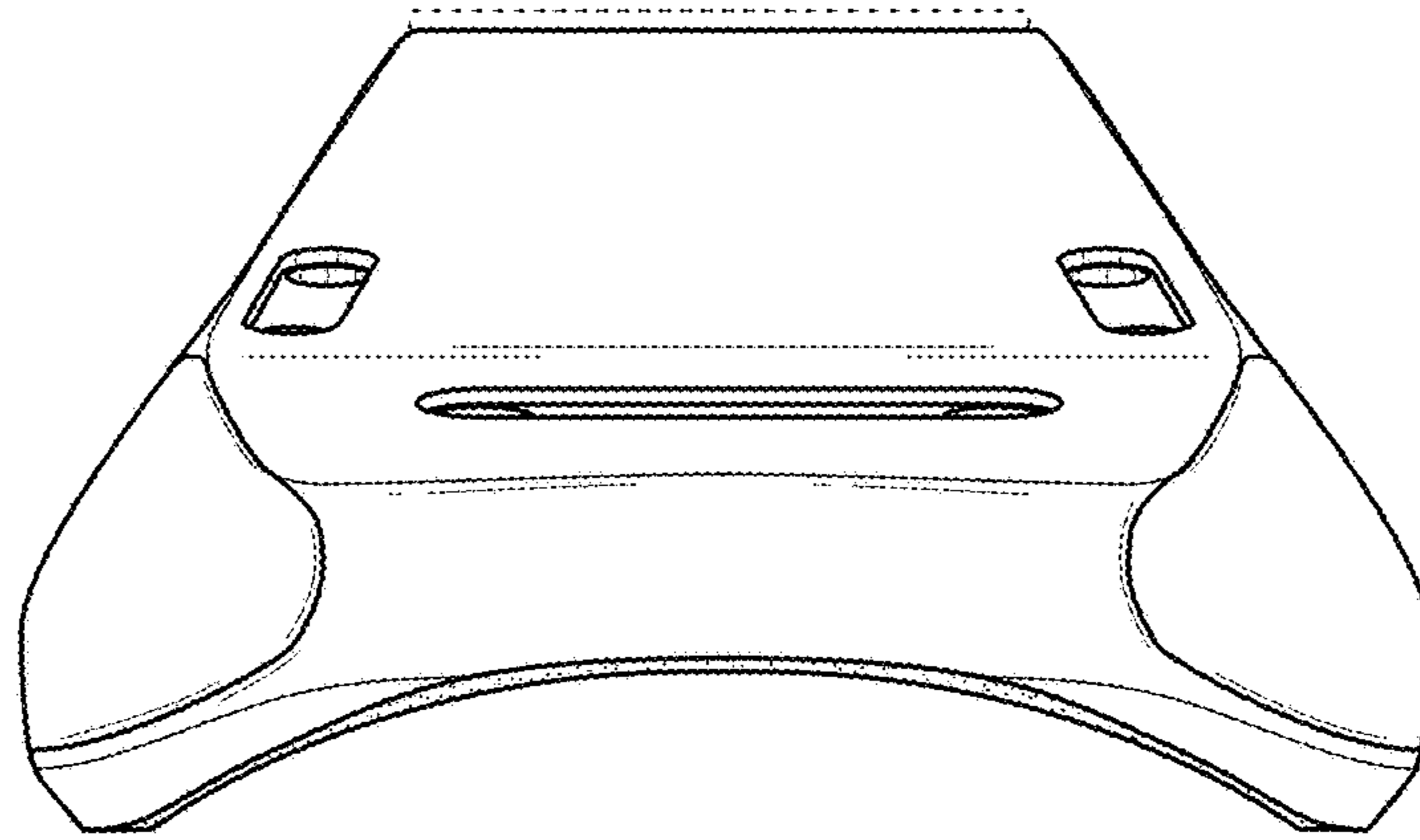
*Fig. 3*



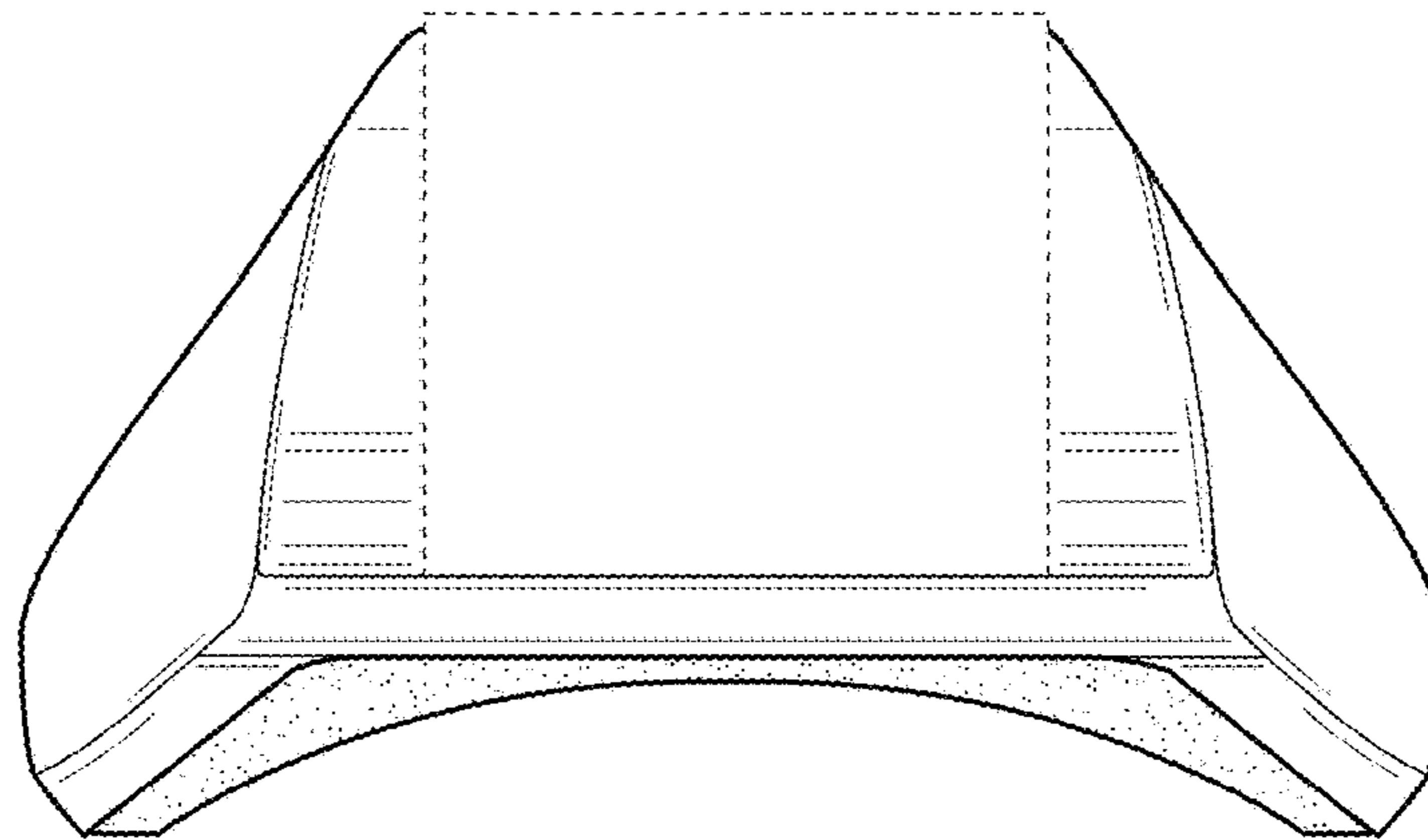
*Fig. 4*



*Fig. 5*



*Fig. 6*



*Fig. 7*