

US00D805698S

(12) **United States Design Patent**
Hunte

(10) **Patent No.:** **US D805,698 S**

(45) **Date of Patent:** **** Dec. 19, 2017**

(54) **TIME RELEASE CUFFS**

(71) Applicant: **Dale Hunte**, St. James (BB)

(72) Inventor: **Dale Hunte**, St. James (BB)

(**) Term: **15 Years**

(21) Appl. No.: **29/582,481**

(22) Filed: **Oct. 28, 2016**

(51) **LOC (10) Cl.** **29-02**

(52) **U.S. Cl.**
USPC **D29/120.2**

(58) **Field of Classification Search**
USPC D29/120.1, 120.2, 113; 2/16, 17, 170;
24/16 PB; 70/14-19; 119/770; 128/869,
128/878
CPC E05B 75/00; A61F 5/3715
See application file for complete search history.

(56) **References Cited**

U.S. PATENT DOCUMENTS

7,866,321 B2 * 1/2011 DePetrillo A61F 5/37
128/878
7,987,761 B2 * 8/2011 Butler E05B 43/00
24/16 PB

8,539,798 B2 * 9/2013 Harrington E05B 75/00
24/17 AP

8,595,904 B2 * 12/2013 Klementowicz, III . E05B 75/00
128/879

D753,885 S * 4/2016 Hill D29/120.2

* cited by examiner

Primary Examiner — Randall Gholson

(74) *Attorney, Agent, or Firm* — Integrity Patent Group,
PLC; Edwin Wold

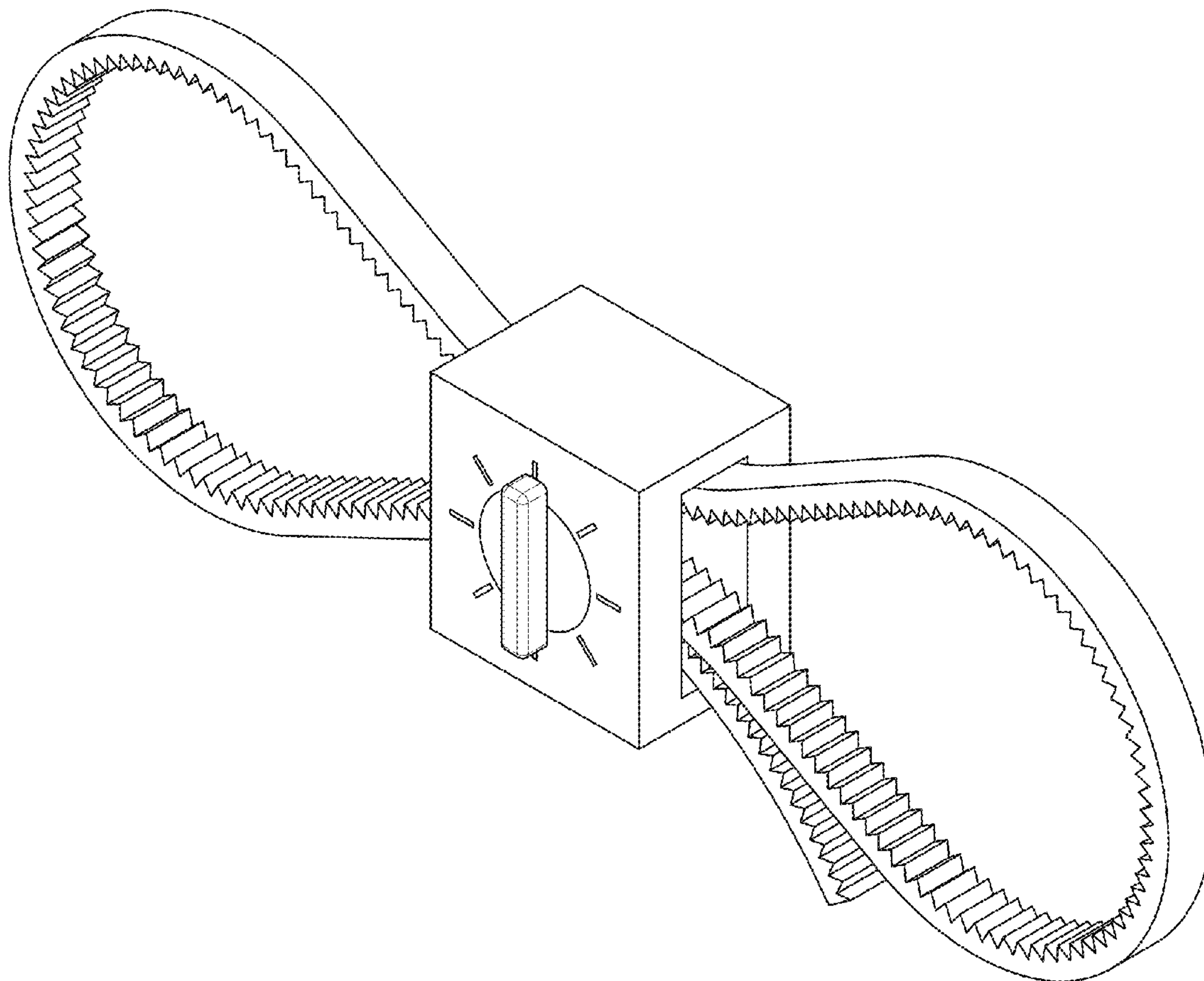
(57) **CLAIM**

The ornamental design for a time release cuffs, as shown and described.

DESCRIPTION

FIG. 1 is a perspective view of a time release cable tie cuffs device design showing my new design;
FIG. 2 is a front view of the time release cuffs thereof;
FIG. 3 is a rear view of the time release cuffs thereof;
FIG. 4 is a side view of the time release cuffs thereof;
FIG. 5 is a side view of the time release cuffs thereof;
FIG. 6 is a top plan view thereof of the time release cuffs;
and,
FIG. 7 is a bottom plan view of the time release cuffs thereof.
The time release cuffs is characterized by a time release via a timer or remote.

1 Claim, 5 Drawing Sheets



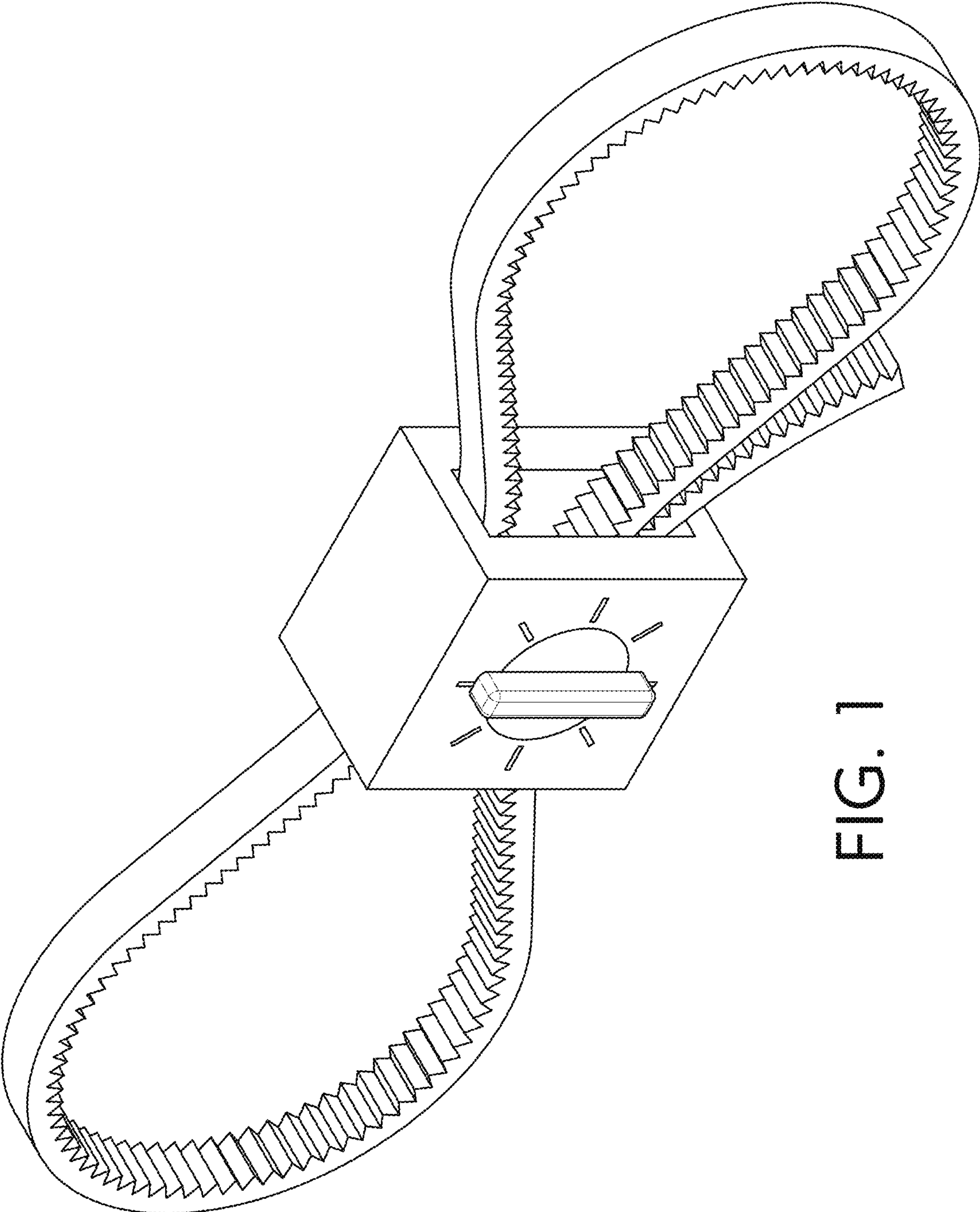


FIG. 1

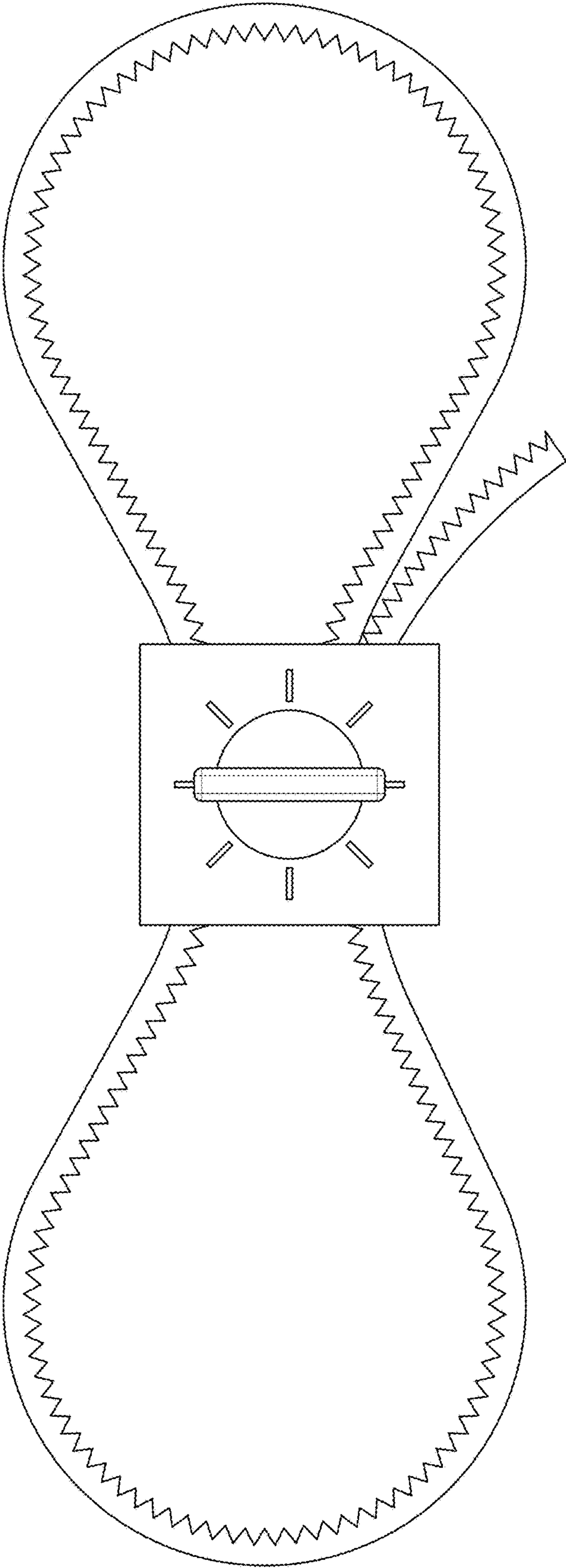


FIG. 2

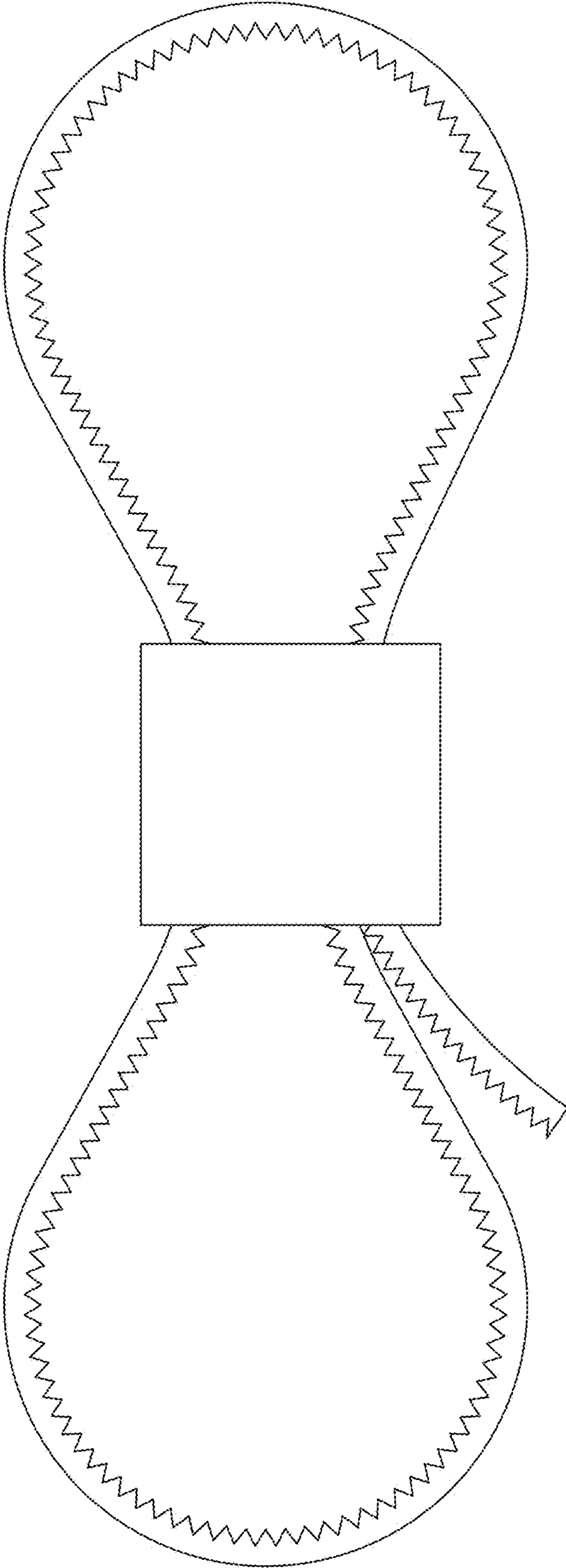


FIG. 3

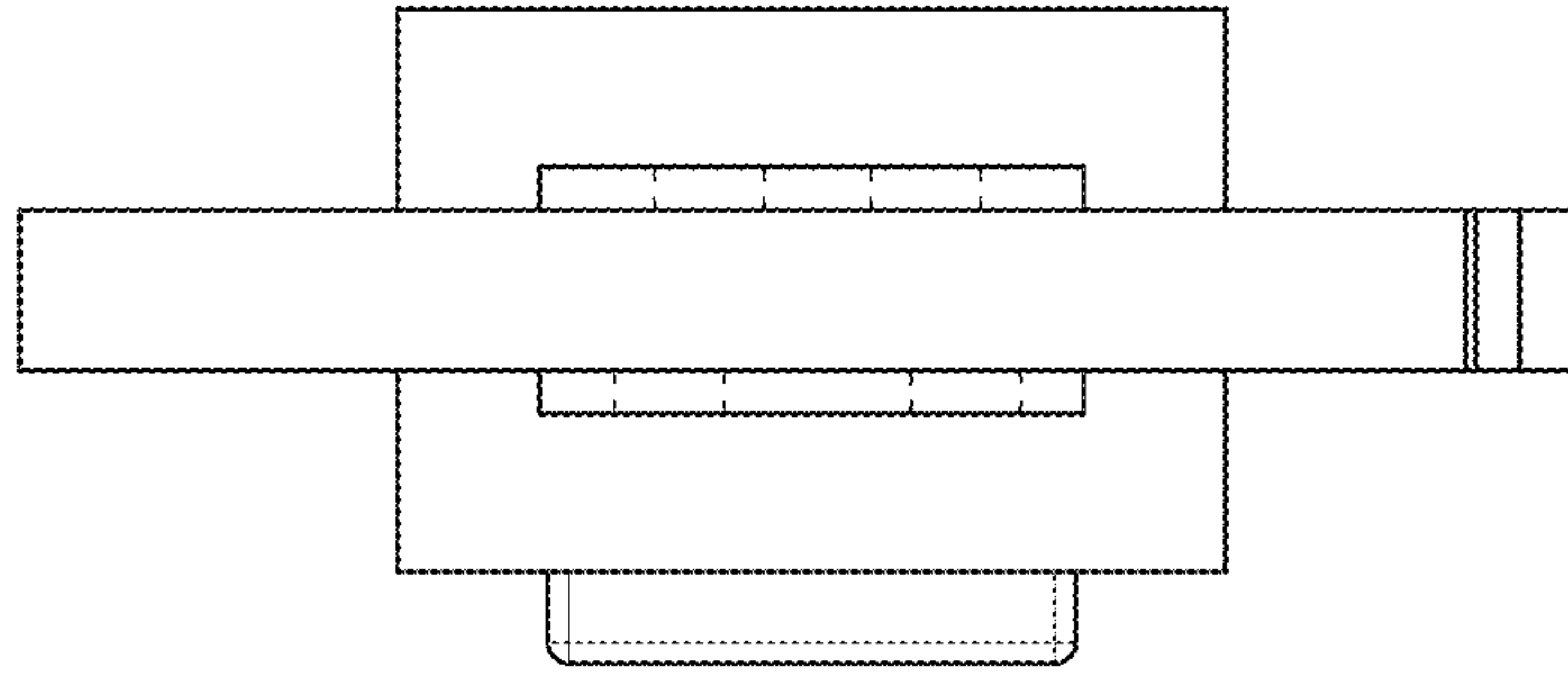


FIG. 5

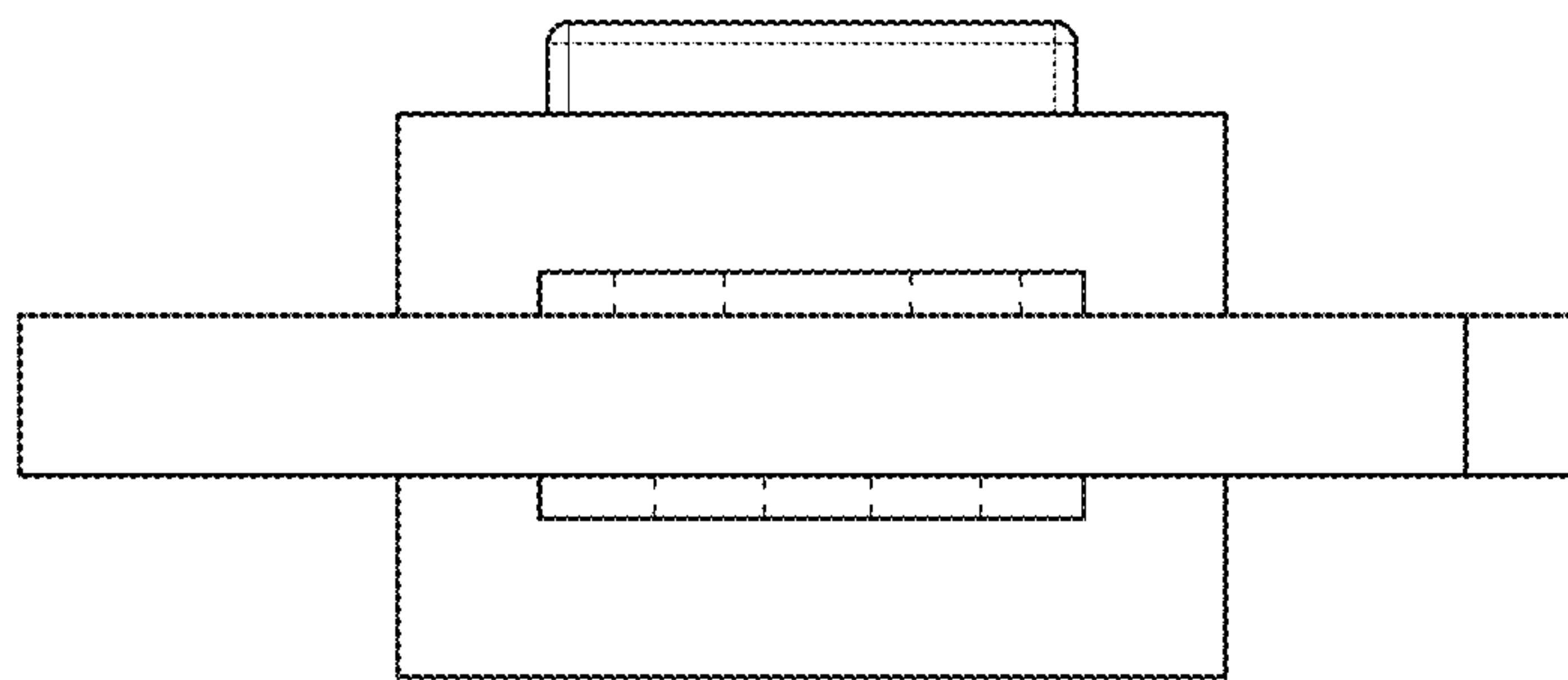


FIG. 4

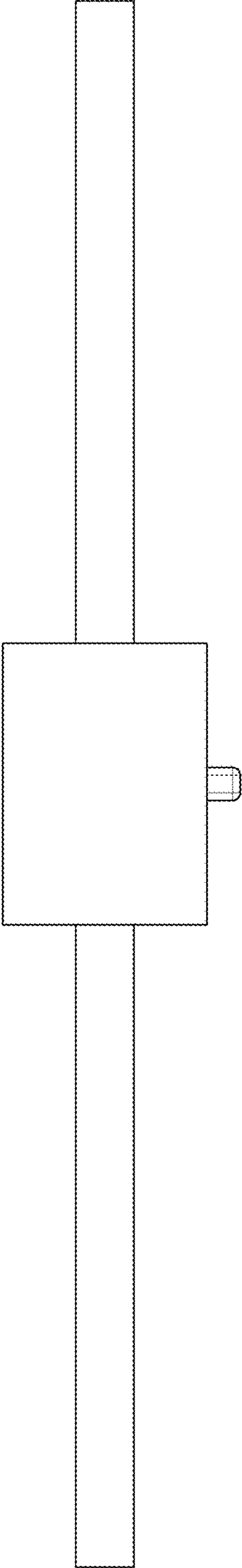


FIG. 6

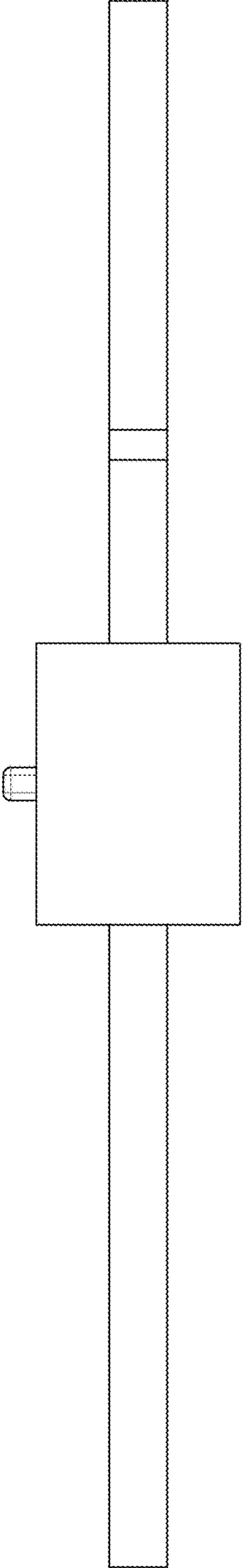


FIG. 7