



US00D805697S

(12) **United States Design Patent** (10) **Patent No.:** **US D805,697 S**
Pratley (45) **Date of Patent:** **** Dec. 19, 2017**

(54) **EAR DEFENDER**

- (71) Applicant: **JSP Limited**, Oxford (GB)
- (72) Inventor: **David Lee Pratley**, Oxford (GB)
- (73) Assignee: **JSP LIMITED**, Oxford (GB)
- (**) Term: **15 Years**
- (21) Appl. No.: **29/589,600**
- (22) Filed: **Jan. 3, 2017**

Related U.S. Application Data

- (62) Division of application No. 29/547,657, filed on Dec. 7, 2015, now Pat. No. Des. 789,615.

(30) **Foreign Application Priority Data**

- Jun. 23, 2015 (EM) 002724237
- (51) **LOC (10) Cl.** **29-02**
- (52) **U.S. Cl.**
USPC **D29/112**
- (58) **Field of Classification Search**
USPC D29/100, 102, 105, 106, 108, 112, 122;
D14/205, 223, 249
CPC A42B 3/16; A42B 3/163; A42B 3/166;
A61F 11/06; A61F 11/08; A61F 11/10;
A61F 11/12; A61F 11/14; A61F
2011/085; H04R 1/10; H04R 1/1008;
H04R 1/1016; H04R 1/105; H04R
1/1058; H04R 1/1066; H04R 1/1075;
H04R 1/1083; H04R 5/0335; H04R
25/652; H04R 25/654; H04R 25/656;
A63B 71/10

See application file for complete search history.

(56) **References Cited**

U.S. PATENT DOCUMENTS

2,883,671	A *	4/1959	Hornickel	A61F 11/14
				128/866
D255,352	S *	6/1980	Besasie	D14/205
D298,670	S *	11/1988	Palmaer	D14/205
D313,092	S *	12/1990	Nilsson	D14/205
5,068,923	A *	12/1991	Sjoqvist	A61F 11/14
				181/129
D403,126	S *	12/1998	Scanlon	D29/112
D411,200	S *	6/1999	Almqvist	D14/192
D413,413	S *	8/1999	Dillon	D14/205
D427,382	S *	6/2000	Leight	D29/112
6,151,717	A *	11/2000	Lindgren	A61F 11/14
				128/867
D509,323	S *	9/2005	Emilsson	D29/112
D512,708	S *	12/2005	Harris, Jr.	D14/205
D541,483	S *	4/2007	Birgersson	D29/112
D633,894	S *	3/2011	Meyer	D14/205
D648,706	S *	11/2011	Gresko	D14/205
D657,345	S *	4/2012	Brunner	H04R 5/033
				D14/205
D663,900	S *	7/2012	Karlsson	A61F 11/14
				D29/112
D685,759	S *	7/2013	Kelly	D14/205

(Continued)

Primary Examiner — Elizabeth J Oswecki
(74) *Attorney, Agent, or Firm* — King & Schickli, PLLC

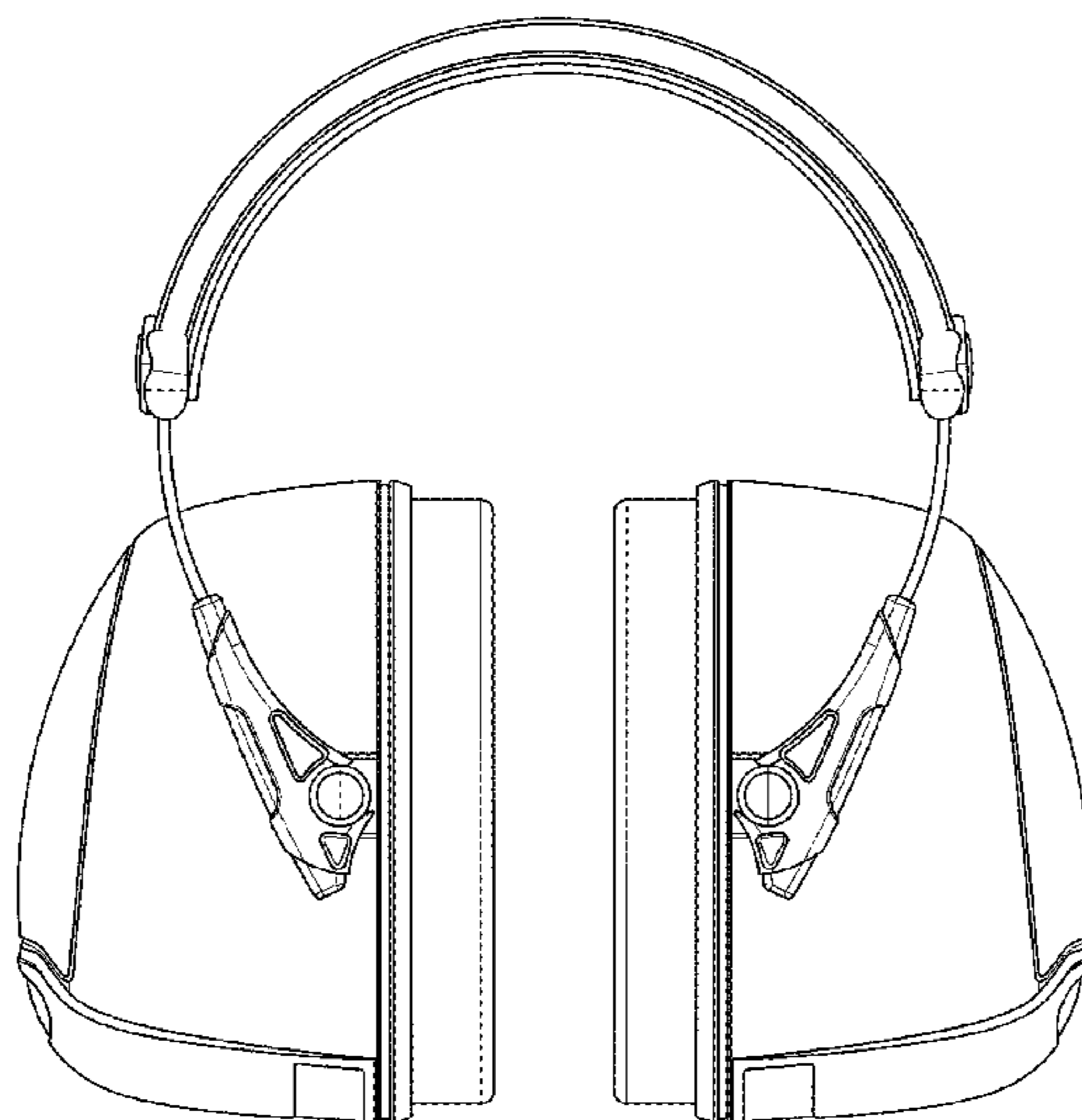
(57) **CLAIM**

The ornamental design for an ear defender, as shown and described.

DESCRIPTION

FIG. 1 is a front view of an ear defender showing my new design;
FIG. 2 is a bottom view thereof;
FIG. 3 is a top view thereof;
FIG. 4 is a side view thereof; and,
FIG. 5 is a perspective view thereof.
The broken lines shown in the drawings represent portions of the ear defender that form no part of the claimed design.

1 Claim, 5 Drawing Sheets



(56)

References Cited

U.S. PATENT DOCUMENTS

D736,475	S	*	8/2015	Fletcher	D29/112
D741,286	S	*	10/2015	Brennwald	D14/205
D741,288	S	*	10/2015	Galler	D14/205
D747,557	S	*	1/2016	Bonney	D29/112
D752,816	S	*	3/2016	Fletcher	D29/112
D766,207	S	*	9/2016	Paterson	D14/205
D766,208	S	*	9/2016	Paterson	D14/205
D772,841	S	*	11/2016	Levine	D14/205
D772,842	S	*	11/2016	Sharp	D14/205
D784,957	S	*	4/2017	Hsieh	D14/205
D786,824	S	*	5/2017	Hembrey	D14/205
D788,071	S	*	5/2017	Logan	D14/205

* cited by examiner

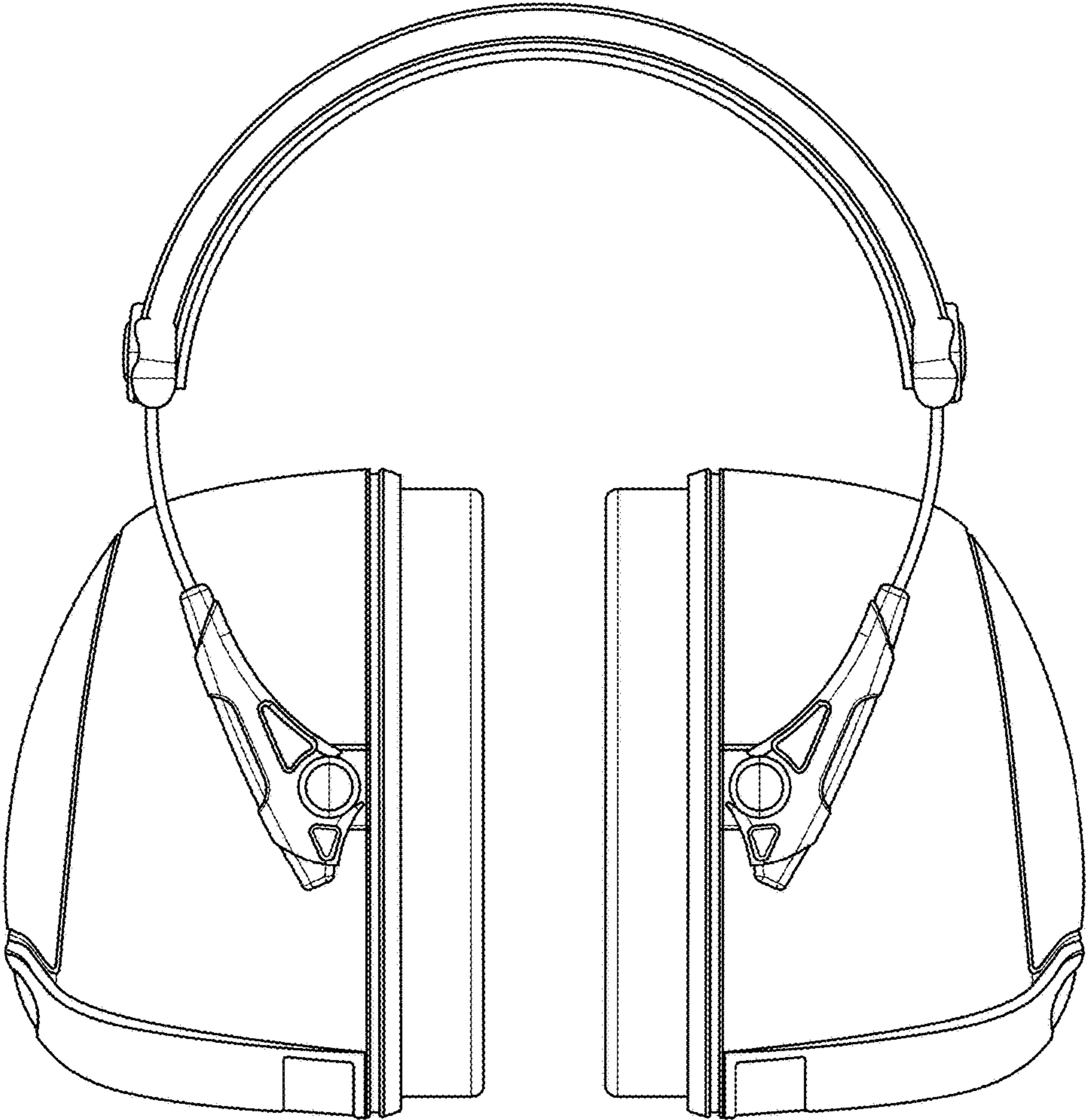


Fig. 1

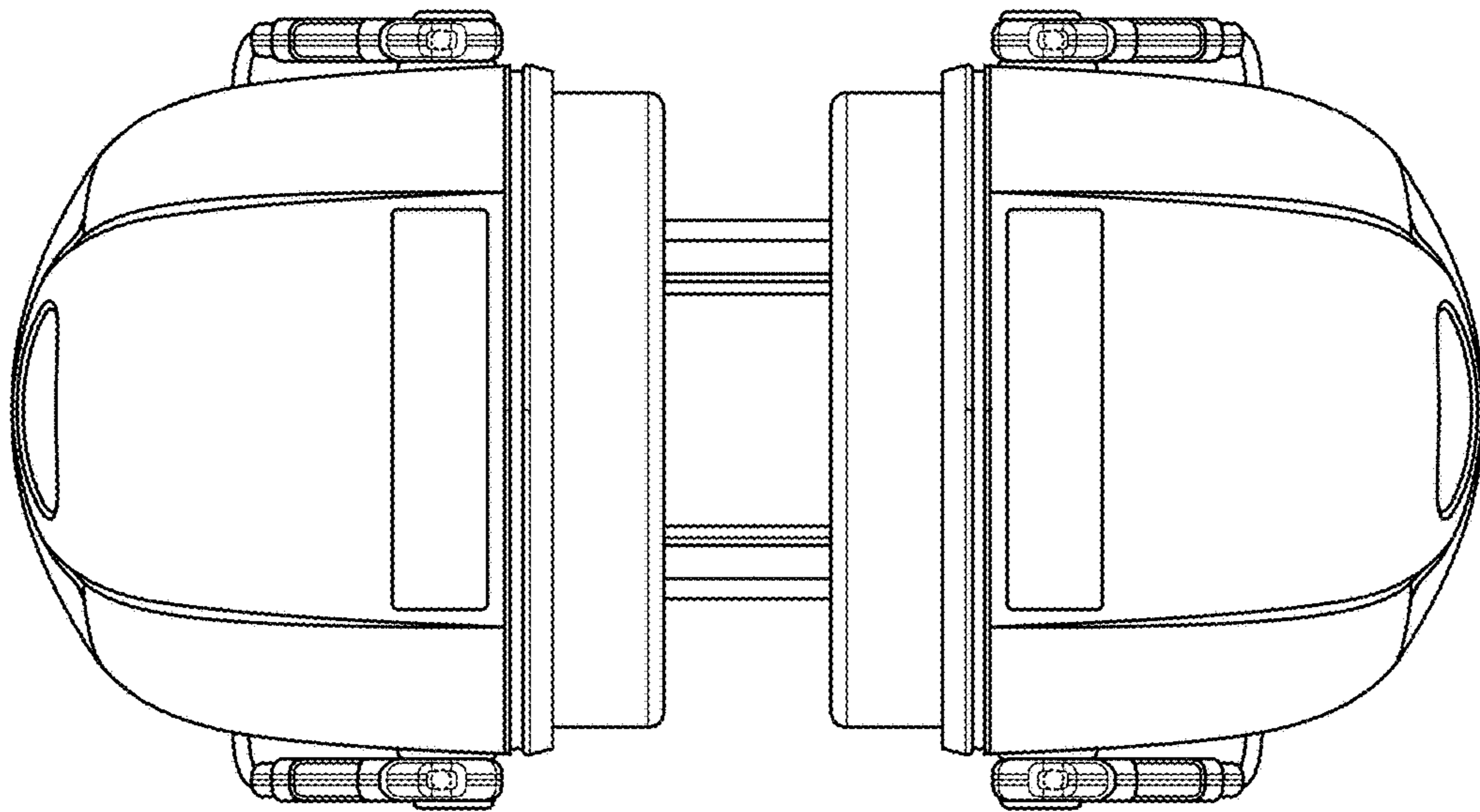


Fig. 2

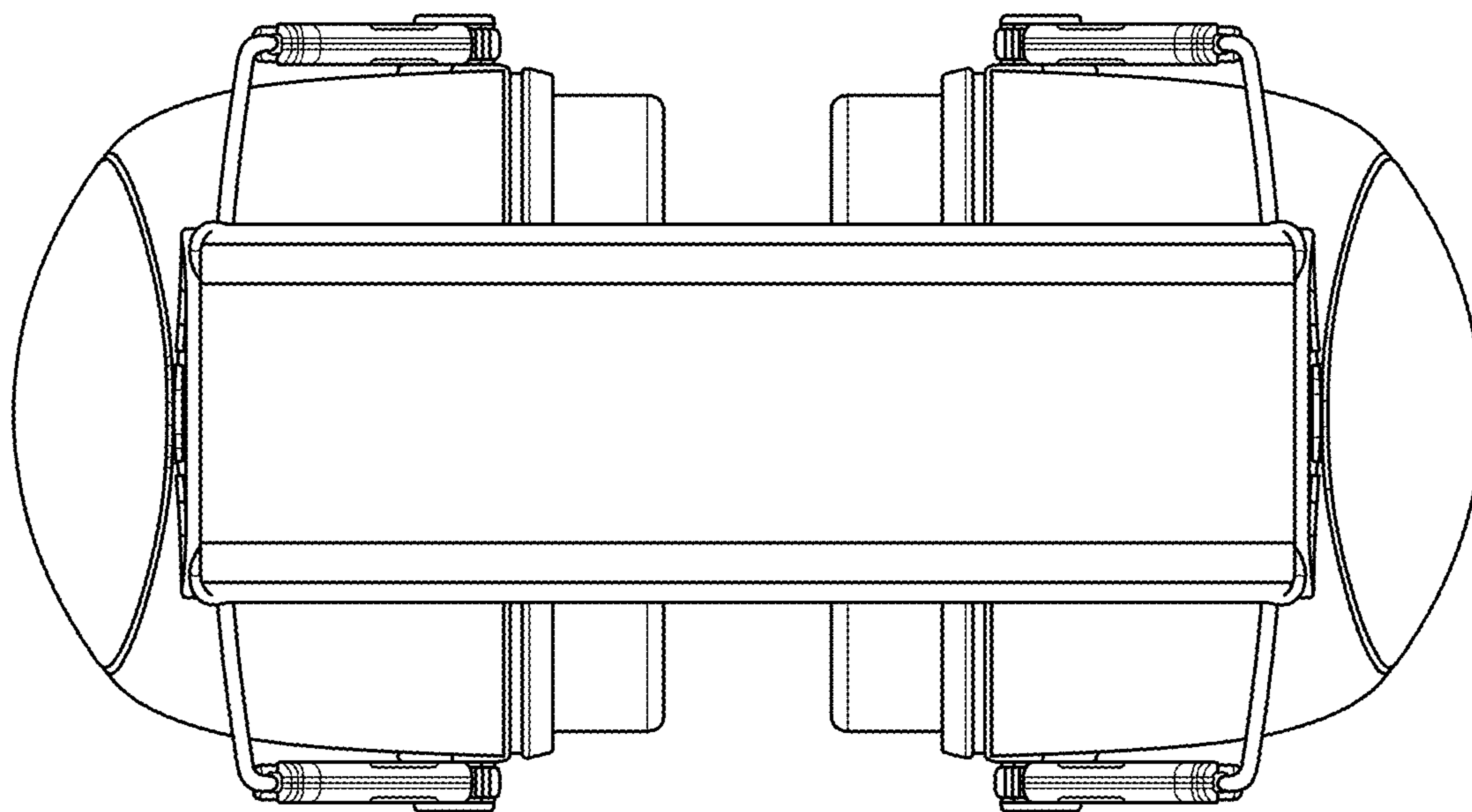


Fig. 3

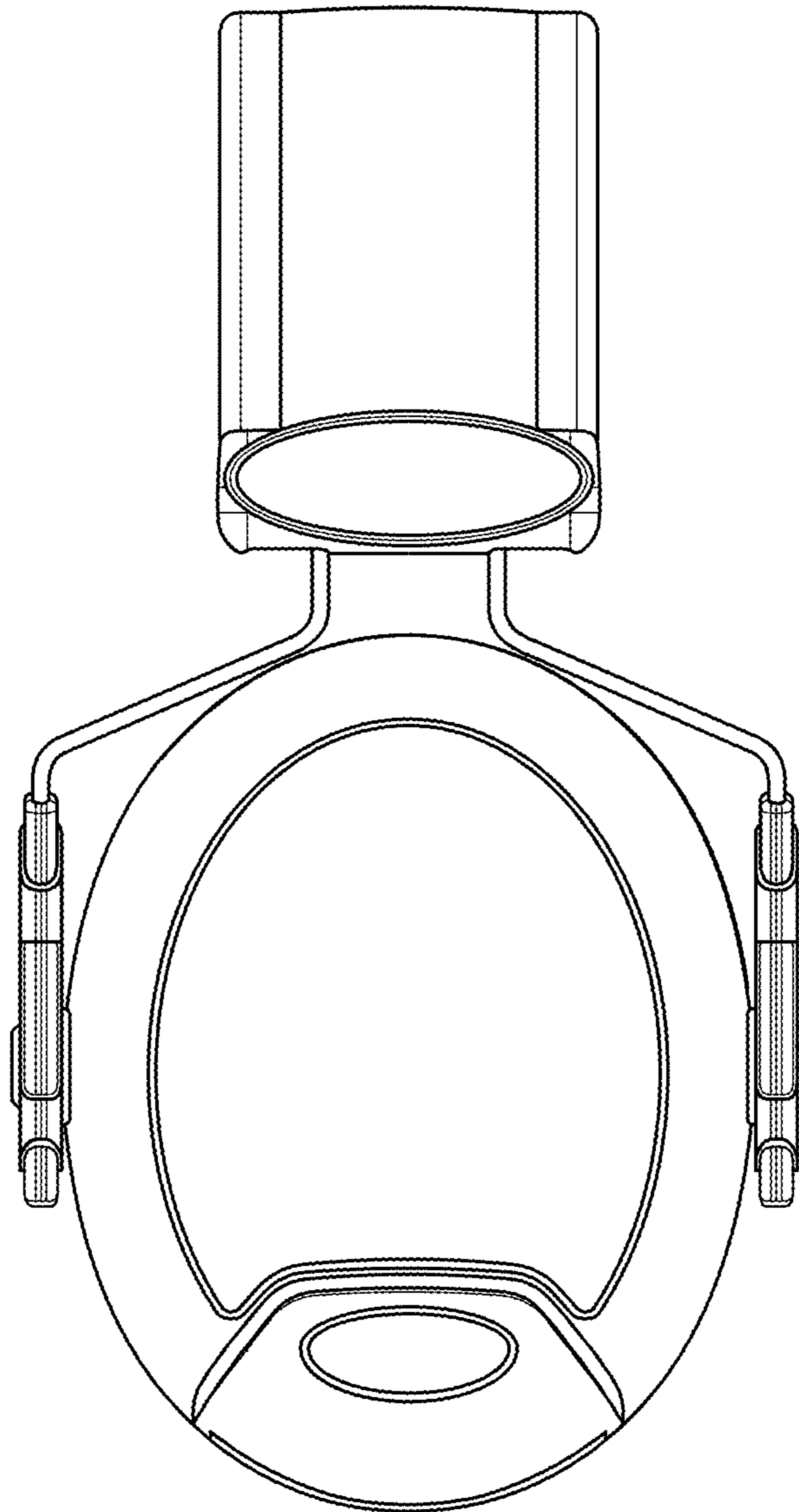


Fig. 4

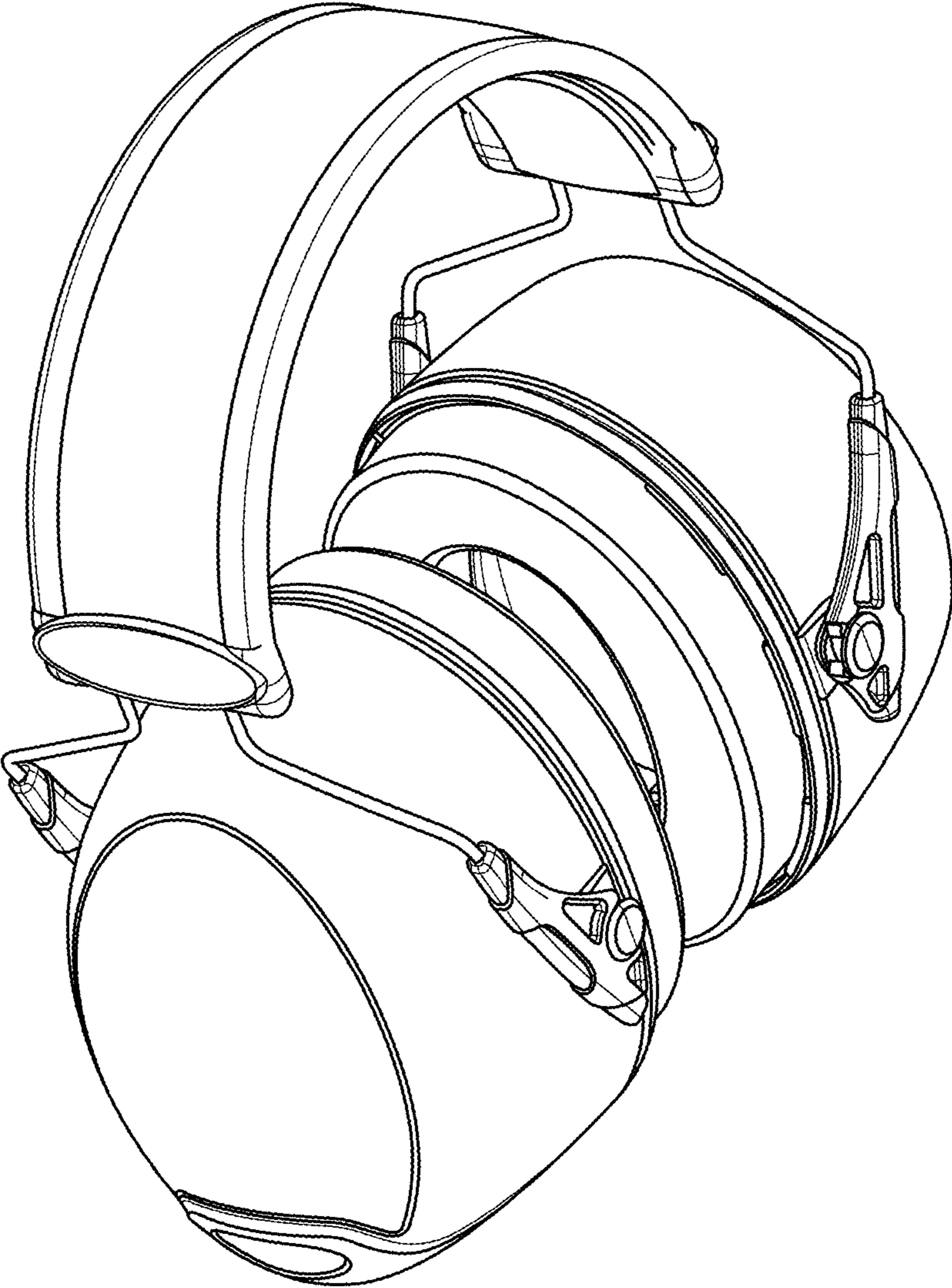


Fig. 5