



US00D805696S

(12) **United States Design Patent** (10) **Patent No.:** **US D805,696 S**
Lebel et al. (45) **Date of Patent:** **** Dec. 19, 2017**

(54) **HELMET**

3/0473; A42B 3/127; A63B 71/10; A63B 71/105; A41D 13/0512

(71) Applicant: **Revision Military S.a.r.L.**,
Luxembourg (LU)

See application file for complete search history.

(72) Inventors: **Stéphane Lebel**, St. Redempteur (CA);
Dominic Giroux Bernier, St-Gabriel de
Brandon (CA); **Celine Gagnon**,
St-Jerome (CA); **Maryanne**
MacDougall, Lachine (CA); **Richard**
Coomber, Montreal (CA)

(56) **References Cited**

U.S. PATENT DOCUMENTS

D251,156 S	2/1979	Schleicher et al.	
D376,674 S	12/1996	Kamata	
5,765,235 A	6/1998	Arnold	
D446,357 S	8/2001	Shida	
D492,450 S	6/2004	Fournier et al.	
6,766,537 B1	7/2004	Maki et al.	
D498,563 S	11/2004	Fournier et al.	
D511,227 S	11/2005	Canavan et al.	
D513,094 S	12/2005	Dorian	
D524,992 S	7/2006	Belin et al.	
7,181,777 B2	2/2007	Choi et al.	
D539,988 S	4/2007	Crafoord et al.	
D577,156 S	9/2008	Udelhofen et al.	
D628,347 S	11/2010	Chen	
D632,437 S	2/2011	Lebel et al.	
D640,010 S	6/2011	Mateu Codina	
D645,210 S *	9/2011	Chilson	D29/106
D655,048 S *	2/2012	Moeller	D29/102

(73) Assignee: **Revision Military S.a.r.L.**,
Luxembourg (LU)

(**) Term: **15 Years**

(21) Appl. No.: **29/594,018**

(22) Filed: **Feb. 15, 2017**

Related U.S. Application Data

(63) Continuation of application No. 29/547,034, filed on
Nov. 30, 2015, now Pat. No. Des. 782,121.

(51) **LOC (10) Cl.** **29-02**

(52) **U.S. Cl.**
USPC **D29/102**

(58) **Field of Classification Search**

USPC D29/100, 102, 104, 105, 106, 107, 108,
D29/109, 110, 122
CPC .. A42B 1/066; A42B 1/00; A42B 1/06; A42B
3/228; A42B 3/00; A42B 3/08; A42B
3/32; A42B 3/222; A42B 3/20; A42B
3/227; A42B 3/105; A42B 3/04; A42B
3/06; A42B 3/0406; A42B 3/18; A42B
3/166; A42B 3/16; A42B 3/22; A42B

Primary Examiner — Randall Gholson

(74) *Attorney, Agent, or Firm* — Wolf, Greenfield &
Sacks, P.C.

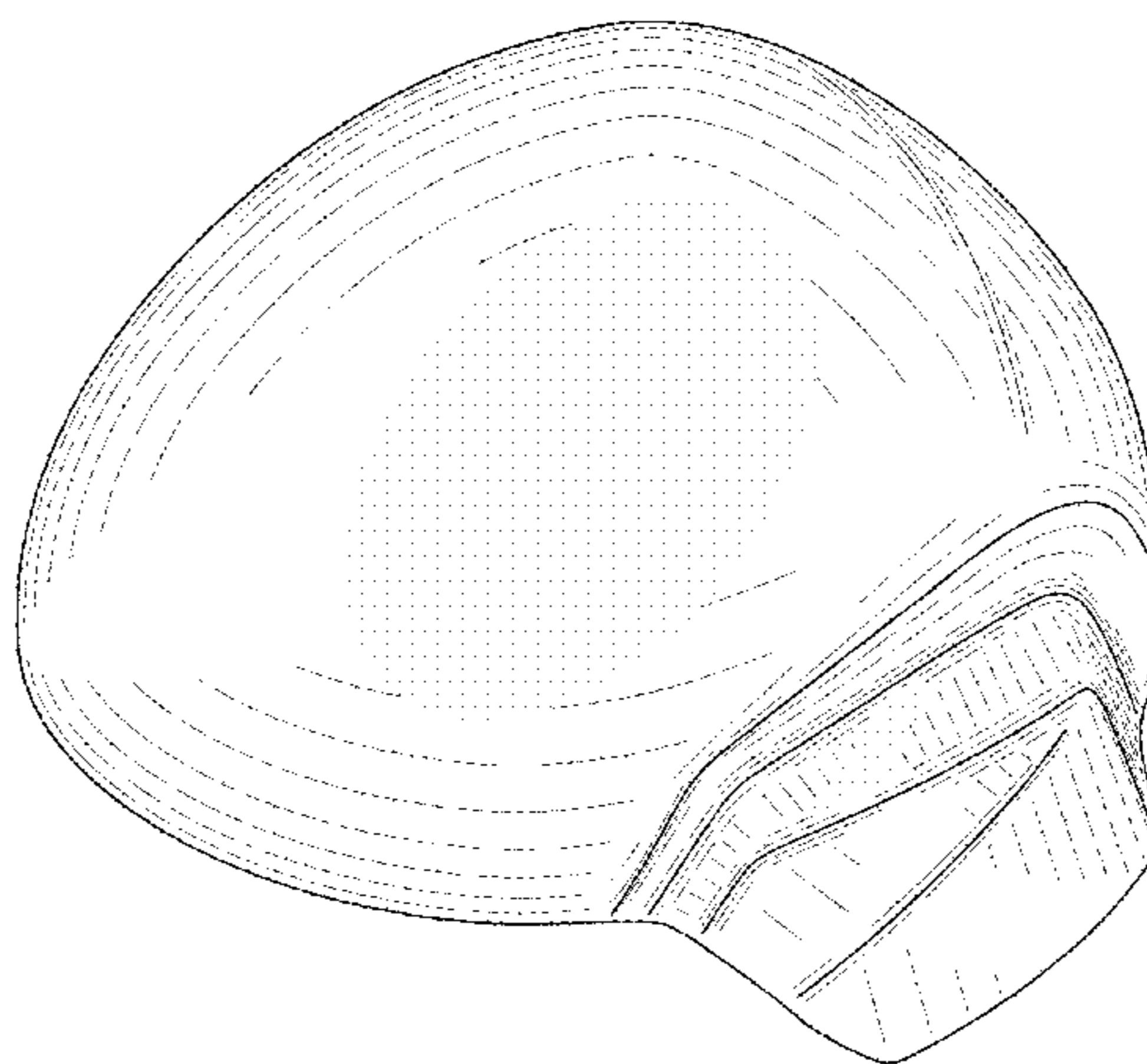
(57) **CLAIM**

The ornamental design for a helmet, as shown and
described.

DESCRIPTION

FIG. 1 is a top, rear, left side perspective view of a helmet
according to our new design;
FIG. 2 is a front elevational view thereof;
FIG. 3 is a rear elevational view thereof;
FIG. 4 is a top plan view thereof;
FIG. 5 is a bottom plan view thereof; and,
FIG. 6 is a right side elevational view thereof, the left side
elevational view being a mirror image of FIG. 6.

(Continued)



The broken lines represent portions of the helmet that form no part of the claimed design.

1 Claim, 5 Drawing Sheets

(56)

References Cited

U.S. PATENT DOCUMENTS

D678,617 S *	3/2013	Erb	D29/106
D681,281 S *	4/2013	Bologna	D29/106
D692,187 S	10/2013	Isobe	
D735,949 S	8/2015	Dion	
D735,950 S	8/2015	Dion	
2012/0117717 A1	5/2012	McGinn et al.	
2013/0191974 A1	8/2013	Lebel et al.	
2013/0291290 A1	11/2013	Bernier et al.	
2015/0026872 A1	1/2015	Giroux Bernier et al.	
2015/0282549 A1	10/2015	Lebel et al.	

* cited by examiner

FIG. 1

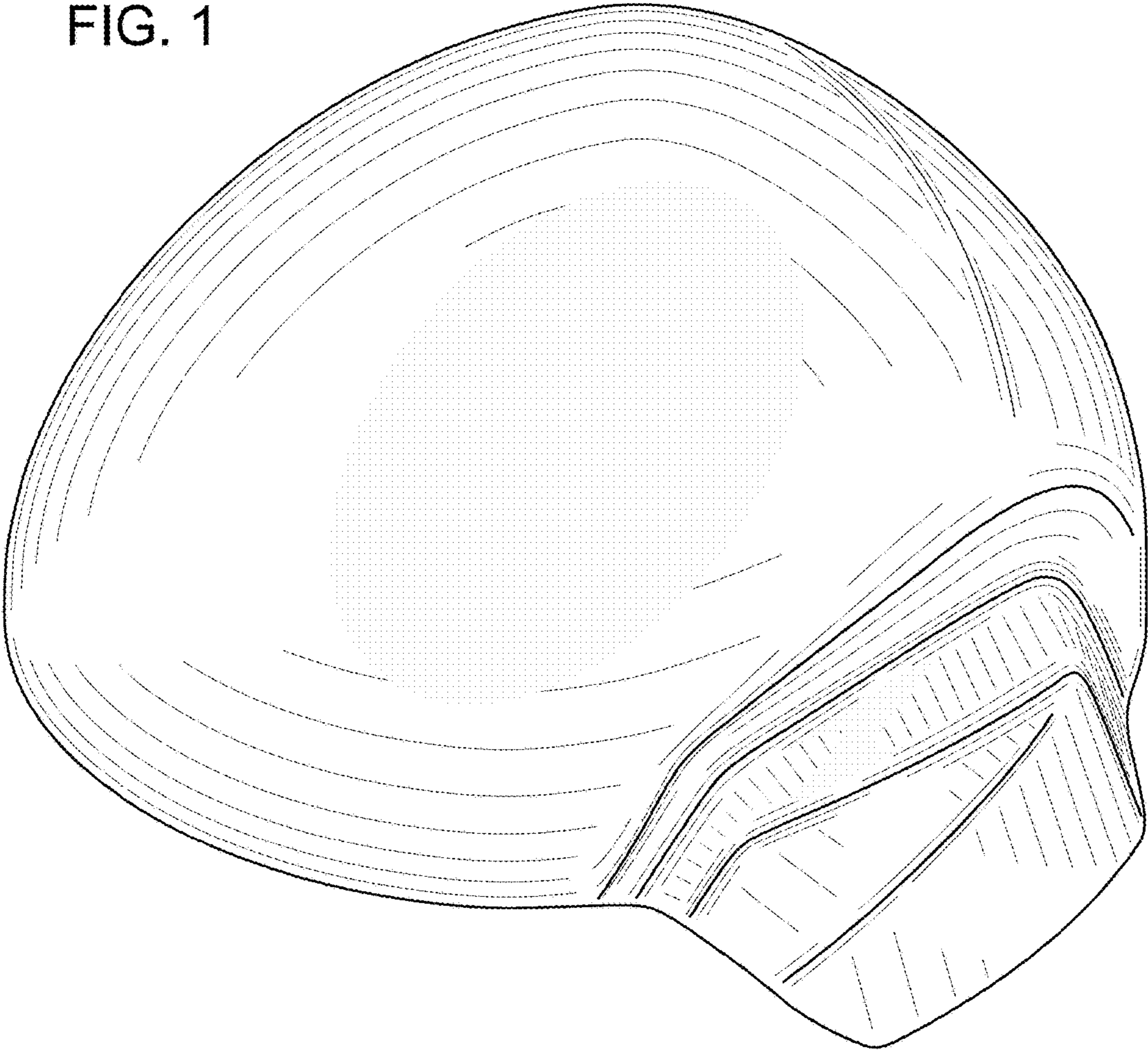


FIG. 2

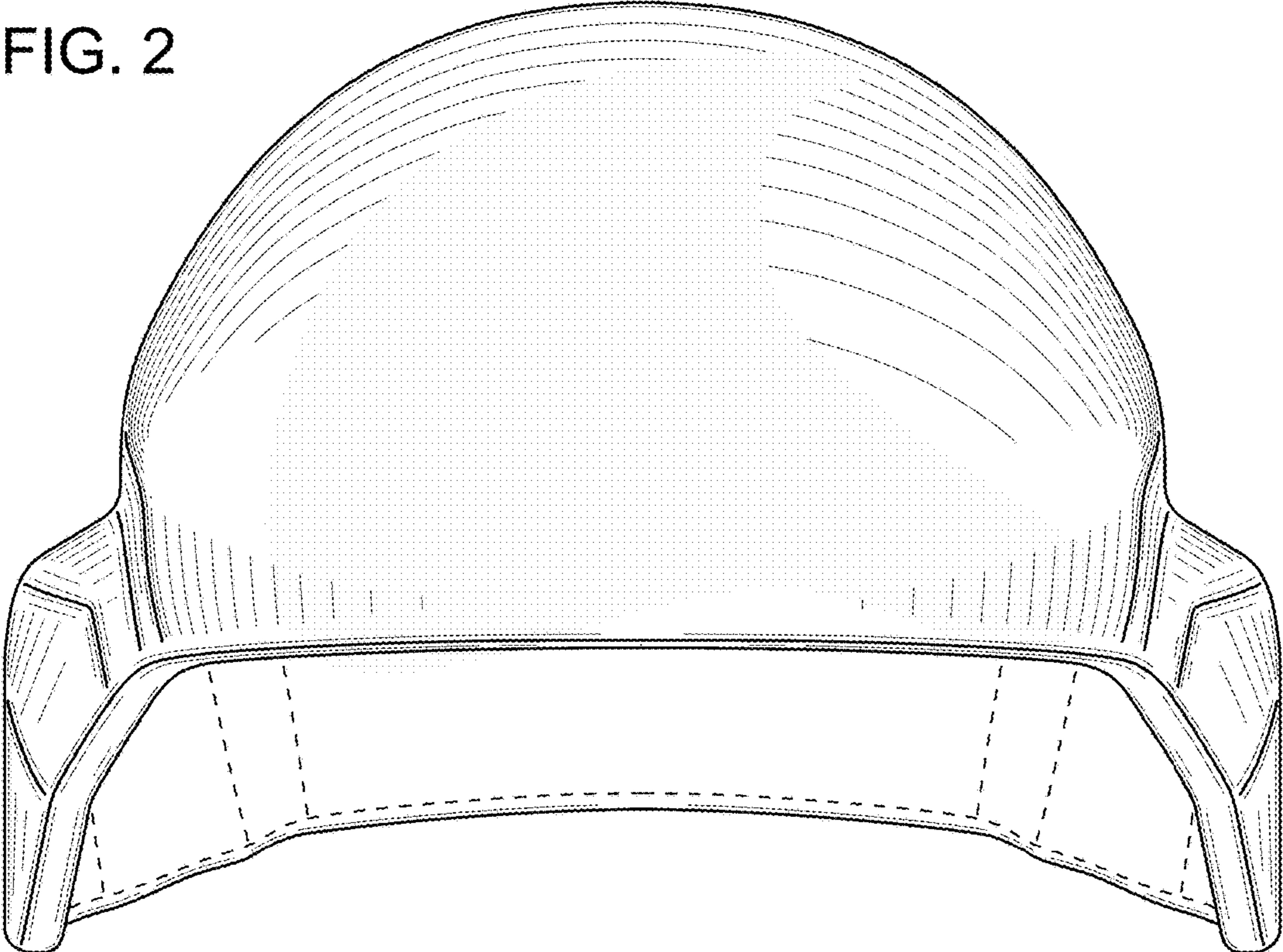


FIG. 3

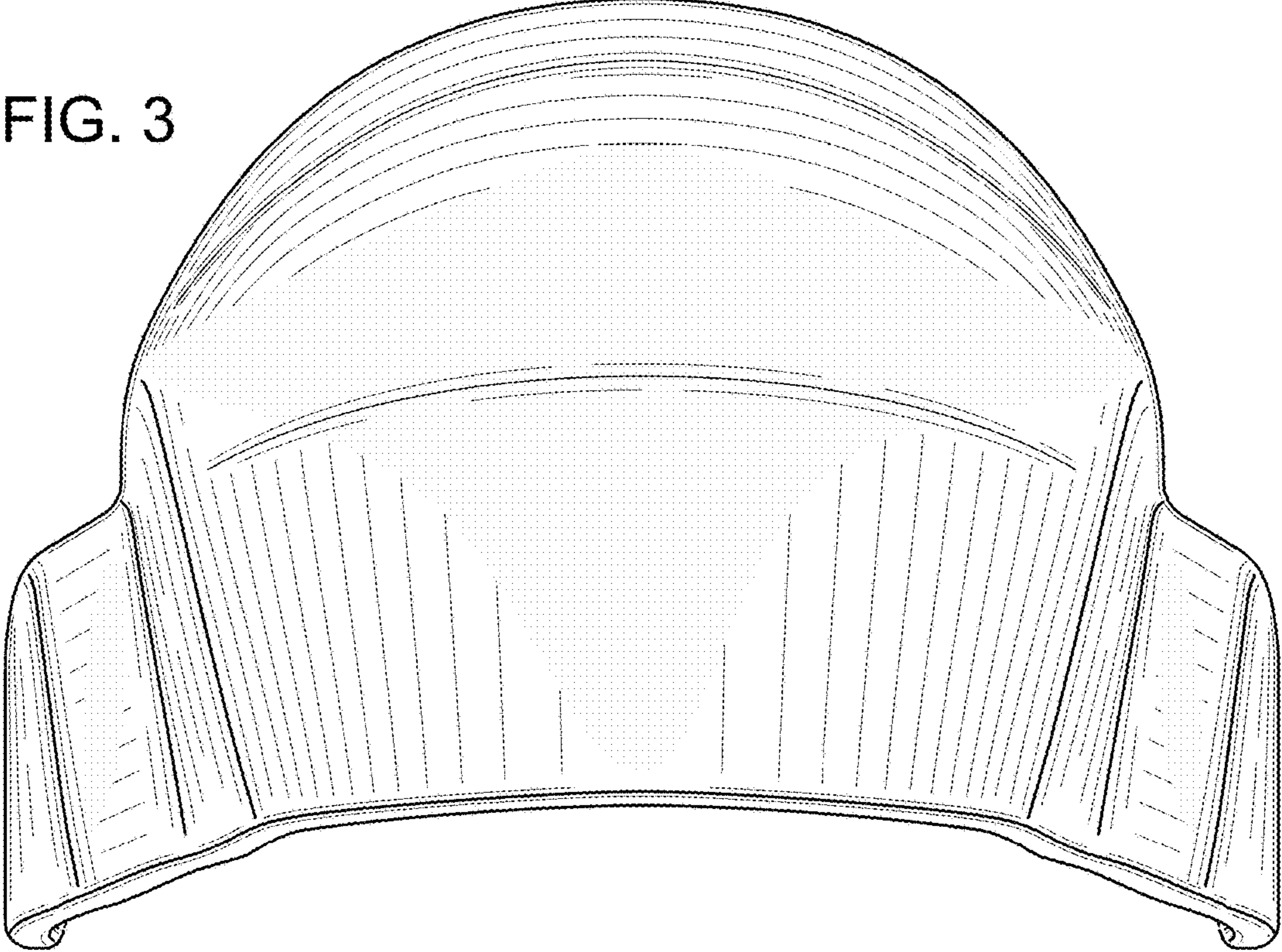


FIG. 4

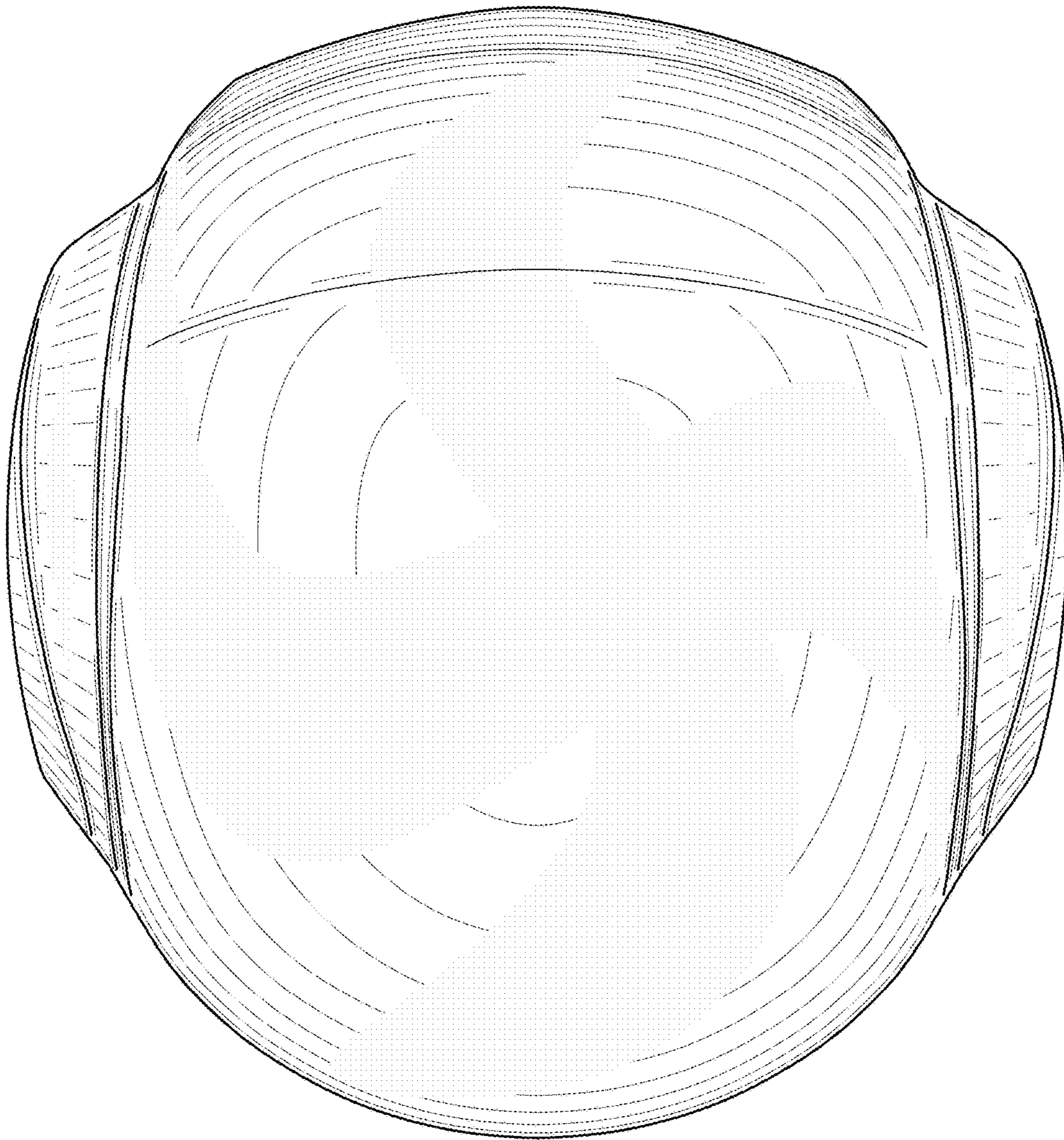


FIG. 5

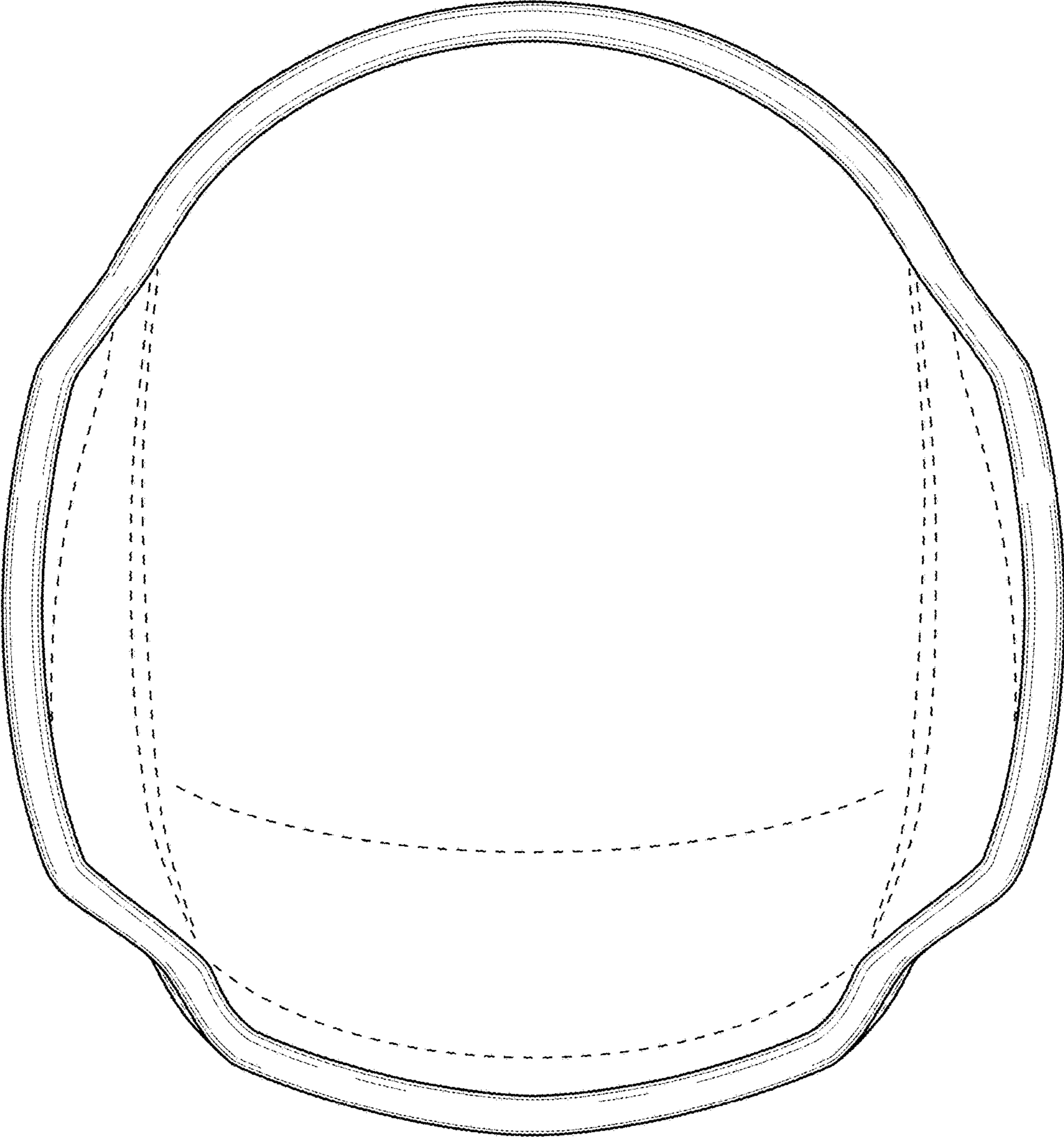


FIG. 6

