



US00D805693S

(12) **United States Design Patent**
Evans et al.

(10) **Patent No.:** **US D805,693 S**

(45) **Date of Patent:** **** *Dec. 19, 2017**

(54) **FLOSS DISPENSER**

(71) Applicant: **Flosstime Inc.**, Palo Alto, CA (US)

(72) Inventors: **Michael Evans**, Palo Alto, CA (US);
Duc Duong, Mountain View, CA (US);
Gregorio Faria, Palo Alto, CA (US);
Christopher Loew, Palo Alto, CA (US)

(73) Assignee: **Flosstime Inc.**, Palo Alto, CA (US)

(*) Notice: This patent is subject to a terminal disclaimer.

(**) Term: **15 Years**

(21) Appl. No.: **29/543,732**

(22) Filed: **Oct. 27, 2015**

Related U.S. Application Data

(63) Continuation-in-part of application No. 14/835,498, filed on Aug. 25, 2015.

(51) **LOC (10) Cl.** **28-03**

(52) **U.S. Cl.**
USPC **D28/66**

(58) **Field of Classification Search**
USPC D28/66-68; D24/152; 433/141,
433/146-147; 132/322-329
CPC A61C 15/045-15/048
See application file for complete search history.

(56) **References Cited**

U.S. PATENT DOCUMENTS

- | | | | |
|---------------|---------|----------|------------------------|
| 1,171,177 A | 2/1916 | de l'Eau | |
| 1,260,011 A | 3/1918 | Muchow | |
| 1,454,429 A * | 5/1923 | Dresser | A61C 15/043
132/325 |
| 3,525,462 A * | 8/1970 | Freedman | A61C 15/043
225/21 |
| 3,830,246 A | 8/1974 | Gillings | |
| 3,853,134 A | 12/1974 | McCord | |

- | | | | |
|---------------|--------|-----------|-----------------------|
| 3,894,550 A | 7/1975 | Eaton | |
| D266,194 S * | 9/1982 | Graves | D28/67 |
| 4,804,101 A * | 2/1989 | Heath | A45C 11/00
206/236 |
| 4,836,415 A | 6/1989 | Grussmark | |
| D306,500 S * | 3/1990 | Brahler | D28/66 |
- (Continued)

FOREIGN PATENT DOCUMENTS

WO WO 2001078623 A1 10/2001

OTHER PUBLICATIONS

Dispenser9, "Toothpaste Dispenser & Dental Floss & Toothbrushes (3 in 1)" [online], uploaded on Jun. 29, 2009 (Jun. 29, 2009), <https://www.youtube.com/watch?v=klu9ilmu1yA>.

(Continued)

Primary Examiner — George D Kirschbaum

Assistant Examiner — Joseph Kukella

(74) *Attorney, Agent, or Firm* — Jinn Su

(57) **CLAIM**

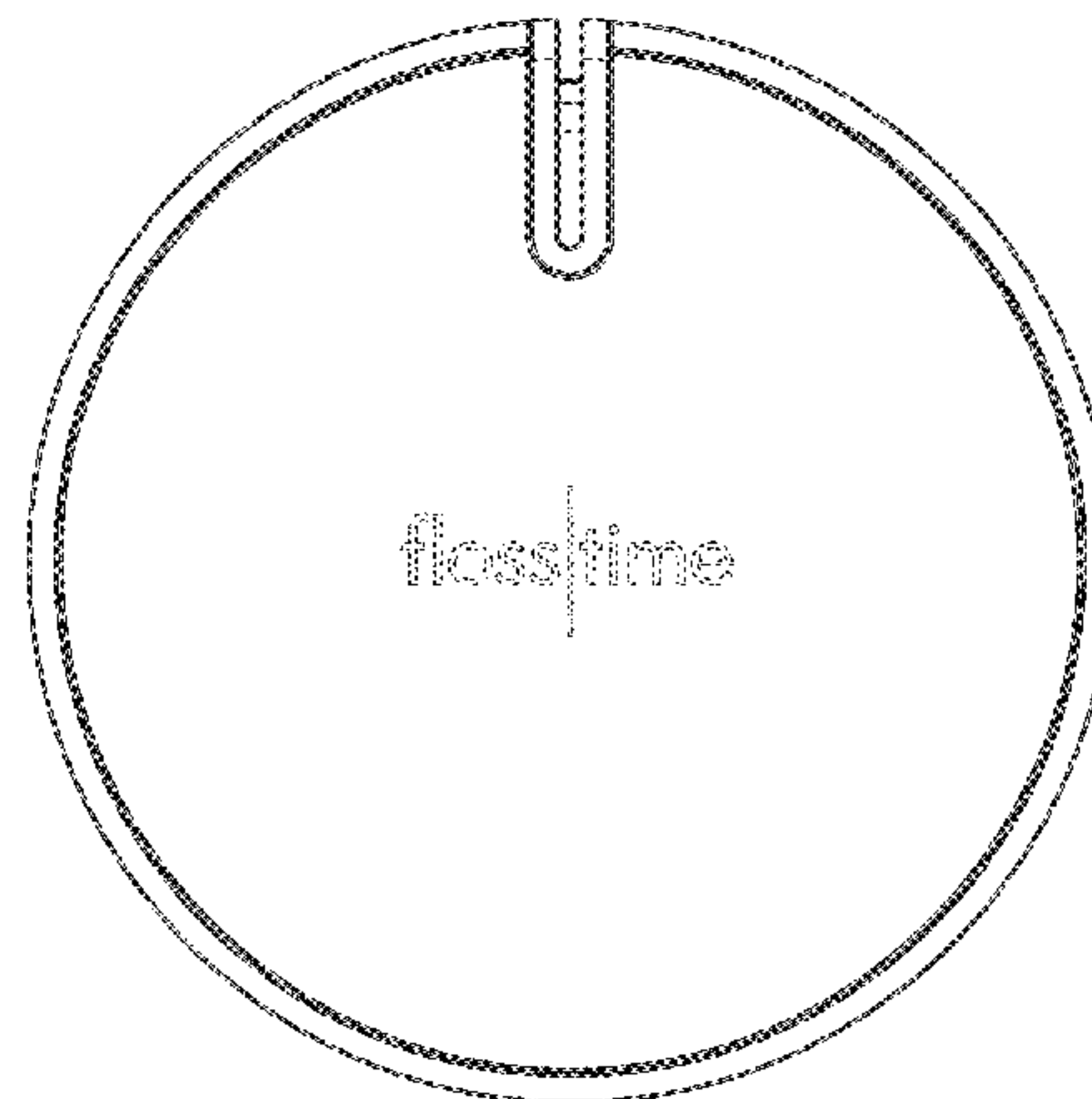
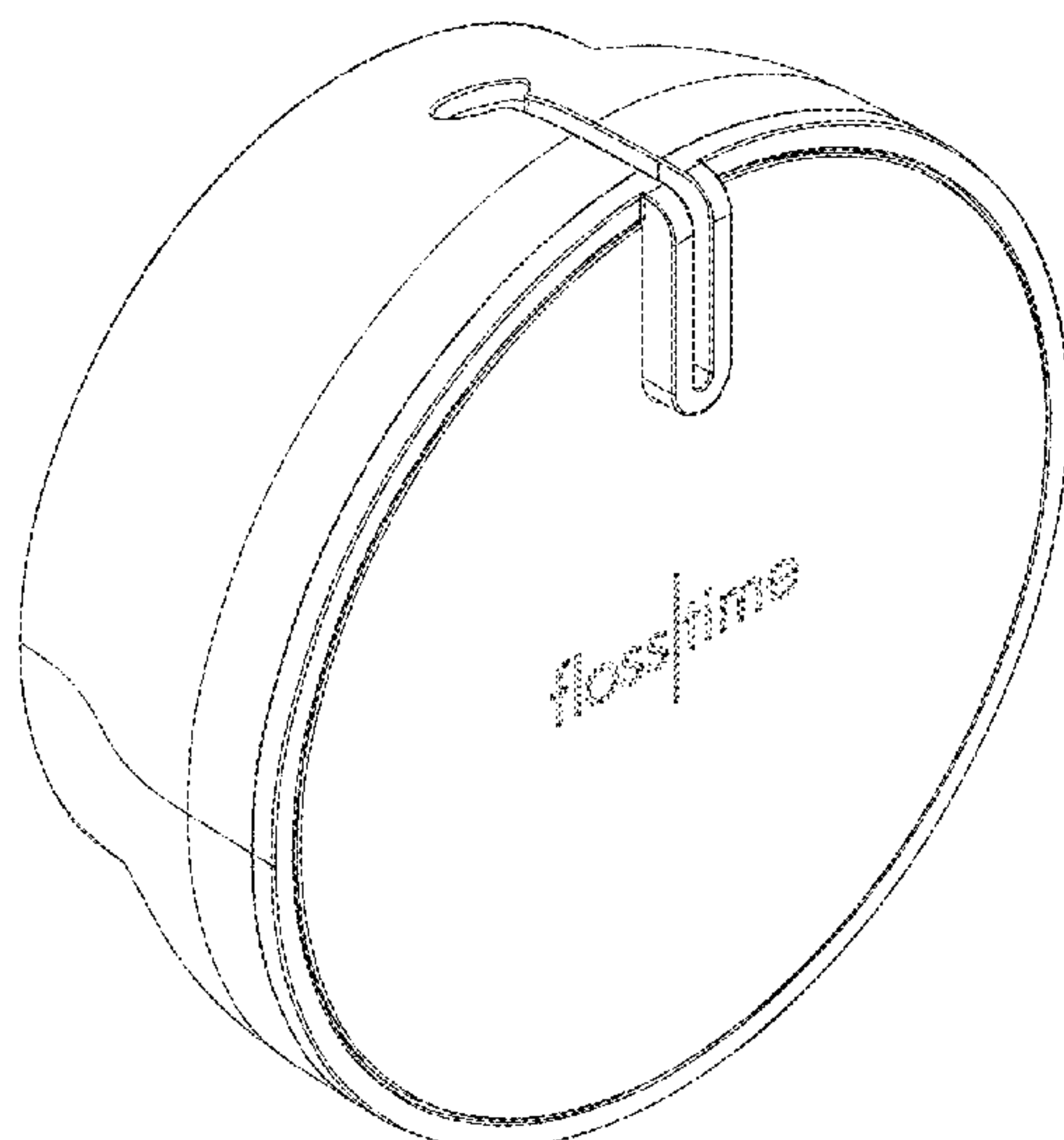
The ornamental design for a floss dispenser, as shown and described.

DESCRIPTION

FIG. 1 is a front perspective view of a first embodiment of a floss dispenser showing our new design; FIG. 2 is a rear perspective view thereof; FIG. 3 is a front view thereof; FIG. 4 is a rear view thereof; FIG. 5 is a left side view thereof; FIG. 6 is a right side view thereof; FIG. 7 is a top view thereof; and, FIG. 8 is a bottom view thereof.

The drawings include CAD lines that represent contour, not surface ornamentation. The broken lines illustrate portions of the floss dispenser that form no part of the claimed design.

1 Claim, 3 Drawing Sheets



(56)

References Cited

U.S. PATENT DOCUMENTS

4,991,755 A 2/1991 Grusmark
 5,076,423 A 12/1991 Russack
 5,170,809 A 12/1992 Imai et al.
 5,184,959 A 2/1993 Oryhon et al.
 5,335,798 A 8/1994 Bonwell et al.
 5,400,839 A 3/1995 Cravett
 5,629,527 A 5/1997 Levitt et al.
 5,645,206 A 7/1997 Ippisch
 D399,603 S * 10/1998 Hemsley, Jr. D28/66
 5,826,594 A 10/1998 Sokal
 5,924,429 A 7/1999 Morando
 6,009,886 A 1/2000 Labranche et al.
 6,832,916 B2 12/2004 Collopy
 D506,290 S * 6/2005 Longoni D28/66
 D510,461 S * 10/2005 Vu D28/66
 D524,153 S * 7/2006 Reinhard D9/428
 D561,399 S * 2/2008 Hadtke D28/66
 7,654,484 B2 * 2/2010 Mogensen A61M 5/1418
 242/402
 D635,015 S * 3/2011 McKenzie D9/416

8,015,982 B2 9/2011 Wilkinson
 8,033,428 B1 10/2011 McEwin
 8,358,203 B1 1/2013 Perry
 8,550,299 B2 10/2013 Lohmann
 D706,988 S * 6/2014 Deurloo D28/66
 D716,499 S * 10/2014 Li D28/66
 2003/0017874 A1 1/2003 Jianfei et al.
 2008/0257377 A1 10/2008 Burrows
 2012/0167912 A1 7/2012 Booker
 2012/0171657 A1 7/2012 Ortins et al.

OTHER PUBLICATIONS

Marcelmbv, "Dental Floss Dispenser" [online], uploaded on Mar. 15, 2007 (Mar. 15, 2007), <https://www.youtube.com/watch?v=wWHacUNkCxM>.
 TOYT, "The TOYT Mountable Dental Floss Dispenser" [online], uploaded on Feb. 17, 2014 (Feb. 17, 2004), https://www.youtube.com/watch?v=yO_VgLPkGR4.
 PCT application PCT/US2015/046794 (Flosstime 001 PCT), Feb. 16, 2016 ISR/WO.

* cited by examiner

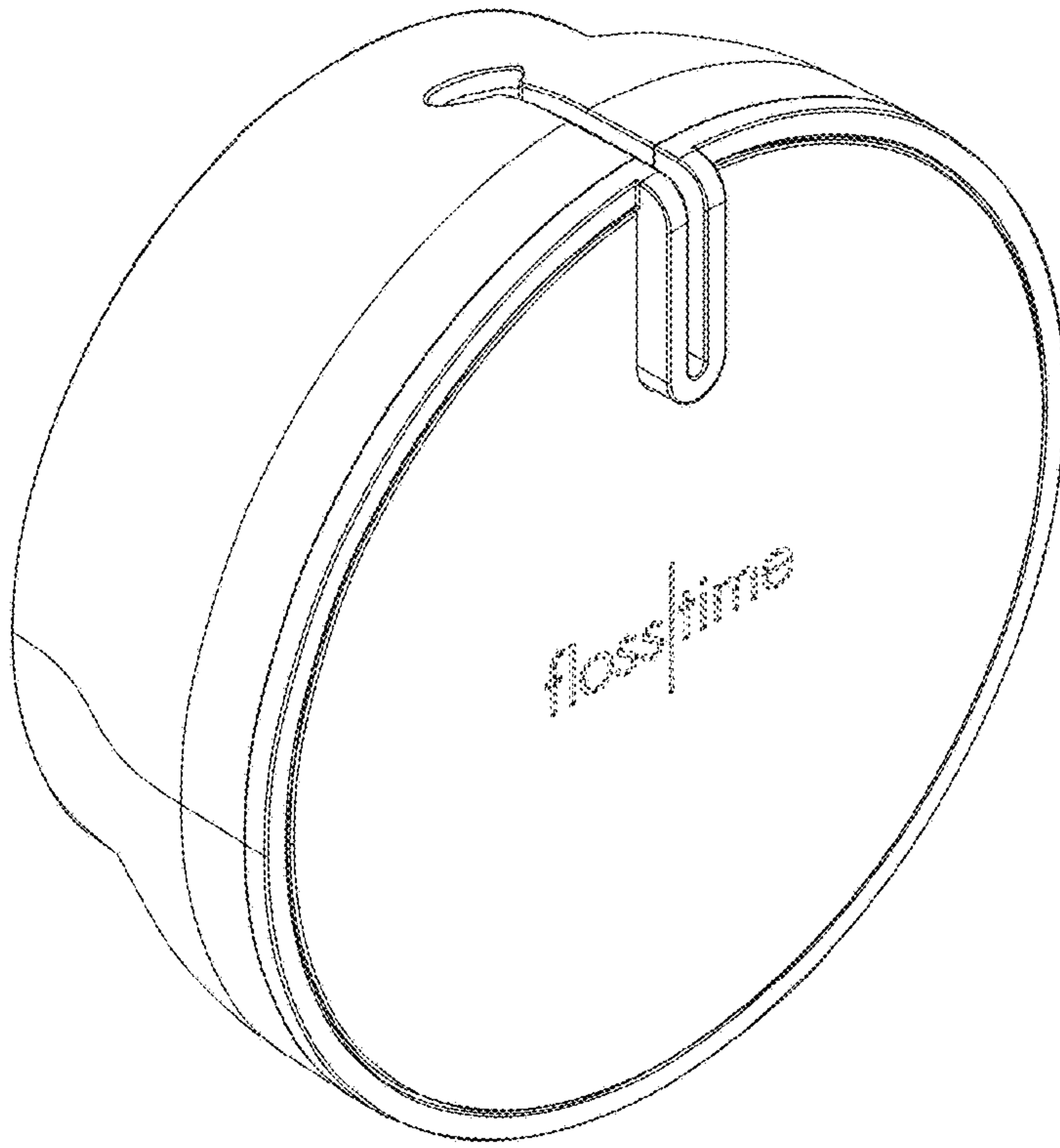


FIG. 1

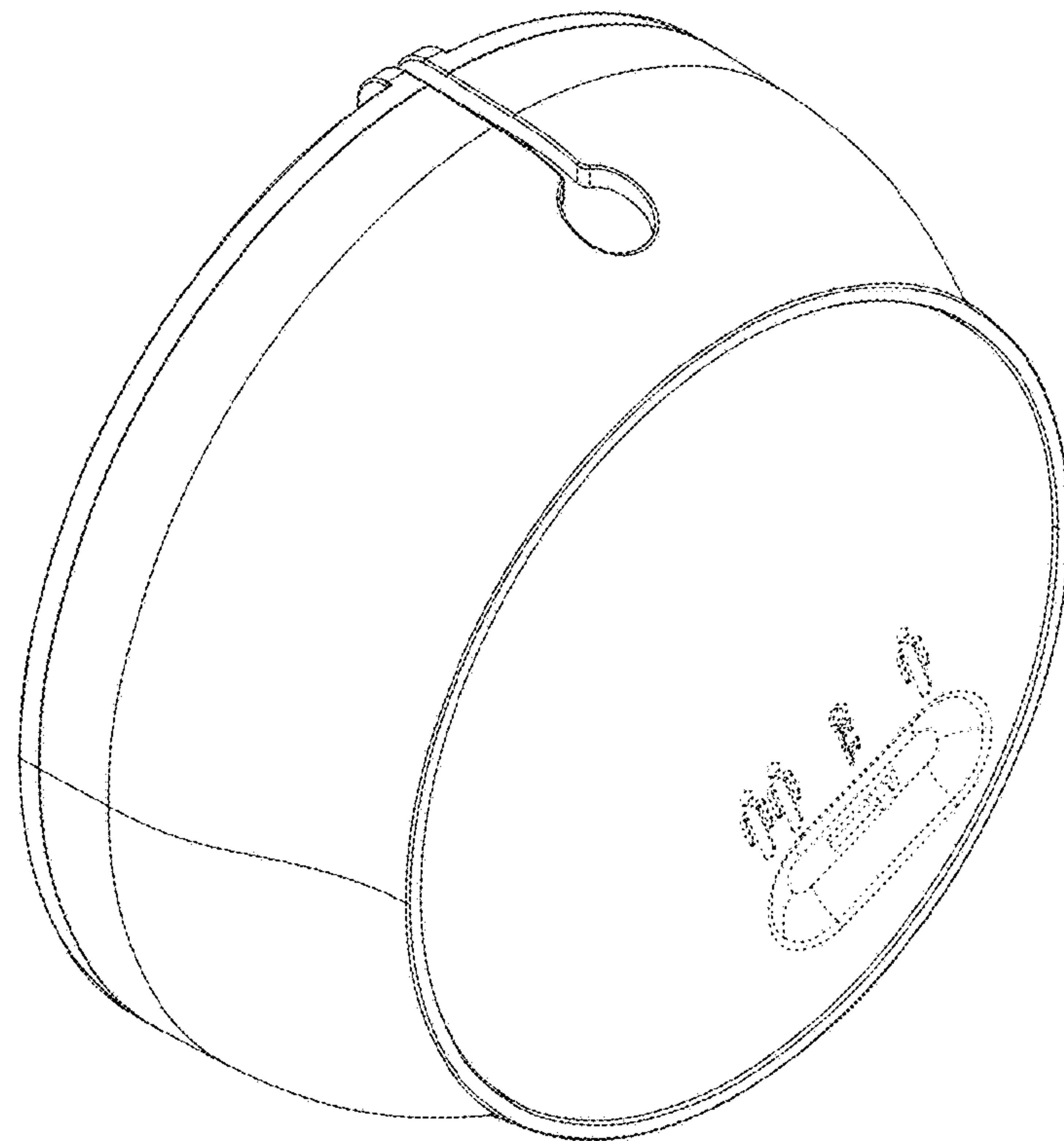


FIG. 2

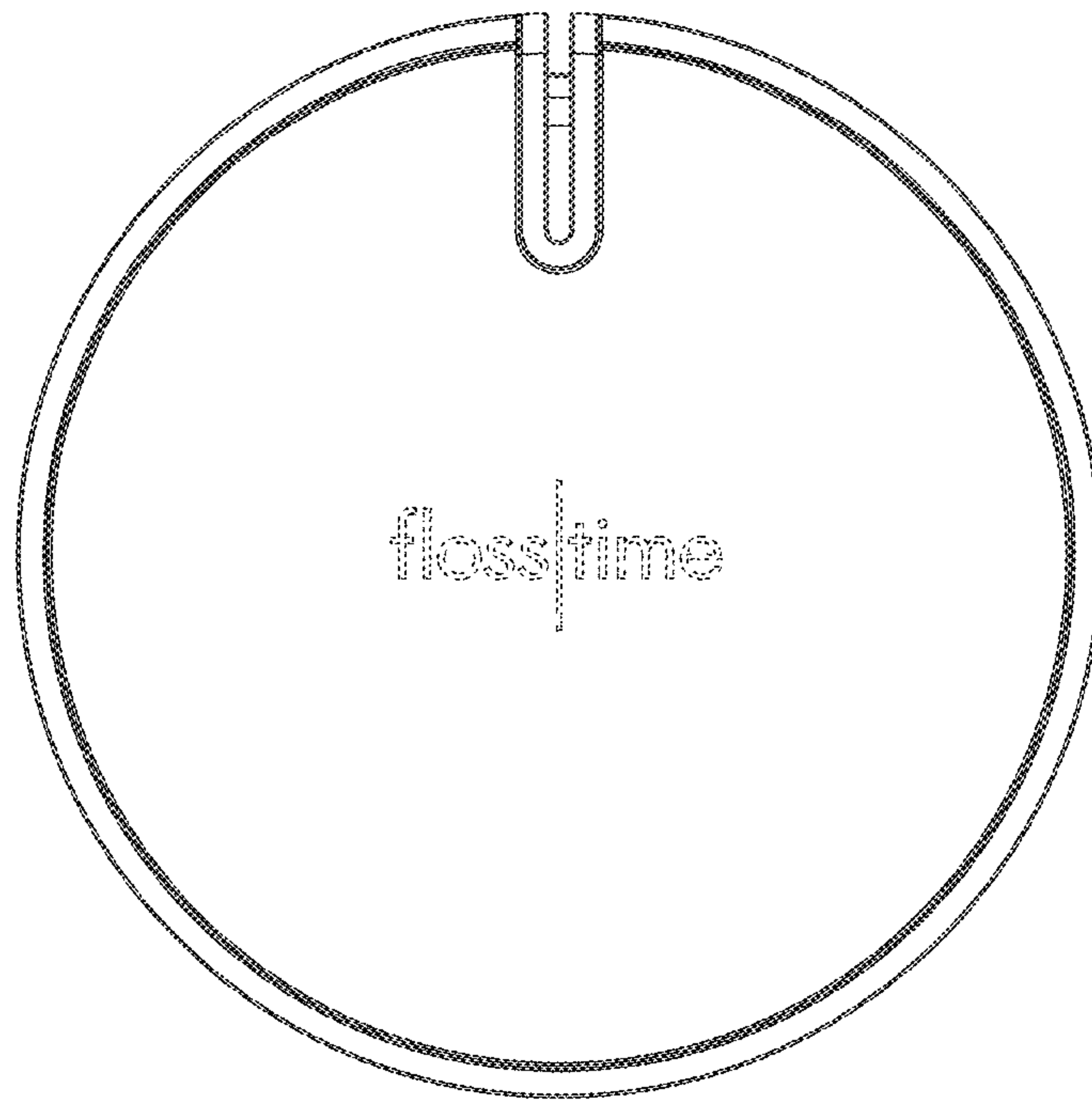


FIG. 3

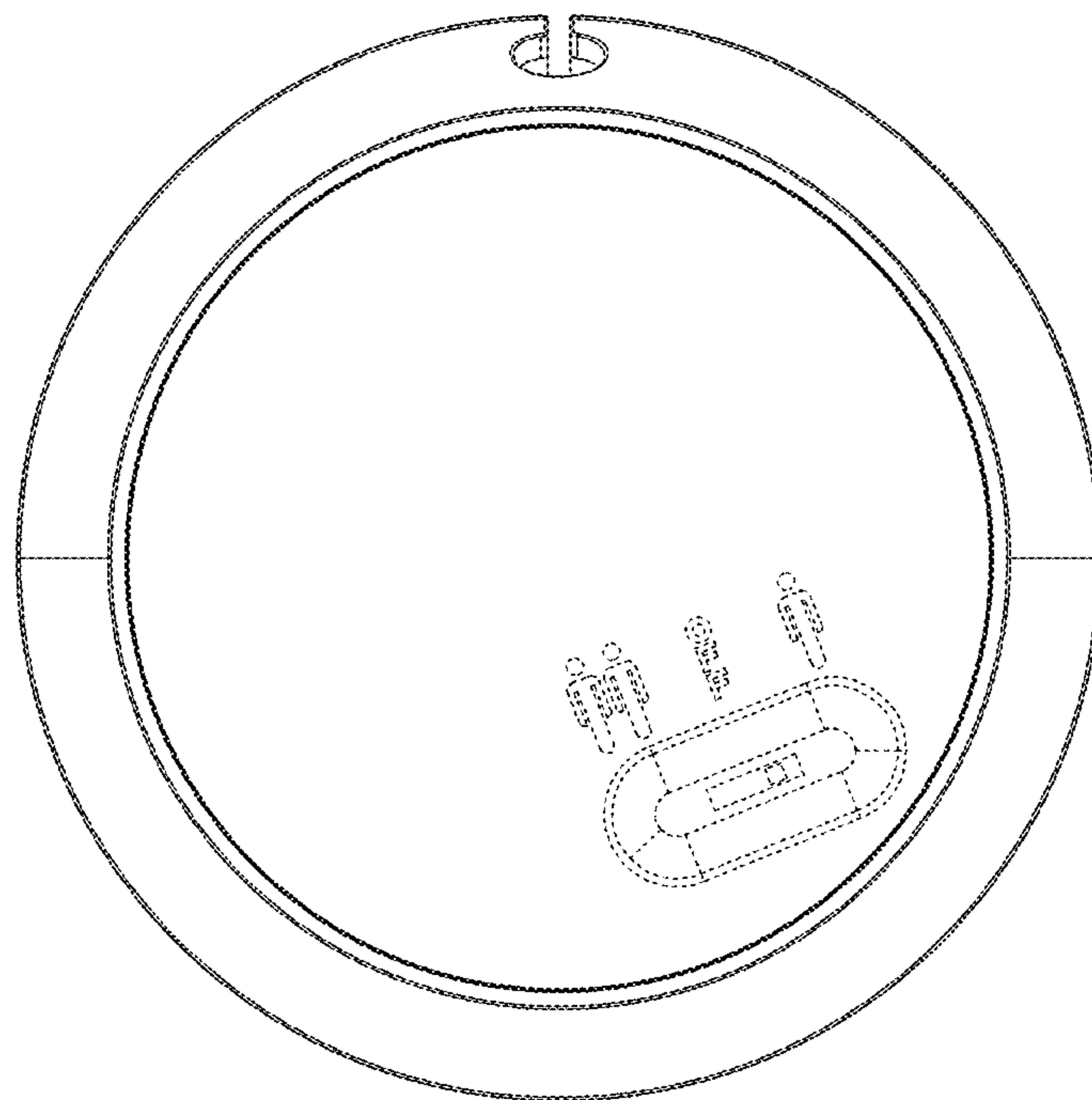


FIG. 4

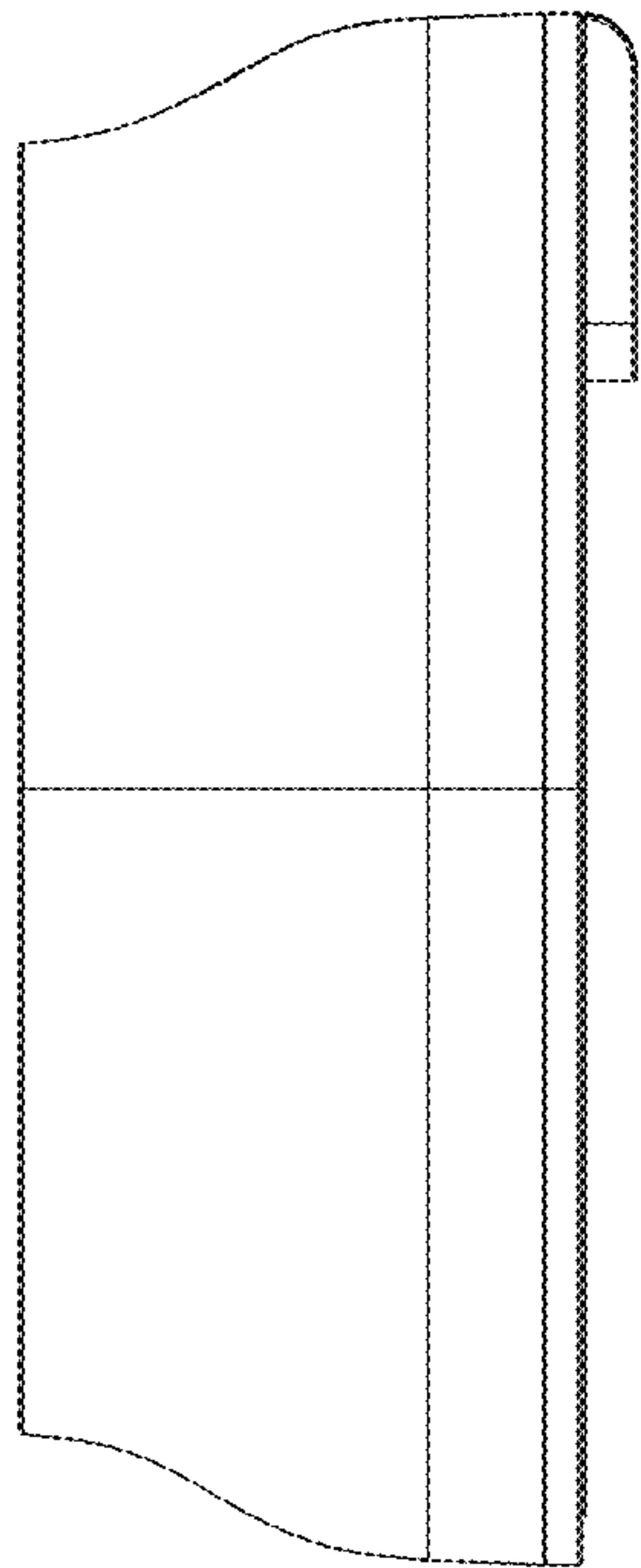


FIG. 5

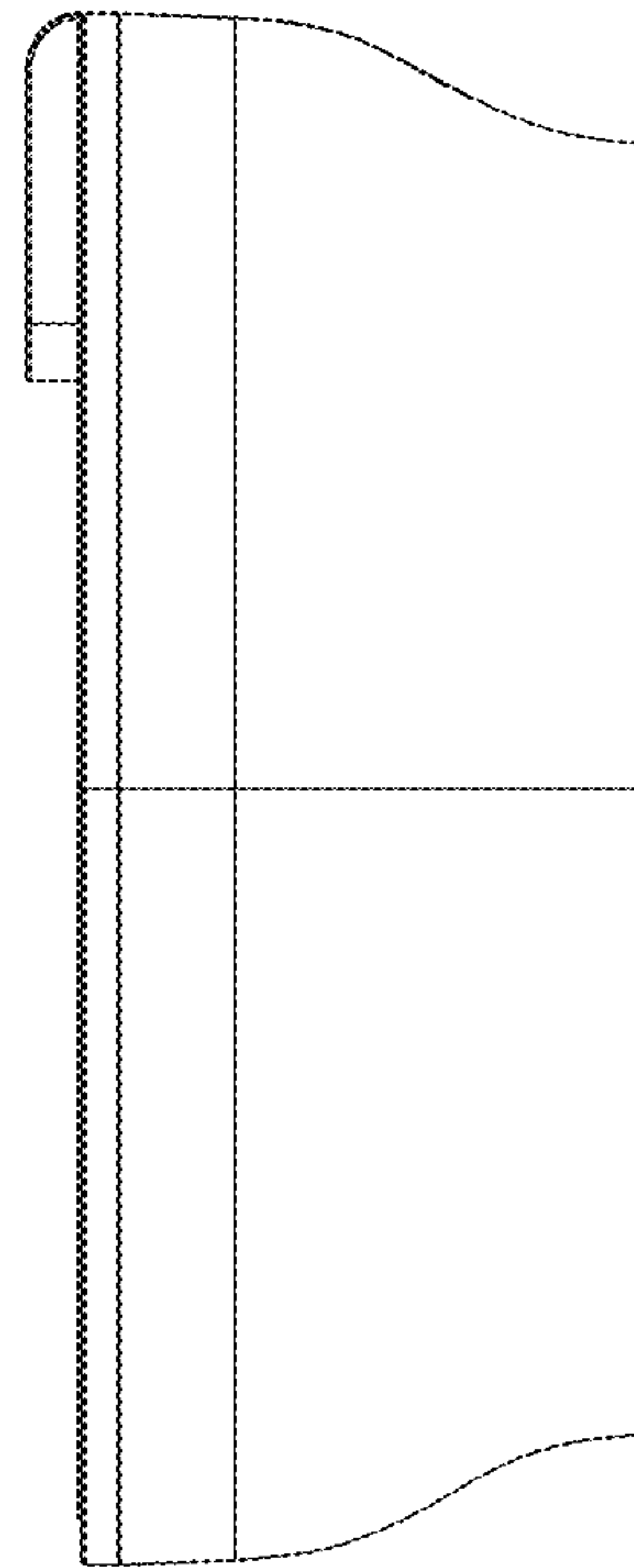


FIG. 6

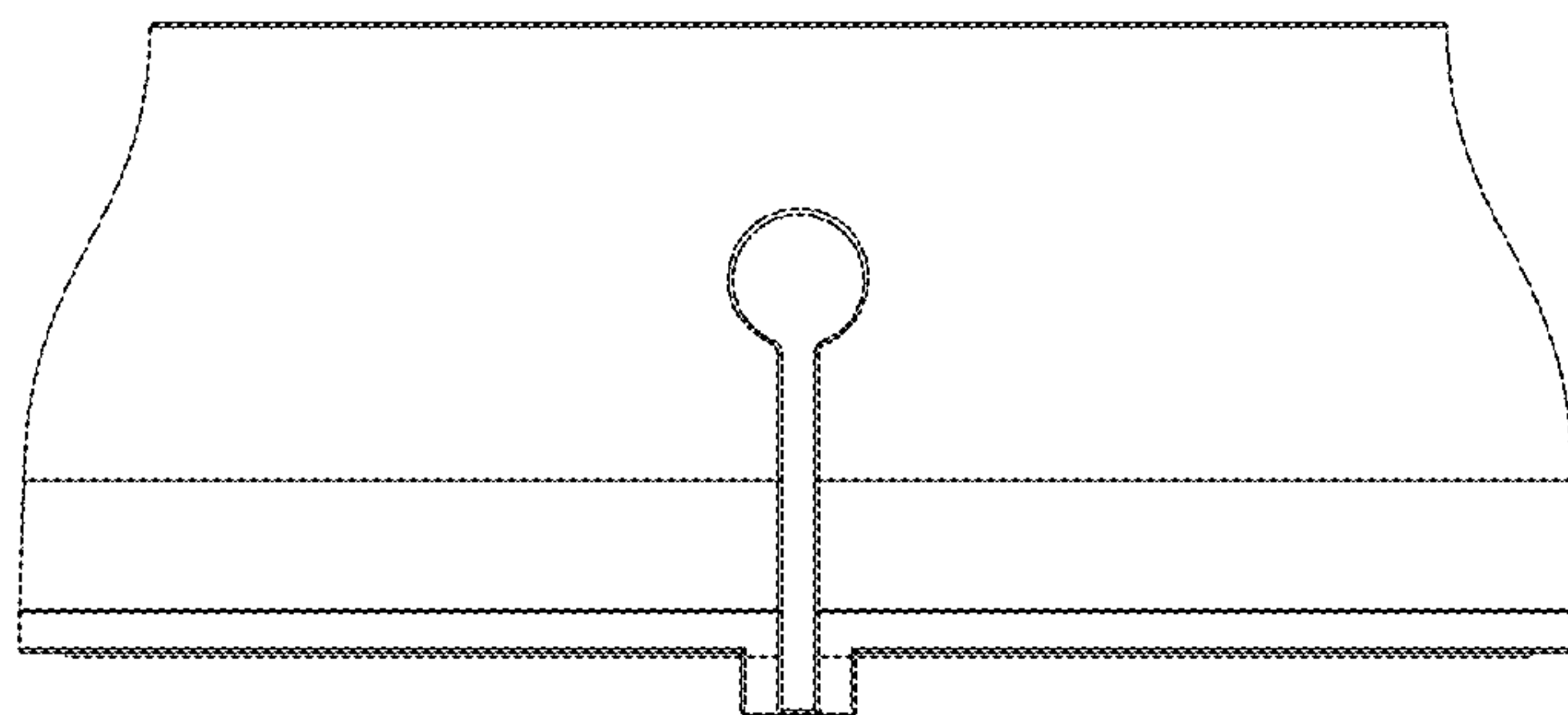


FIG. 7

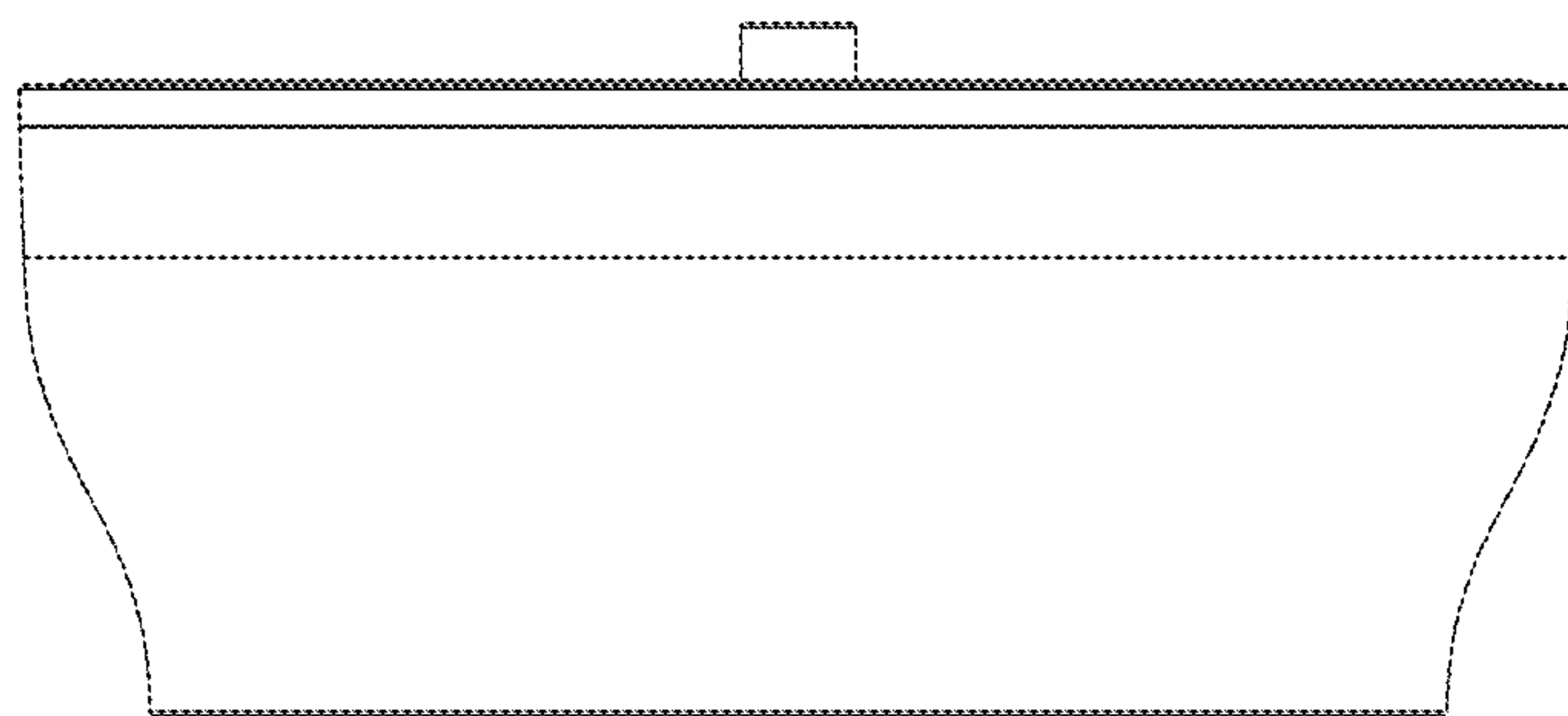


FIG. 8