



US00D805689S

(12) **United States Design Patent**  
**Gaon et al.**

(10) **Patent No.:** **US D805,689 S**

(45) **Date of Patent:** **\*\* Dec. 19, 2017**

(54) **COMB CLEANING ADAPTOR**

(71) Applicants: **Ruth Gaon**, Ein Vered (IL); **Maya Arieli-Vilkomirski**, Ein Vered (IL)

(72) Inventors: **Ruth Gaon**, Ein Vered (IL); **Maya Arieli-Vilkomirski**, Ein Vered (IL)

(\*\*) Term: **15 Years**

(21) Appl. No.: **29/575,127**

(22) Filed: **Aug. 22, 2016**

(51) **LOC (10) Cl.** ..... **28-03**

(52) **U.S. Cl.**  
USPC ..... **D28/25**

(58) **Field of Classification Search**  
USPC ..... D28/25, 10, 21-24; 15/38, 39, 21.1, 15/22.1, 104.5, 105, 104.51-104.54; 132/119, 219, 212, 108-111, 125; D32/1  
CPC ..... A45D 24/42; A45D 24/40  
See application file for complete search history.

(56) **References Cited**

**U.S. PATENT DOCUMENTS**

2,084,603	A *	6/1937	True	.....	A45D 24/40 132/150
3,077,199	A *	2/1963	Evans	.....	A45D 24/42 132/119
3,762,425	A *	10/1973	Loeffler	.....	A45D 24/30 132/110
D469,575	S *	1/2003	Grace	.....	D28/25
D495,089	S *	8/2004	Tomaro	.....	D28/21
D530,283	S *	10/2006	Kuo	.....	D13/147

D747,835	S *	1/2016	Barnard	.....	D32/1
2008/0132880	A1 *	6/2008	Buchman	.....	A61M 25/00 604/533
2012/0167908	A1 *	7/2012	Krishevski	.....	A45D 24/30 132/119
2015/0313354	A1 *	11/2015	Mongan	.....	A46B 17/06 15/22.1

\* cited by examiner

*Primary Examiner* — Susan Bennett Hattan

*Assistant Examiner* — Rebecca Tsehaye

(74) *Attorney, Agent, or Firm* — Guy Levi; The IP Law Firm of Guy Levi, LLC

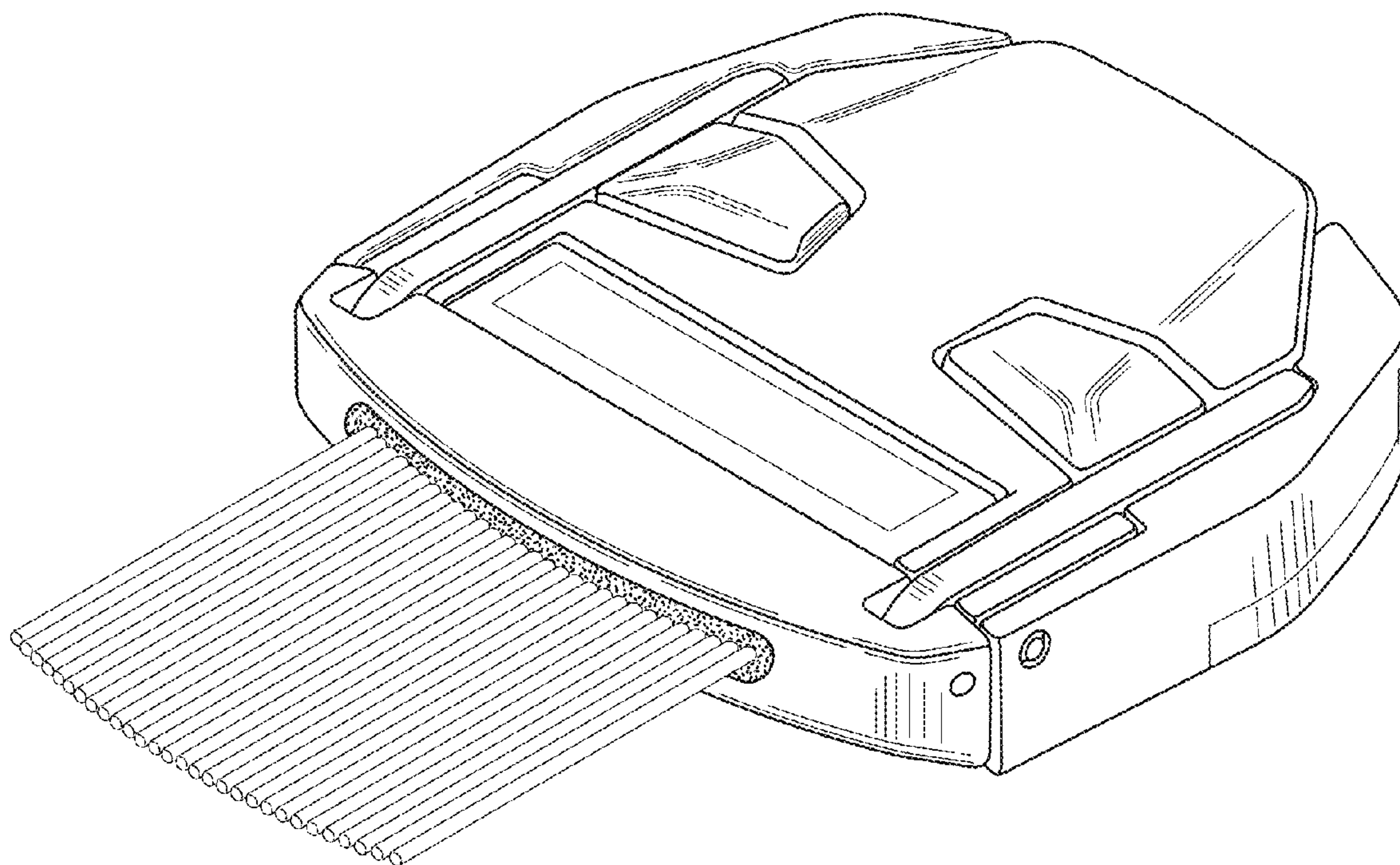
(57) **CLAIM**

We claim, the ornamental design for a comb-cleaning adaptor, as shown and described.

**DESCRIPTION**

FIG. 1 is a top right front perspective of a comb-cleaning adaptor showing our new design;  
FIG. 2 is a bottom left rear perspective thereof;  
FIG. 3 is a bottom plan view thereof;  
FIG. 4 is a top plan view thereof;  
FIG. 5 is a front elevation view thereof;  
FIG. 6 is a rear elevation view thereof; and,  
FIG. 7 shows a right side elevation view thereof, the left side being a mirror image thereof.  
Stippling as illustrated in FIGS. 1, 5 and 7, indicate contrast in materials and/or texture and is not intended to represent any specific color.

**1 Claim, 4 Drawing Sheets**



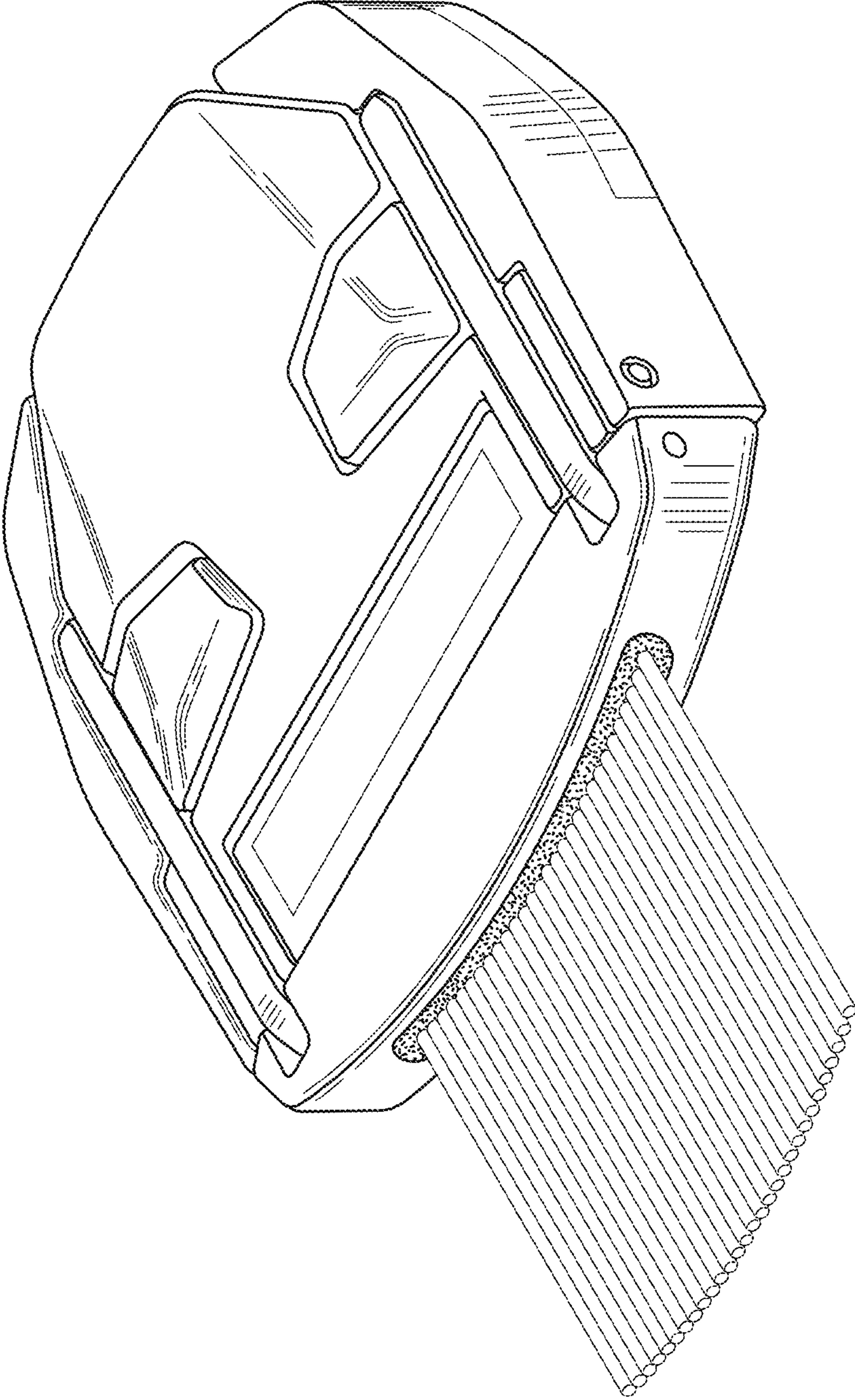


FIG. 1



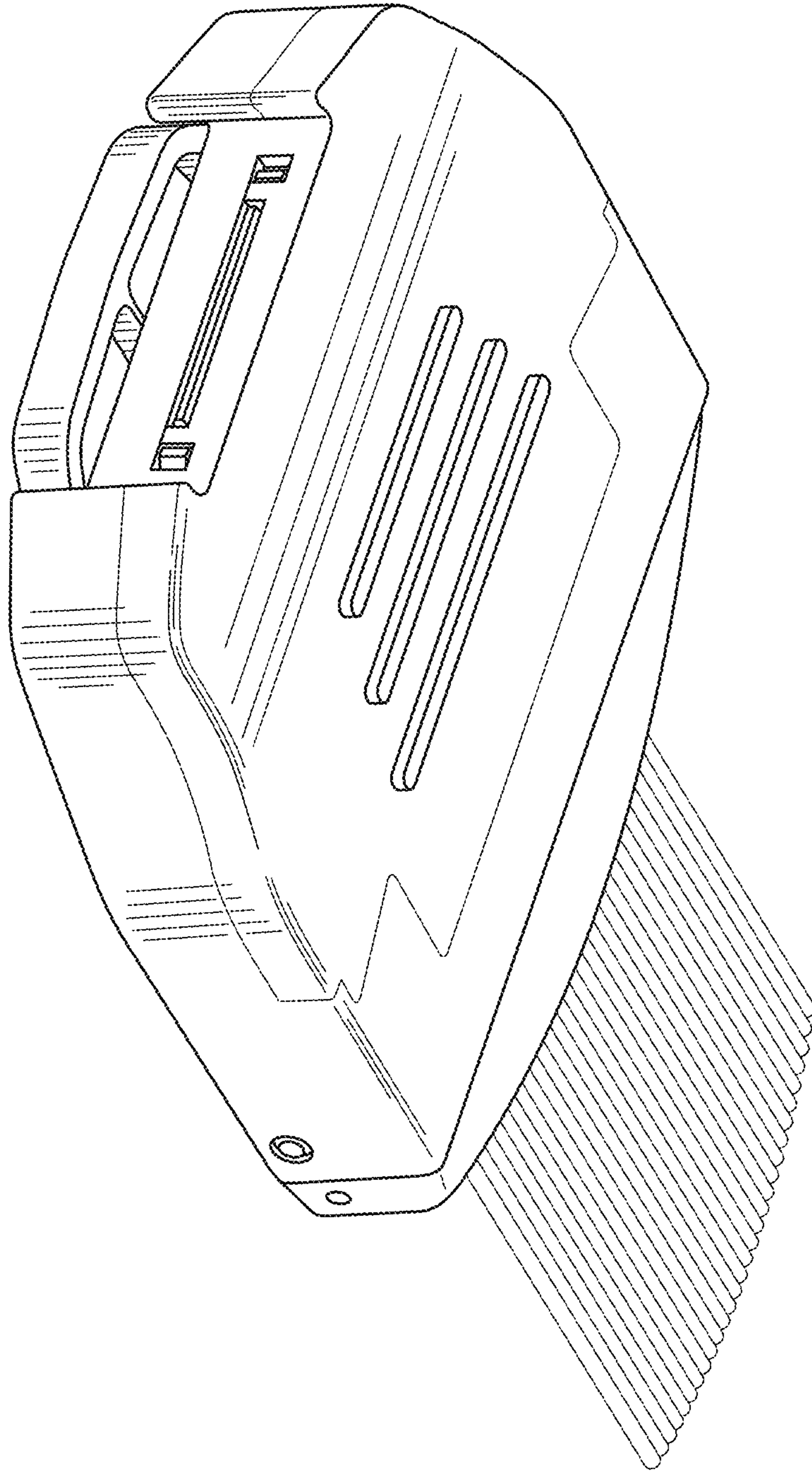


FIG. 2

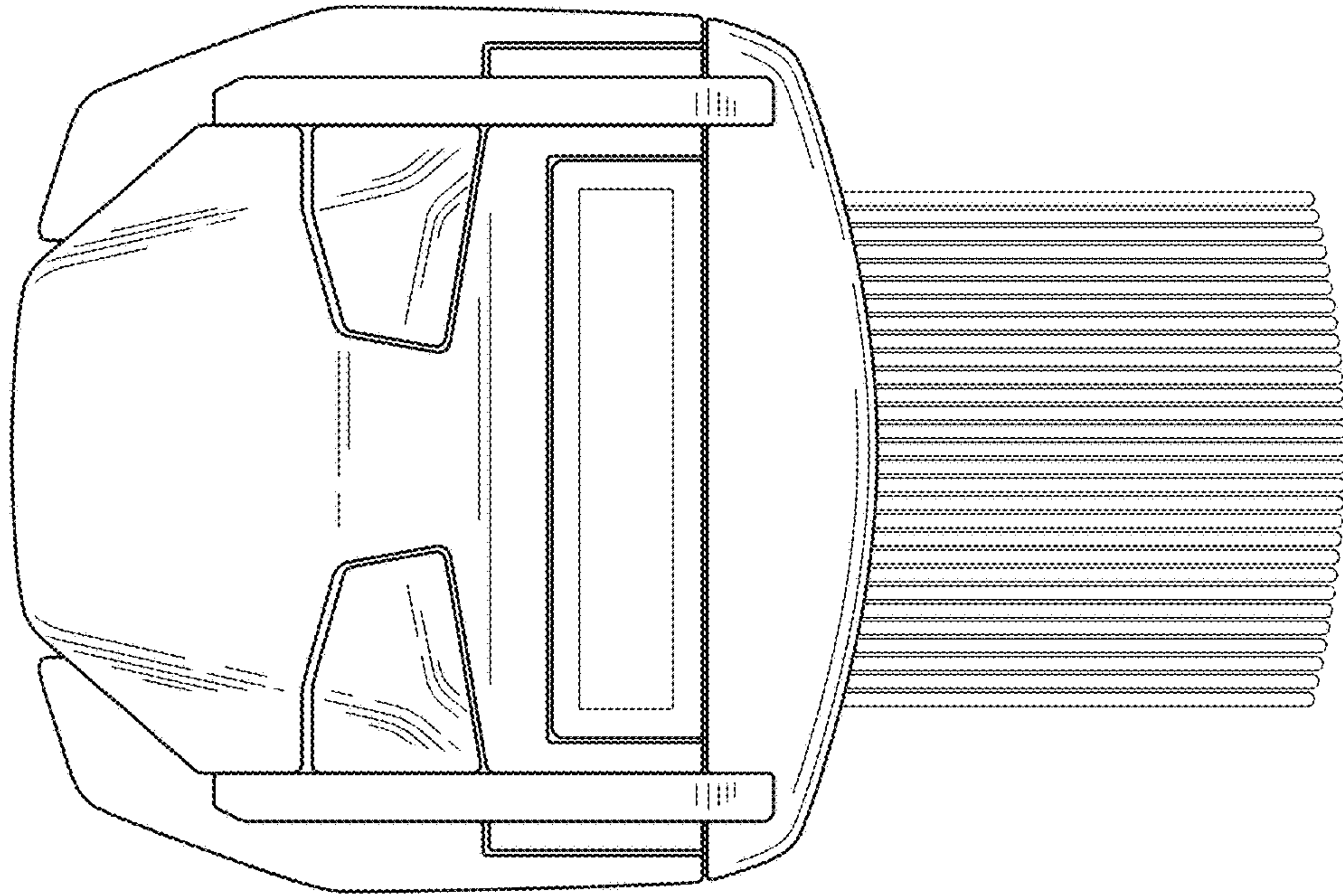


FIG. 4

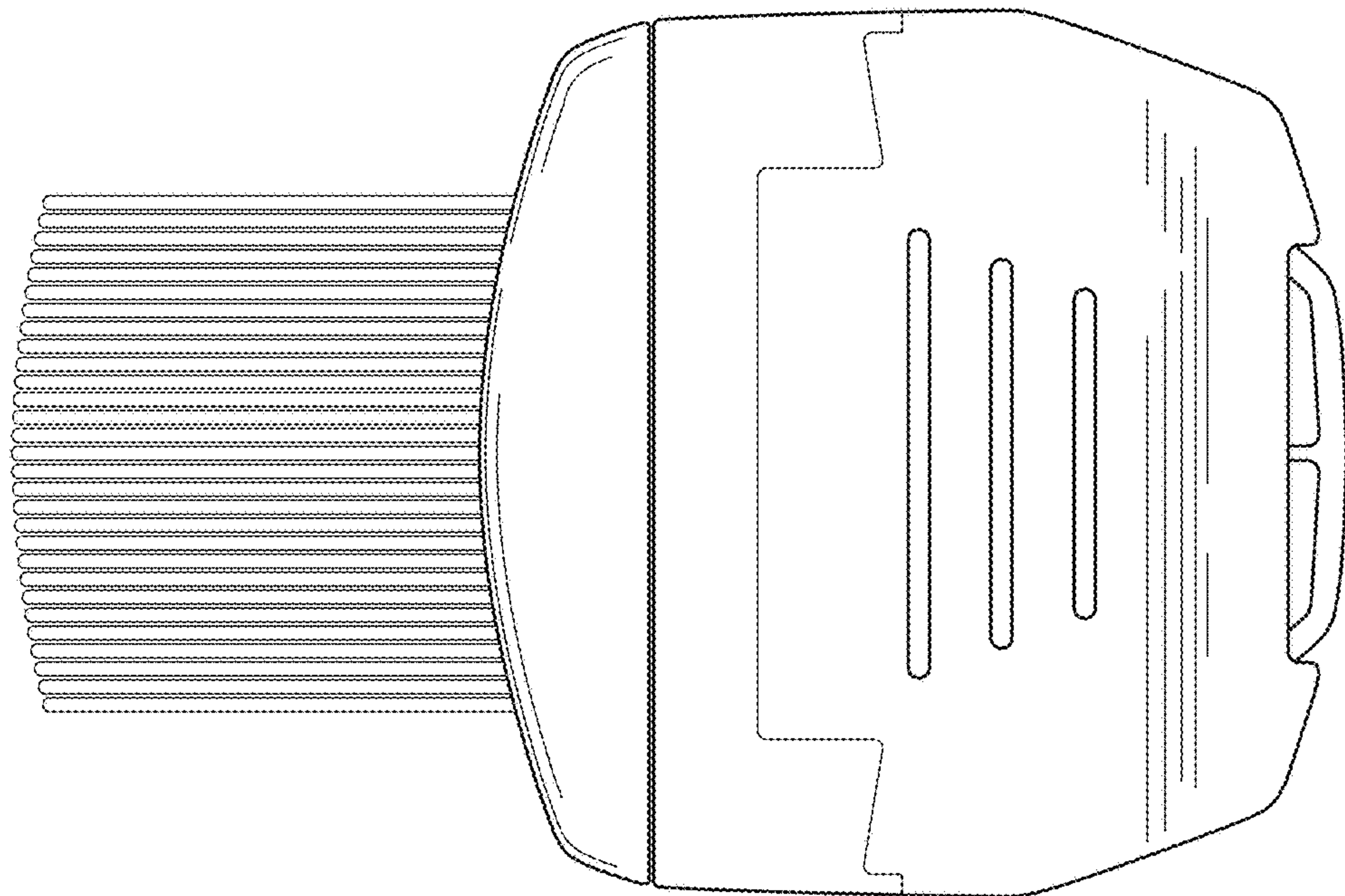


FIG. 3

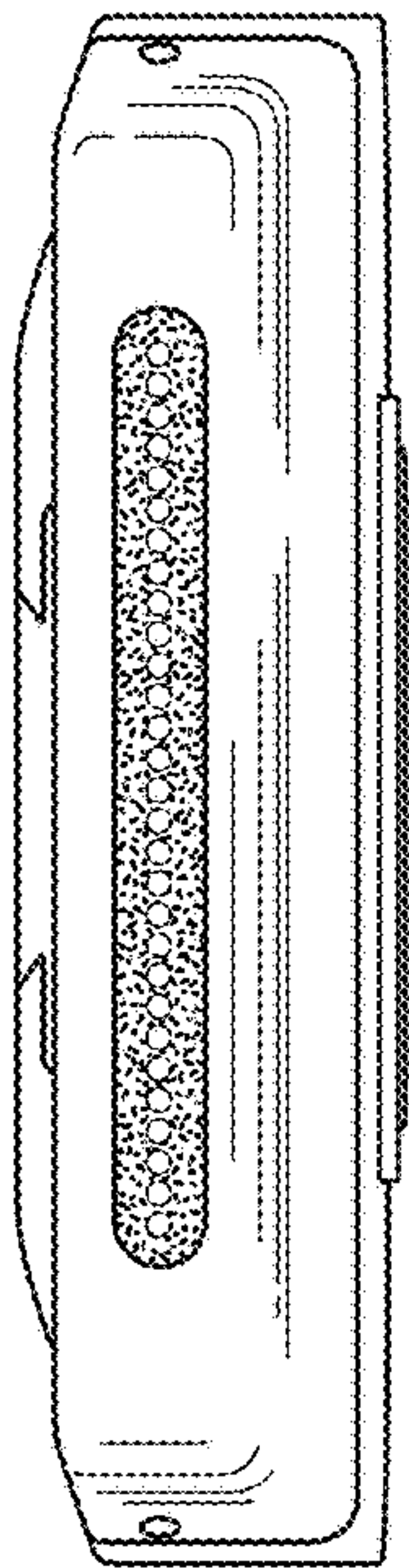


FIG. 5

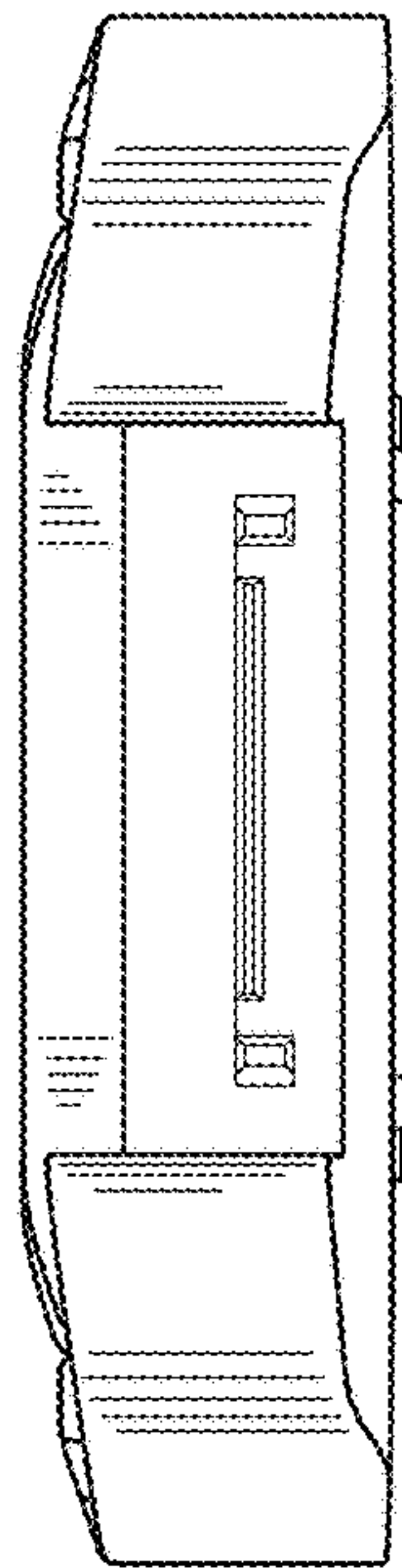


FIG. 6

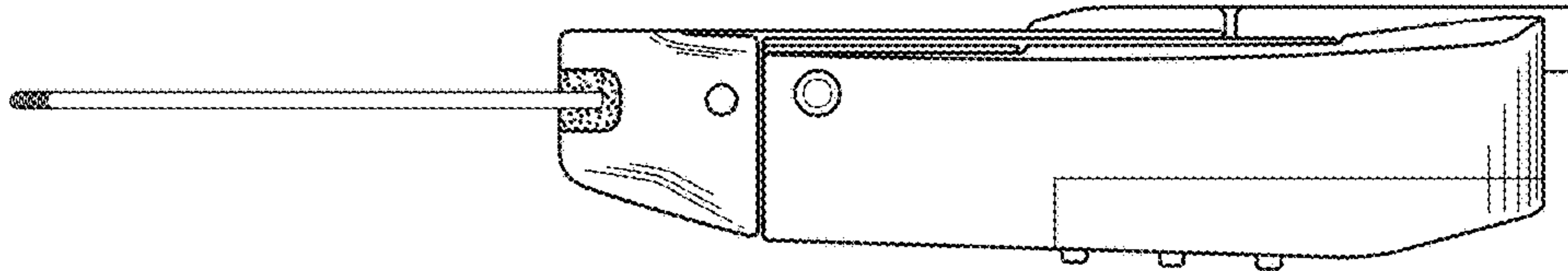


FIG. 7