



US00D805687S

(12) **United States Design Patent** (10) **Patent No.:** **US D805,687 S**  
**Perez et al.** (45) **Date of Patent:** **\*\* Dec. 19, 2017**

(54) **VAPING DEVICE TANK**  
(71) Applicant: **Digirettes, Inc.**, Sherman Oaks, CA (US)  
(72) Inventors: **Ruben Hector Perez**, Sherman Oaks, CA (US); **Alexander Basile**, Sherman Oaks, CA (US); **Spencer Mackay**, Sherman Oaks, CA (US); **Robert Fletcher**, Sherman Oaks, CA (US)  
(73) Assignee: **Digirettes, Inc.**, Sherman Oaks, CA (US)

3,707,975 A 1/1973 Davis  
3,760,814 A 9/1973 Fether et al.  
3,769,990 A 11/1973 Williams  
3,861,400 A 1/1975 Perkins et al.  
3,888,160 A 6/1975 Westcott et al.  
(Continued)

**FOREIGN PATENT DOCUMENTS**

EP 3009019 4/1916  
EP 0101227 2/1984  
(Continued)

**OTHER PUBLICATIONS**

Cue Vapor by Digirette. found online [Mar. 2, 2017] <https://www.cuevapor.com/cue-vapor-system/>.  
(Continued)

(\*\*) Term: **15 Years**  
(21) Appl. No.: **29/585,888**  
(22) Filed: **Nov. 29, 2016**

**Related U.S. Application Data**

(63) Continuation of application No. PCT/US2015/053836, filed on Oct. 2, 2015.  
(51) **LOC (10) Cl.** ..... **27-99**  
(52) **U.S. Cl.**  
USPC ..... **D27/194**  
(58) **Field of Classification Search**  
USPC ..... D27/100, 101, 162, 163-194; D9/423  
CPC ..... A24F 47/00; A24F 47/002; A24B 15/243; A24B 15/16; A24B 15/167; A61M 11/042; A61M 15/06  
See application file for complete search history.

*Primary Examiner* — Robert M Spear  
*Assistant Examiner* — Marissa J Cash  
(74) *Attorney, Agent, or Firm* — Knobbe, Martens, Olson & Bear LLP

(57) **CLAIM**

We claim the ornamental design for a vaping device tank, as shown and described.

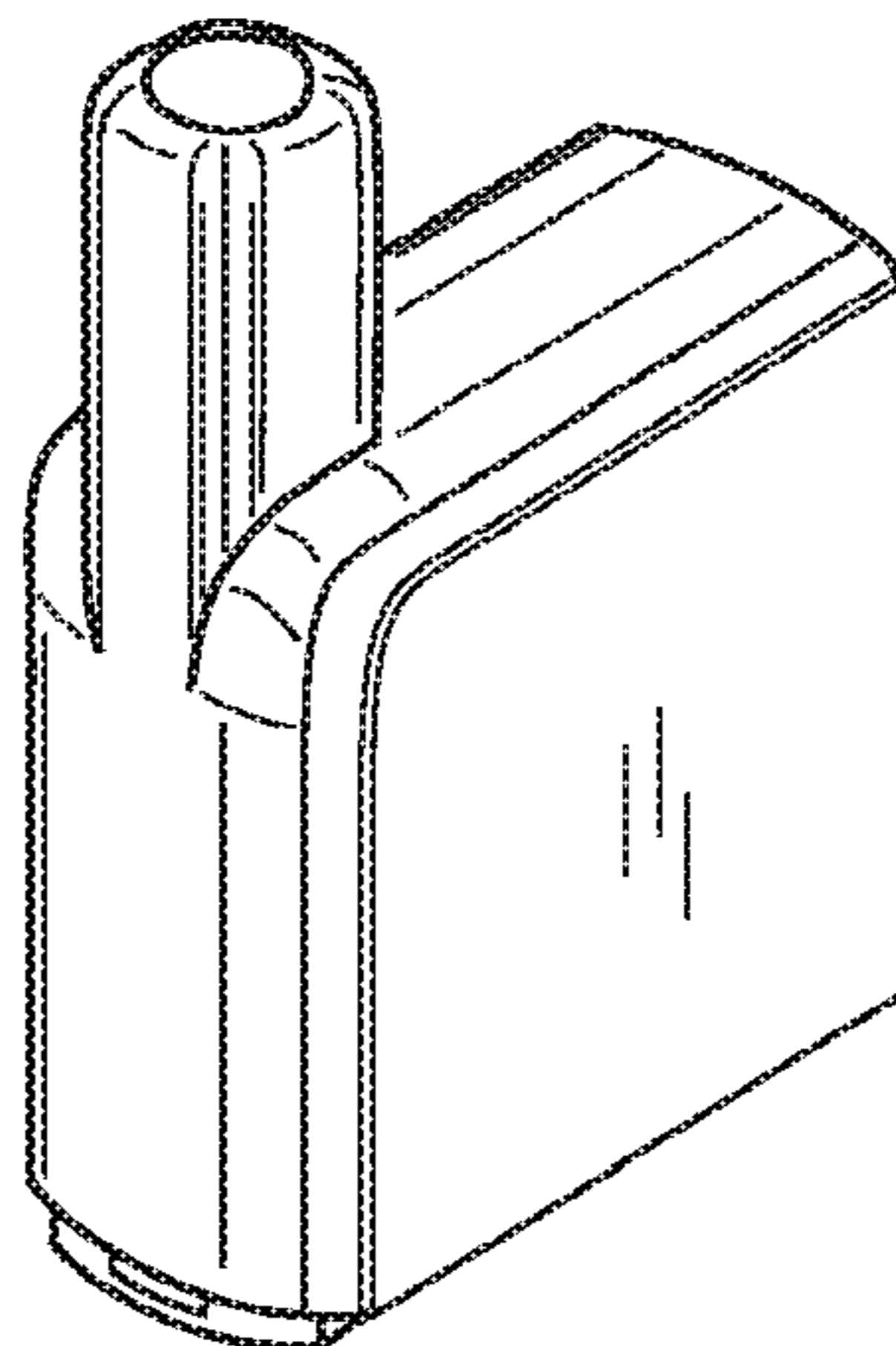
**DESCRIPTION**

FIG. 1 is a perspective view of a front side of the vaping device tank;  
FIG. 2 is a view of a right side of the vaping device tank;  
FIG. 3 is a perspective view of a back side of the vaping device tank;  
FIG. 4 is a view of a left side of the vaping device tank;  
FIG. 5 is a top view of the vaping device tank;  
FIG. 6 is a bottom view of the vaping device tank; and,  
FIG. 7 is a side view of the vaping device tank.  
The broken lines illustrate portions of the vaping device tank which form no part of the claimed design.

**1 Claim, 2 Drawing Sheets**

(56) **References Cited**  
U.S. PATENT DOCUMENTS

3,585,774 A 6/1971 Rowell et al.  
3,589,371 A 6/1971 LaPorte  
3,590,825 A 7/1971 Davis  
3,608,716 A 9/1971 Rowell et al.  
3,625,227 A 12/1971 Fether et al.  
3,703,902 A 11/1972 Sargrove



# US D805,687 S

(56)

## References Cited

### U.S. PATENT DOCUMENTS

					8,881,738 B2 *	11/2014	Bryman .....	A24F 3/00
								131/184.2
					8,893,726 B2	11/2014	Hon	
					8,899,239 B2	12/2014	Hon	
					8,910,641 B2	12/2014	Hon	
					D728,855 S *	5/2015	Liu .....	D27/163
					D729,444 S *	5/2015	Leidel .....	D27/163
					D730,572 S *	5/2015	Leidel .....	D27/163
					D738,569 S	9/2015	Saide	
					D741,001 S	10/2015	Alarcon et al.	
					D742,062 S *	10/2015	Almsberger .....	D27/143
					D745,213 S *	12/2015	Alima .....	D27/143
					D748,325 S *	1/2016	Leidel .....	D27/163
					D748,329 S	1/2016	Bagai et al.	
					D751,756 S *	3/2016	Hearn .....	D27/189
					D753,336 S *	4/2016	Chen .....	D27/101
					D754,919 S	4/2016	Alarcon et al.	
					9,320,300 B2	4/2016	Hon	
					D755,057 S	5/2016	Mutter	
					9,326,546 B2	5/2016	Garcia Urbano et al.	
					9,326,548 B2	5/2016	Hon	
					9,326,549 B2	5/2016	Hon	
					9,326,550 B2	5/2016	Hon	
					9,326,551 B2	5/2016	Hon	
					9,339,062 B2	5/2016	Hon	
					D758,656 S *	6/2016	Freshwater .....	D27/163
					D761,999 S *	7/2016	Liu .....	D27/101
					D764,703 S	8/2016	Liu	
					D767,820 S	9/2016	Jordan et al.	
					D767,822 S	9/2016	Jordan et al.	
					D768,331 S *	10/2016	Chen .....	D27/101
					D769,520 S *	10/2016	Hua .....	D27/167
					D771,309 S *	11/2016	Ward .....	D27/167
					D771,867 S *	11/2016	Leidel .....	D27/163
					D773,114 S *	11/2016	Leidel .....	D27/163
					D773,116 S *	11/2016	Liu .....	D27/167
					D775,414 S *	12/2016	Ampolini .....	D13/108
					D775,762 S *	1/2017	Chen .....	D27/101
					D776,051 S *	1/2017	Wang .....	D13/103
					D780,373 S *	2/2017	Bennett .....	D27/186
					2006/0196518 A1	9/2006	Hon	
					2007/0267031 A1	11/2007	Hon	
					2008/0308113 A1	12/2008	Nencioni	
					2008/0314398 A1	12/2008	Fish	
					2009/0126745 A1	5/2009	Hon	
					2011/0168194 A1	7/2011	Hon	
					2011/0226236 A1	9/2011	Buchberger	
					2012/0090630 A1	4/2012	Hon	
					2012/0111347 A1	5/2012	Hon	
					2012/0211015 A1	8/2012	Li et al.	
					2012/0234315 A1	9/2012	Li et al.	
					2012/0261285 A1	10/2012	Holloway et al.	
					2012/0261286 A1	10/2012	Holloway et al.	
					2012/0266902 A1	10/2012	Drezen et al.	
					2012/0273589 A1	11/2012	Hon	
					2012/0279512 A1	11/2012	Hon	
					2012/0285476 A1	11/2012	Hon	
					2013/0125906 A1	5/2013	Hon	
					2013/0139833 A1	6/2013	Hon	
					2013/0167854 A1	7/2013	Shin	
					2013/0206152 A1	8/2013	Garcia Urbano et al.	
					2013/0213420 A1	8/2013	Hon	
					2013/0228191 A1	9/2013	Newton	
					2013/0276798 A1	10/2013	Hon	
					2013/0276804 A1	10/2013	Hon	
					2013/0284623 A1	10/2013	Groulx et al.	
					2014/0014125 A1 *	1/2014	Fernando .....	A24F 47/008
								131/328
					2014/0107815 A1	4/2014	Lamothe	
					2014/0150810 A1	6/2014	Hon	
					2014/0182608 A1	7/2014	Egoyants et al.	
					2014/0209110 A1	7/2014	Hon	
					2014/0261486 A1	9/2014	Potter	
					2014/0261499 A1	9/2014	Hon	
					2014/0283824 A1 *	9/2014	Wheelock .....	A61M 11/041
								128/202.21
					2014/0305453 A1	10/2014	Hon	
					2014/0318560 A1	10/2014	Hon	
					2014/0036331 A1	12/2014	Jiang et al.	

8,689,805 B2 4/2014 Hon

8,863,752 B2 10/2014 Hon

(56)

References Cited

U.S. PATENT DOCUMENTS

2014/0363314 A1 12/2014 Jiang et al.  
 2015/0034103 A1 2/2015 Hon  
 2015/0040926 A1 2/2015 Saydar  
 2015/0040927 A1 2/2015 Li  
 2015/0040929 A1 2/2015 Hon  
 2015/0128974 A1 5/2015 Hon  
 2015/0136124 A1\* 5/2015 Aronie ..... A24F 47/008  
 128/202.21  
 2015/0136155 A1 5/2015 Verleur  
 2015/0181944 A1 7/2015 Li  
 2015/0208729 A1 7/2015 Monsees  
 2015/0216230 A1 8/2015 Loos et al.  
 2015/0250229 A1 9/2015 Hon  
 2015/0250230 A1 9/2015 Hon  
 2015/0250231 A1 9/2015 Hon  
 2015/0250232 A1 9/2015 Hon  
 2015/0272224 A1 10/2015 Hon  
 2016/0057811 A1 2/2016 Alarcon et al.  
 2016/0073692 A1 3/2016 Alarcon et al.  
 2016/0120218 A1\* 5/2016 Schennum ..... A24F 15/12  
 206/266  
 2016/0120222 A1 5/2016 Bagai et al.  
 2016/0135506 A1 5/2016 Sanchez et al.  
 2016/0165955 A1\* 6/2016 Horne ..... A45F 5/02  
 131/328  
 2016/0213866 A1\* 7/2016 Tan ..... A61M 11/005  
 2016/0271347 A1\* 9/2016 Raichman ..... A61M 15/06  
 2016/0353800 A1\* 12/2016 Di Carlo ..... A24F 47/008  
 2016/0366946 A1\* 12/2016 Murison ..... A24F 15/12  
 2017/0006918 A1\* 1/2017 Chen ..... H05B 1/00  
 2017/0064999 A1 3/2017 Perez et al.

FOREIGN PATENT DOCUMENTS

EP 0102247 3/1984  
 EP 0165704 12/1985  
 EP 0188916 7/1986  
 EP 0227424 7/1987  
 EP 0227425 7/1987  
 EP 0229709 7/1987  
 EP 0229710 7/1987  
 EP 0234115 9/1987  
 EP 0239184 9/1987  
 EP 0239245 9/1987  
 EP 0242202 10/1987  
 EP 0264195 4/1988  
 EP 0286256 10/1988  
 EP 0295122 12/1988  
 EP 0309220 3/1989  
 EP 0369697 5/1990  
 EP 0380324 8/1990  
 EP 0407022 1/1991  
 EP 0475580 3/1992  
 EP 0531075 3/1993  
 EP 0693441 1/1996  
 EP 0706331 4/1996  
 EP 0724391 8/1996  
 EP 0782534 7/1997  
 EP 0848914 6/1998  
 EP 0853893 7/1998  
 EP 0862865 9/1998  
 EP 0878999 11/1998  
 EP 0924997 6/1999  
 EP 0967897 1/2000  
 EP 0981485 3/2000  
 EP 1006818 6/2000  
 EP 1014810 7/2000  
 EP 1017593 7/2000  
 EP 1033327 9/2000  
 EP 1048230 11/2000  
 EP 1094724 5/2001  
 EP 1098574 5/2001  
 EP 1098825 5/2001  
 EP 1144253 10/2001

EP 1184300 3/2002  
 EP 1313653 5/2003  
 EP 2022349 2/2009  
 EP 2272386 1/2011  
 EP 2325093 5/2011  
 EP 2376334 10/2011  
 EP 2376335 10/2011  
 EP 2404515 1/2012  
 EP 2415363 2/2012  
 EP 2443946 4/2012  
 EP 2681130 1/2014  
 EP 2821356 1/2015  
 EP 2878215 6/2015  
 EP 2885986 6/2015  
 WO WO2016008150 1/1916  
 WO WO2016023651 2/1916  
 WO WO2016029225 2/1916  
 WO WO2016040575 3/1916  
 WO WO2016046116 3/1916  
 WO WO2016058992 4/1916  
 WO WO2016059000 4/1916  
 WO WO2016059003 4/1916  
 WO WO9501108 1/1995  
 WO WO9510952 4/1995  
 WO WO9609230 3/1996  
 WO WO9714322 4/1997  
 WO WO9728706 8/1997  
 WO WO9807338 2/1998  
 WO WO9826676 6/1998  
 WO WO9826677 6/1998  
 WO WO9850288 11/1998  
 WO WO9854060 12/1998  
 WO WO9965320 12/1999  
 WO WO0002464 1/2000  
 WO WO0005151 2/2000  
 WO WO0007467 2/2000  
 WO WO0040465 7/2000  
 WO WO0051912 9/2000  
 WO WO0065939 11/2000  
 WO WO0122839 4/2001  
 WO WO0154520 8/2001  
 WO WO0187738 11/2001  
 WO WO0193705 12/2001  
 WO WO0218236 3/2002  
 WO WO2006029723 3/2006  
 WO WO2008064463 6/2008  
 WO WO2008122589 10/2008  
 WO WO2011003525 1/2011  
 WO WO2011054650 5/2011  
 WO WO2011060930 5/2011  
 WO WO2011060931 5/2011  
 WO WO2011064351 6/2011  
 WO WO2012016641 2/2012  
 WO WO2012119607 9/2012  
 WO WO2012119611 9/2012  
 WO WO2012160369 11/2012  
 WO WO2013016846 2/2013  
 WO WO2013155645 10/2013  
 WO WO2013159245 10/2013  
 WO WO2014194972 12/2014  
 WO WO2014205456 12/2014  
 WO WO2015000798 1/2015  
 WO WO2015014704 2/2015  
 WO WO2015018479 2/2015  
 WO WO2015049046 4/2015  
 WO WO2015090490 6/2015  
 WO WO2015131991 9/2015  
 WO WO2015161459 10/2015  
 WO WO2015173105 11/2015  
 WO WO2015197165 12/2015  
 WO WO 2016/054580 4/2016

OTHER PUBLICATIONS

ISR received in PCT Application No. PCT/US2015/053836 dated Dec. 22, 2015.

\* cited by examiner

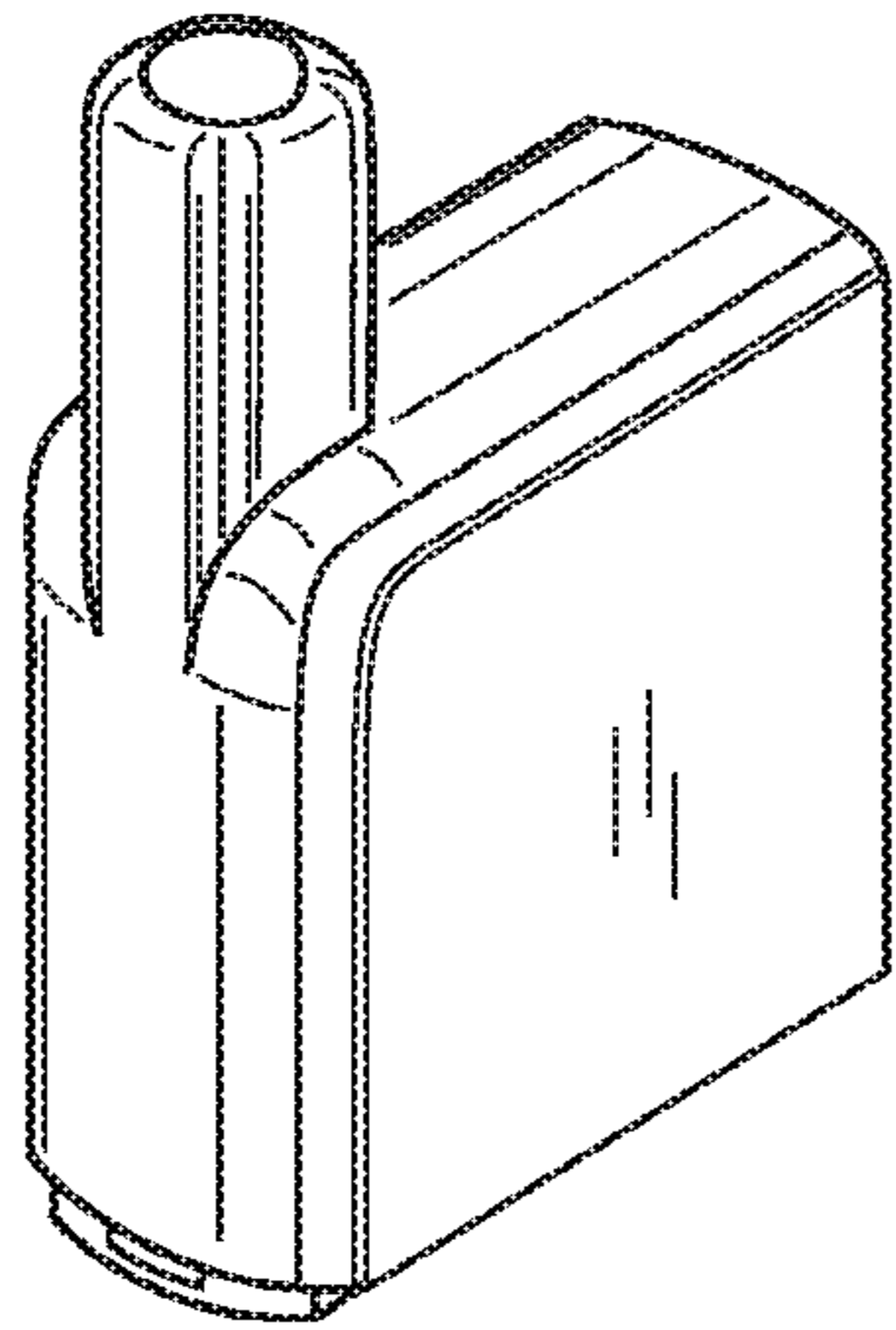


FIGURE 1

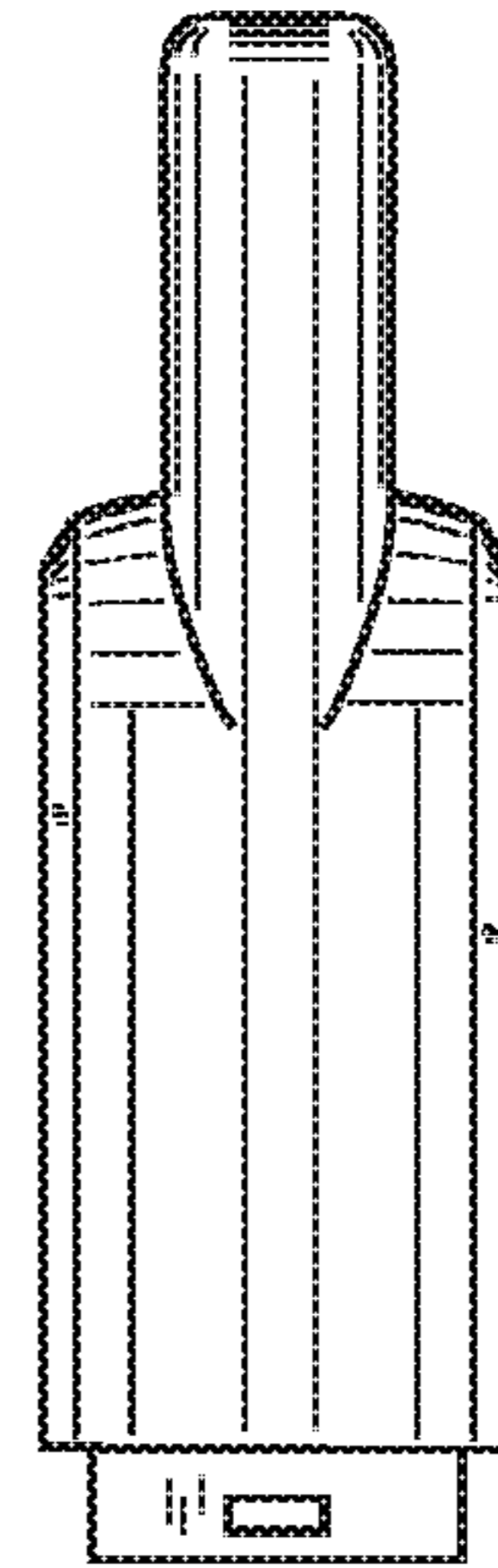


FIGURE 2

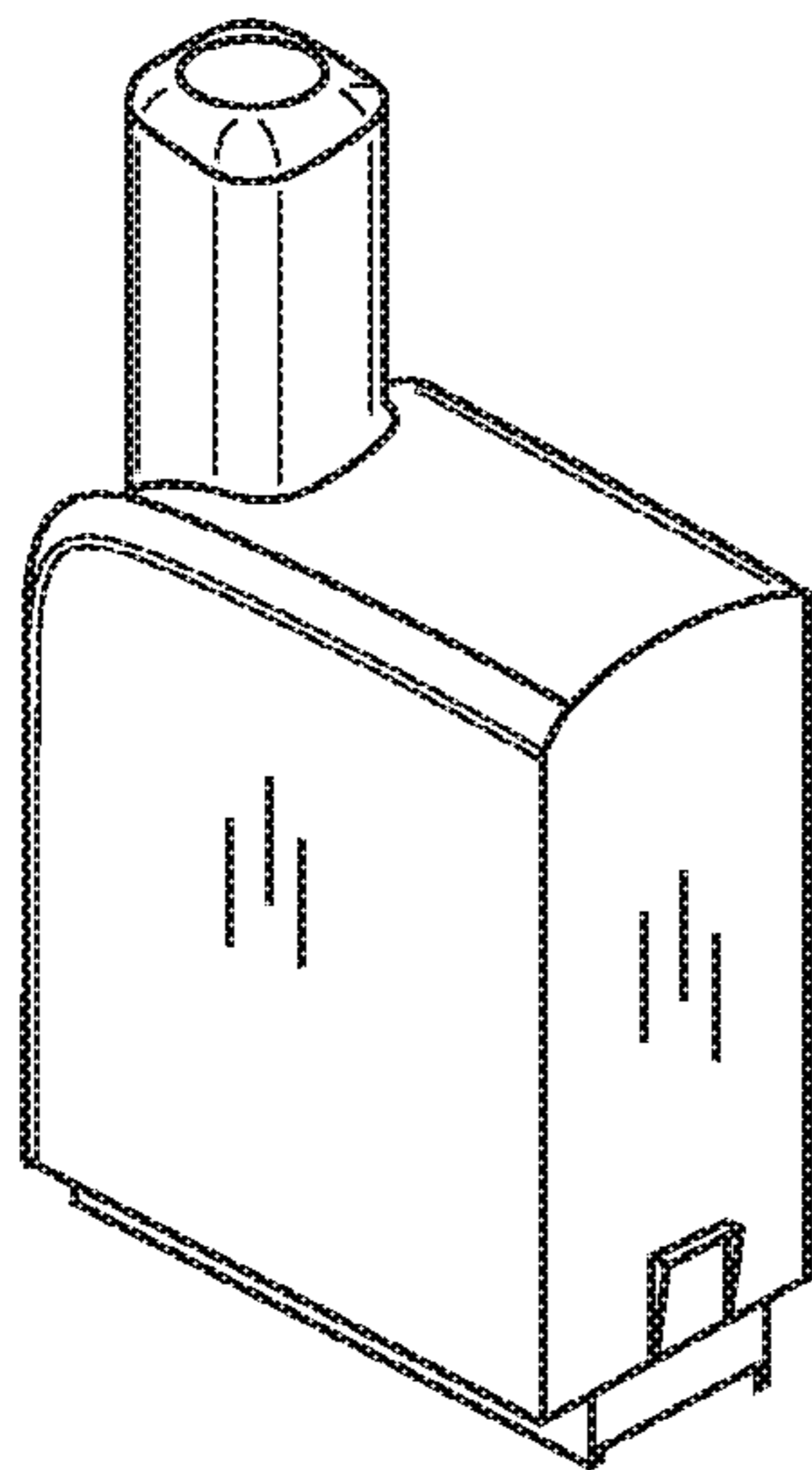


FIGURE 3

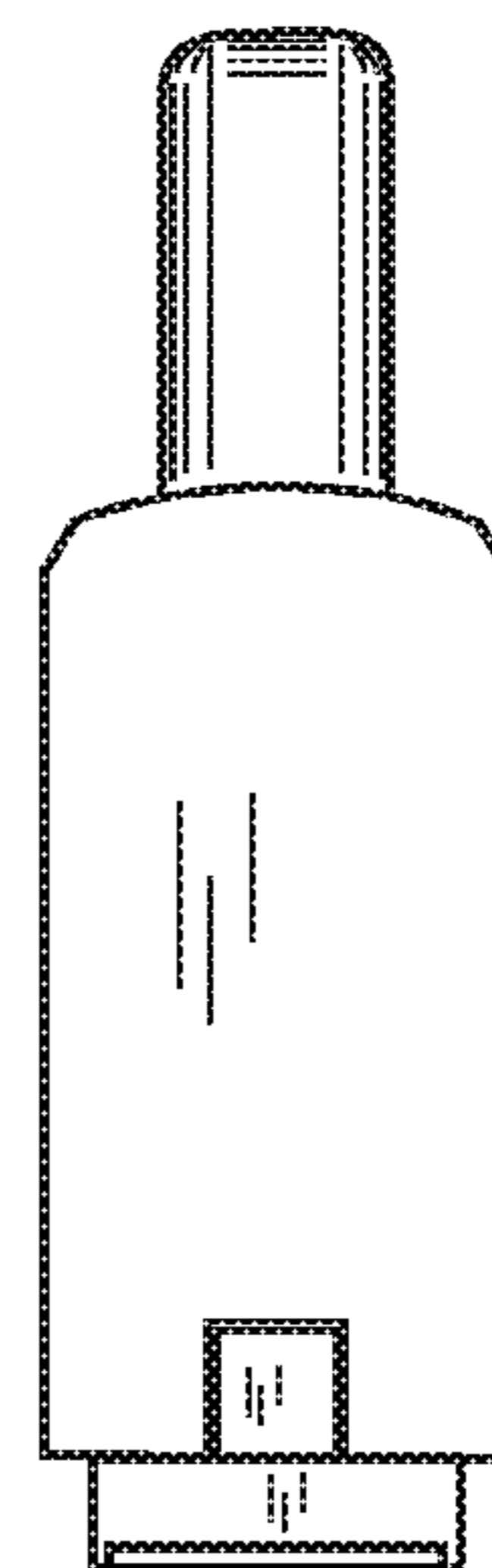


FIGURE 4

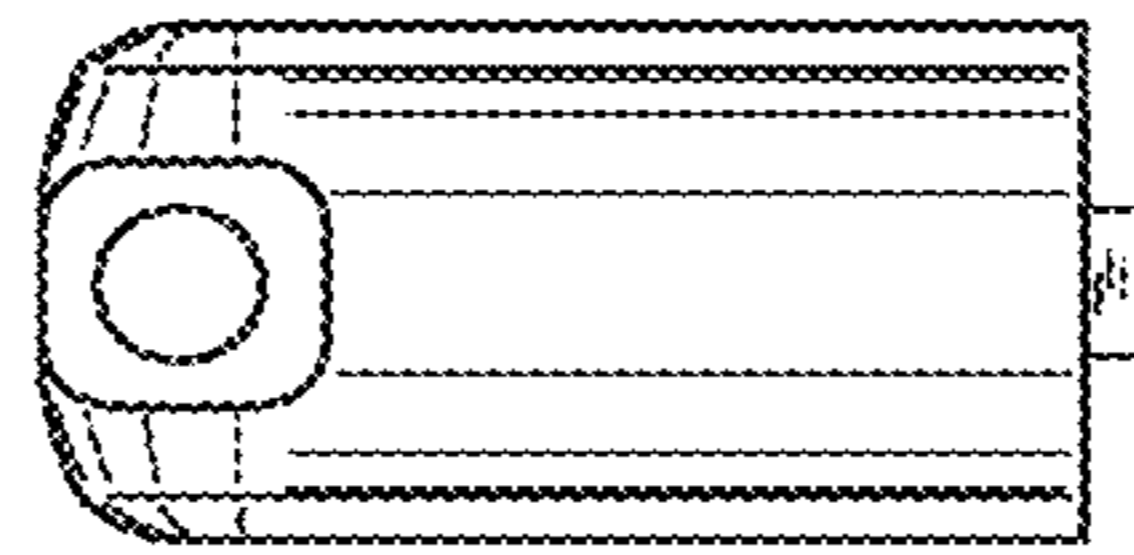


FIGURE 5

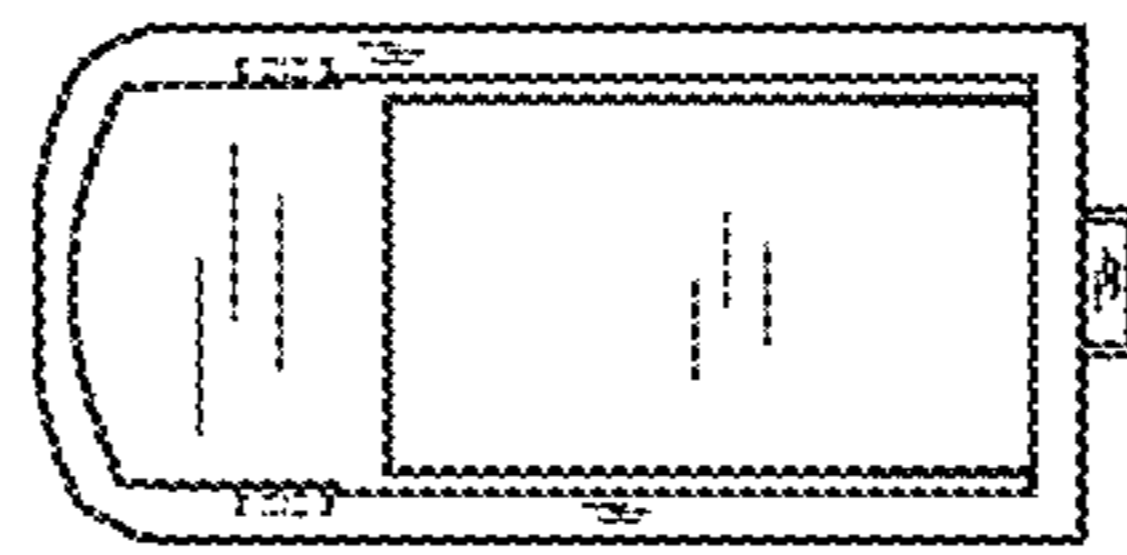


FIGURE 6

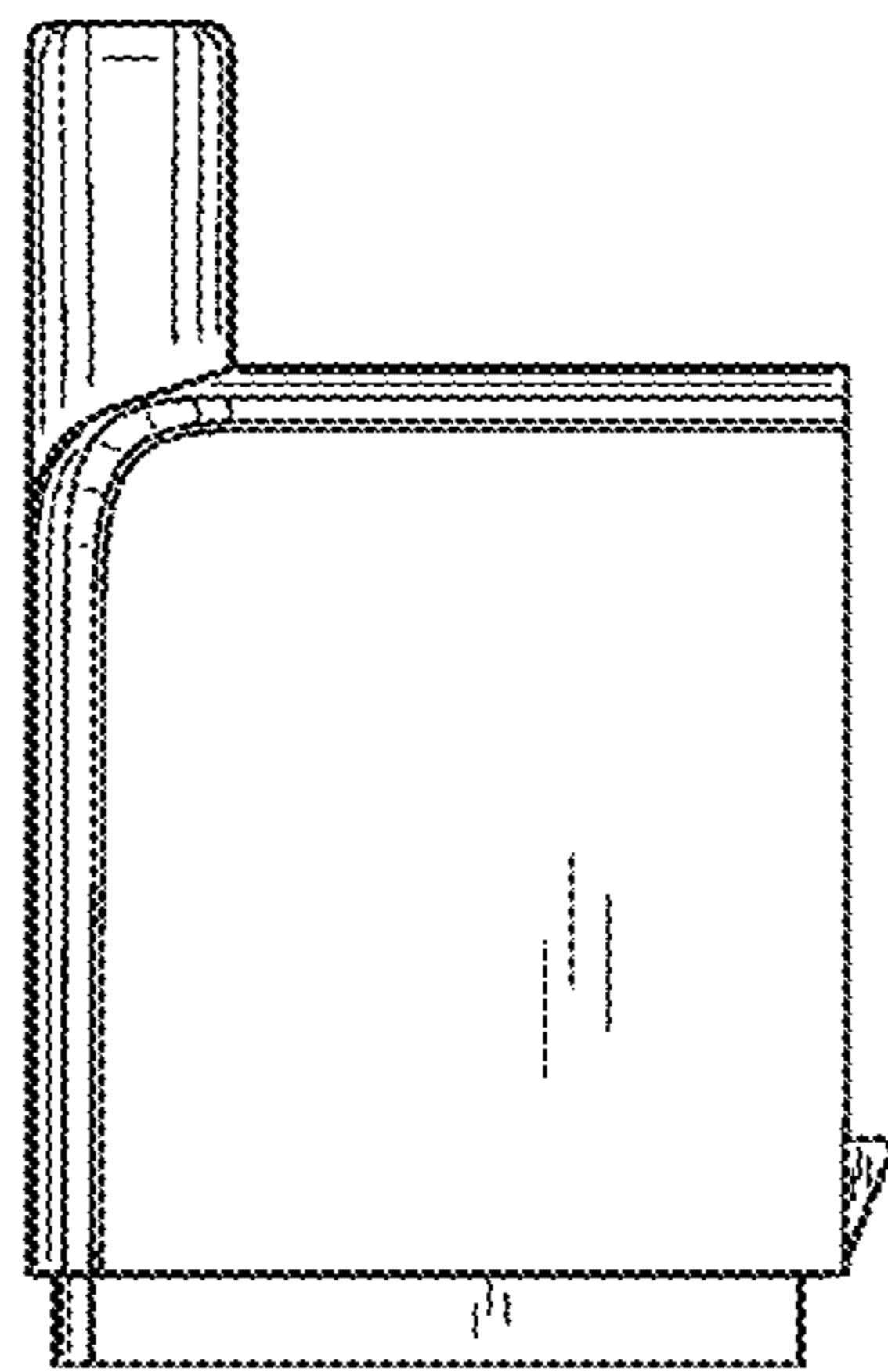


FIGURE 7