



US00D805684S

(12) **United States Design Patent** (10) **Patent No.:** **US D805,684 S**  
**Thuery** (45) **Date of Patent:** **\*\* Dec. 19, 2017**

(54) **ELECTRONIC CIGARETTE**

FOREIGN PATENT DOCUMENTS

(71) Applicant: **Nicoventures Holdings Limited**,  
London (GB)

CN 3013868895 11/2010  
CN 301797116 S 1/2012

(Continued)

(72) Inventor: **Boris Thuery**, London (GB)

OTHER PUBLICATIONS

(73) Assignee: **NICOVENTURES HOLDINGS LIMITED**, London (GB)

Vype E-cigarette. Vype Epen Starter Kit. ecigclick. dated Jan. 8, 2016. found online [Feb. 8, 2017] <http://www.ecigclick.co.uk/best-january-e-cig-offers/>.\*

(\*\*) Term: **15 Years**

(Continued)

(21) Appl. No.: **29/557,650**

(22) Filed: **Mar. 10, 2016**

*Primary Examiner* — Robert M Spear

*Assistant Examiner* — Marissa J Cash

(30) **Foreign Application Priority Data**

(74) *Attorney, Agent, or Firm* — Patterson Thuente Pedersen, P.A.

Sep. 11, 2015 (EM) ..... 002771402

(51) **LOC (10) Cl.** ..... **27-01**

(52) **U.S. Cl.**  
USPC ..... **D27/101**

(58) **Field of Classification Search**  
CPC ..... A24F 47/00; A24F 47/002; A24B 15/243;  
A24B 15/16; A24B 15/167; A61M  
11/042; A61M 15/06

See application file for complete search history.

(57) **CLAIM**

I claim the ornamental design for an electronic cigarette, as shown.

(56) **References Cited**

**DESCRIPTION**

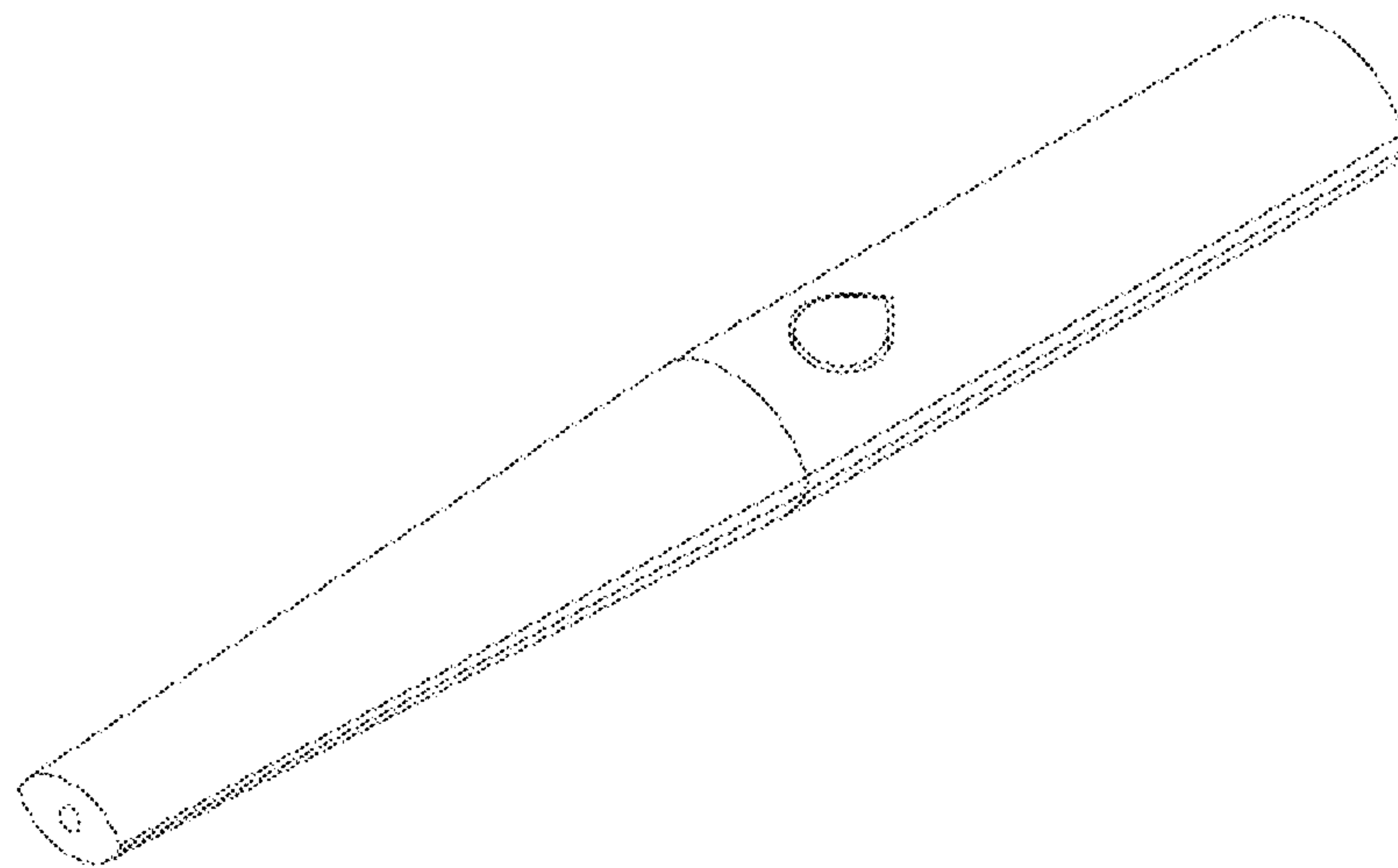
U.S. PATENT DOCUMENTS

D644,375 S \* 8/2011 Zhou ..... D27/101  
D687,181 S \* 7/2013 Goch ..... D27/101  
D694,468 S \* 11/2013 Chen ..... D27/101  
D695,450 S \* 12/2013 Benassayag ..... D24/110.5  
D720,095 S \* 12/2014 Alima ..... D27/101  
D720,881 S \* 1/2015 Liu ..... D27/101  
D720,882 S \* 1/2015 Albanese ..... D27/101  
D720,883 S \* 1/2015 Albanese ..... D27/101  
D723,215 S \* 2/2015 Chen ..... D27/101  
D723,216 S \* 2/2015 Chen ..... D27/101  
D724,780 S \* 3/2015 Wu ..... D27/101  
D725,310 S \* 3/2015 Eksouzian ..... D27/101

(Continued)

FIG. 1 is a perspective view of an electronic cigarette.  
FIG. 2 is a front view of the electronic cigarette depicted in FIG. 1.  
FIG. 3 is a back view of the electronic cigarette depicted in FIG. 1.  
FIG. 4 is a right side view of the electronic cigarette depicted in FIG. 1.  
FIG. 5 is a left side view of the electronic cigarette depicted in FIG. 1.  
FIG. 6 is a top view of the electronic cigarette depicted in FIG. 1; and,  
FIG. 7 is a bottom view of the electronic cigarette depicted in FIG. 1.

**1 Claim, 3 Drawing Sheets**



(56)

References Cited

U.S. PATENT DOCUMENTS

D730,571 S \* 5/2015 Chen ..... D27/101  
 D732,239 S \* 6/2015 Chen ..... D27/101  
 D748,852 S \* 2/2016 Wu ..... D27/101  
 D752,278 S \* 3/2016 Verleur ..... D13/103  
 D758,650 S \* 6/2016 Wu ..... D27/101  
 D759,303 S \* 6/2016 Afridi ..... D27/101  
 D760,948 S \* 7/2016 Eksouzian ..... D27/101  
 D761,998 S \* 7/2016 Pinder ..... D27/101  
 9,402,422 B2 \* 8/2016 Shenkal ..... A24F 47/008  
 D776,337 S \* 1/2017 Levin ..... D27/101  
 D776,869 S \* 1/2017 Heidl ..... D27/163  
 2011/0290249 A1 \* 12/2011 Schennum ..... A61M 15/009  
 128/202.21  
 2013/0152954 A1 \* 6/2013 Youn ..... A61M 15/06  
 131/273  
 2013/0199528 A1 \* 8/2013 Goodman ..... F22B 1/282  
 128/203.26  
 2015/0034104 A1 \* 2/2015 Zhou ..... A24F 47/008  
 131/329  
 2015/0114406 A1 \* 4/2015 Newton ..... A24F 47/002  
 131/329  
 2015/0122252 A1 \* 5/2015 Frija ..... A24F 47/008  
 128/202.21  
 2015/0342258 A1 \* 12/2015 Chen ..... H05B 3/06  
 131/329  
 2016/0213062 A1 \* 7/2016 Doyle ..... A24F 47/002  
 2016/0270446 A1 \* 9/2016 Shenkal ..... A24F 47/008  
 2016/0331912 A1 \* 11/2016 Trzeczieski ..... A61M 11/042  
 2016/0353799 A1 \* 12/2016 Otto ..... H05B 3/0014  
 2016/0353805 A1 \* 12/2016 Hawes ..... A24F 47/008

FOREIGN PATENT DOCUMENTS

CN 302562187 S 9/2013  
 CN 302754654 S 3/2014  
 CN 302754655 S 3/2014  
 CN 302876547 S 7/2014  
 CN 302901687 S 8/2014  
 CN 3029193495 8/2014  
 CN 302973623 S 10/2014  
 CN 3029845205 10/2014  
 CN 302996444 S 11/2014  
 CN 303014026 S 11/2014  
 CN 303076662 S 1/2015  
 CN 303103383 S 2/2015  
 CN 303146077 S 3/2015

EM 001025779-000 11/2008  
 EM 002366328-000 12/2013  
 EM 002523589-000 2/2014  
 EM 002434068-000 4/2014  
 EM 002461251-000 5/2014  
 EM 002523589-000 10/2014  
 EM 002549253-000 11/2014  
 WO WODM081209 7/2013

OTHER PUBLICATIONS

Malaysian Office Action for Malaysian Application No. 16-00293-0303 dated May 11, 2016.  
 Malaysian Office Action for Malaysian Application No. 16-00292-0203 dated May 11, 2016.  
 Malaysian Office Action for Malaysian Application No. 16-00291-0103 dated May 11, 2016.  
 Office Action for Mexican Patent Application No. MX/f/2016/000800, dated Sep. 6, 2016, 1 page.  
 Office Action for Russian Patent Application No. 2016500858/49, dated Apr. 21, 2016, 2 pages.  
 Examination Report for European Model Design Application No. 0027714020001 dated Sep. 23, 2015, 2 pages.  
 Formality Examination Report, for Philippines Patent Application No. Mar. 2016/000249, dated Apr. 8, 2016, 1 page.  
 Formality Examination Report, for Philippines Patent Application No. Mar. 2016/000250 No. 3, dated Apr. 12, 2016, 1 page.  
 Notice of Issuance for Chinese Patent Application No. 201630069416.9, dated Jun. 1, 2016, 2 pages.  
 Notice of Issuance for Chinese Patent Application No. 201630069415.4, dated Jun. 2016, 2 pages.  
 Notice of Allowance for Japanese Patent Application No. 2016-5376, dated Jun. 1, 2016, 2 pages.  
 Notice of Allowance for Japanese Patent Application No. 2016-005377, dated Jun. 2016, 2 pages.  
 Registration for Australian Patent Application no. 201611354, dated Apr. 26, 2016, 4 pages.  
 Decision of Grant for Russian Patent Application No. 2016500856/49, dated Oct. 25, 2016, 3 pages.  
 Decision of Grant for Russian Patent Application No. 2016500857/49, dated Nov. 2, 2016, 4 pages.  
 Decision of Grant for Russian Patent Application No. 2016500858/49, dated Nov. 21, 2016, 4 pages.  
 Application and File History for U.S. Design Appl. No. 29/557,655.  
 Application and File History for U.S. Design Appl. No. 29/557,652.  
 Application, Drawings and Filing Receipt for U.S. Design Appl. No. 29/536,564, filed Aug. 18, 2015, inventors Lafferty et al.

\* cited by examiner

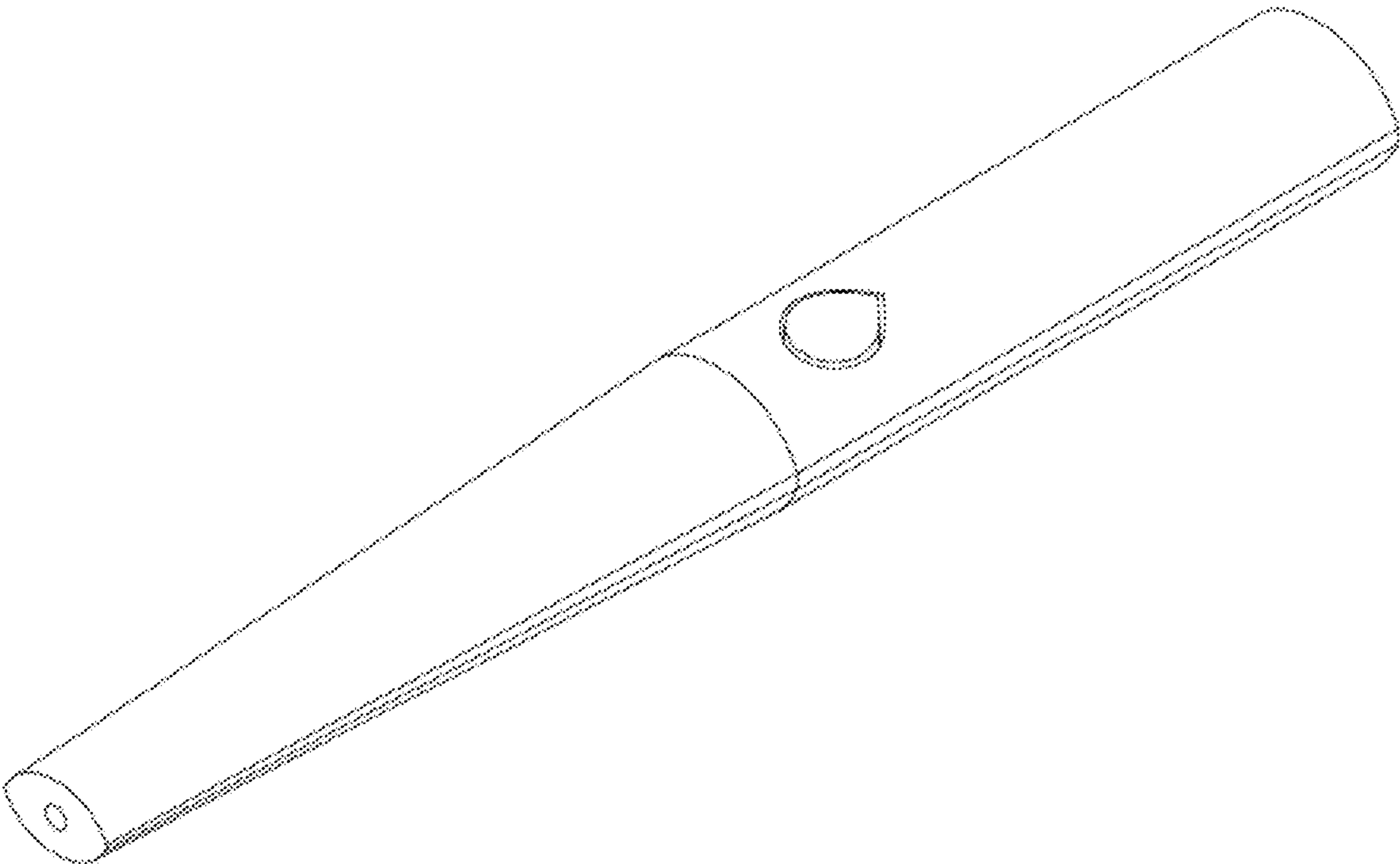


FIG. 1

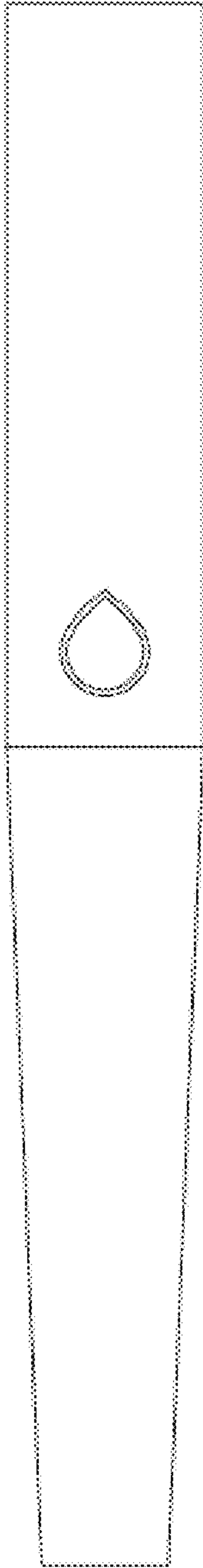


FIG. 2

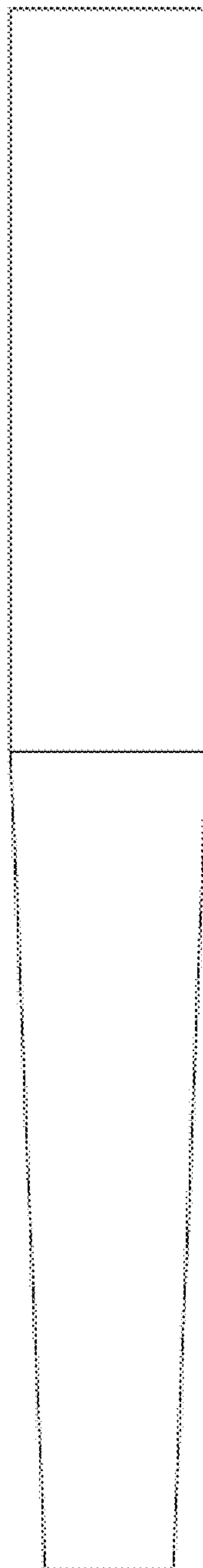


FIG. 3

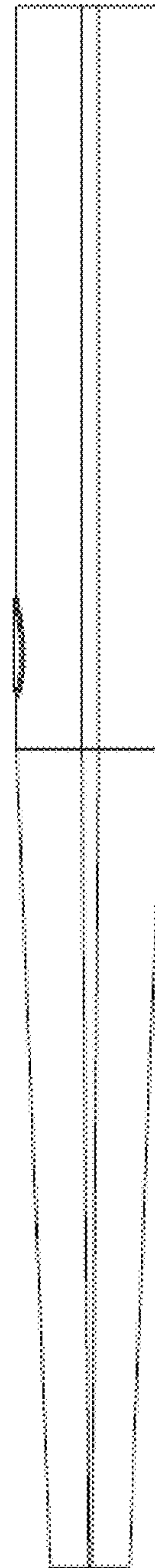


FIG. 4



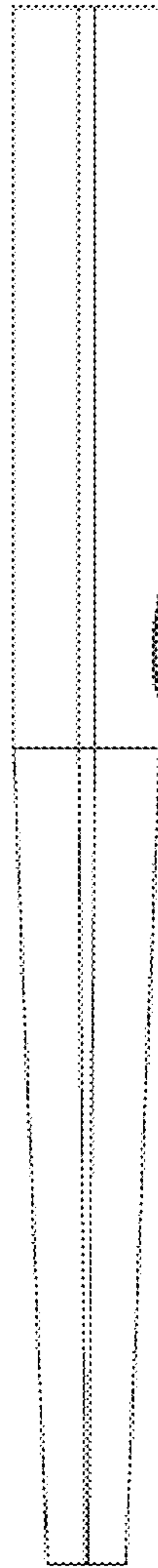


FIG. 5



FIG. 6

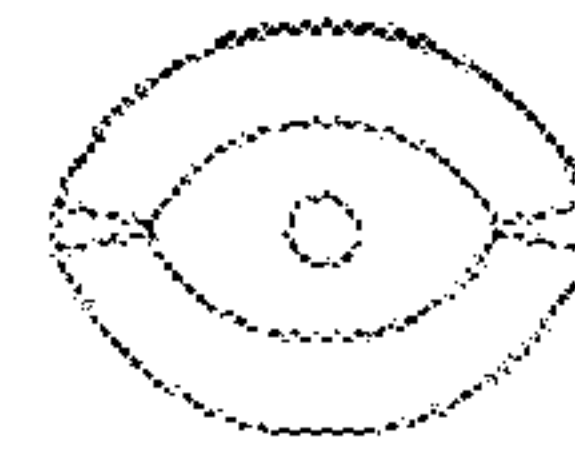


FIG. 7