



US00D805681S

(12) **United States Design Patent** (10) **Patent No.:** **US D805,681 S**  
**You** (45) **Date of Patent:** **\*\* Dec. 19, 2017**

(54) **BALLOON CONNECTOR WITH LED LIGHTING ARRANGEMENT**  
(71) Applicant: **Zhejiang Flymy Optoelectronic Technology Co., Ltd.**, Yiwu, Zhejiang Province (CN)  
(72) Inventor: **Wenbiao You**, Yiwu (CN)  
(\*\*) Term: **15 Years**  
(21) Appl. No.: **29/567,478**  
(22) Filed: **Jun. 9, 2016**  
(51) **LOC (10) Cl.** ..... **26-04**  
(52) **U.S. Cl.**  
USPC ..... **D26/113**  
(58) **Field of Classification Search**  
USPC ..... D23/411; D13/134, 146, 180; D26/2, D26/20, 27, 30, 31, 32, 24, 25, 35, 36, D26/42, 46, 55, 61, 69, 70, 71, 76, 72, D26/85, 113, 78, 80, 88, 89, 101, 110, D26/109, 118-120, 123, 124, 127, 128, D26/130, 133, 134, 138, 139  
CPC .... A45D 40/02; A46B 15/0036; B01D 41/04; B23B 31/02; B23Q 11/005; B23Q 5/045; B25B 23/18; B60R 2021/2633; B60R 21/2644; F21V 19/0095; F21V 33/004; F21V 3/02; F21S 4/10; F21K 9/175; H02K 7/18; H01R 33/942; H01L 31/0203; H05B 33/0803; H05B 33/0818; G01R 31/24  
See application file for complete search history.

(56) **References Cited**  
U.S. PATENT DOCUMENTS  
D100,508 S \* 7/1936 Shrader ..... D13/180  
2,517,882 A \* 8/1950 Johnson ..... B23Q 5/045  
173/217  
4,808,234 A \* 2/1989 McKay ..... B01D 41/04  
134/144

5,525,842 A \* 6/1996 Leininger ..... B23B 31/02  
290/43  
5,557,207 A \* 9/1996 Duve ..... G01R 31/24  
324/133  
6,124,673 A \* 9/2000 Bishop ..... F21V 19/0095  
315/363  
6,149,193 A \* 11/2000 Canterbury ..... B60R 21/2644  
149/35  
D494,687 S \* 8/2004 Matsui ..... D13/180  
D537,414 S \* 2/2007 Saito ..... D13/146  
D616,822 S \* 6/2010 Zayas ..... D13/134  
D716,733 S \* 11/2014 Nagasawa ..... D13/134  
D744,634 S \* 12/2015 Wang ..... D23/411  
D769,193 S \* 10/2016 Willette ..... D13/134  
D771,794 S \* 11/2016 Wang ..... D23/411  
D771,795 S \* 11/2016 Wang ..... D23/411

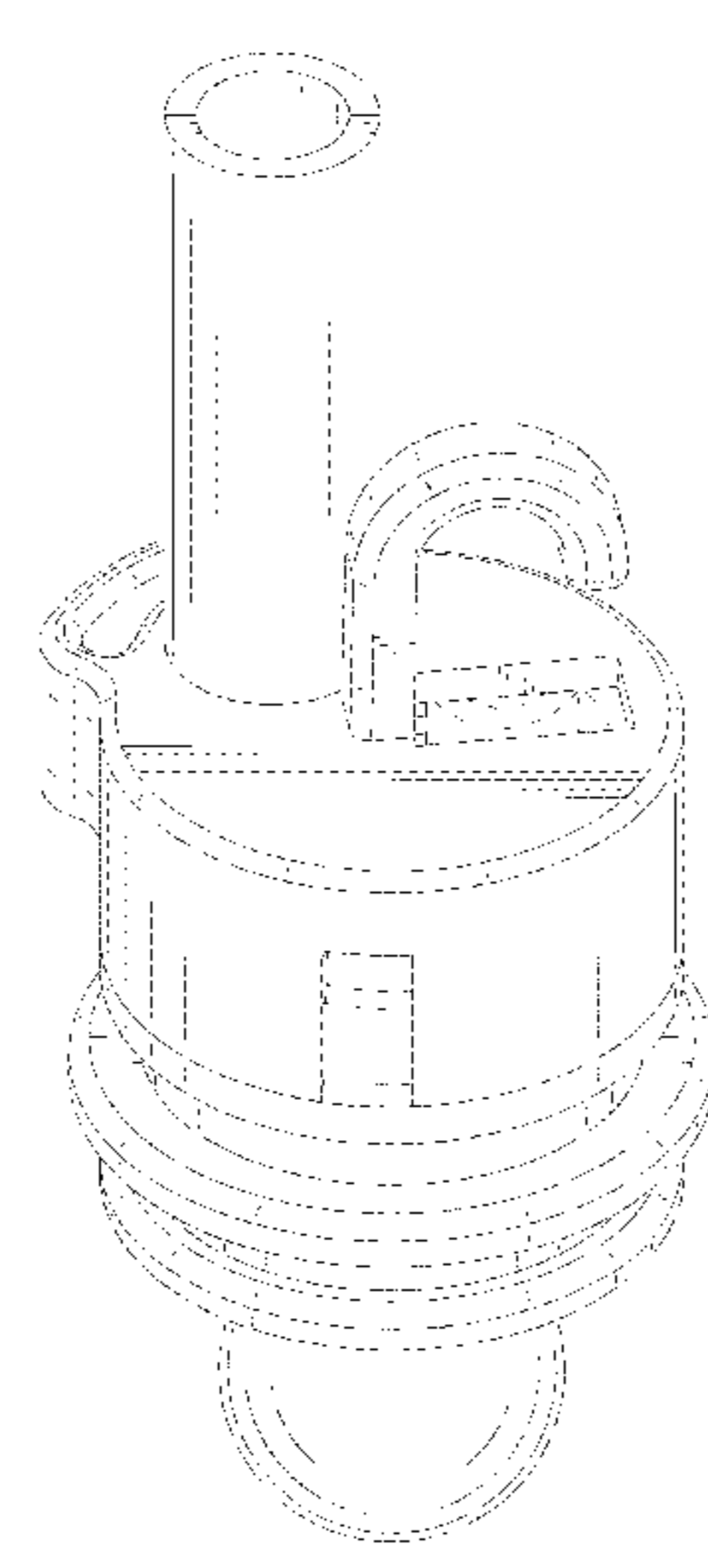
(Continued)

*Primary Examiner* — Kevin K Rudzinski  
*Assistant Examiner* — Paul D Bohannon  
(74) *Attorney, Agent, or Firm* — Novoclaims Patent Services LLC; Mei Lin Wong

(57) **CLAIM**  
The ornamental design for a balloon connector with LED lighting arrangement, substantially as shown and described.

**DESCRIPTION**  
FIG. 1 is a perspective view of a balloon connector with LED lighting arrangement, showing my new design.  
FIG. 2 is a front bottom perspective view thereof.  
FIG. 3 is a front elevational view thereof.  
FIG. 4 is a rear elevational view thereof.  
FIG. 5 is a left side elevational view thereof.  
FIG. 6 is a right side elevational view thereof.  
FIG. 7 is a top plan view thereof; and,  
FIG. 8 is a bottom plan view thereof.  
The broken lines showing of portions of the balloon connector with LED lighting arrangement forms no part of the claimed design.

**1 Claim, 8 Drawing Sheets**



(56)

**References Cited**

U.S. PATENT DOCUMENTS

2011/0038159 A1\* 2/2011 Carlson ..... F21S 4/10  
362/249.16  
2011/0042558 A1\* 2/2011 Naruse ..... H01L 31/0203  
250/239  
2011/0103873 A1\* 5/2011 Chou ..... A45D 40/02  
401/52  
2012/0211618 A1\* 8/2012 Drury ..... F21V 33/004  
248/231.81  
2014/0009064 A1\* 1/2014 Kornitz ..... H05B 33/0803  
315/53  
2014/0268791 A1\* 9/2014 Randolph ..... F21V 3/02  
362/277  
2015/0146418 A1\* 5/2015 Lin ..... F21K 9/175  
362/217.13  
2015/0176771 A1\* 6/2015 Lin ..... F21K 9/175  
439/226  
2015/0198291 A1\* 7/2015 Lin ..... F21K 9/175  
362/217.13  
2016/0088693 A1\* 3/2016 Zhao ..... H05B 33/0818  
315/51

\* cited by examiner

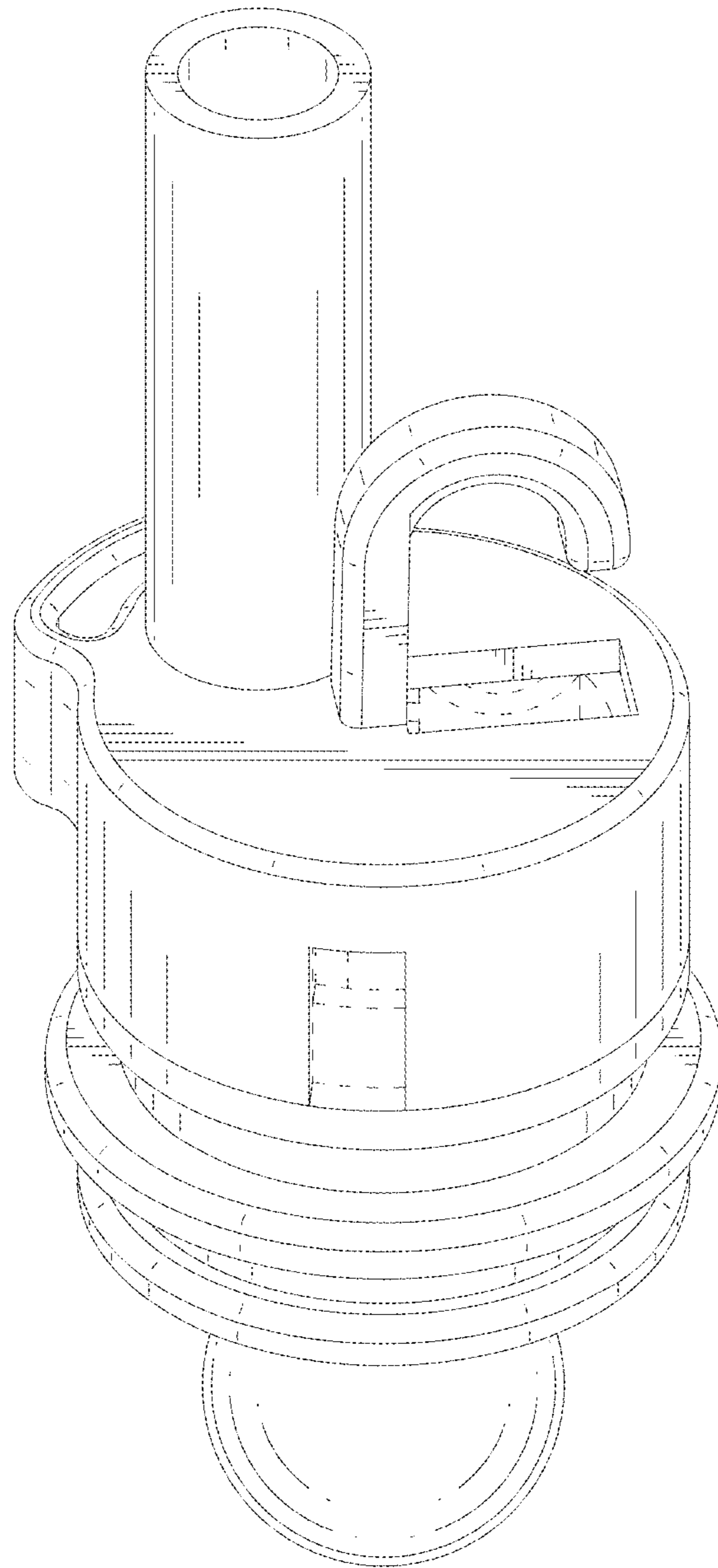


FIG. 1

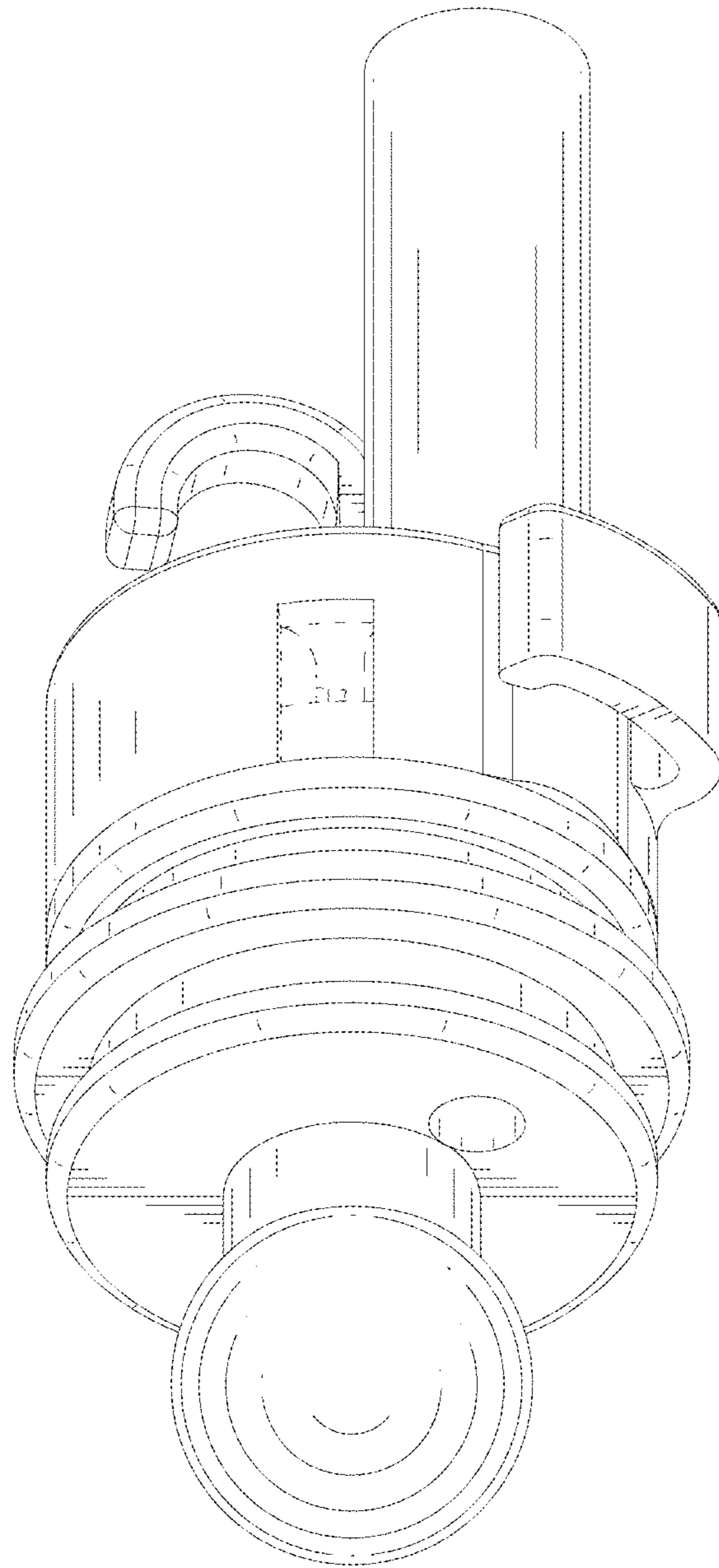


FIG.2

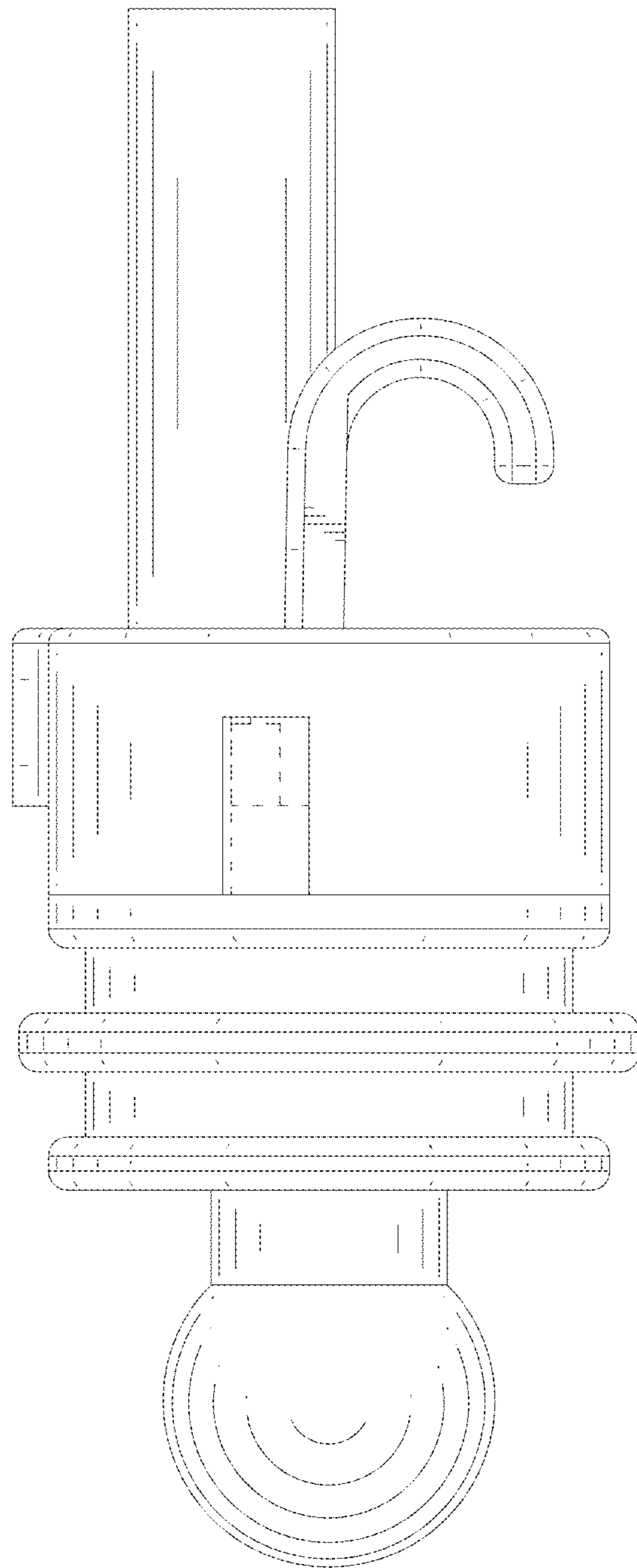


FIG.3

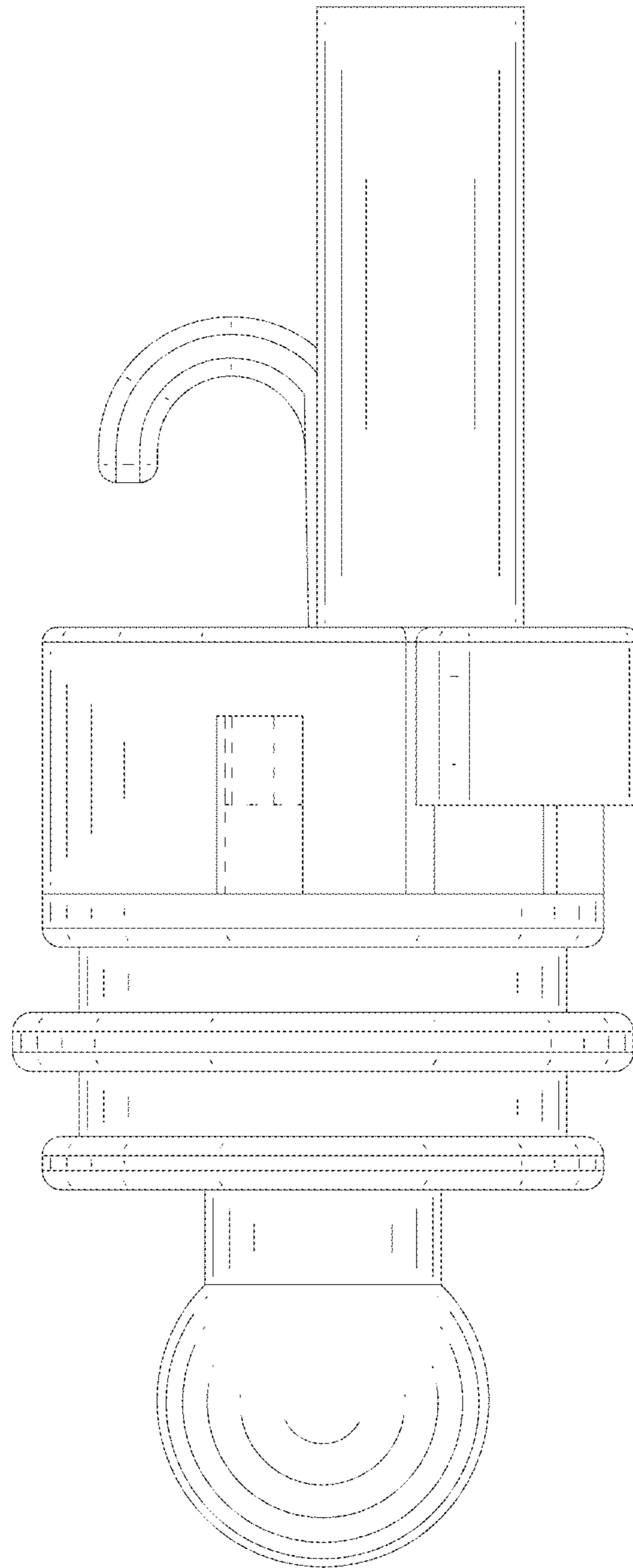


FIG.4



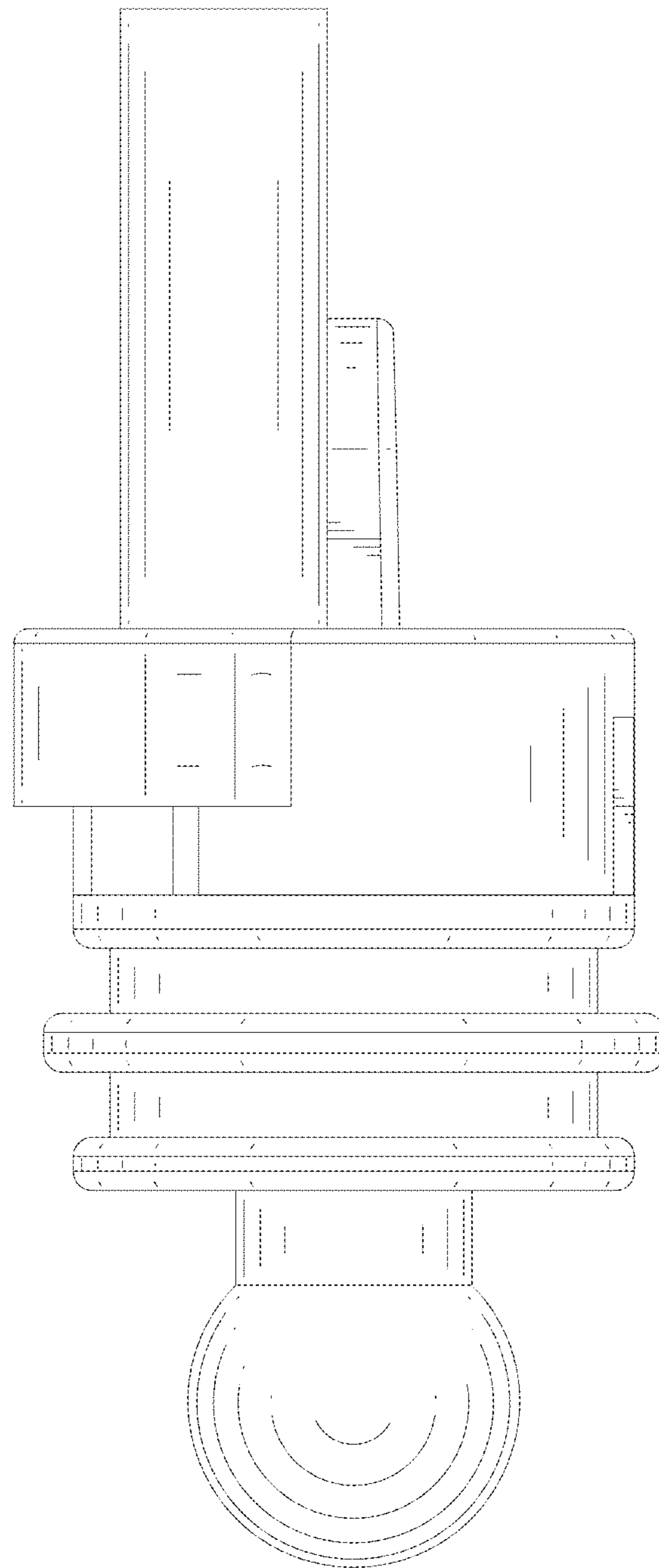


FIG.5

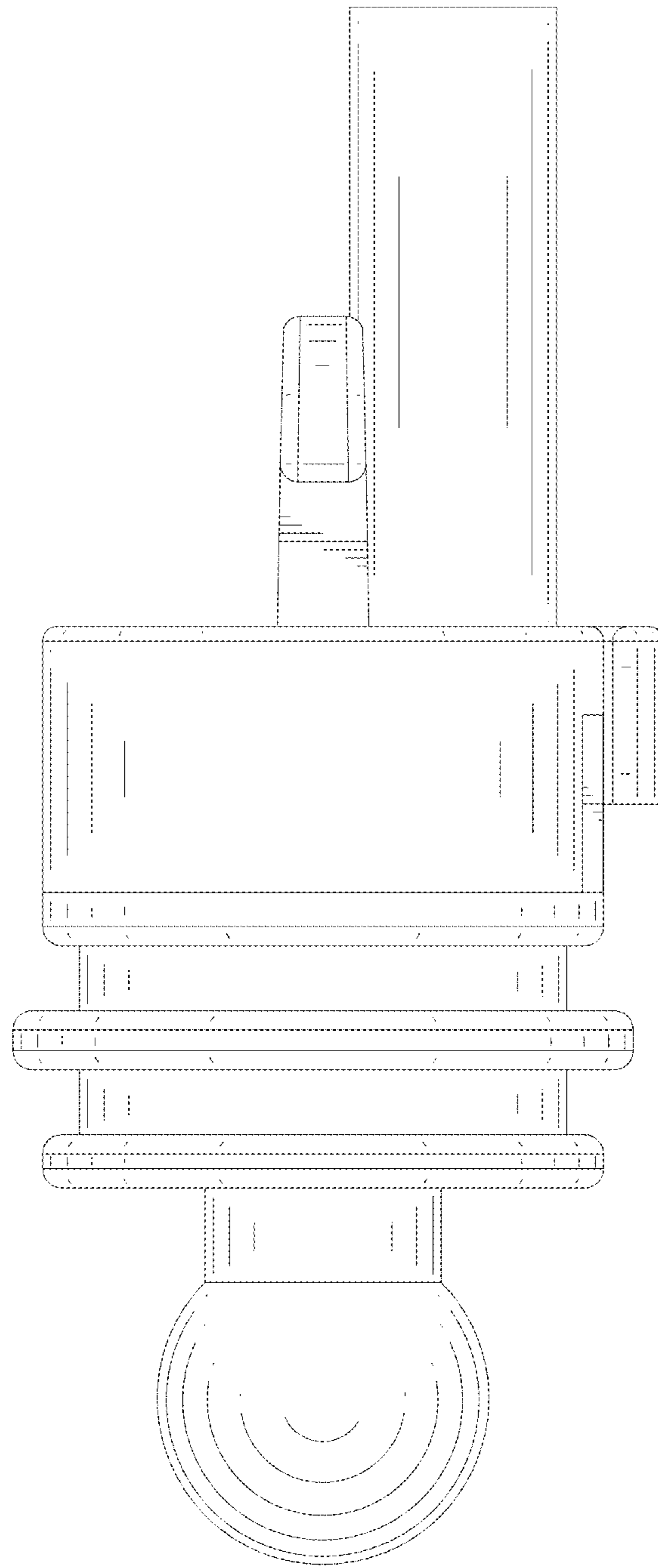


FIG.6



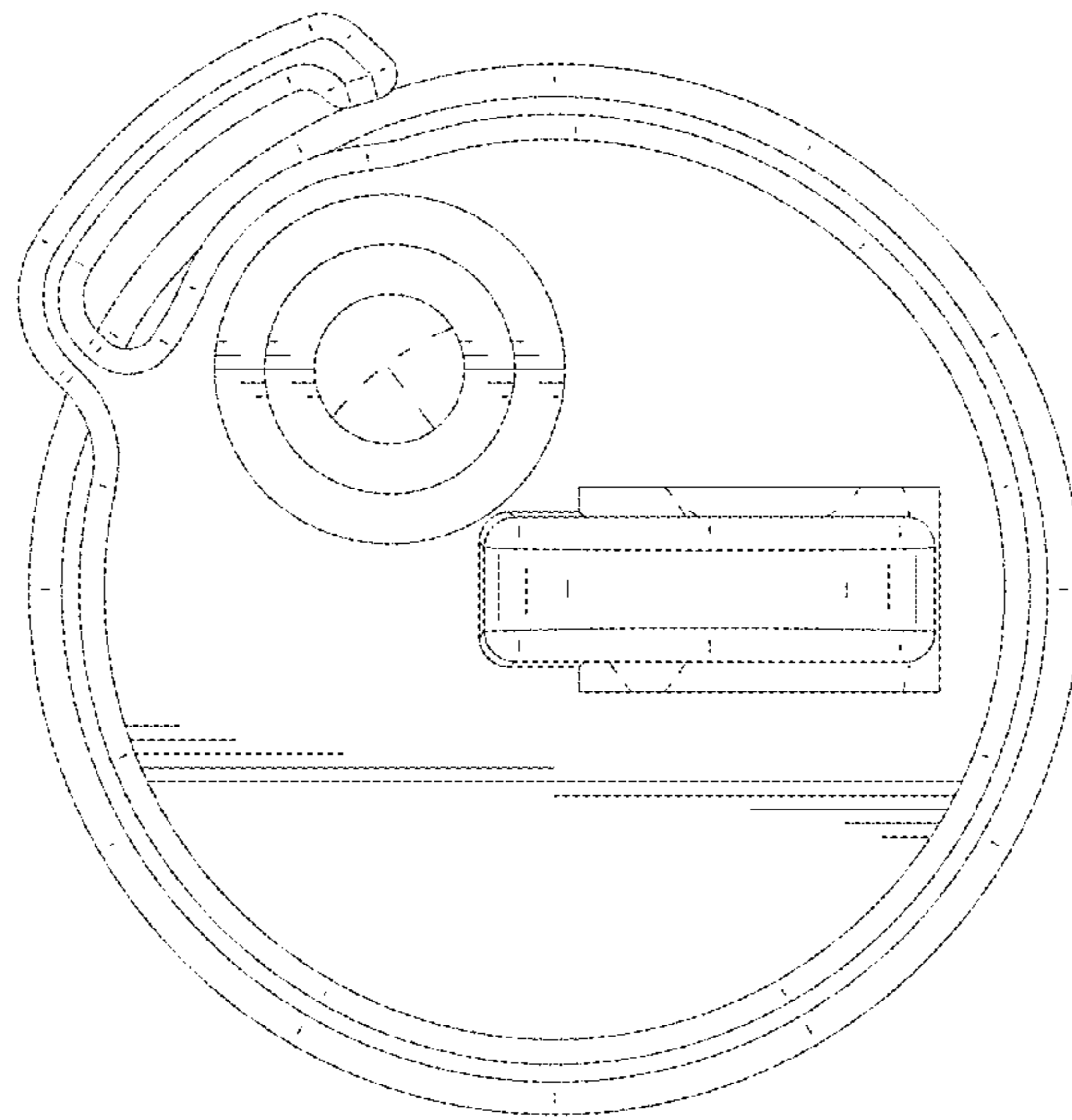


FIG.7

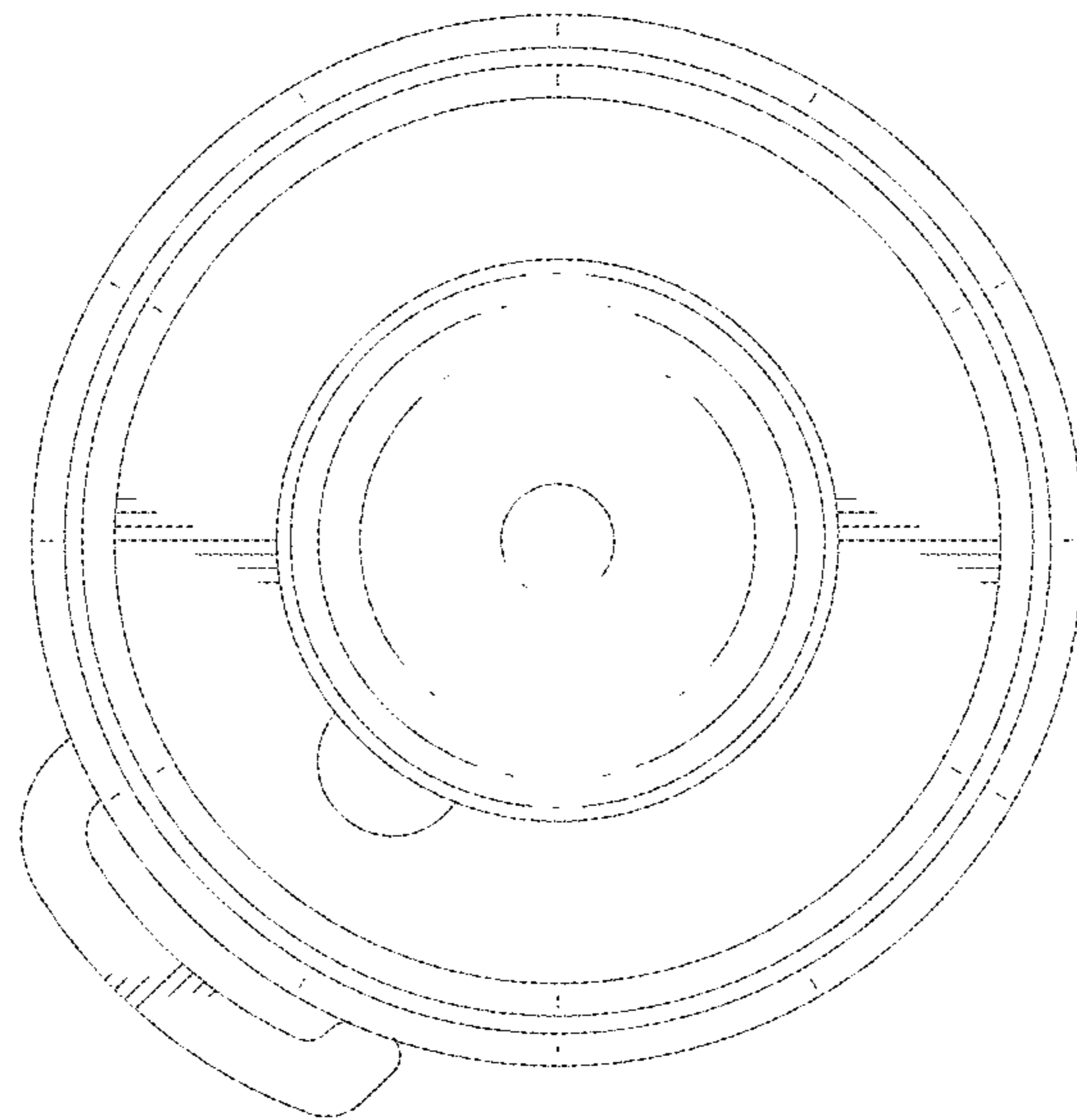


FIG.8