



US00D805680S

(12) **United States Design Patent**  
**Akiyama**

(10) **Patent No.:** **US D805,680 S**

(45) **Date of Patent:** **\*\* Dec. 19, 2017**

- (54) **DRIVER HOUSING**
- (71) Applicant: **KENALL MANUFACTURING COMPANY**, Kenosha, WI (US)
- (72) Inventor: **Steven Akiyama**, New Lenox, IL (US)
- (73) Assignee: **KENALL MANUFACTURING COMPANY**, Kenosha, WI (US)

4,762,160 A \* 8/1988 Bechtold ..... E04D 13/033  
160/265

D311,497 S 10/1990 Vincent, Sr.  
5,023,396 A 6/1991 Bartee et al.  
5,301,090 A 4/1994 Hed  
D363,884 S 11/1995 Reede  
D372,968 S \* 8/1996 White ..... D23/386  
5,738,436 A 4/1998 Cummings et al.  
5,792,214 A 8/1998 Larsson et al.

(Continued)

- (\*\*) Term: **15 Years**
- (21) Appl. No.: **29/547,309**
- (22) Filed: **Dec. 2, 2015**

**OTHER PUBLICATIONS**

ARSTC Flat Top-Mount Rack Shelf, image post date Dec. 25, 2010, site visited Apr. 3, 2015, (online), <[http://web.archive.org/web/20101225130211/http://www.bhphotovideo.com/c/product/528661-REG/Odyssey\\_Innovative\\_Designs\\_ARSTC\\_ARSTC\\_Flat\\_Top\\_Mount\\_Rack.html](http://web.archive.org/web/20101225130211/http://www.bhphotovideo.com/c/product/528661-REG/Odyssey_Innovative_Designs_ARSTC_ARSTC_Flat_Top_Mount_Rack.html)>.\*

(Continued)

*Primary Examiner* — Kevin Rudzinski  
*Assistant Examiner* — Sean D Lough  
(74) *Attorney, Agent, or Firm* — Marshall, Gerstein & Borun LLP

**Related U.S. Application Data**

- (60) Continuation of application No. 29/358,281, filed on Sep. 2, 2015, which is a division of application No. 29/475,909, filed on Dec. 9, 2013, now Pat. No. Des. 742,581.
- (51) **LOC (10) Cl.** ..... **26-99**
- (52) **U.S. Cl.**  
USPC ..... **D26/113**
- (58) **Field of Classification Search**  
USPC ... D26/9, 10, 12, 13, 15, 16, 24, 51, 61, 72, D26/76, 80, 81, 85, 86, 88, 90, 113, 118, D26/119, 120, 122, 128, 129, 138, 143, D26/144; D13/180; D10/18, 21, 24, 25, D10/27, 28, 46, 93, 104.1  
CPC .... B60Q 1/04; B60Q 1/26; F21S 8/026; F21S 8/04; F21V 29/004; F21V 21/02; F21V 21/04; F21V 29/2212; F21Y 2101/02  
See application file for complete search history.

(57) **CLAIM**

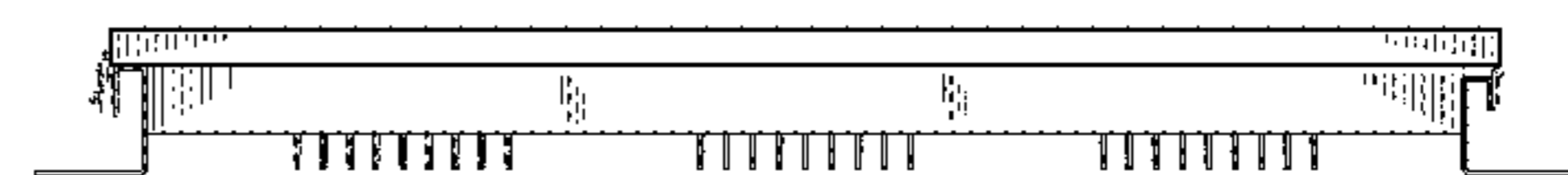
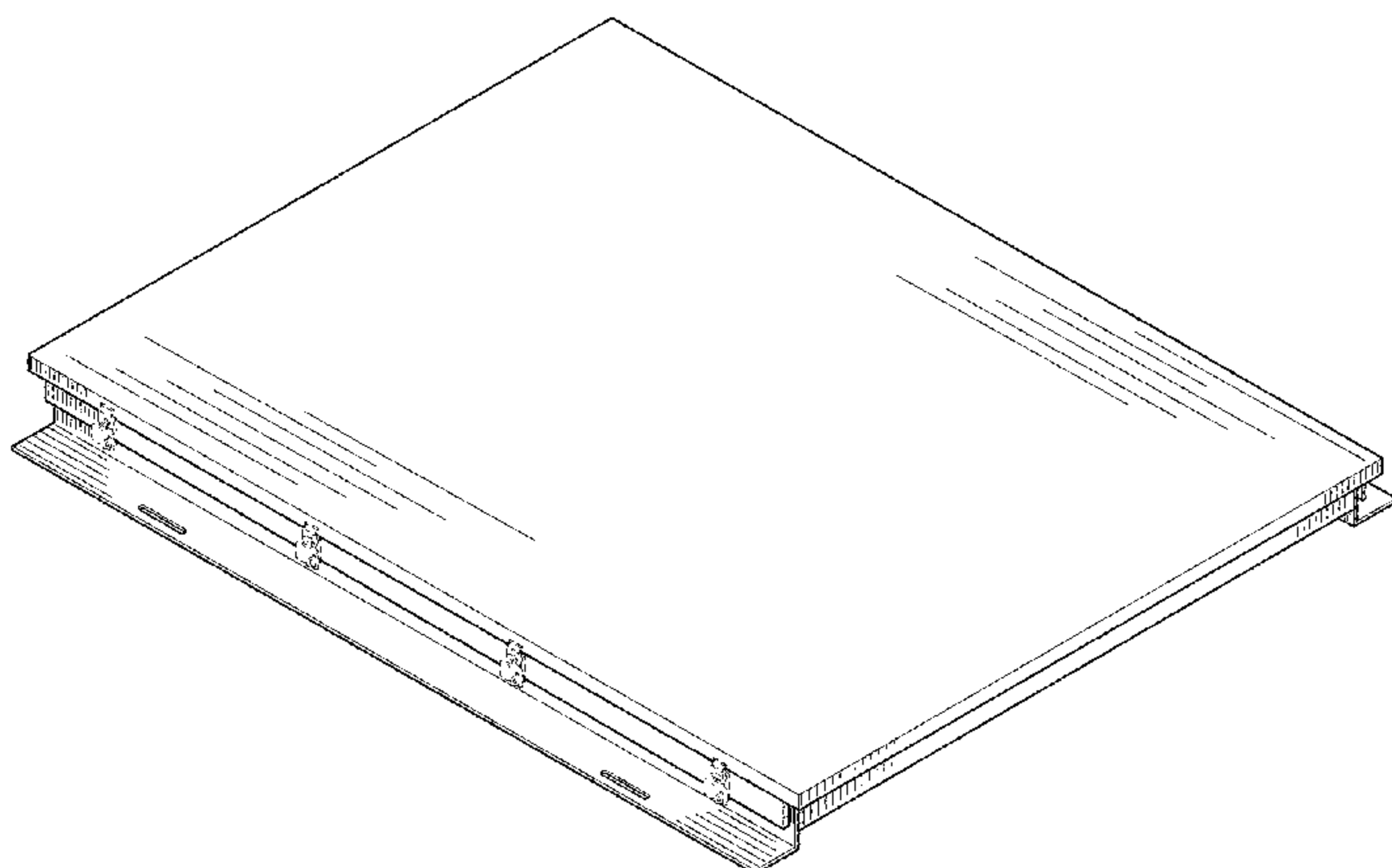
The ornamental design for a driver housing, as shown and described.

**DESCRIPTION**

FIG. 1 is a perspective view showing a new design for a driver housing;  
FIG. 2 is a front view of the driver housing of FIG. 1;  
FIG. 3 is a rear view of the driver housing of FIG. 1;  
FIG. 4 is a left-side view of the driver housing of FIG. 1;  
FIG. 5 is a right-side view of the driver housing of FIG. 1;  
FIG. 6 is a top view of the driver housing of FIG. 1; and,  
FIG. 7 is a bottom view of the driver housing of FIG. 1.  
The dashed lines showing portions of the driver housing are included for the purpose of illustrating environment and form no part of the claimed design.

**1 Claim, 5 Drawing Sheets**

- (56) **References Cited**  
U.S. PATENT DOCUMENTS  
2,579,662 A \* 12/1951 Gibson ..... E04D 13/174  
454/365  
3,793,930 A \* 2/1974 Constantinescu ..... F24F 7/02  
454/357



(56)

References Cited

U.S. PATENT DOCUMENTS

5,806,972 A 9/1998 Kaiser et al.  
D412,564 S \* 8/1999 Pustelnik ..... D23/330  
6,039,582 A 3/2000 Geis et al.  
D427,533 S 7/2000 Cowan et al.  
6,197,444 B1 3/2001 Vackar  
6,201,885 B1 3/2001 Hodgson et al.  
6,232,553 B1 5/2001 Regen  
6,375,338 B1 4/2002 Cummings et al.  
D456,787 S 5/2002 Wasada et al.  
D465,463 S 11/2002 Wasada et al.  
6,493,224 B1 12/2002 Mottahed  
D482,662 S 11/2003 Foster et al.  
7,102,172 B2 9/2006 Lynch et al.  
D552,451 S \* 10/2007 Yashar ..... D8/349  
D599,485 S 9/2009 Burrows et al.  
D613,243 S \* 4/2010 Burt ..... D13/102  
D618,327 S \* 6/2010 Rupikowski ..... D23/342  
D621,016 S \* 8/2010 Garcia ..... D23/330  
D627,824 S 11/2010 Nakayama et al.  
D628,718 S \* 12/2010 Grubka ..... D25/141  
D631,431 S \* 1/2011 DeFelice ..... D13/102  
7,918,591 B2 4/2011 Lynch  
D638,367 S 5/2011 Isaacks et al.  
D654,211 S 2/2012 Melzner et al.  
D664,699 S \* 7/2012 Nakahira ..... D26/74  
D671,251 S 11/2012 Piegras et al.  
D679,036 S 3/2013 Inoue  
D697,022 S \* 1/2014 Truthseeker ..... D13/102  
D703,305 S \* 4/2014 Stollenwerk O'Hagin . D23/373  
D715,800 S 10/2014 Cornelison  
9,134,014 B2 \* 9/2015 Lyu ..... F21V 21/04  
D745,000 S \* 12/2015 Lim ..... D14/341  
9,249,571 B1 \* 2/2016 White ..... E04C 2/292  
D754,083 S \* 4/2016 Vinciarelli ..... D13/182  
D754,658 S \* 4/2016 Sumii ..... D14/363  
D760,230 S \* 6/2016 Iizuka ..... D13/184  
D760,990 S \* 7/2016 Baker ..... D34/38  
9,414,456 B2 \* 8/2016 Wong ..... F21S 4/28  
D769,810 S \* 10/2016 Lin ..... D13/103  
D769,834 S \* 10/2016 Kawase ..... D13/182  
D772,172 S \* 11/2016 Takano ..... D13/147  
D773,409 S \* 12/2016 Rodarte ..... D13/179  
D773,413 S \* 12/2016 Yoneyama ..... D13/182  
D774,451 S \* 12/2016 Castillo-Aguilella ..... D13/102  
D774,874 S \* 12/2016 Wentzel ..... D8/349  
D775,093 S \* 12/2016 Vinciarelli ..... D13/182  
D777,124 S \* 1/2017 Hasegawa ..... D13/182  
9,544,973 B2 \* 1/2017 Dahlen ..... H05B 37/00  
D778,833 S \* 2/2017 Li ..... D13/110  
D778,852 S \* 2/2017 Matsumoto ..... D13/182  
D780,359 S \* 2/2017 Chen ..... D26/63  
D780,362 S \* 2/2017 Akiyama ..... D26/74  
D783,549 S \* 4/2017 Yoneyama ..... D13/182  
D783,550 S \* 4/2017 Hasegawa ..... D13/182  
D784,339 S \* 4/2017 Liao ..... D14/433  
D785,577 S \* 5/2017 Kawase ..... D13/182

D785,616 S \* 5/2017 Zimmermann ..... D14/313  
D786,859 S \* 5/2017 Kim ..... D14/341  
2004/0082209 A1 4/2004 Zenaboni  
2004/0105264 A1 6/2004 Spero  
2007/0076459 A1 4/2007 Limpkin  
2009/0073692 A1 3/2009 Berger et al.  
2009/0290343 A1 11/2009 Brown et al.  
2010/0085748 A1 4/2010 Kelly et al.  
2010/0110684 A1 5/2010 Abdelsamed et al.  
2010/0142202 A1 6/2010 Sugishita et al.  
2010/0280677 A1 11/2010 Budike, Jr.  
2011/0164411 A1 7/2011 Sparing et al.  
2011/0273877 A1 11/2011 Reed et al.  
2012/0159821 A1 6/2012 Miletich et al.  
2012/0176795 A1 7/2012 Lynch  
2012/0217882 A1 8/2012 Wong et al.  
2012/0249016 A1 10/2012 Smith  
2012/0293086 A1 11/2012 Ishikita et al.  
2012/0294000 A1 11/2012 Thomas et al.  
2013/0003373 A1 1/2013 Hamby et al.  
2013/0027935 A1 1/2013 Ladewig et al.  
2013/0049627 A1 2/2013 Roberts et al.  
2013/0058108 A1 3/2013 Blincoe et al.  
2013/0062724 A1 3/2013 Tokuyama et al.  
2013/0063935 A1 3/2013 Thrailkill  
2013/0077311 A1 3/2013 Kinnune et al.  
2013/0208471 A1 8/2013 Lueken et al.  
2014/0198430 A1 7/2014 Veenker  
2014/0294215 A1 10/2014 Caldes  
2014/0340882 A1 11/2014 Woods et al.  
2016/0238233 A1 \* 8/2016 Dube ..... F21V 29/83  
2016/0298835 A1 \* 10/2016 Cercone ..... F21S 8/04  
2016/0305450 A1 \* 10/2016 An ..... F04D 25/06  
2016/0315413 A1 \* 10/2016 Kobayashi ..... H01R 13/521  
2016/0318148 A1 \* 11/2016 Turovets ..... B24B 37/015  
2016/0319823 A1 \* 11/2016 Liessmann ..... F04C 23/008  
2016/0327257 A1 \* 11/2016 Li ..... F21V 23/023  
2016/0341220 A1 \* 11/2016 Kondou ..... F04D 29/164  
2016/0348886 A1 \* 12/2016 Lin ..... F21V 29/74  
2017/0016603 A1 \* 1/2017 Zhang ..... F21V 23/006  
2017/0030361 A1 \* 2/2017 Niemiec ..... F04D 25/088  
2017/0074473 A1 \* 3/2017 Ogg ..... F21S 8/026  
2017/0097147 A1 \* 4/2017 Myers ..... F21V 23/02  
2017/0099426 A1 \* 4/2017 Okunami ..... H04N 5/23212  
2017/0117687 A1 \* 4/2017 Smith ..... H02B 1/56  
2017/0138573 A1 \* 5/2017 Spiel ..... F21V 15/01

OTHER PUBLICATIONS

Rackmount Sliding Shelf, image post date Apr. 12, 2013, site visited Apr. 3, 2015, (online), <<http://web.archive.org/web/20130412173615/http://www.engineersupply.com/Kendall-Howard-Rackmount-Sliding-Shelf.aspx>>.\*  
Waterproof led driver housings, image post date 1999, site visited May 27, 2017, (online), <<https://www.alibaba.com/showroom/waterproof-led-driver-housing.html>>.\*

\* cited by examiner



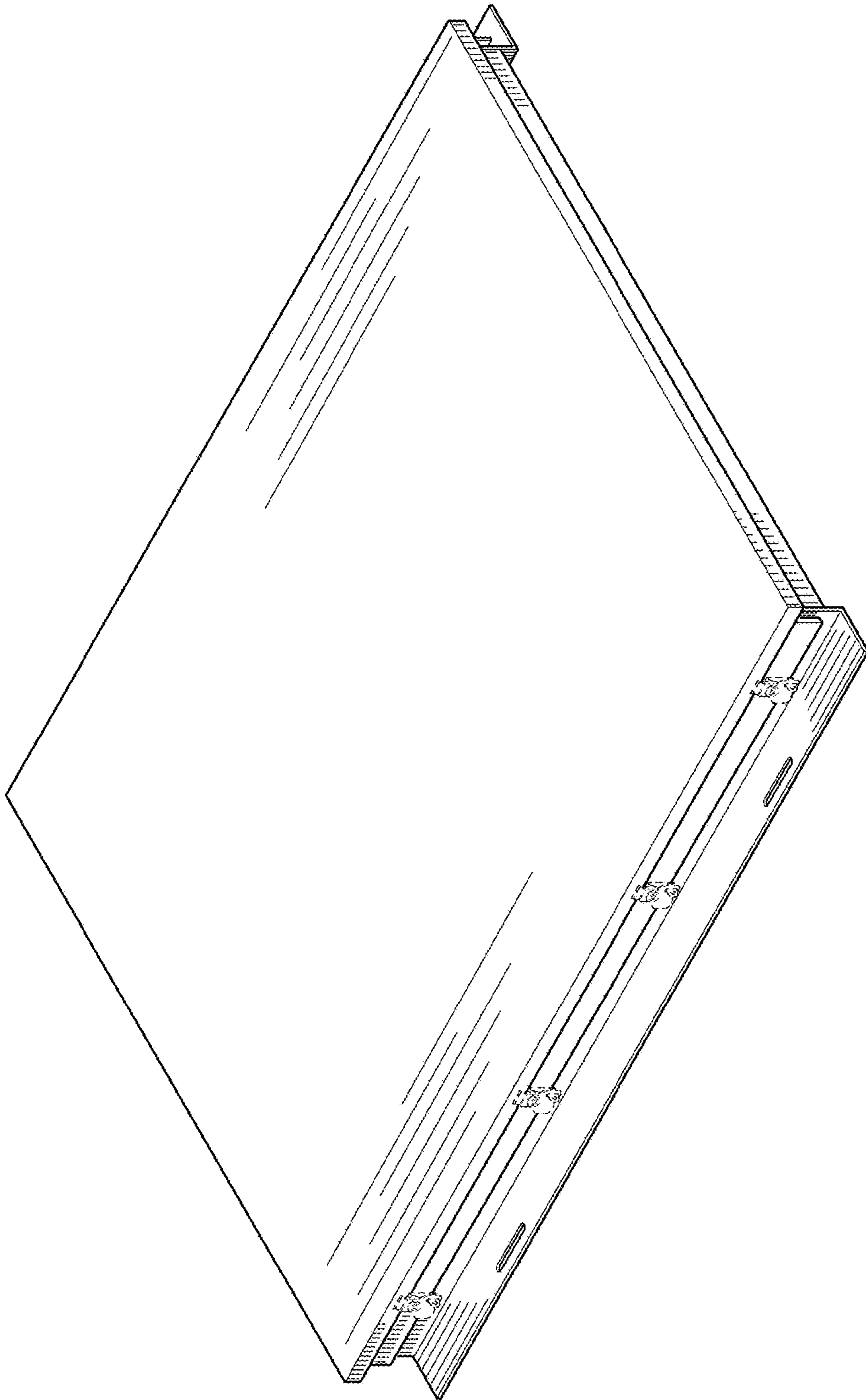
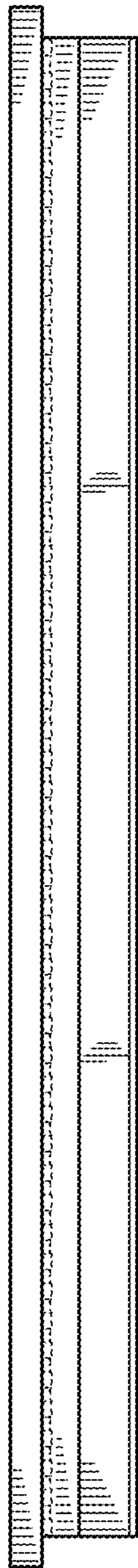
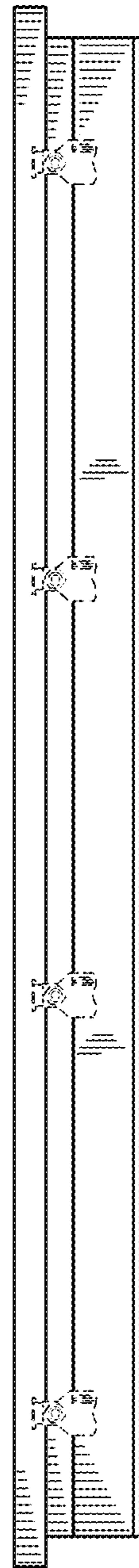


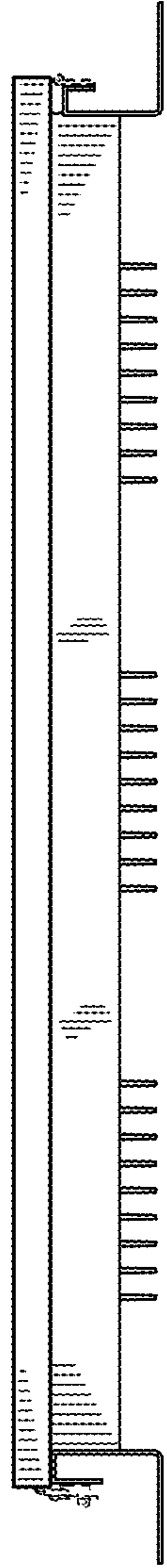
FIG. 1



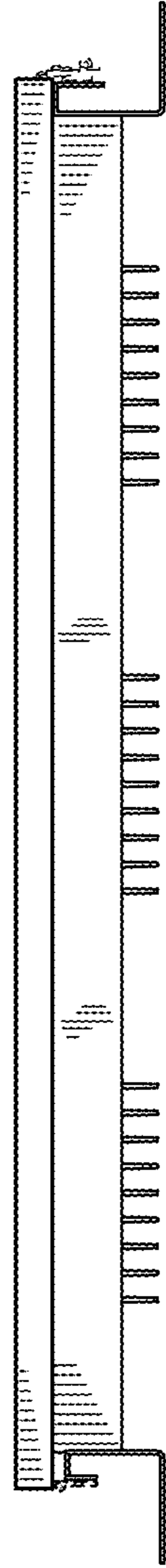
**FIG. 2**



**FIG. 3**



**FIG. 4**



**FIG. 5**

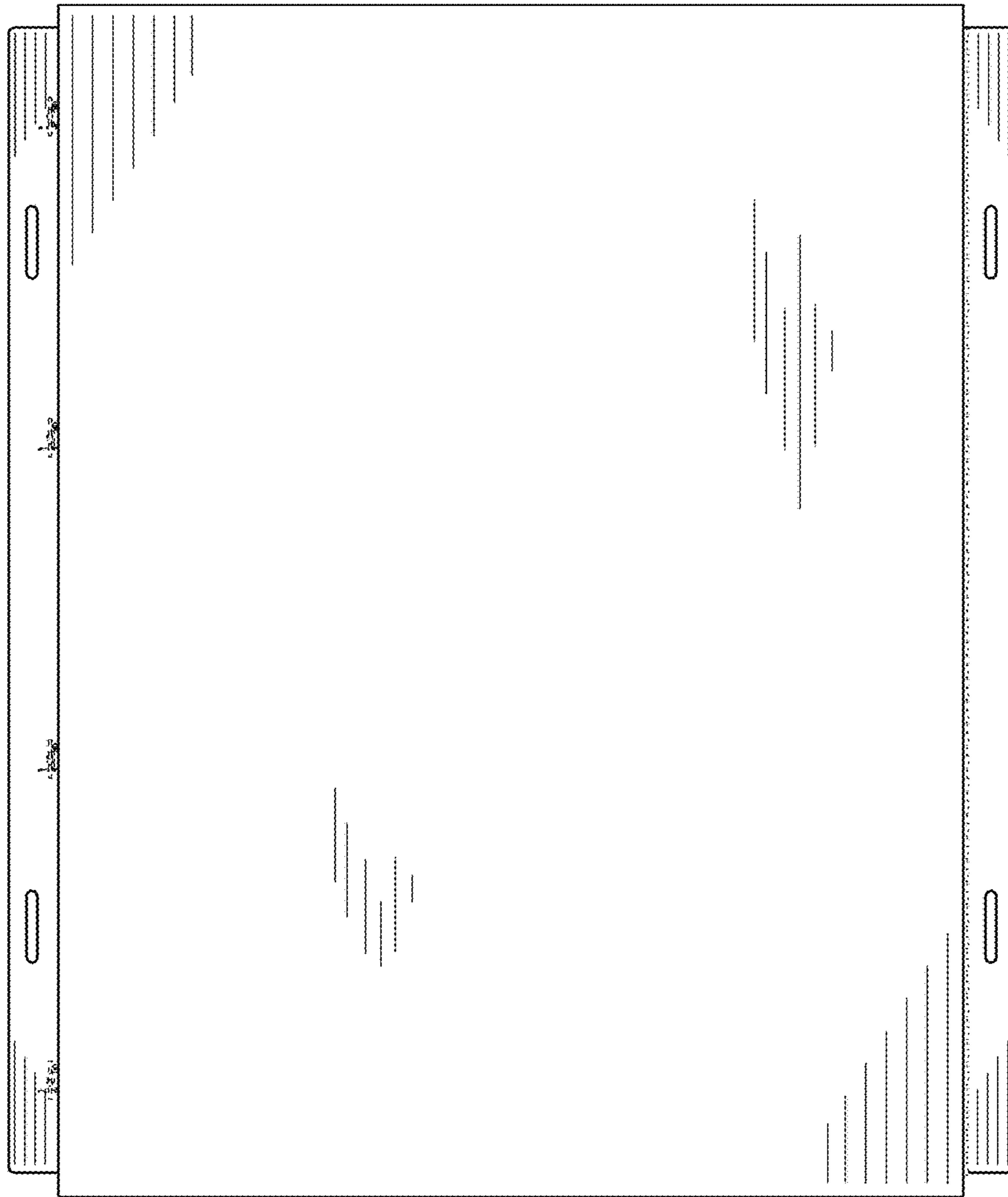


FIG. 6

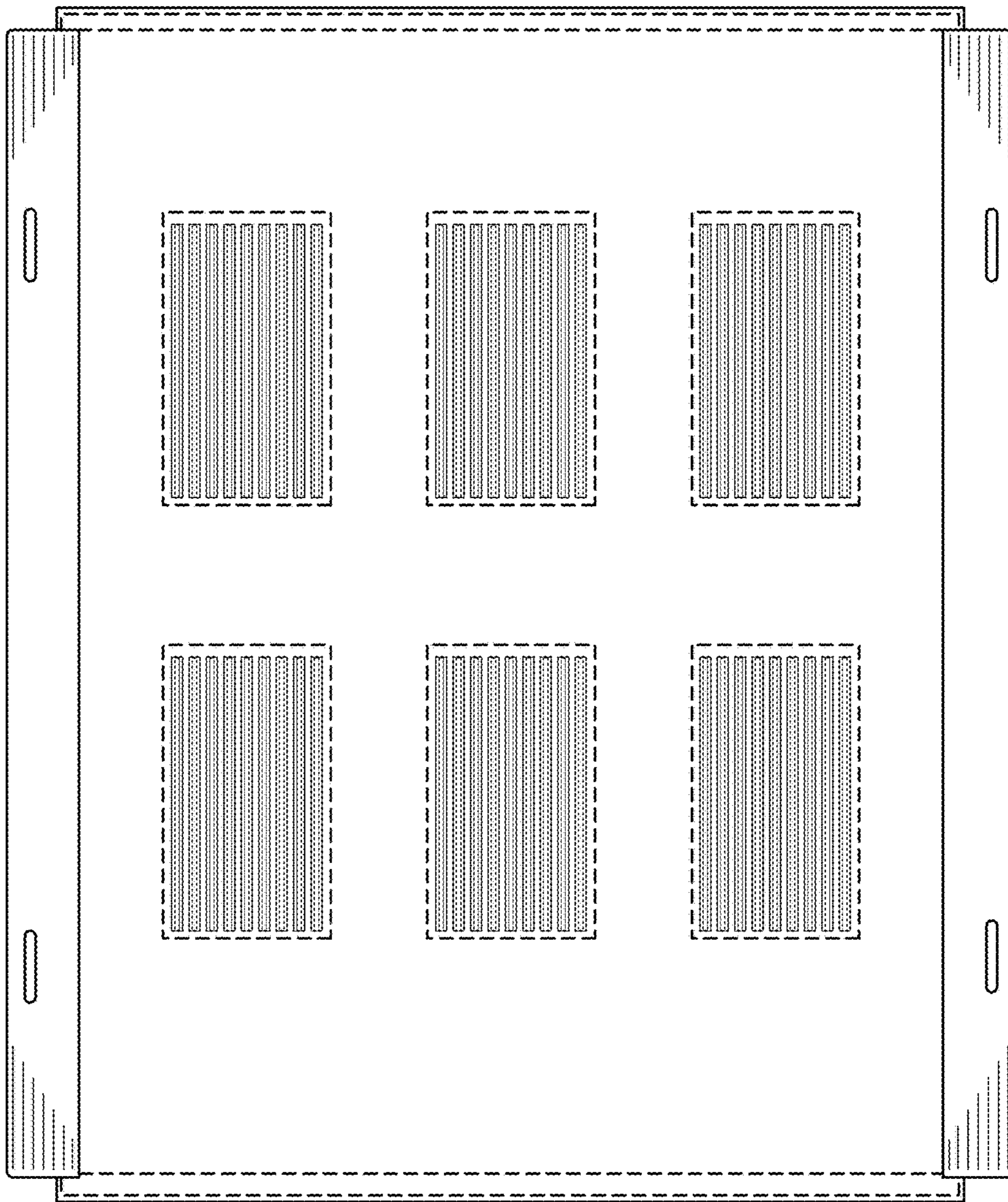


FIG. 7