



US00D805679S

(12) **United States Design Patent**
Sawitz et al.

(10) **Patent No.:** **US D805,679 S**

(45) **Date of Patent:** **** Dec. 19, 2017**

(54) **LIGHT**

(71) Applicant: **Grip Dat, Inc.**, Laguna Beach, CA (US)

(72) Inventors: **Steve Sawitz**, Laguna Beach, CA (US);
Frank Hodges, Corona, CA (US)

(**) Term: **15 Years**

(21) Appl. No.: **29/573,640**

(22) Filed: **Aug. 8, 2016**

(51) **LOC (10) Cl.** **26-03**

(52) **U.S. Cl.**
USPC **D26/106**

(58) **Field of Classification Search**
USPC D26/24, 93, 94, 102, 104, 106, 118
CPC .. G09F 13/26; F21S 6/00; F21S 6/002; F21V 21/02; F21W 2121/00
See application file for complete search history.

(56) **References Cited**

U.S. PATENT DOCUMENTS

- 1,977,575 A * 10/1934 Drake G09F 13/26
362/216
- D242,820 S * 12/1976 Parrella D26/104

- D353,907 S * 12/1994 Doria D26/106
- D359,377 S * 6/1995 Barnes D26/106
- D412,593 S * 8/1999 Lin D26/106
- D414,480 S * 9/1999 Brian D26/24
- D759,885 S * 6/2016 Nishimoto D26/118
- D767,812 S * 9/2016 Skira D26/106

* cited by examiner

Primary Examiner — Brian N. Vinson

(74) *Attorney, Agent, or Firm* — Eric B Alspaugh, APC

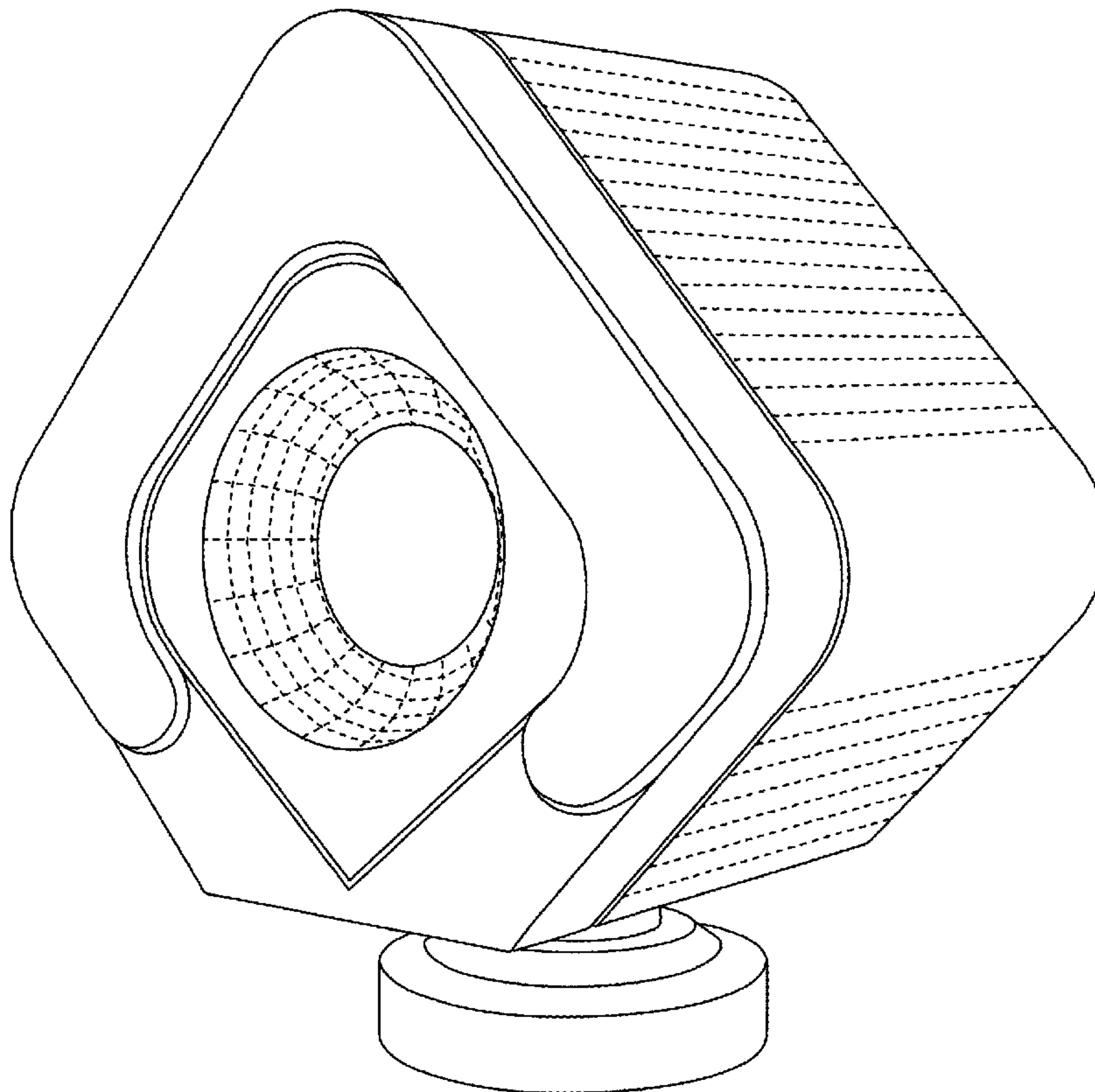
(57) **CLAIM**

The ornamental design for a light, as shown and described.

DESCRIPTION

FIG. 1 is a front elevational view of a light showing our new design;
 FIG. 2 is a rear elevational view thereof;
 FIG. 3 is a right side elevational view thereof;
 FIG. 4 is a left side elevational view thereof;
 FIG. 5 is a top plan view thereof;
 FIG. 6 is a bottom plan view thereof; and,
 FIG. 7 is a front and right side perspective view thereof.
 The broken line disclosure represents portions of the light which form no part of the claimed design.

1 Claim, 7 Drawing Sheets



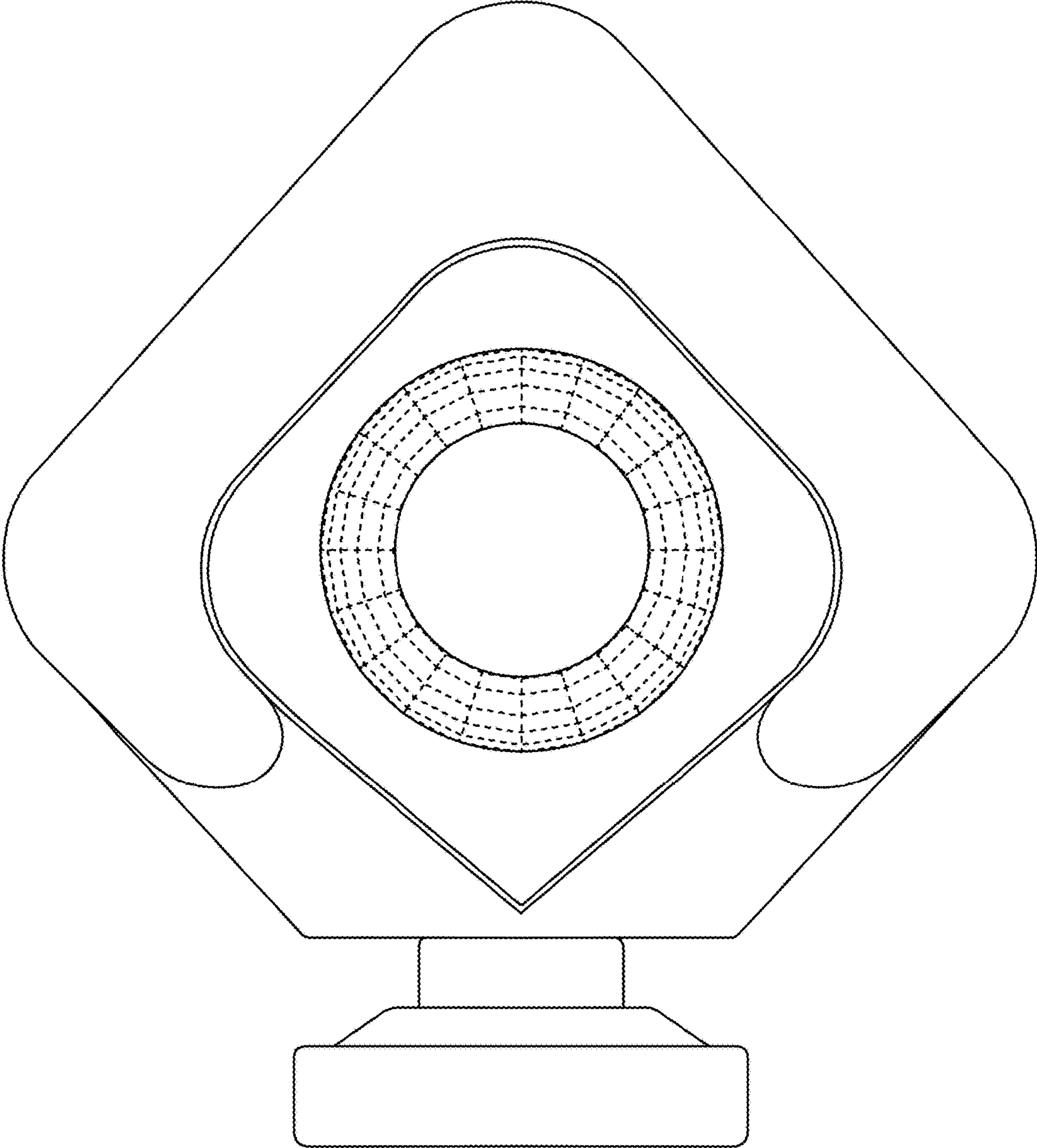


Fig. 1

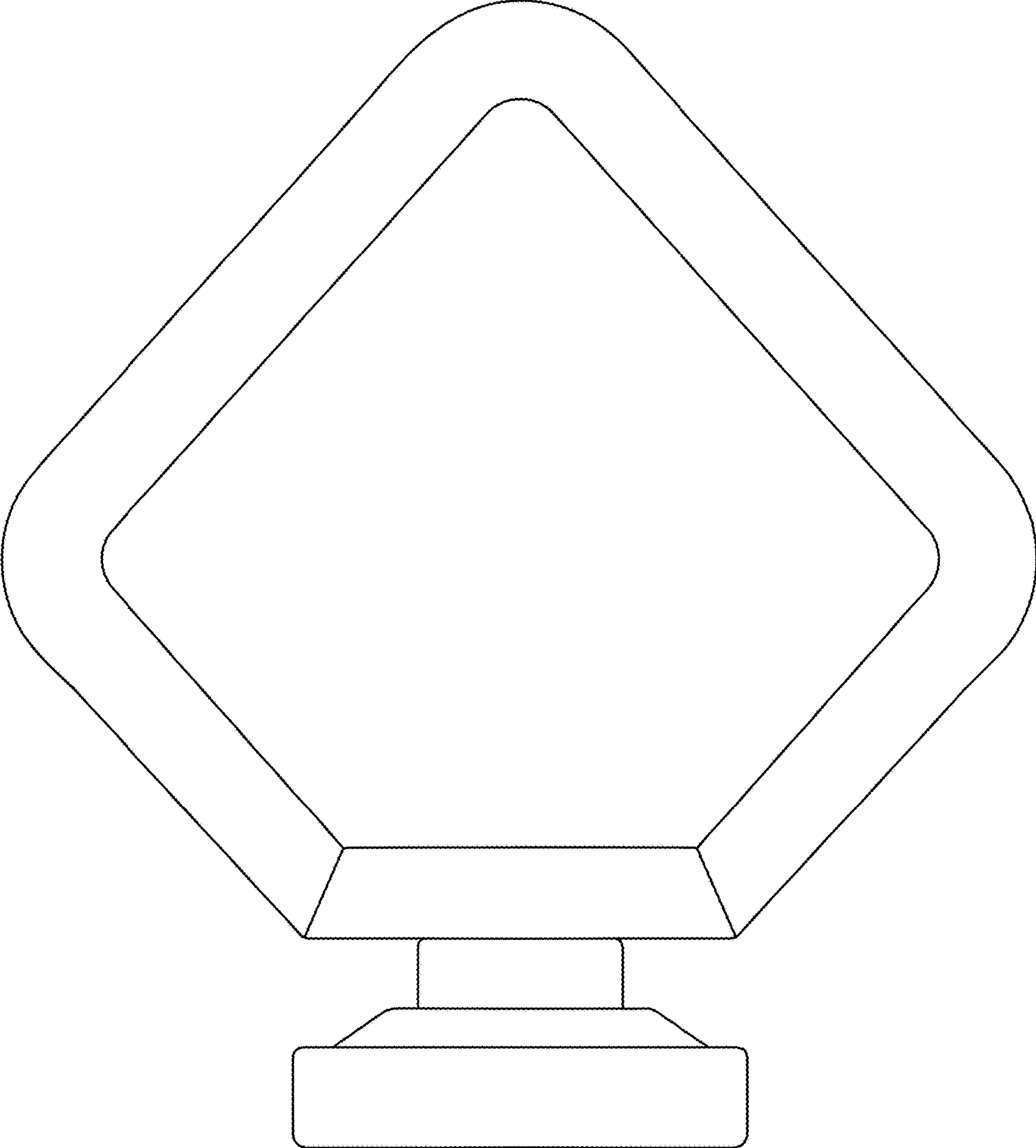


Fig. 2

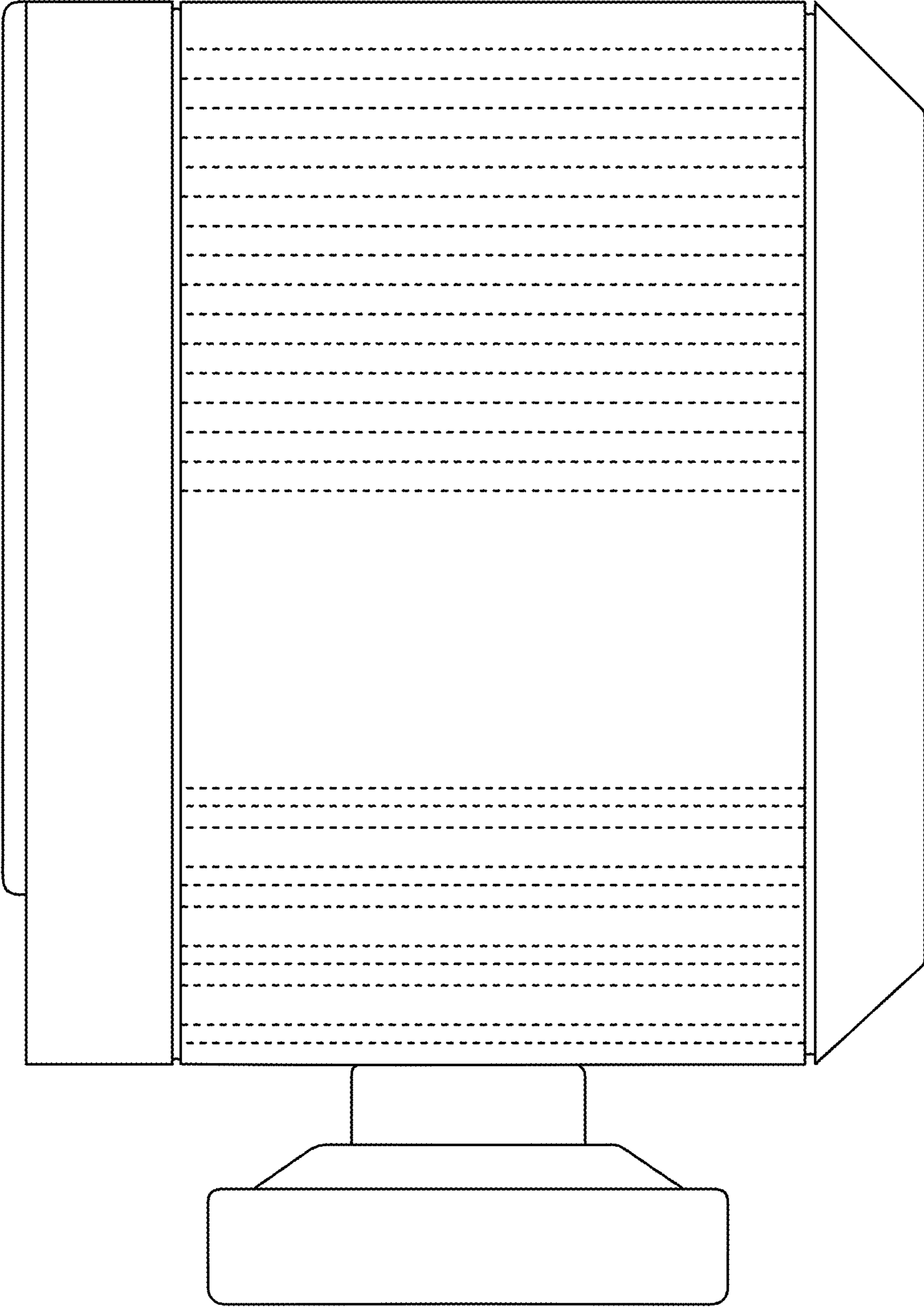


Fig. 3

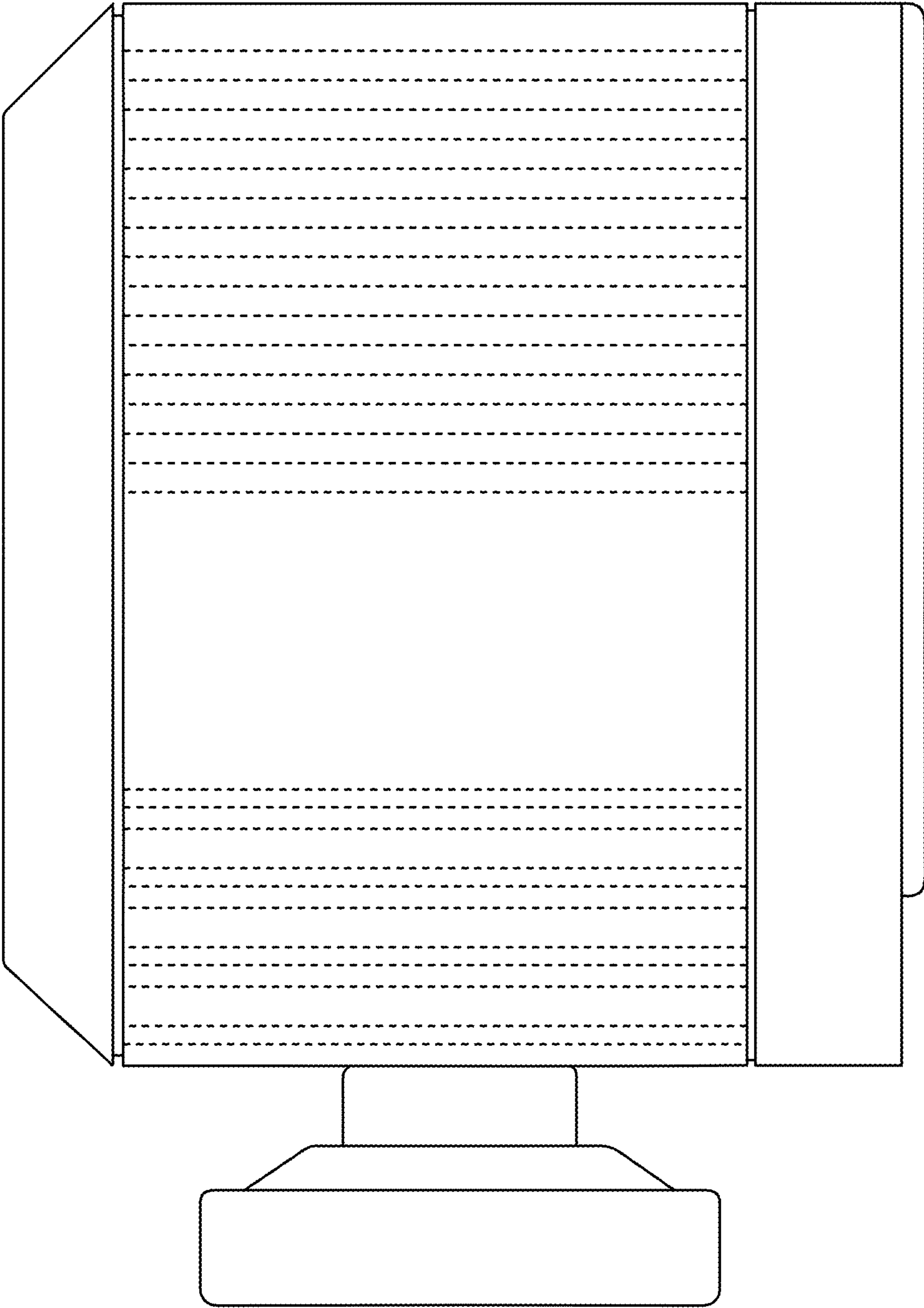


Fig. 4

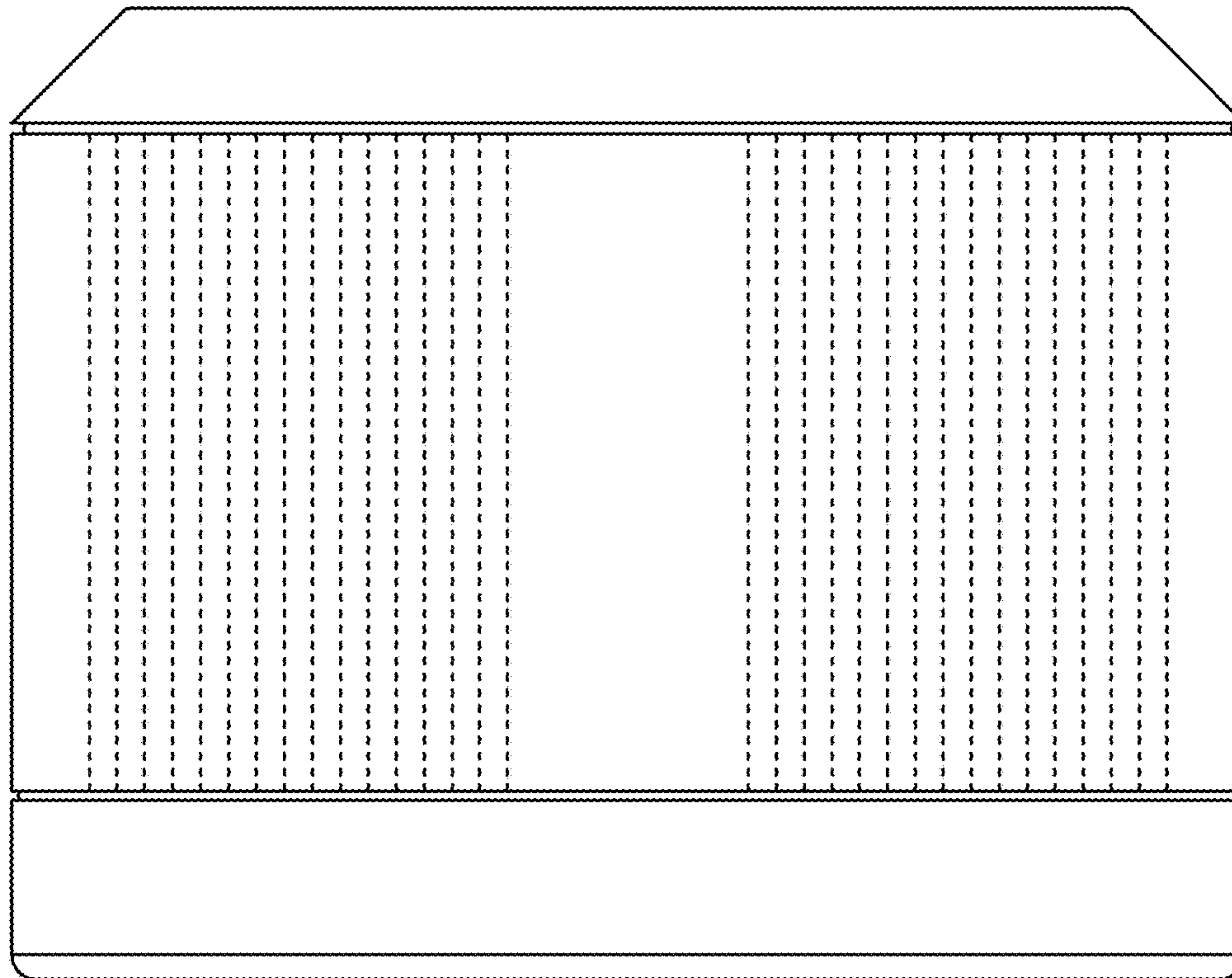


Fig. 5

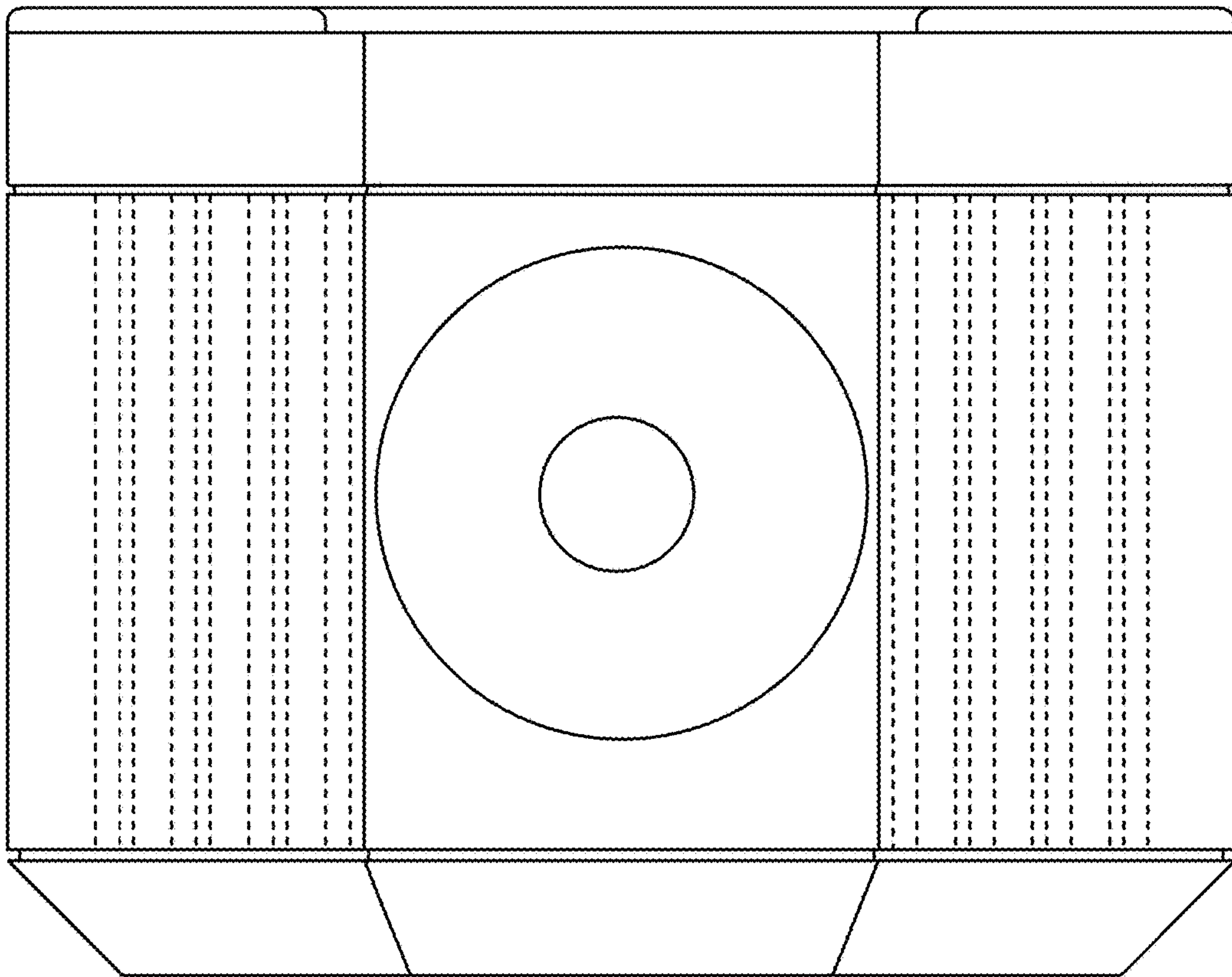


Fig. 6

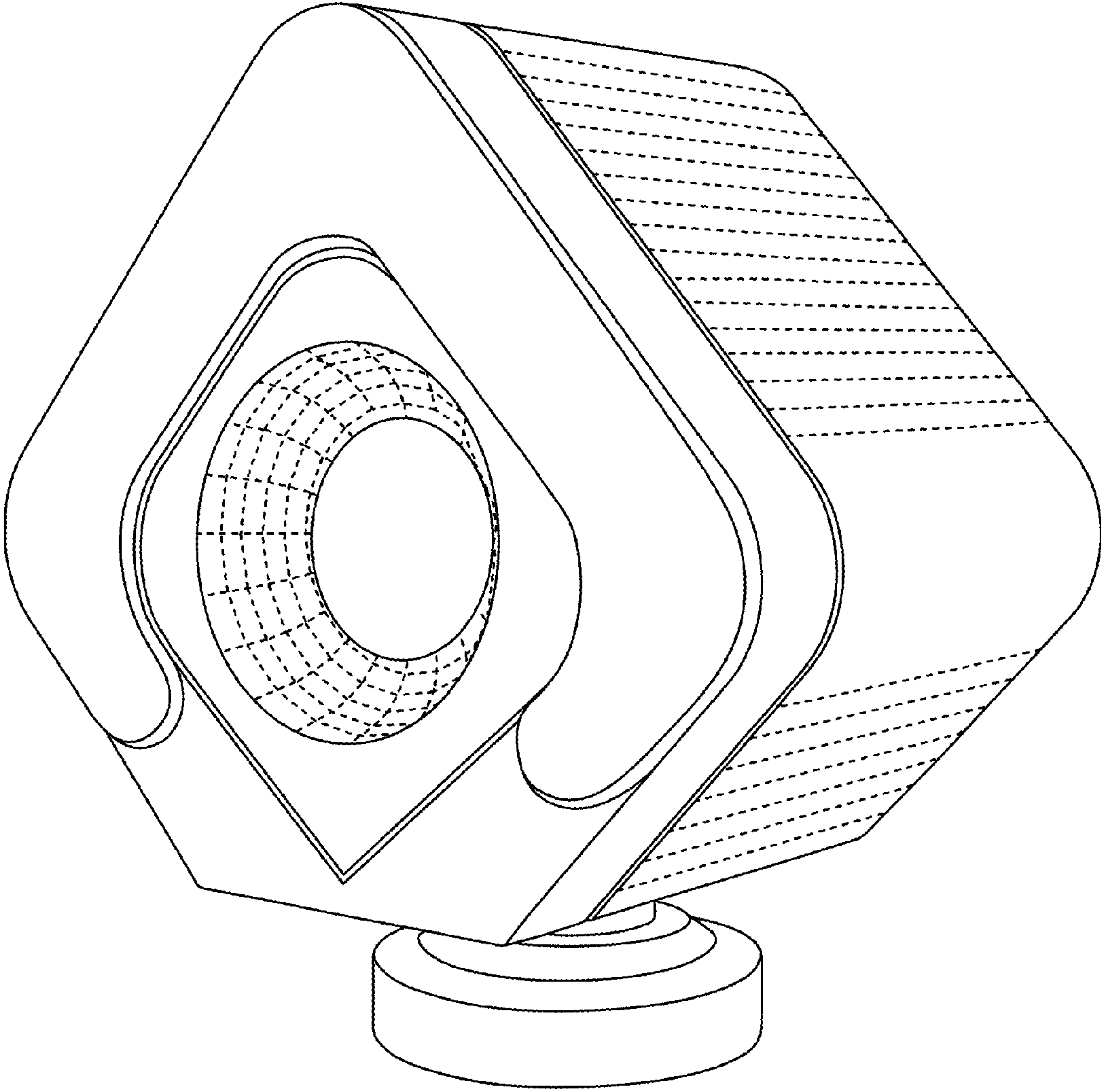


Fig. 7