



US00D805674S

(12) **United States Design Patent**  
**Salomon**

(10) **Patent No.:** **US D805,674 S**

(45) **Date of Patent:** **\*\* \*Dec. 19, 2017**

(54) **LIGHTING FIXTURE**

(71) Applicant: **SPECIALITY LIGHTING INDUSTRIES, INC.**, Ocean, NJ (US)

(72) Inventor: **Benjamin Salomon**, Elberon, NJ (US)

(73) Assignee: **Specialty Lighting Industries, Inc.**, Ocean, NJ (US)

(\*) Notice: This patent is subject to a terminal disclaimer.

(\*\*) Term: **15 Years**

(21) Appl. No.: **29/557,380**

(22) Filed: **Mar. 8, 2016**

(51) **LOC (10) Cl.** ..... **26-05**

(52) **U.S. Cl.**  
USPC ..... **D26/74**

(58) **Field of Classification Search**  
USPC ..... D14/447, 432, 434, 439, 440, 451, 452,  
D14/457, 239; D12/415; D6/406.3,  
D6/406.4, 406.5, 406.6; D8/363, 373,  
D8/380  
CPC ..... A47B 21/04; A47B 2097/006; A47B  
2097/005; A47B 2023/049; A45C  
2011/002; A45C 2011/003; F16M  
2200/00; F16M 13/00  
See application file for complete search history.

(56) **References Cited**

**U.S. PATENT DOCUMENTS**

D678,387 S \* 3/2013 Stump ..... D16/244  
D692,899 S \* 11/2013 Bremenkamp ..... D14/447

D707,672 S \* 6/2014 Lai ..... D14/253  
D715,791 S \* 10/2014 Yu ..... D14/253  
D730,887 S \* 6/2015 Lindemann ..... D14/253  
D749,081 S \* 2/2016 Serfoss ..... D14/447  
D766,230 S \* 9/2016 Shepard ..... D14/253  
D779,579 S \* 2/2017 Anari, III ..... D16/242  
D779,580 S \* 2/2017 Jia ..... D16/237  
D780,247 S \* 2/2017 Anari, III ..... D16/242  
D780,248 S \* 2/2017 Anari, III ..... D16/242  
2006/0257137 A1 \* 11/2006 Fromm ..... F16M 11/18  
396/420  
2008/0117328 A1 \* 5/2008 Daoud ..... F16M 11/10  
348/373

\* cited by examiner

*Primary Examiner* — Angela J Lee

(74) *Attorney, Agent, or Firm* — Jeffrey J. Brosemer

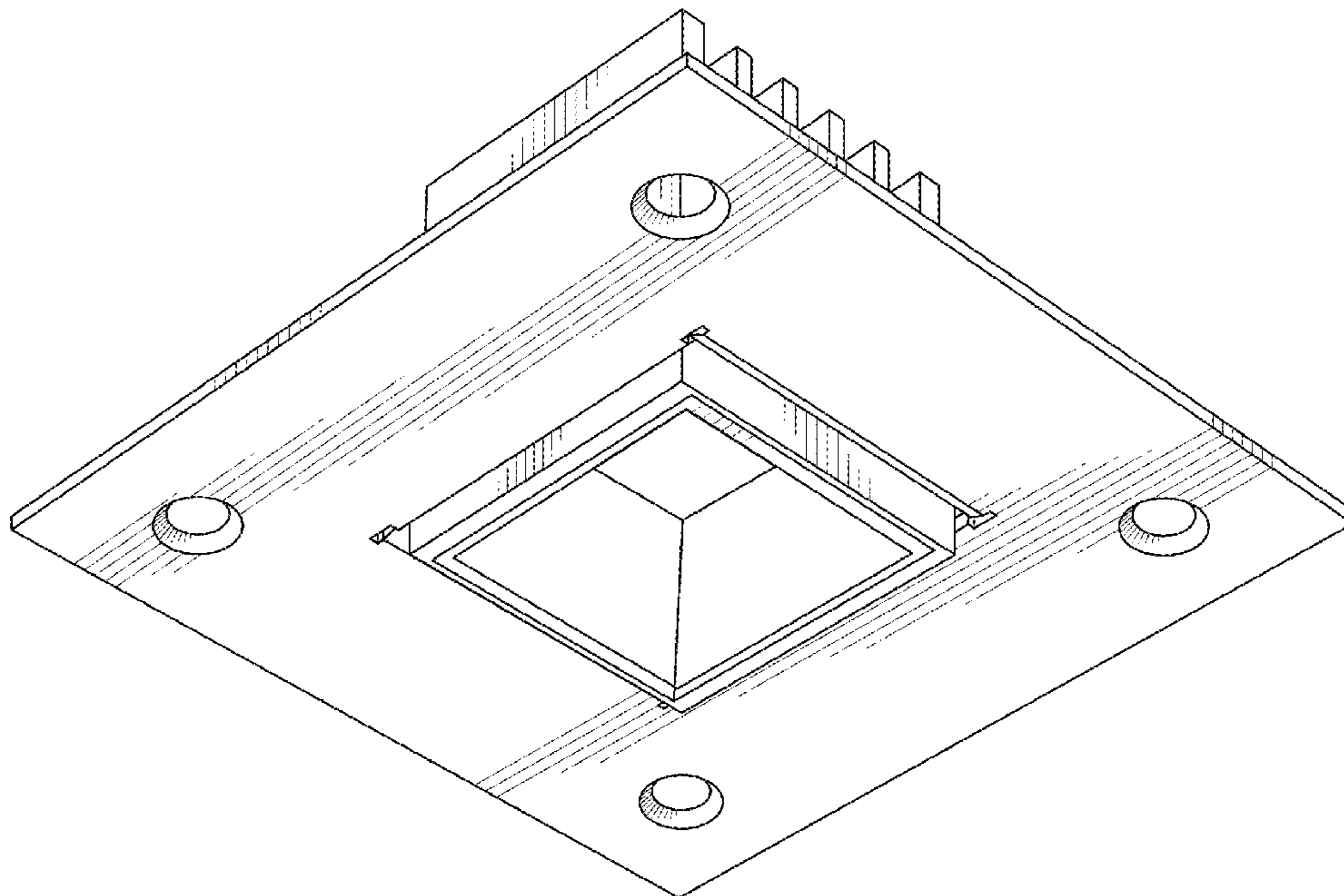
(57) **CLAIM**

The ornamental design for a lighting fixture, as shown and described.

**DESCRIPTION**

FIG. 1 is a perspective view of a lighting fixture showing my new design;  
FIG. 2 is a front side view thereof, the back side view being identical thereto;  
FIG. 3 is a right side view thereof, the left side view being identical thereto;  
FIG. 4 is a top view thereof; and,  
FIG. 5 is a bottom view thereof.

**1 Claim, 4 Drawing Sheets**



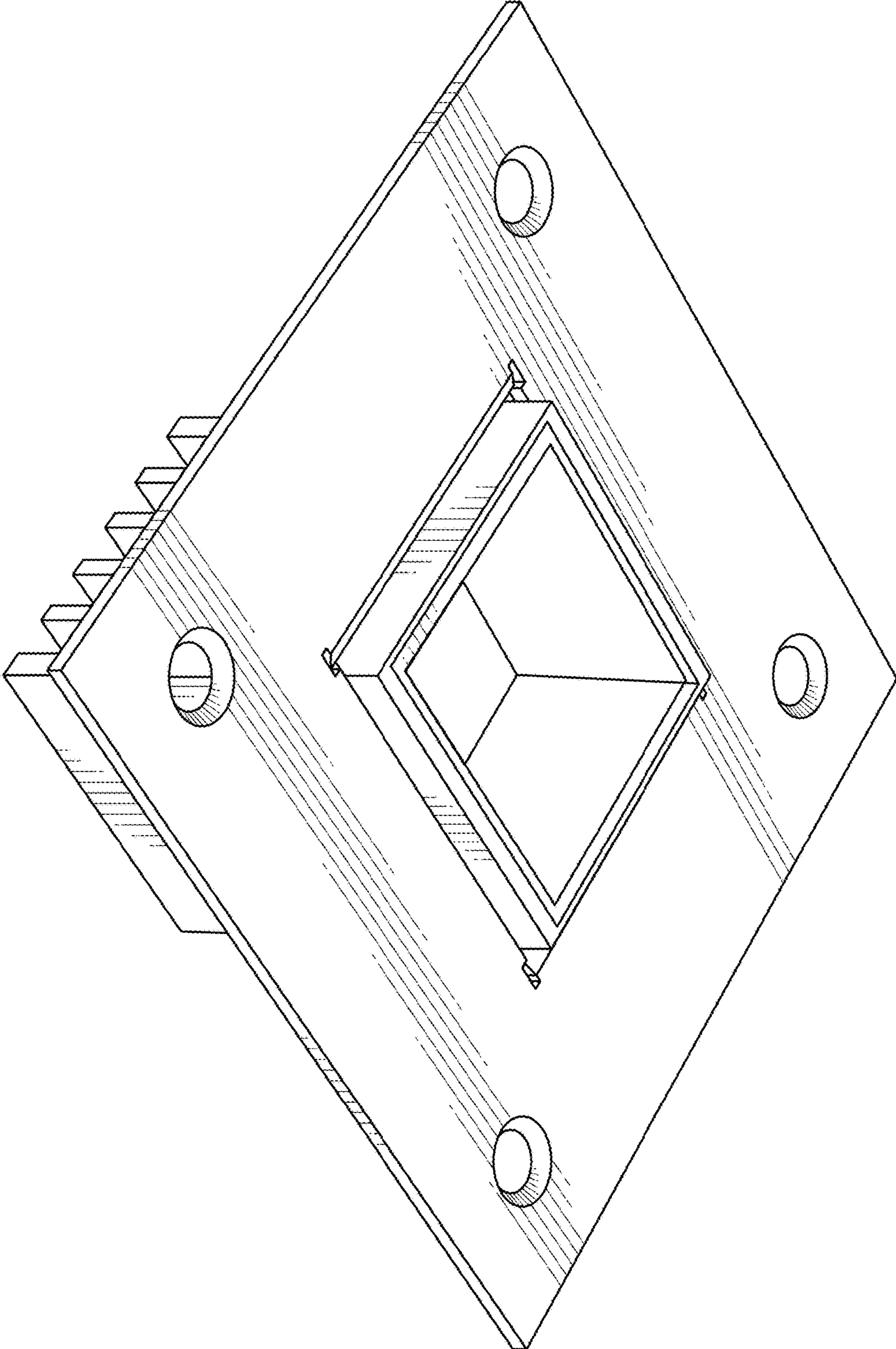


FIG. 1

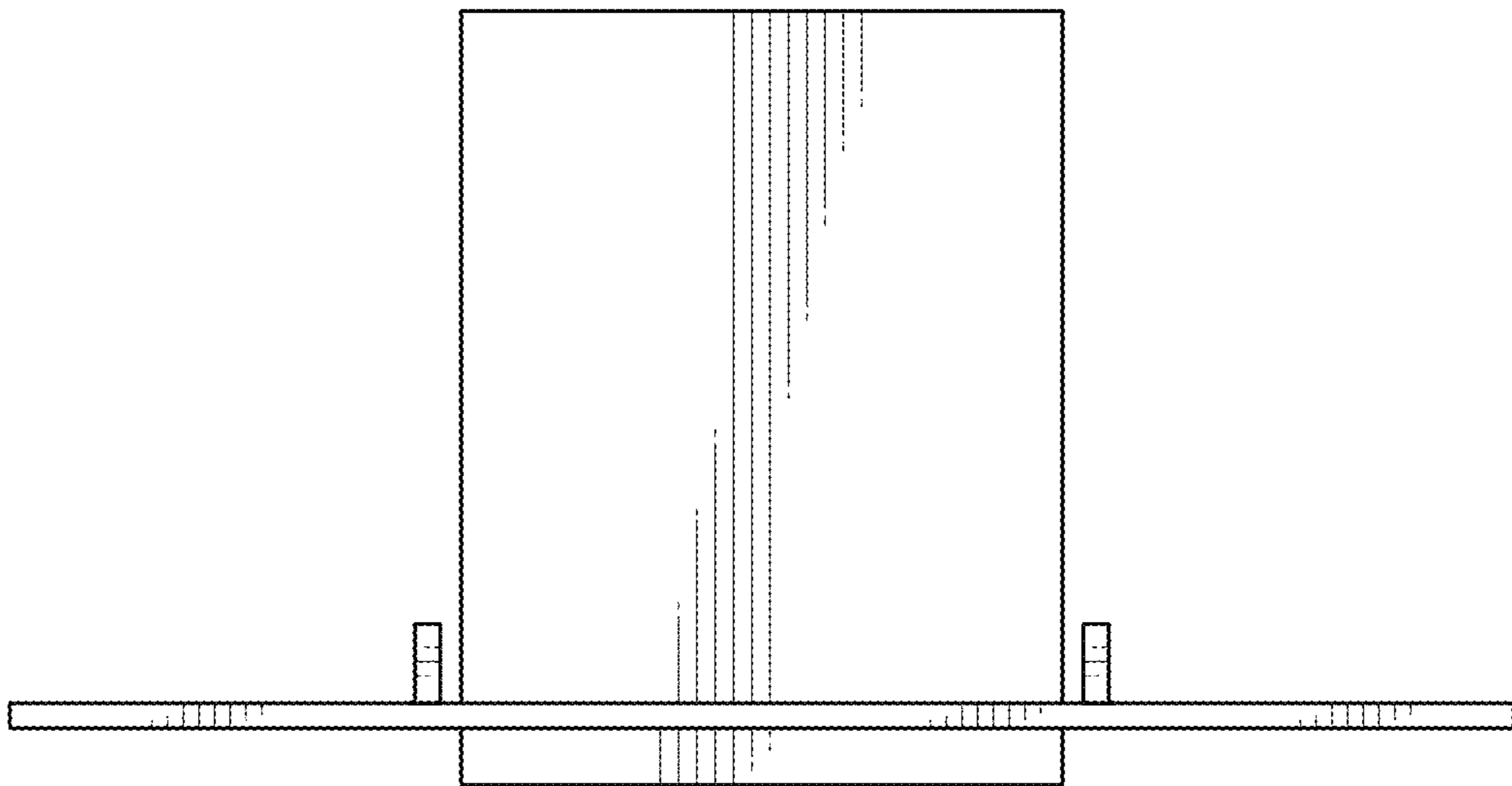


FIG. 2

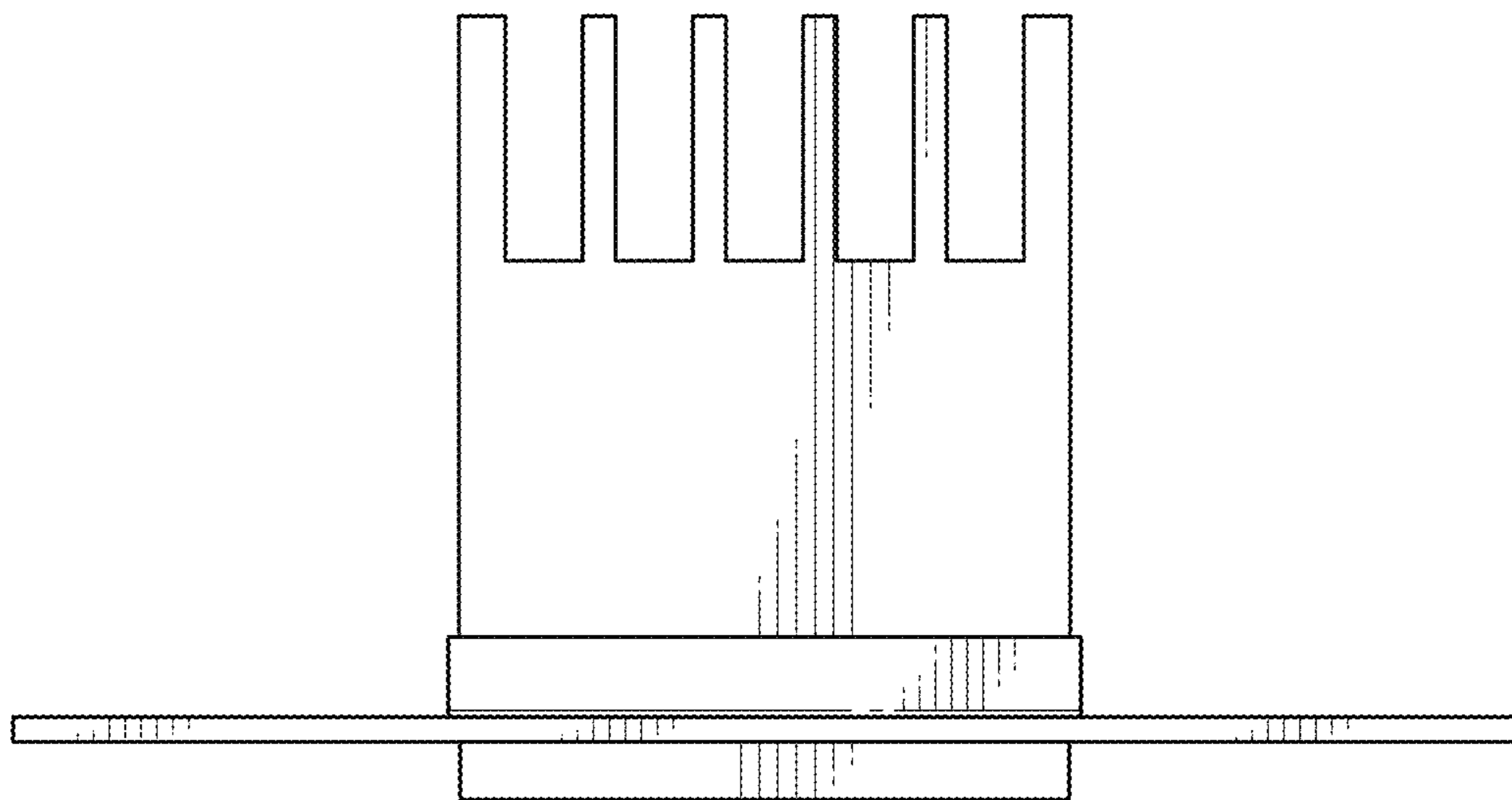


FIG. 3

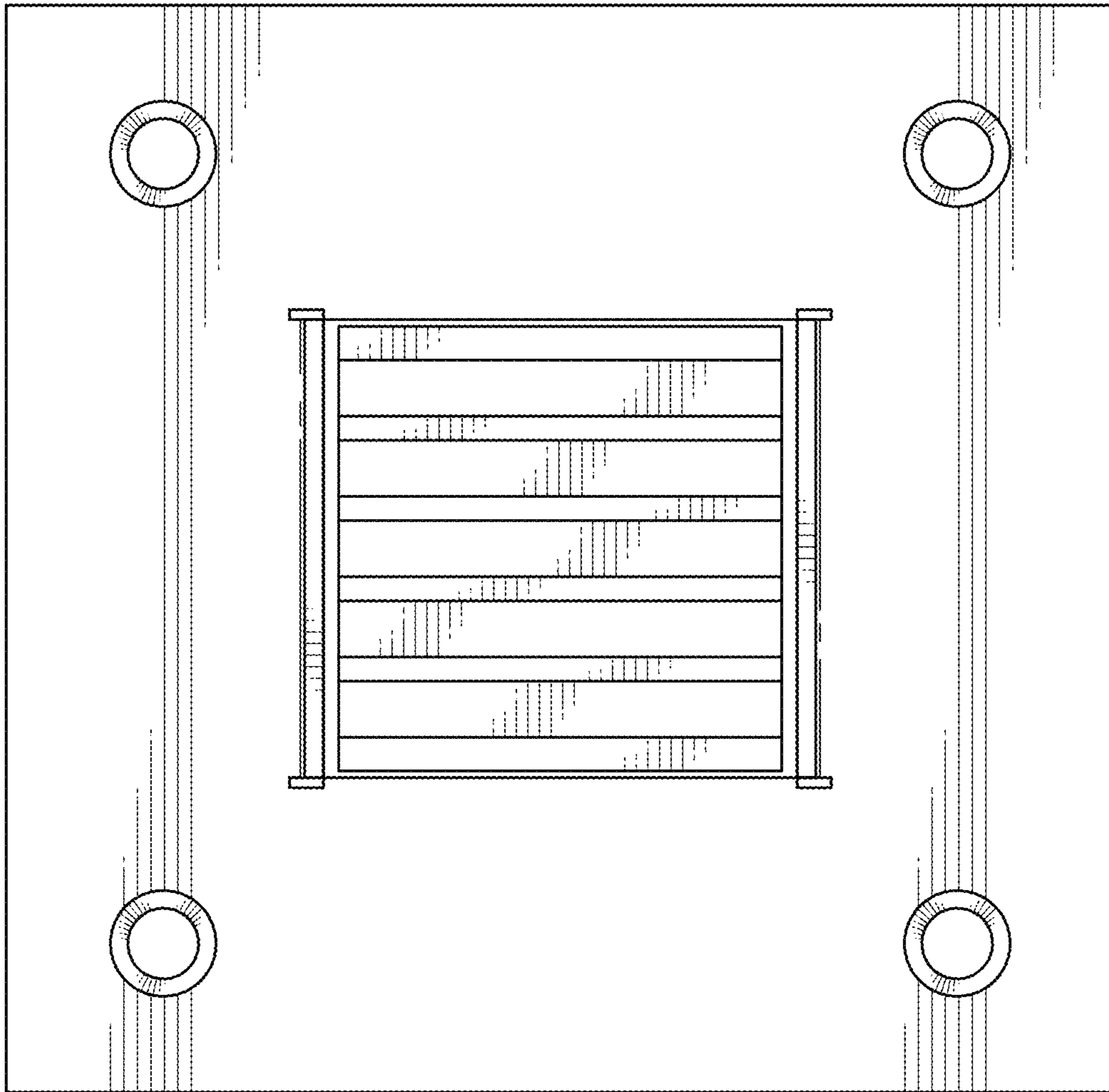


FIG. 4

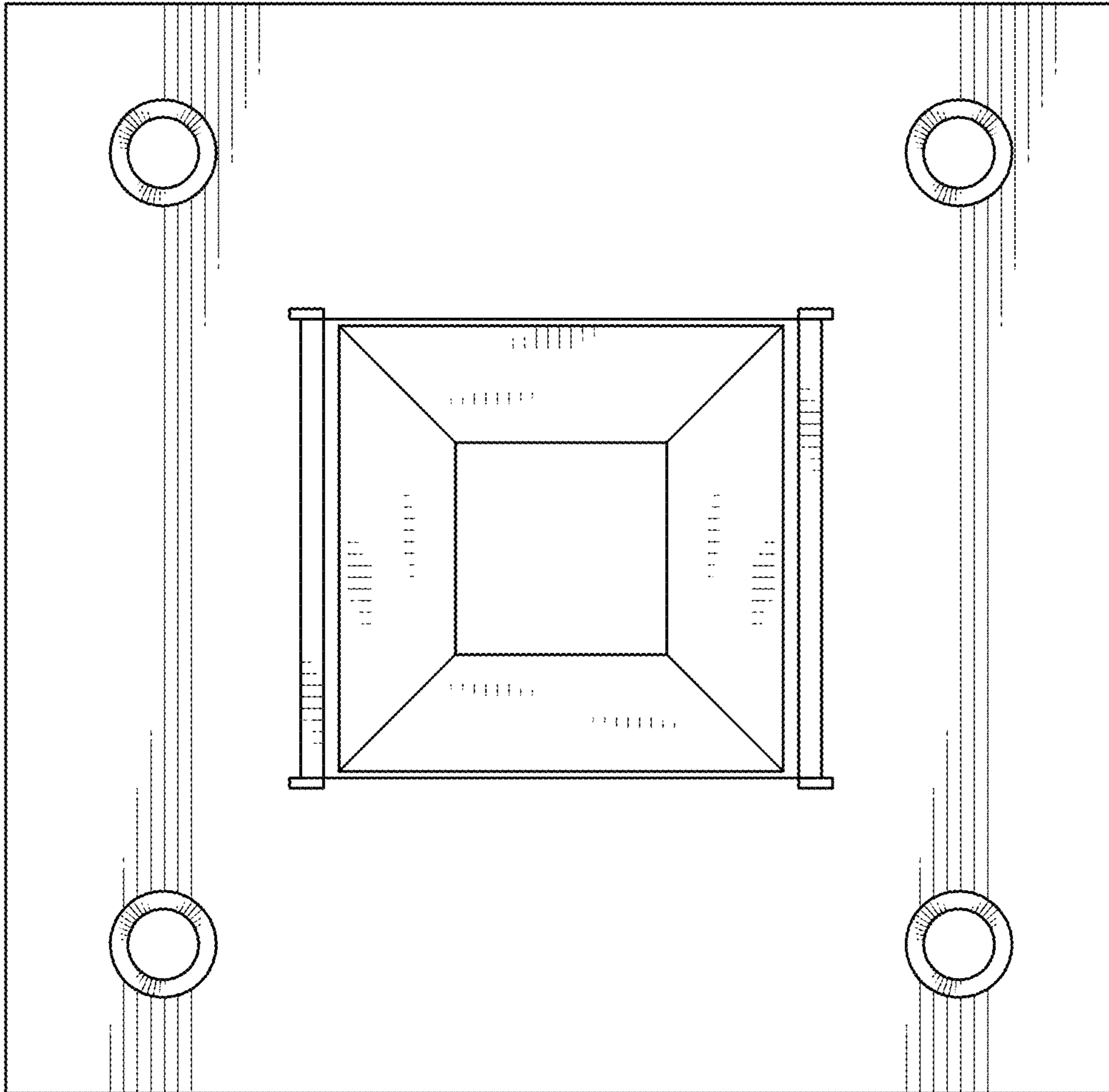


FIG. 5