



US00D805673S

(12) **United States Design Patent**
Dai

(10) **Patent No.:** **US D805,673 S**

(45) **Date of Patent:** **** Dec. 19, 2017**

(54) **WALL MOUNTED SOLAR POWERED FLOOD LIGHT**

(71) Applicant: **Ningbo Weitao Electrical Appliance Co., Ltd.**, Ningbo, Zhejiang (CN)

(72) Inventor: **Jiangang Dai**, Zhejiang (CN)

(73) Assignee: **Ningbo Weitao Electrical Appliance Co., Ltd.**, Ningbo (CN)

(**) Term: **15 Years**

(21) Appl. No.: **29/588,626**

(22) Filed: **Dec. 21, 2016**

(51) **LOC (10) Cl.** **26-03**

(52) **U.S. Cl.**
USPC **D26/63**

(58) **Field of Classification Search**
USPC D26/24, 51, 61, 63, 65, 72, 80, 118
CPC F21S 8/04; F21S 8/00; F21V 21/00; F21V 17/02; F21V 14/02; F21V 21/30; F21V 21/14; F21V 21/26; F21W 2131/10
See application file for complete search history.

(56) **References Cited**

U.S. PATENT DOCUMENTS

5,649,761 A * 7/1997 Sandell F21V 17/02
362/276
D628,329 S * 11/2010 Tuli D26/63

D713,582 S * 9/2014 Liang D26/63
D714,481 S * 9/2014 Moeller D26/63
D742,053 S * 10/2015 Sussman D26/63
D745,201 S * 12/2015 Lee D26/63
D762,903 S * 8/2016 Tsai D26/63
D769,498 S * 10/2016 Liang D26/61

* cited by examiner

Primary Examiner — Brian N. Vinson

(57) **CLAIM**

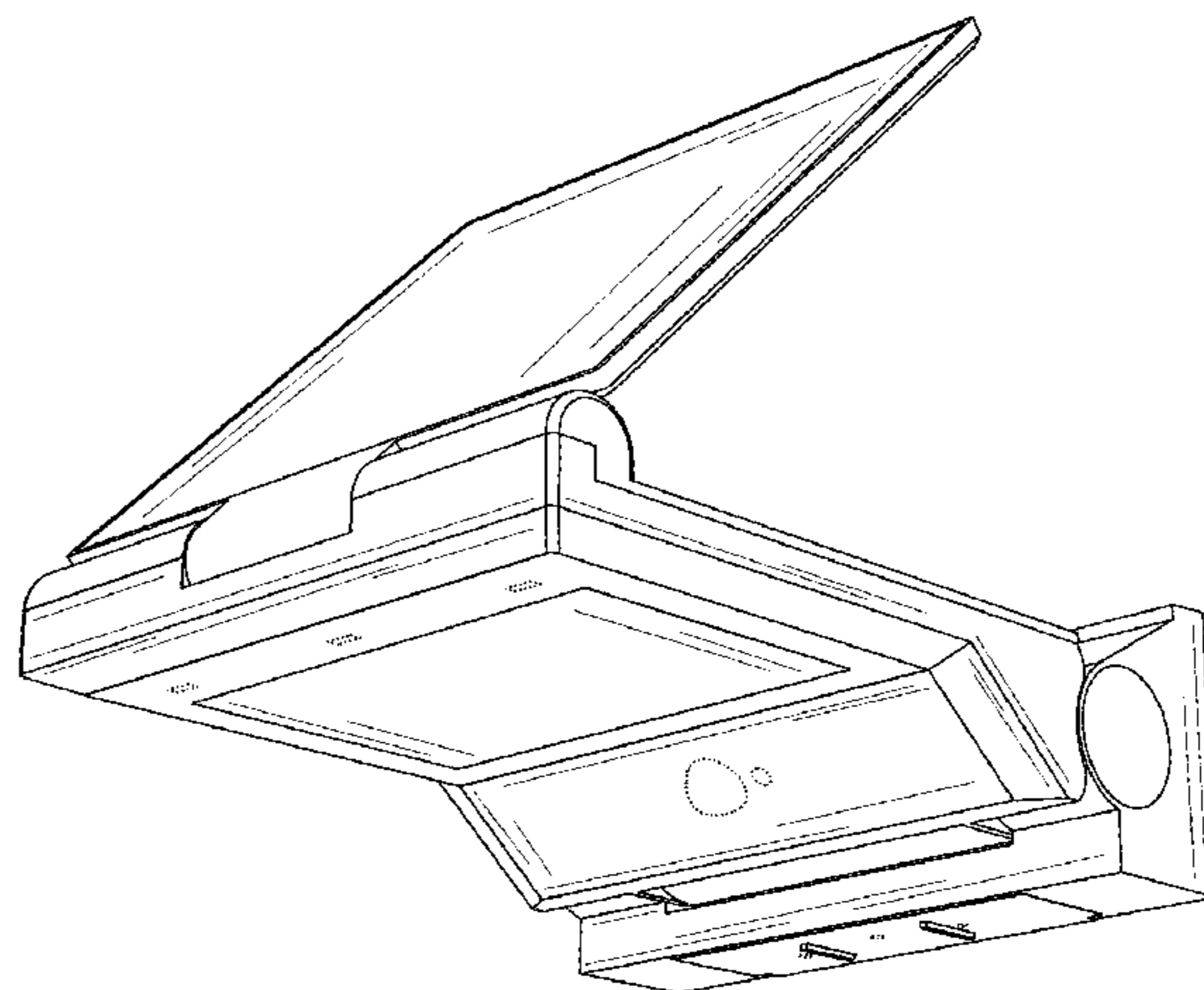
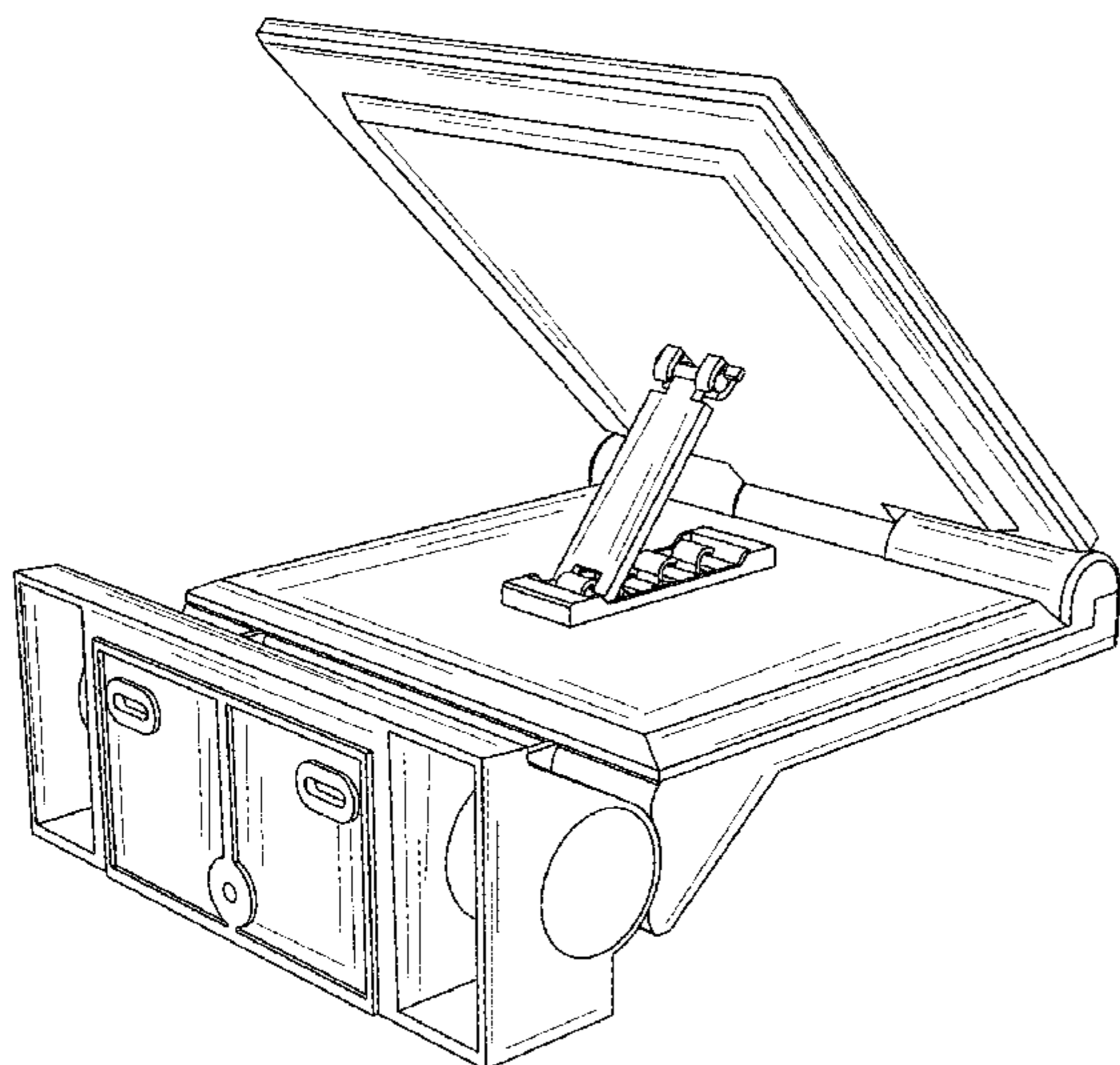
The ornamental design for a wall mounted solar powered flood light, as shown and described.

DESCRIPTION

FIG. 1 is a front elevational view of a wall mounted solar powered flood light showing my new design; FIG. 2 is a rear elevational view thereof; FIG. 3 is a left side view thereof; FIG. 4 is a right side view thereof; FIG. 5 is a top plan view thereof; FIG. 6 is a bottom plan view thereof; FIG. 7 is a first perspective view thereof; FIG. 8 is a second perspective view thereof; FIG. 9 is a third perspective view thereof; FIG. 10 is a fourth perspective view thereof; and, FIG. 11 is a fifth perspective view thereof.

The broken lines in the drawings illustrate portions of the wall mounted solar powered flood light which form no part of the claimed design.

1 Claim, 11 Drawing Sheets



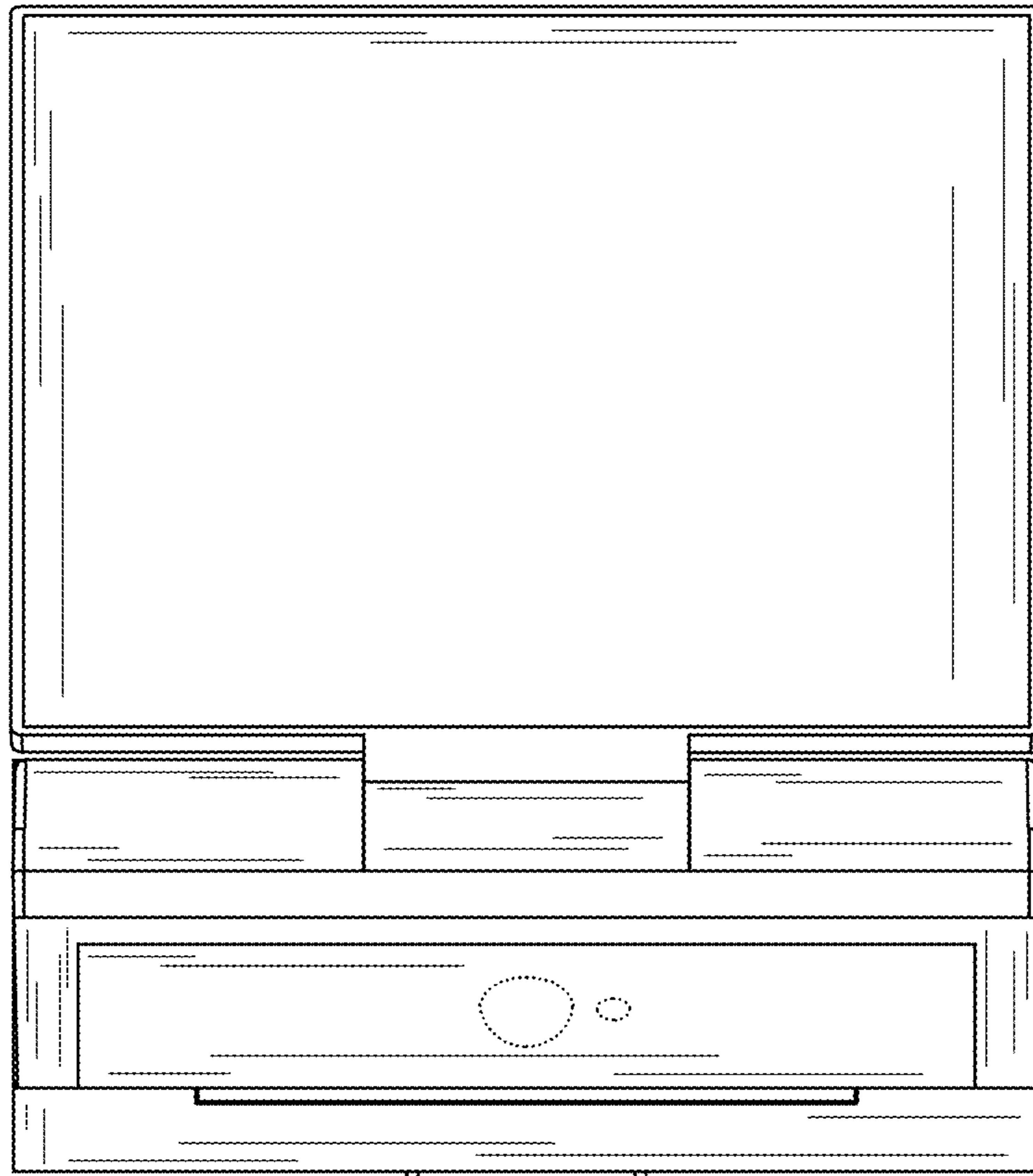


Fig. 1

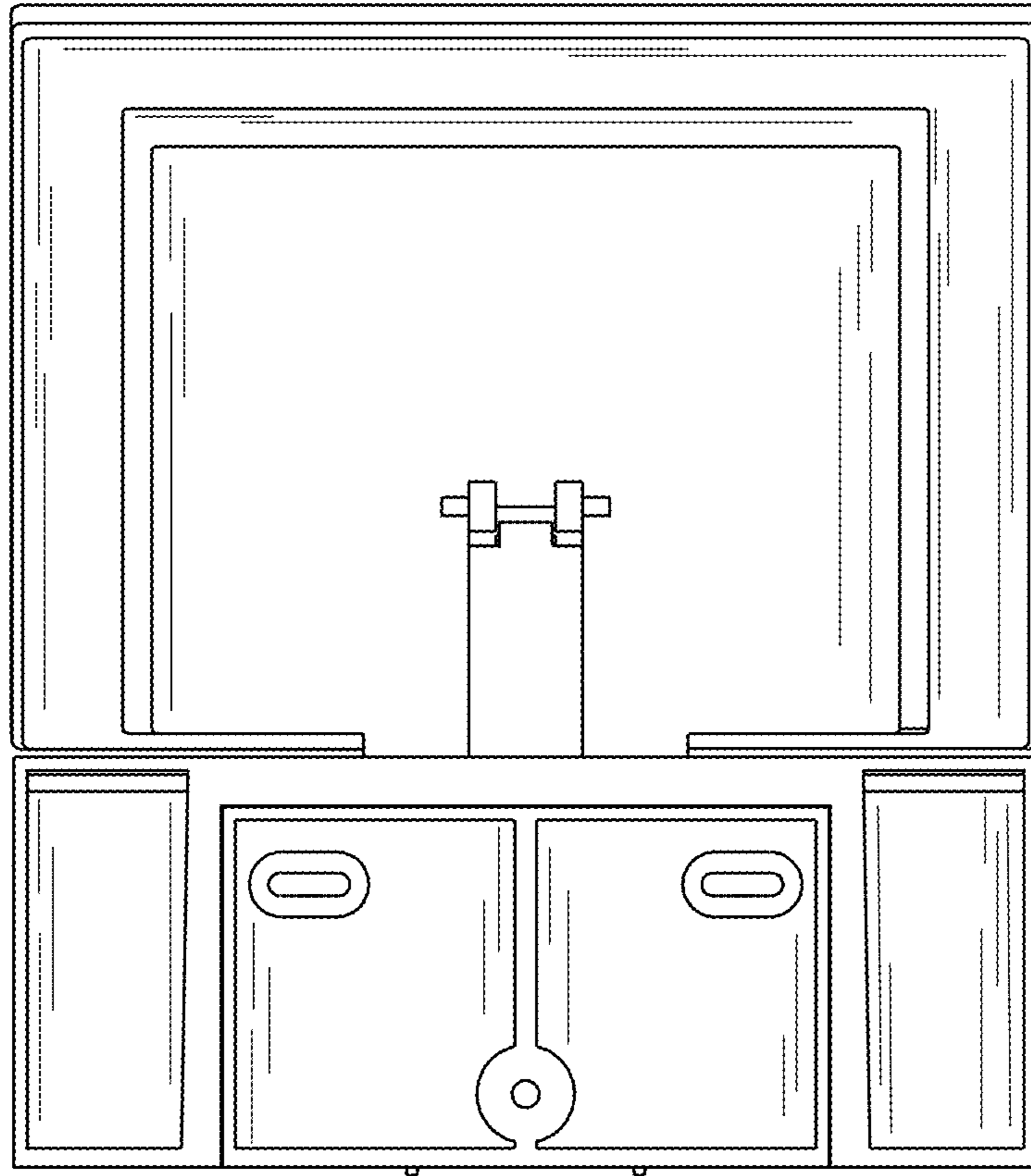


Fig. 2

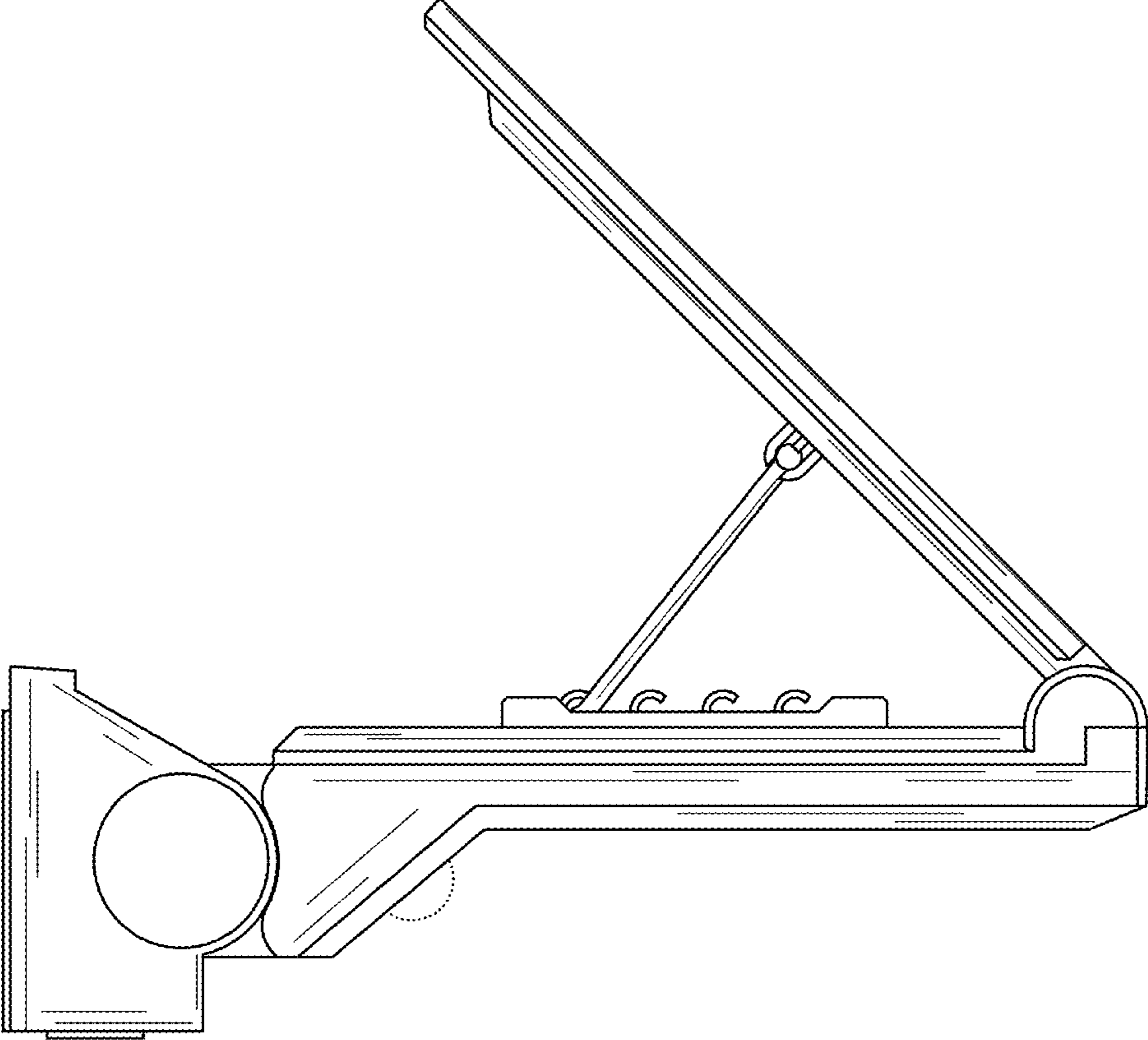


Fig. 3

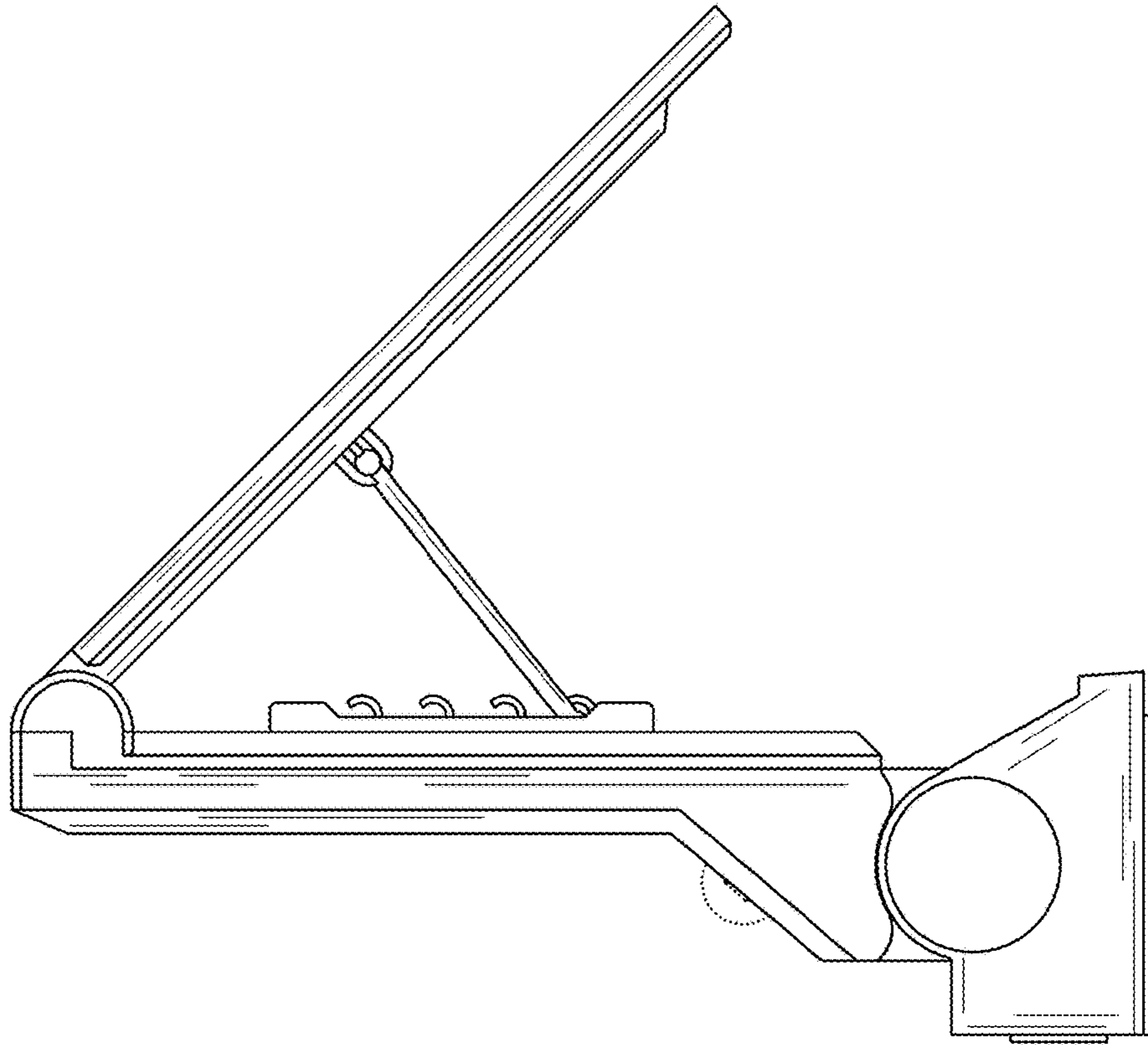


Fig. 4

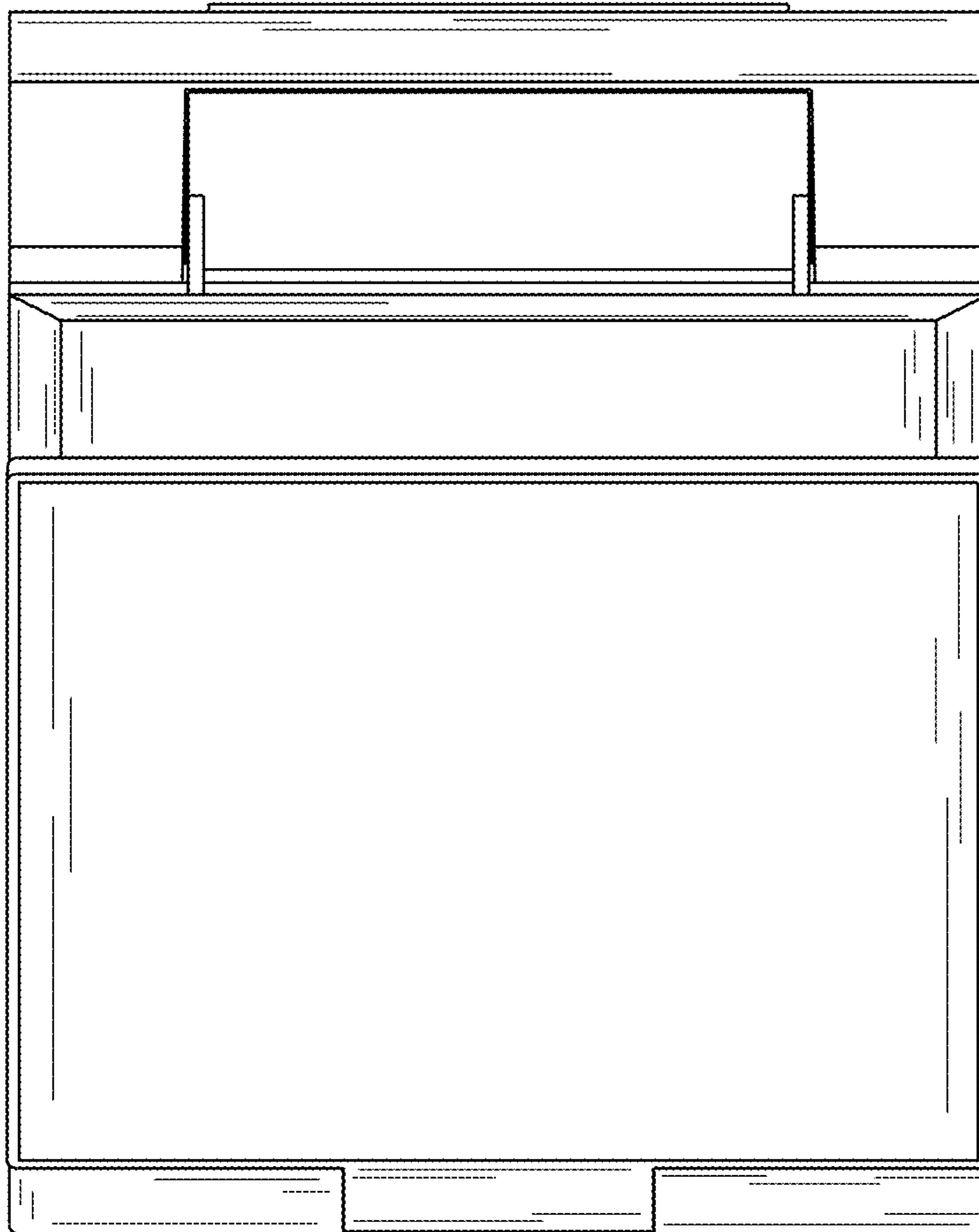


Fig. 5

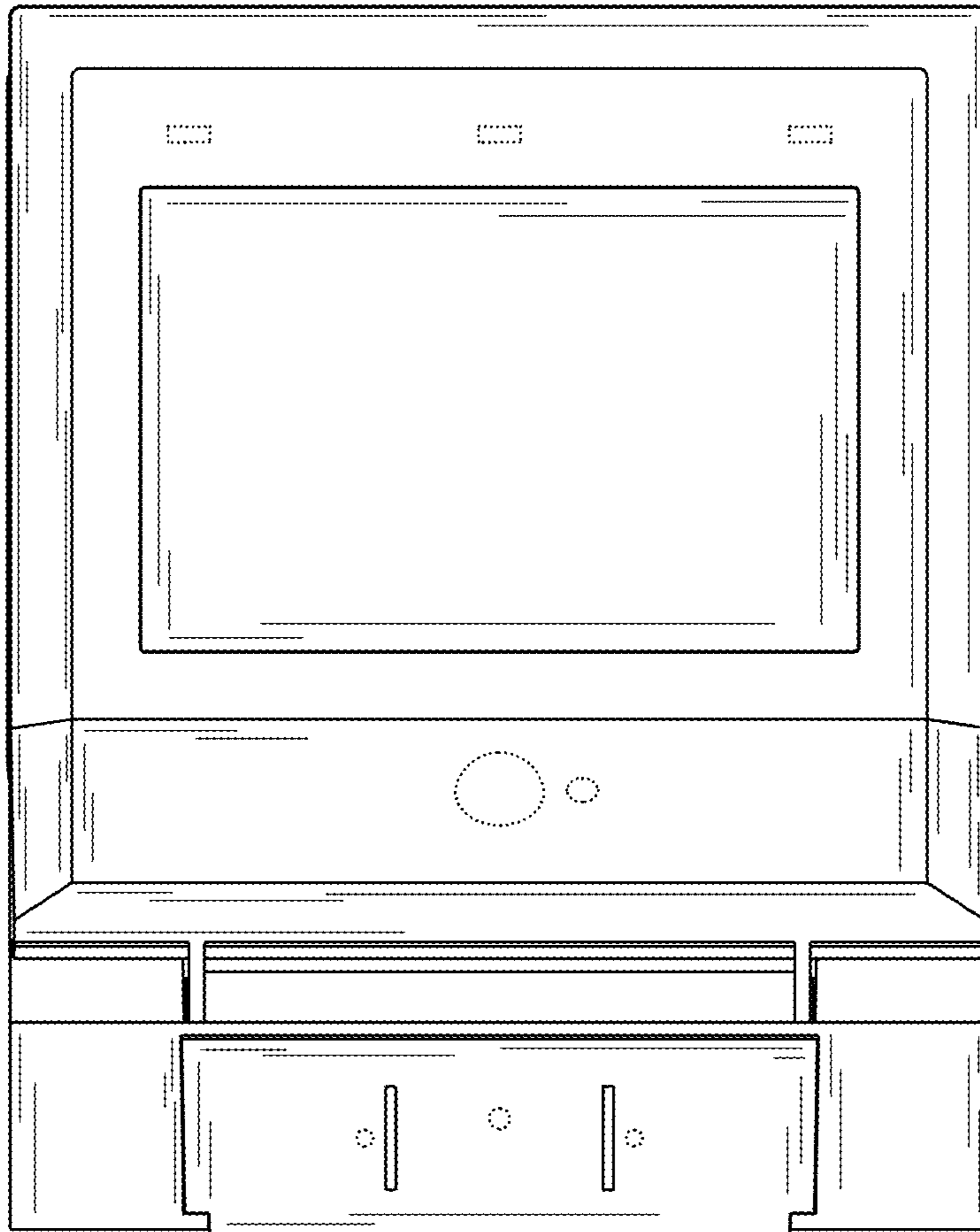


Fig. 6

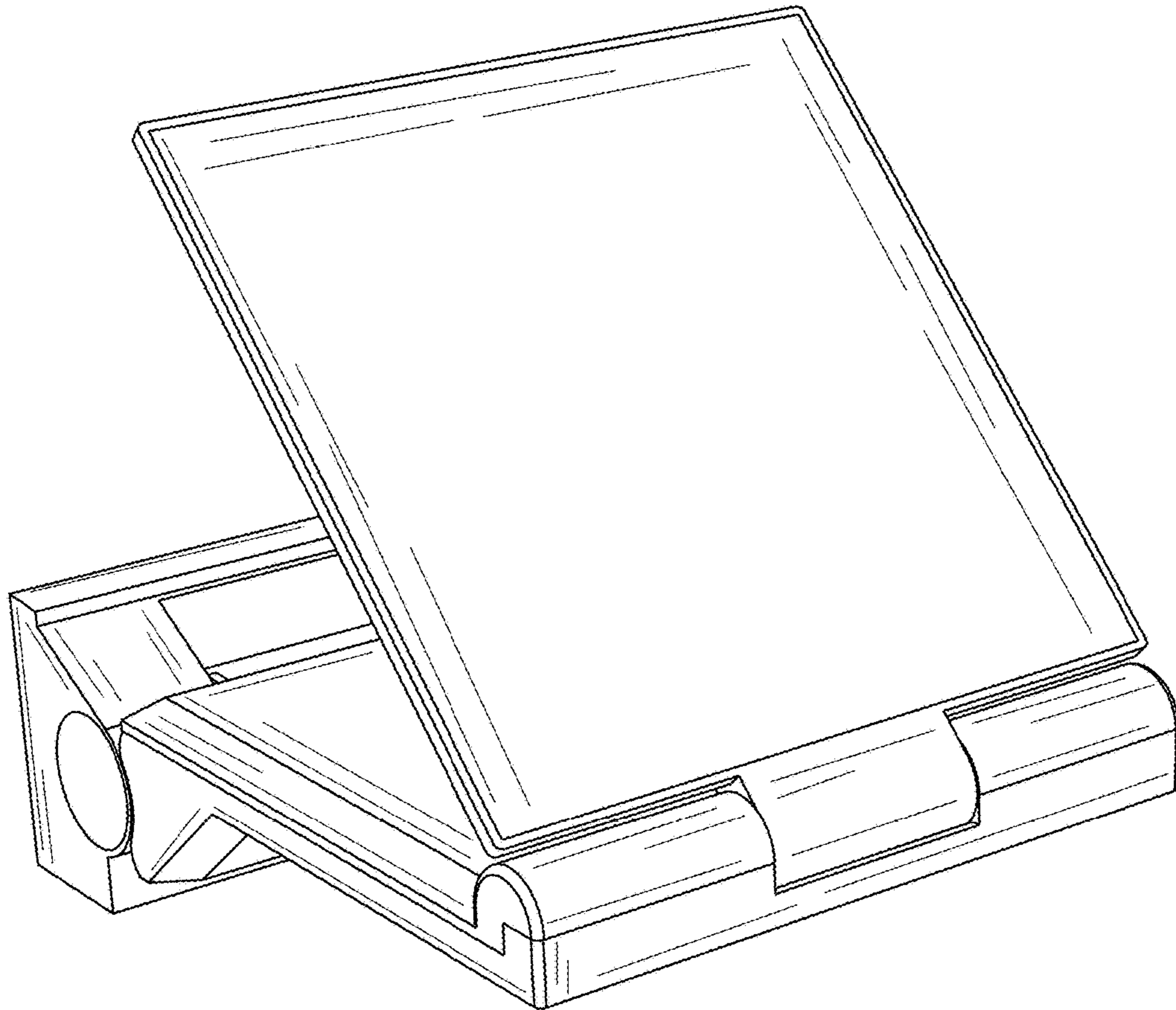


Fig. 7

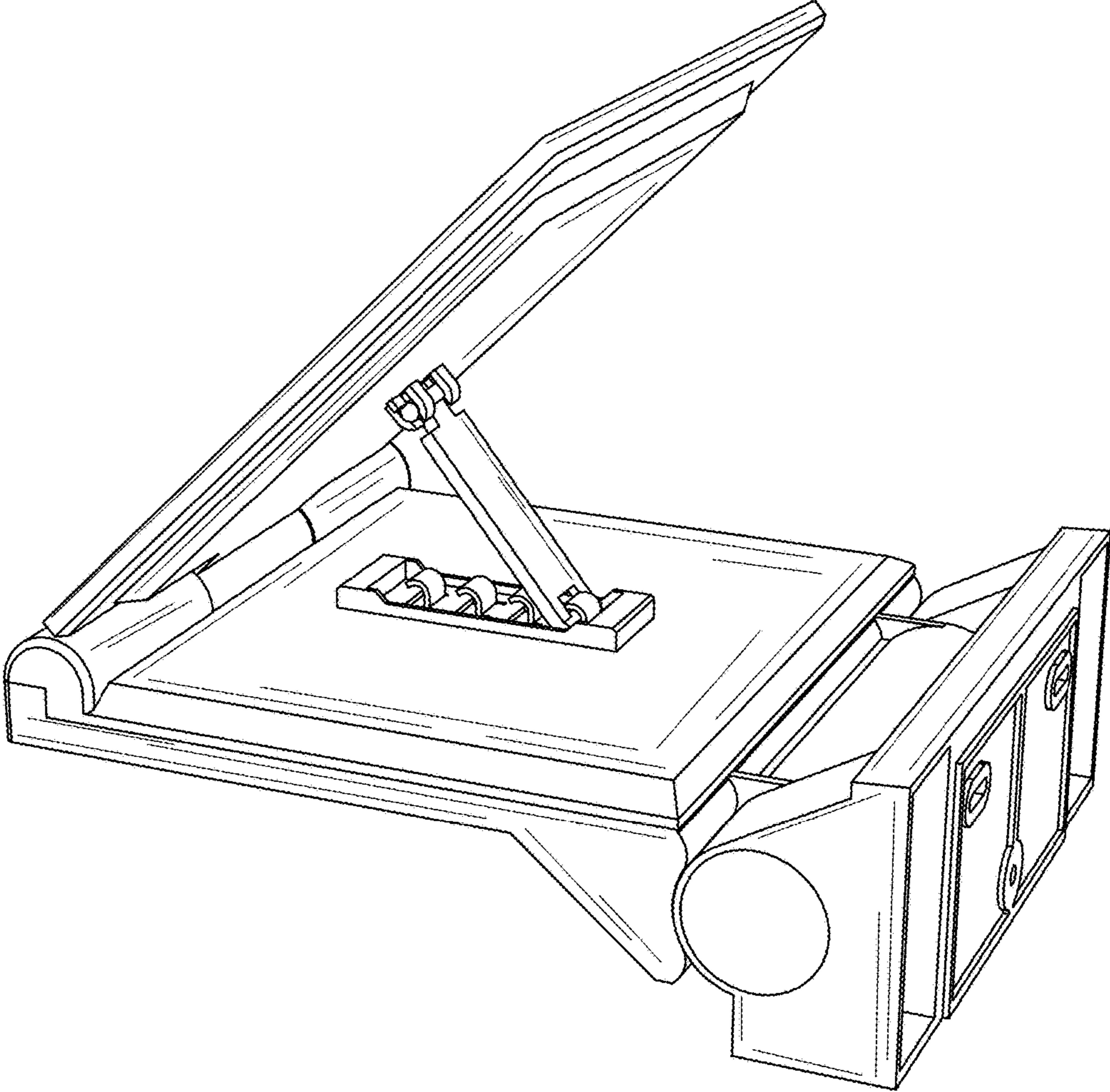


Fig. 8

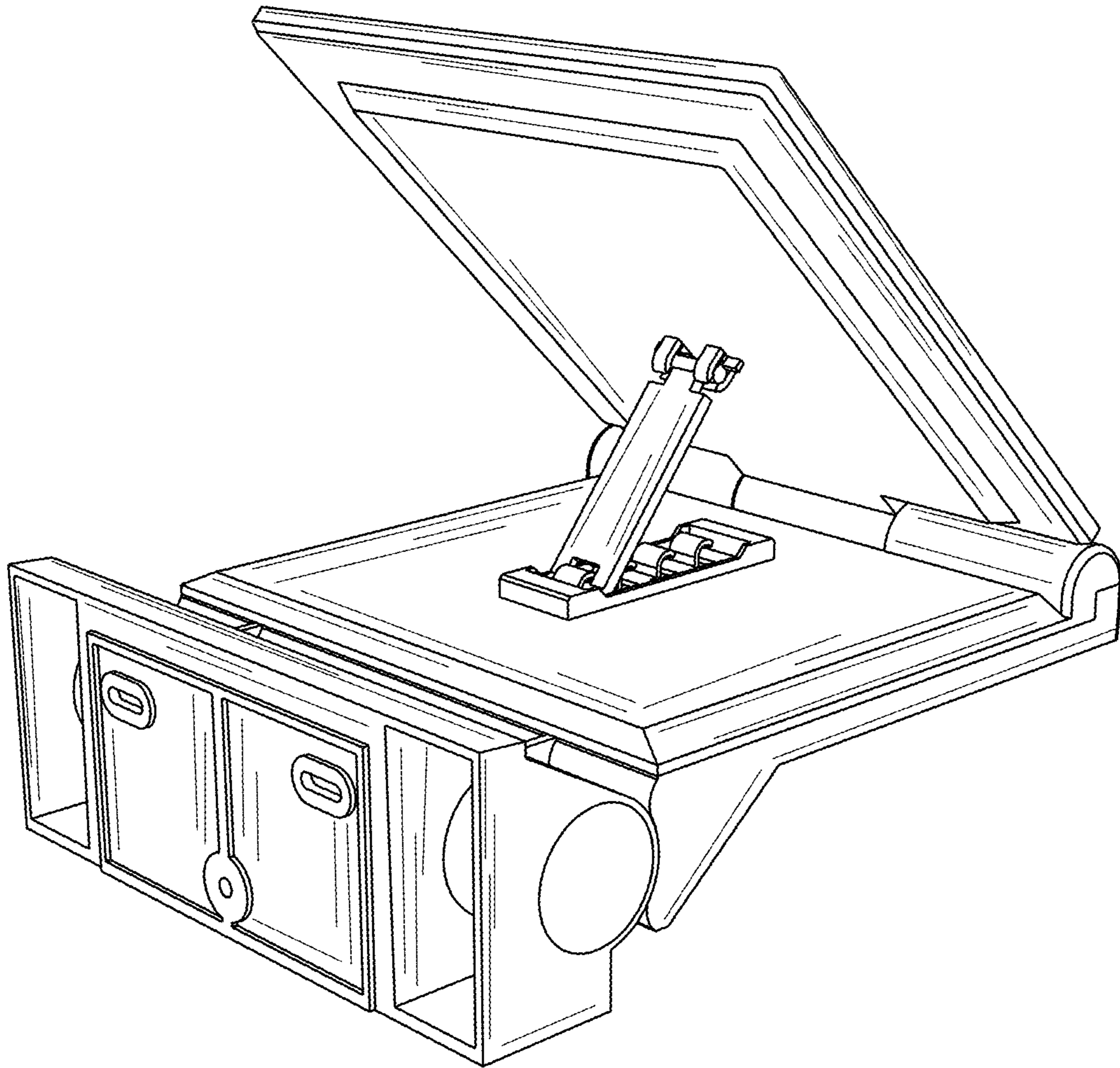


Fig. 9

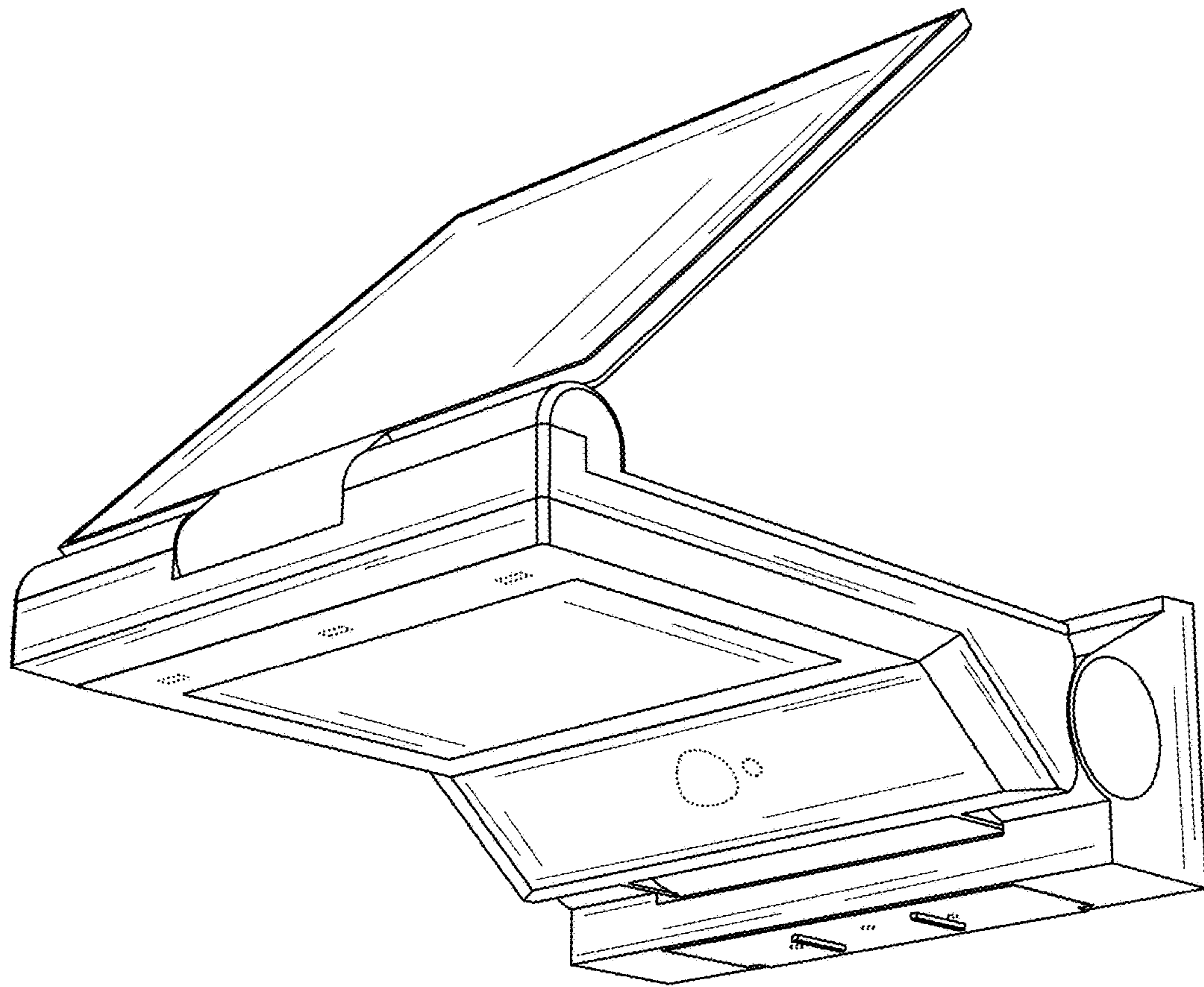


Fig. 10

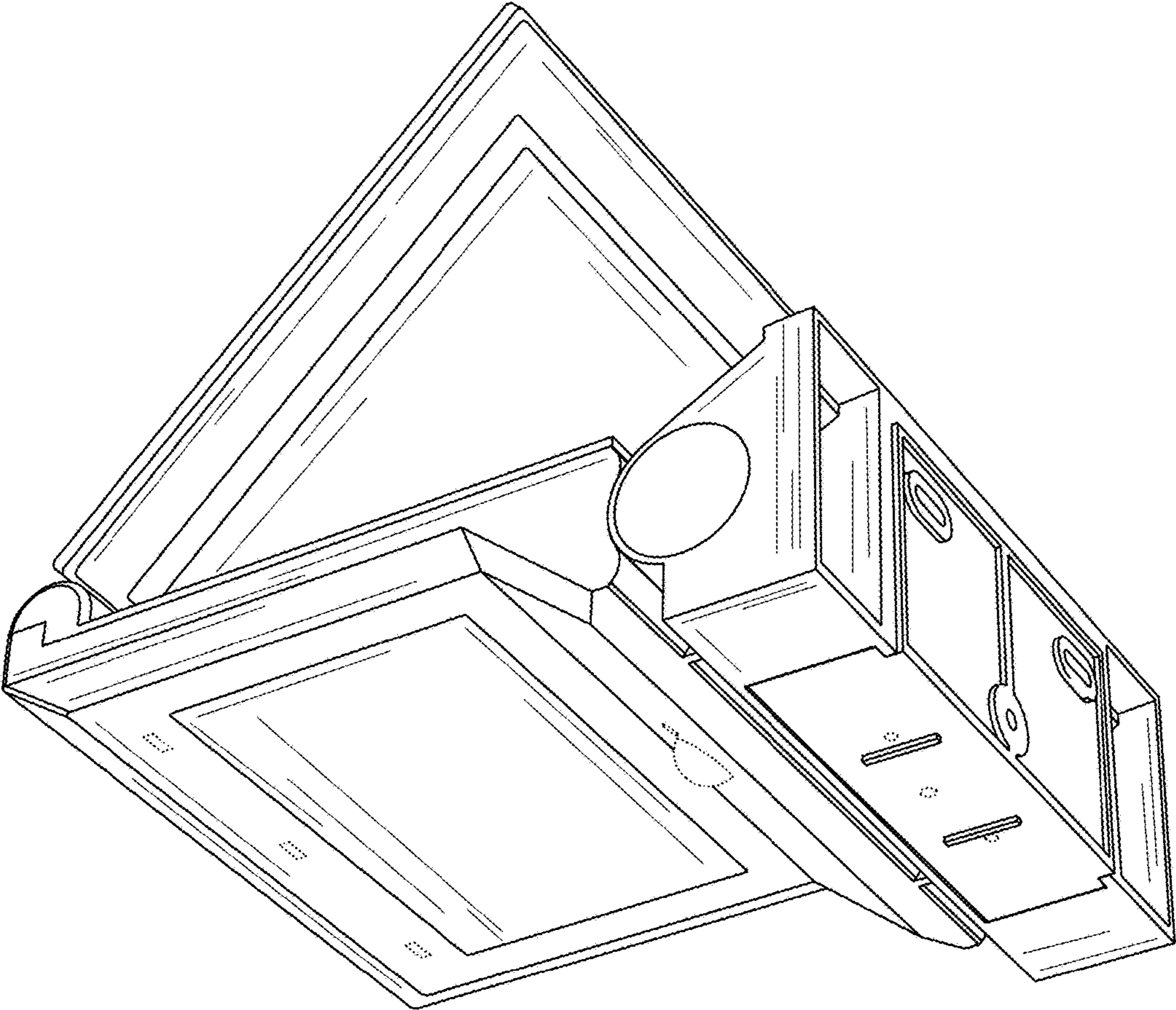


Fig. 11