



US00D805672S

(12) **United States Design Patent**
Dai

(10) **Patent No.:** **US D805,672 S**

(45) **Date of Patent:** **** Dec. 19, 2017**

(54) **WALL MOUNTED SOLAR POWERED
FLOOD LIGHT**

(71) Applicant: **Ningbo Weitao Electrical Appliance
Co., Ltd.**, Ningbo, Zhejiang (CN)

(72) Inventor: **Jiangang Dai**, Zhejiang (CN)

(73) Assignee: **Ningbo Weitao Electrical Appliance
Co., Ltd.**, Ningbo (CN)

(**) Term: **15 Years**

(21) Appl. No.: **29/583,202**

(22) Filed: **Nov. 3, 2016**

(30) **Foreign Application Priority Data**

Aug. 26, 2016 (CN) 2016 3 0465379

(51) **LOC (10) Cl.** **26-03**

(52) **U.S. Cl.**
USPC **D26/63**

(58) **Field of Classification Search**

USPC D26/24, 51, 61, 63, 65, 72, 80, 118

CPC F21S 8/04; F21S 8/00; F21V 21/00; F21V
17/02; F21V 14/02; F21V 21/30; F21V
21/14; F21V 21/26; F21W 2131/10

See application file for complete search history.

(56) **References Cited**

U.S. PATENT DOCUMENTS

5,649,761 A * 7/1997 Sandell F21V 17/02
362/276

D628,329 S * 11/2010 Tuli D26/63

D713,582 S * 9/2014 Liang D26/63

D714,481 S * 9/2014 Moeller D26/63

D742,053 S * 10/2015 Sussman D26/63

D745,201 S * 12/2015 Lee D26/63

D762,903 S * 8/2016 Tsai D26/63

D769,498 S * 10/2016 Liang D26/61

* cited by examiner

Primary Examiner — Brian M. Vinson

(57) **CLAIM**

The ornamental design for a wall mounted solar powered flood light, as shown and described.

DESCRIPTION

FIG. 1 is a front elevational view of a wall mounted solar powered flood light showing my new design;

FIG. 2 is a rear elevational view thereof;

FIG. 3 is a left side view thereof;

FIG. 4 is a right side view thereof;

FIG. 5 is a top plan view thereof;

FIG. 6 is a bottom plan view thereof;

FIG. 7 is a first perspective view thereof;

FIG. 8 is a second perspective view thereof;

FIG. 9 is a third perspective view thereof; showing the wall mounted solar powered flood light in a use state;

FIG. 10 is a fourth perspective view thereof, showing the wall mounted solar powered flood light in a use state;

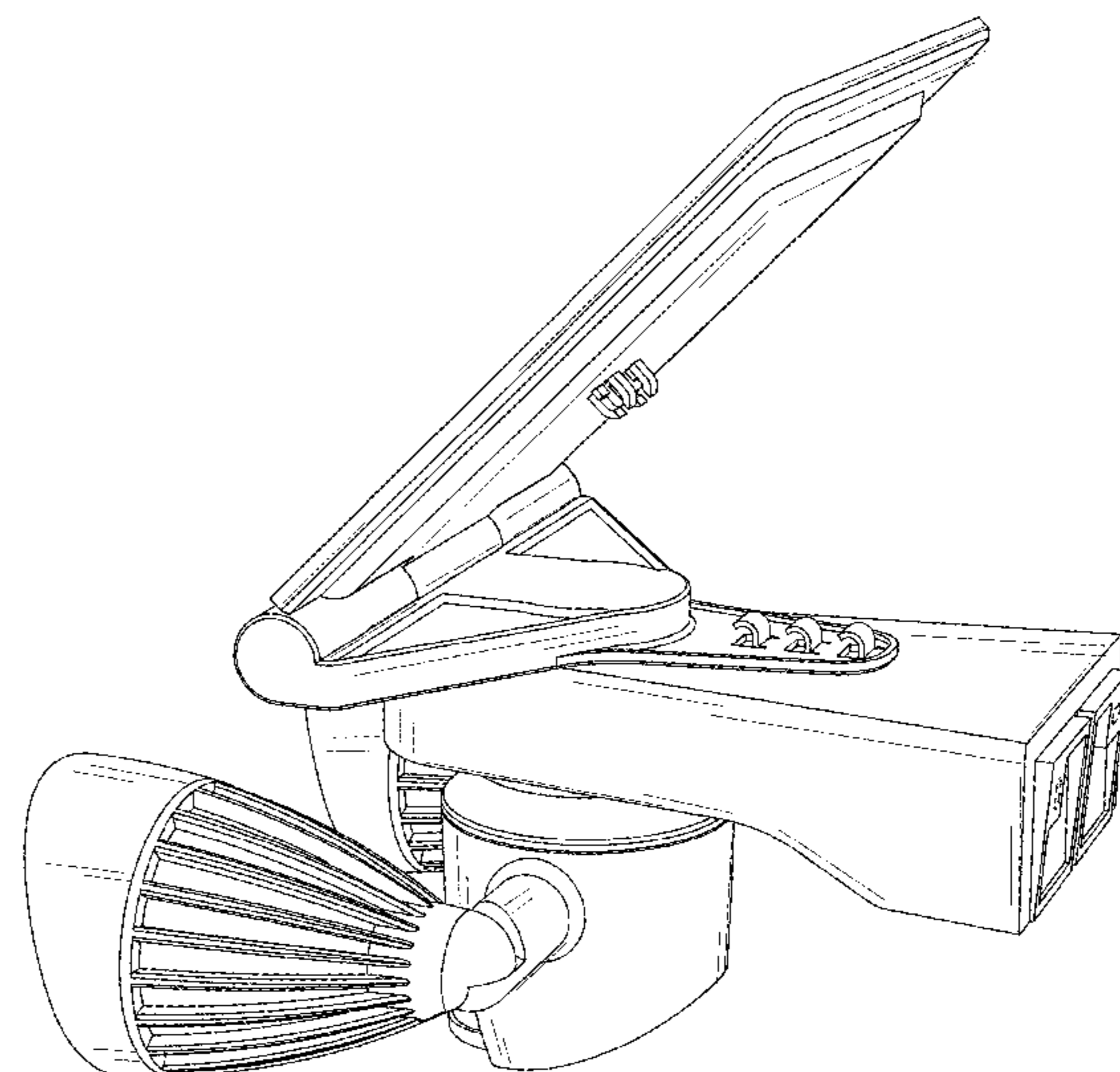
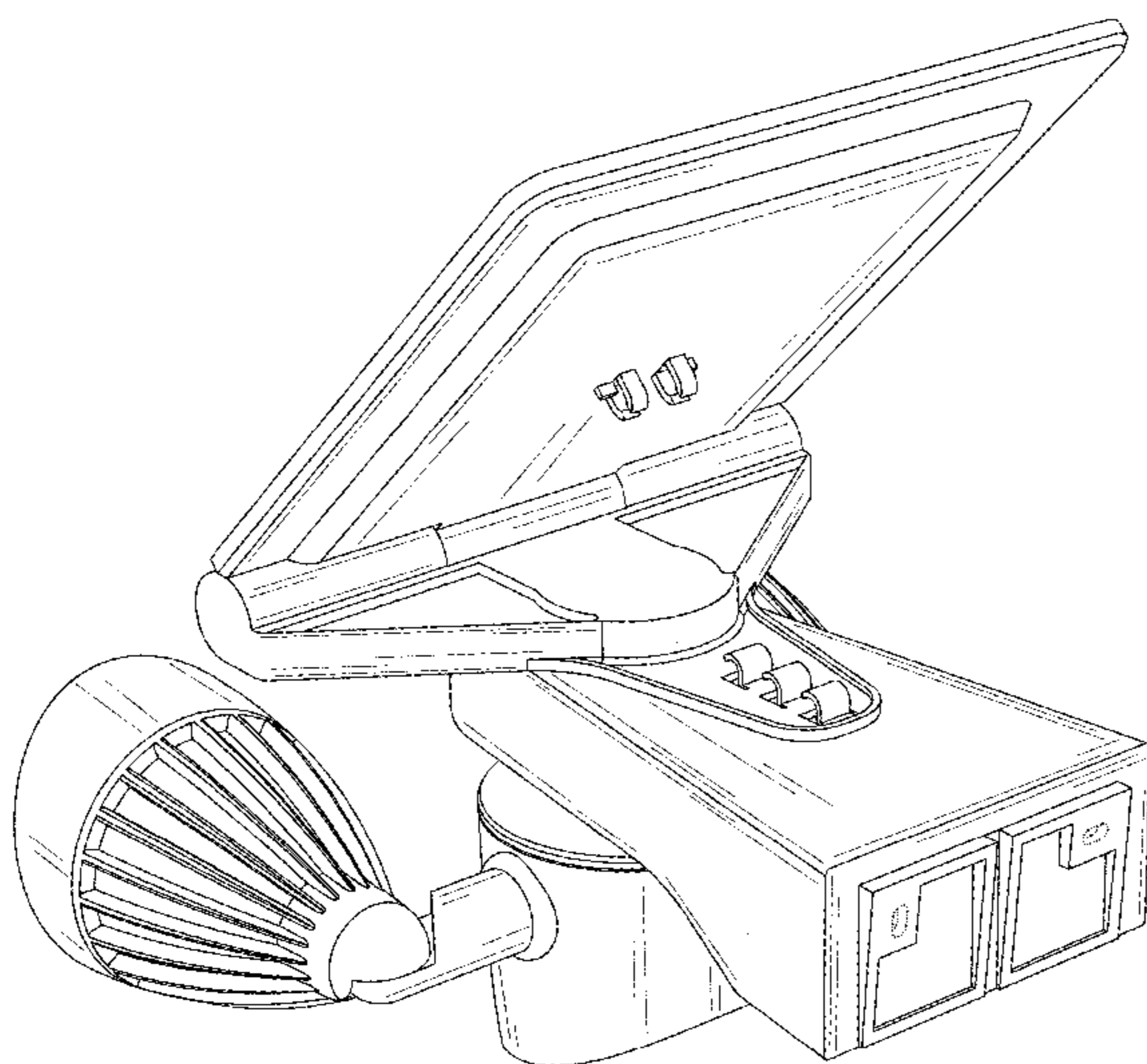
FIG. 11 is a fifth perspective view thereof, showing the wall mounted solar powered flood light in a use state;

FIG. 12 is a sixth perspective view thereof, showing the wall mounted solar powered flood light in a use state; and,

FIG. 13 is a seventh perspective view thereof, showing the wall mounted solar powered flood light in a use state.

The broken lines in the drawings illustrate portions of the wall mounted solar powered flood light which form no part of the claimed design. The diagonal lines indicate transparency.

1 Claim, 13 Drawing Sheets



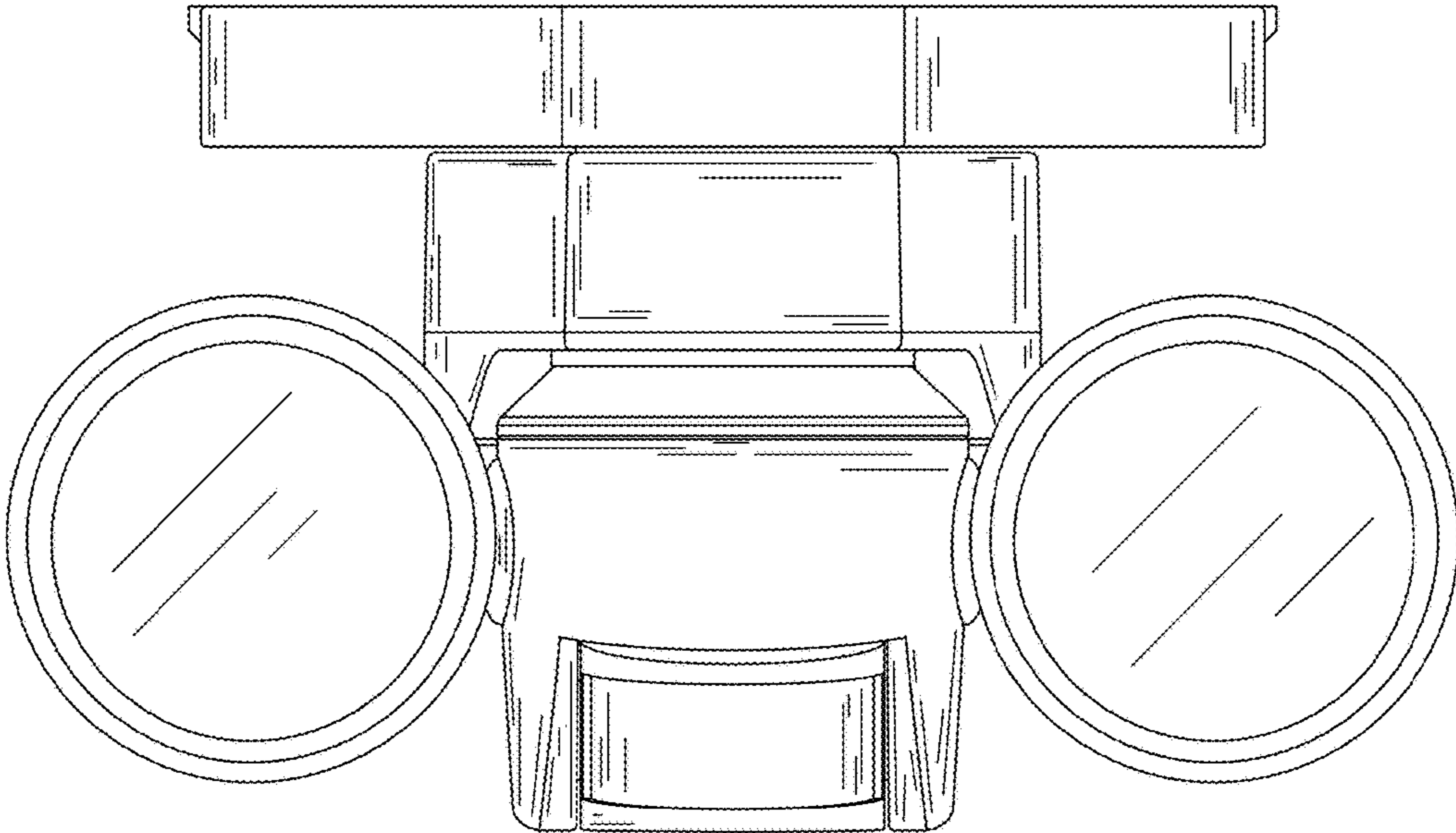


Fig. 1

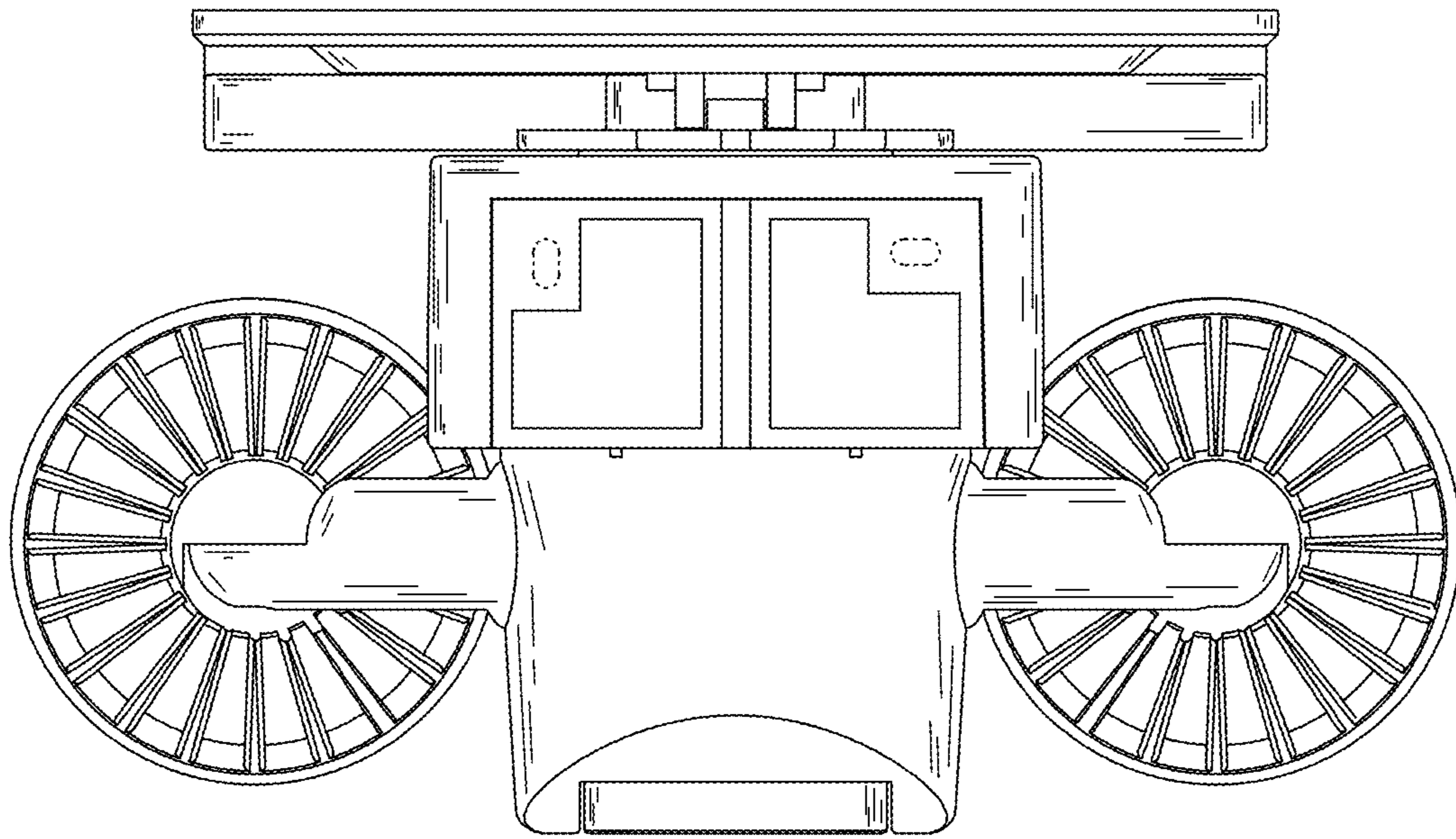


Fig. 2

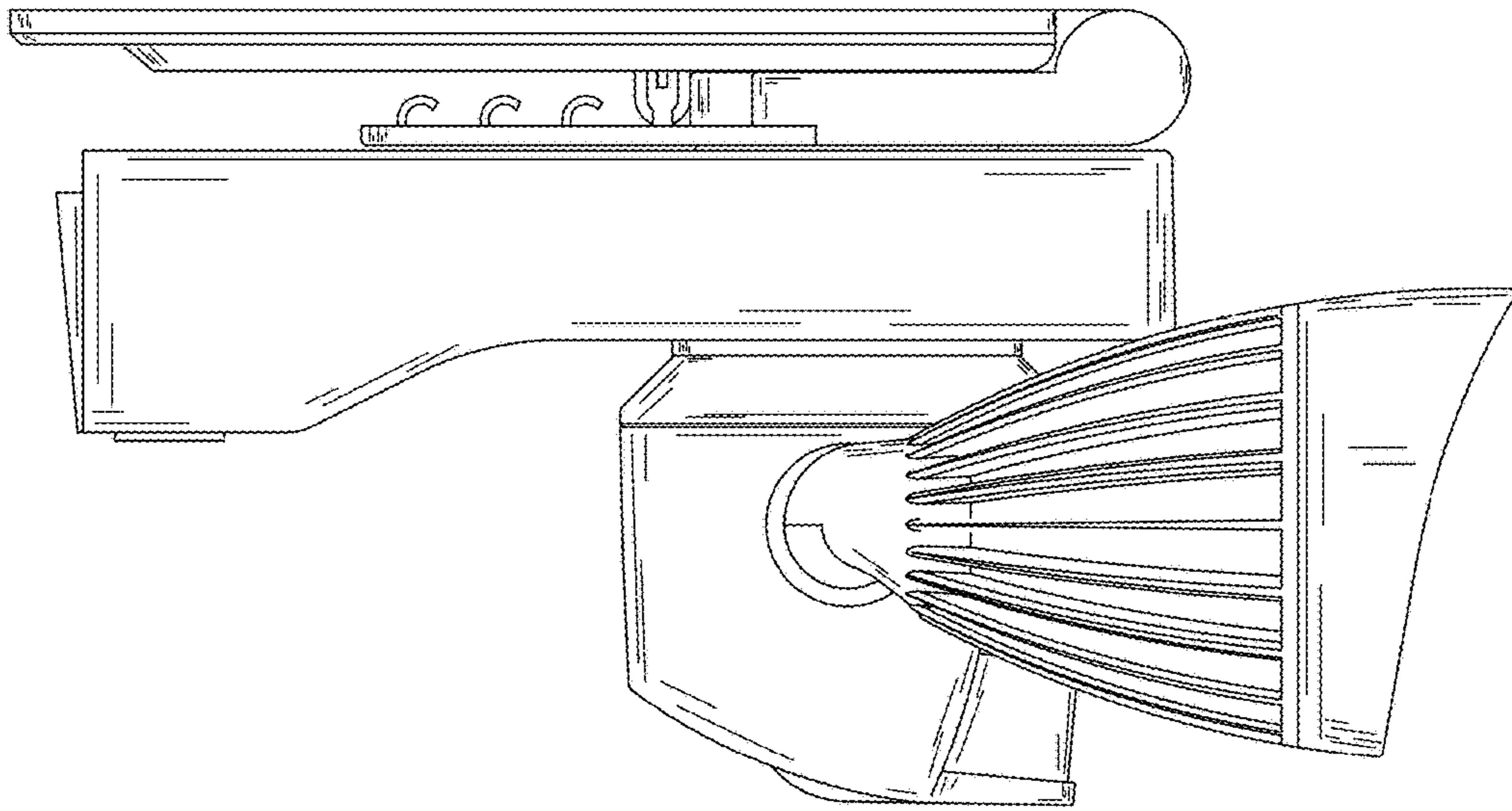


Fig. 3

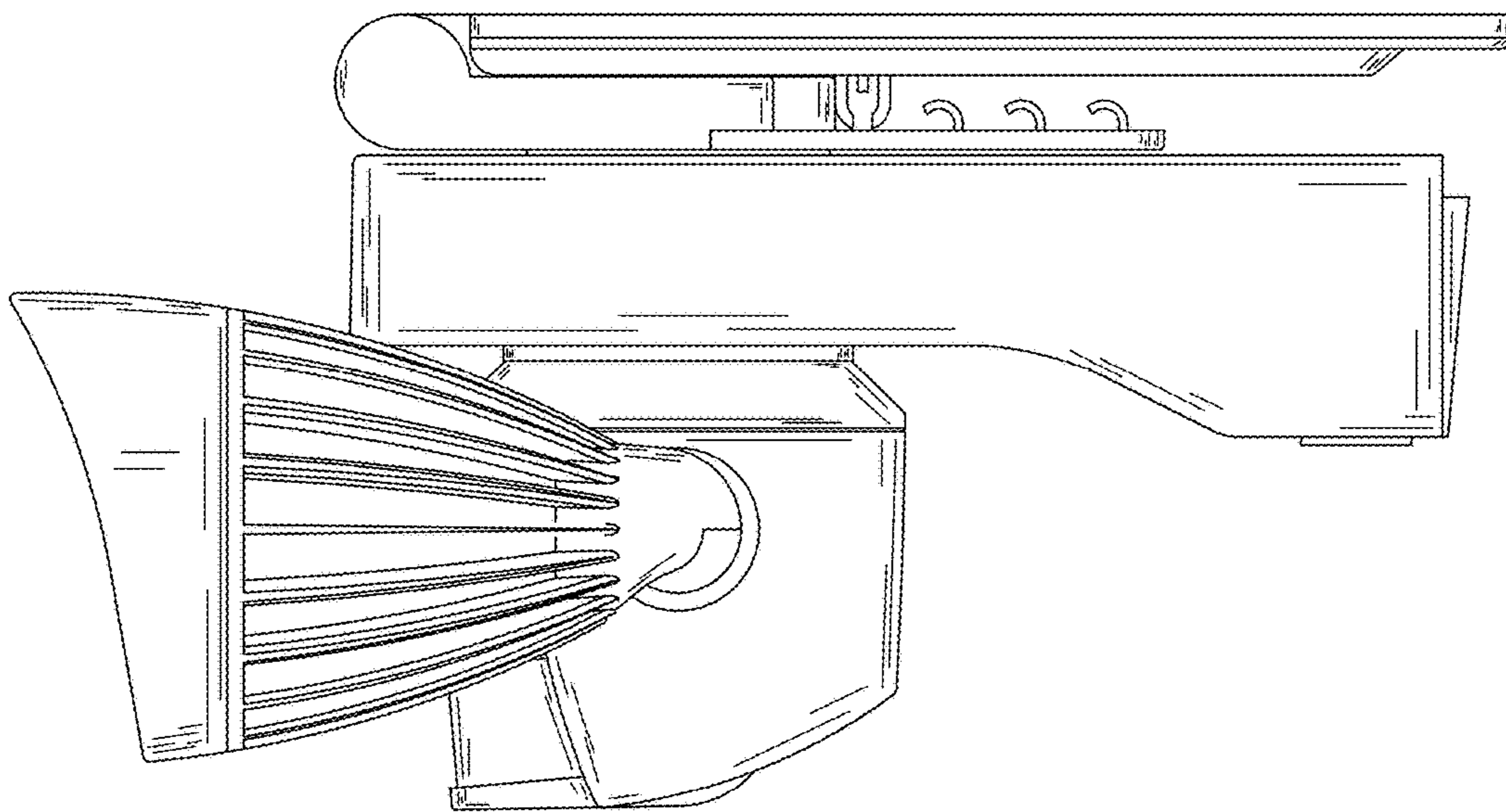


Fig. 4

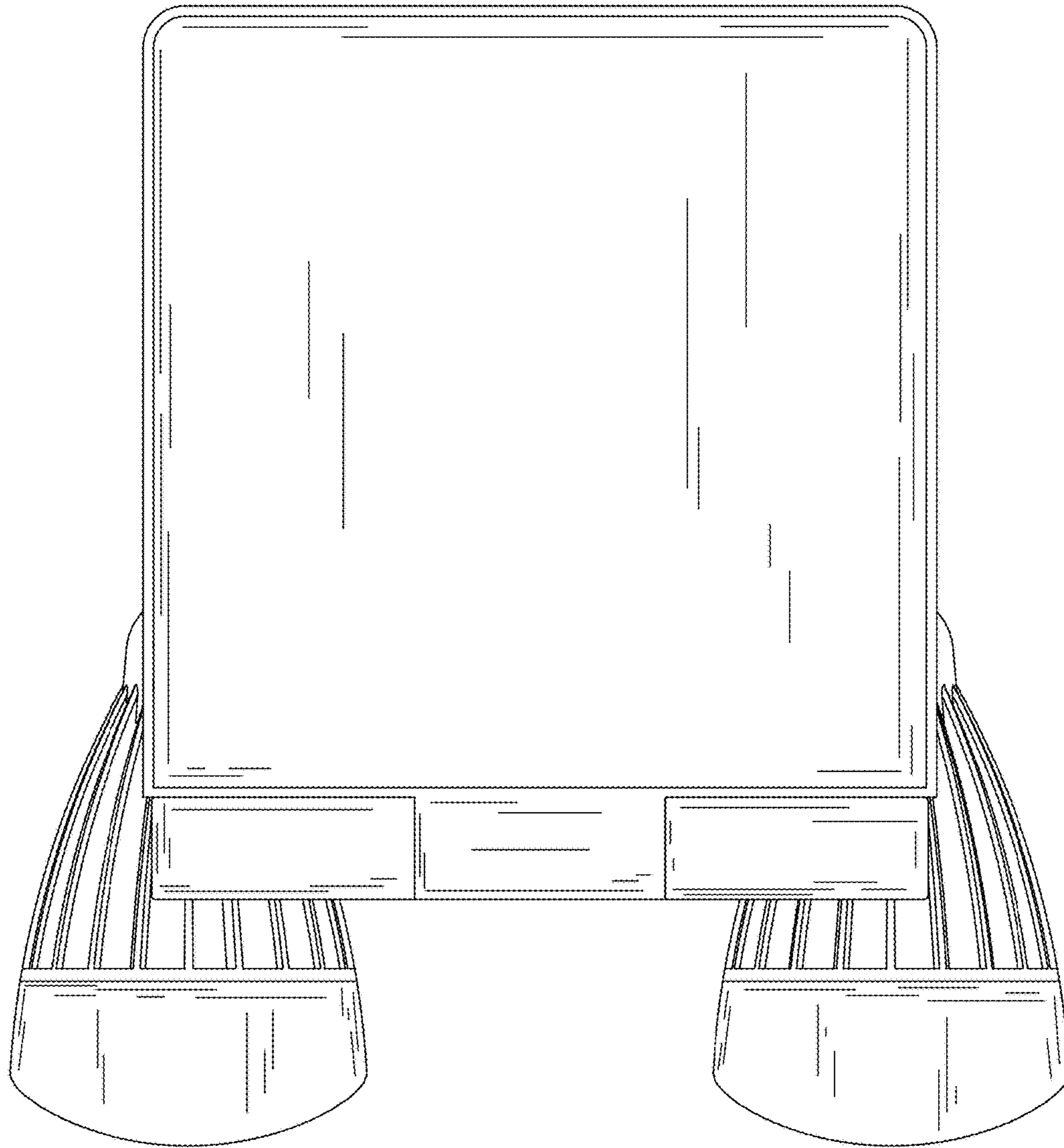


Fig. 5

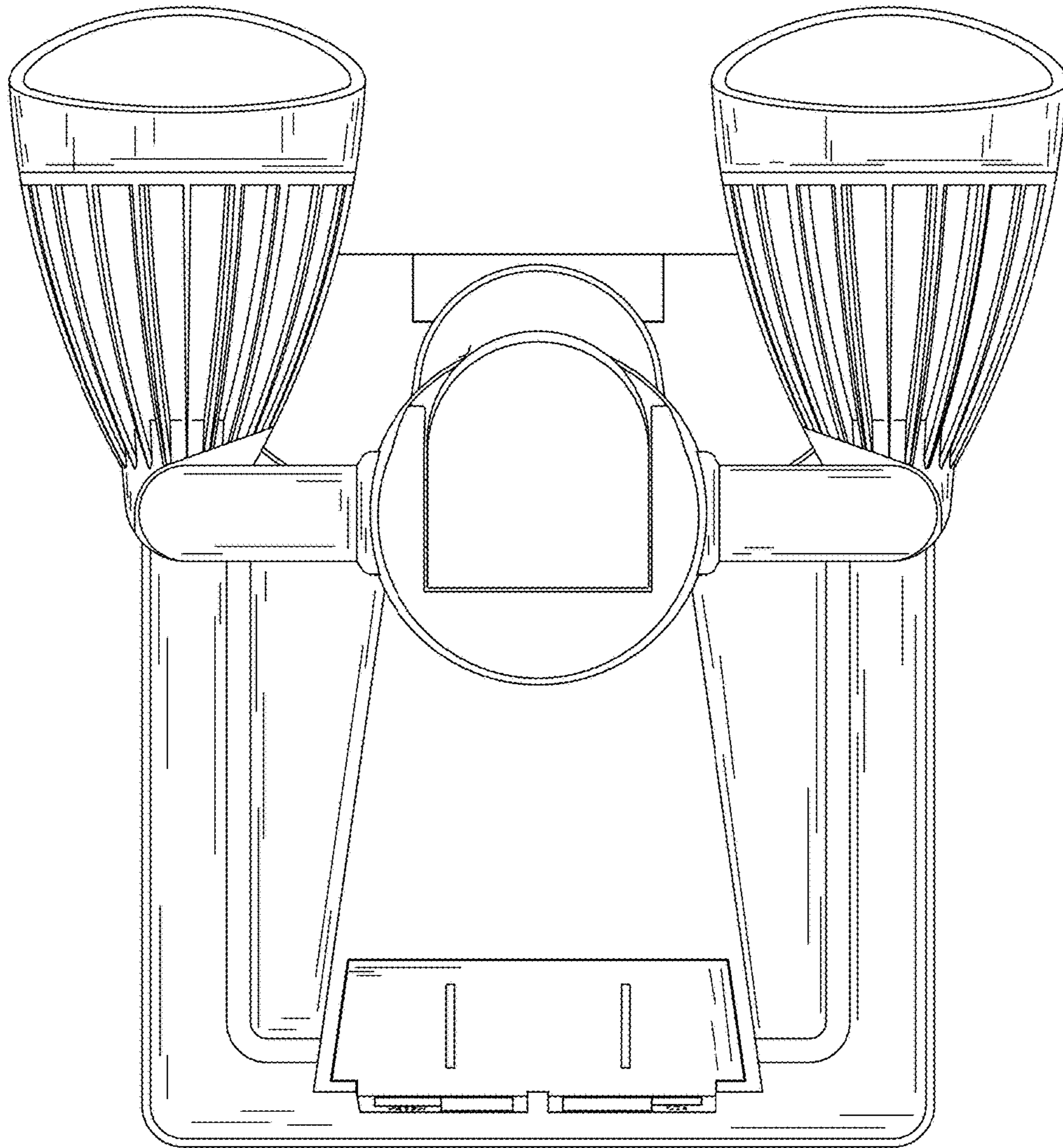


Fig. 6

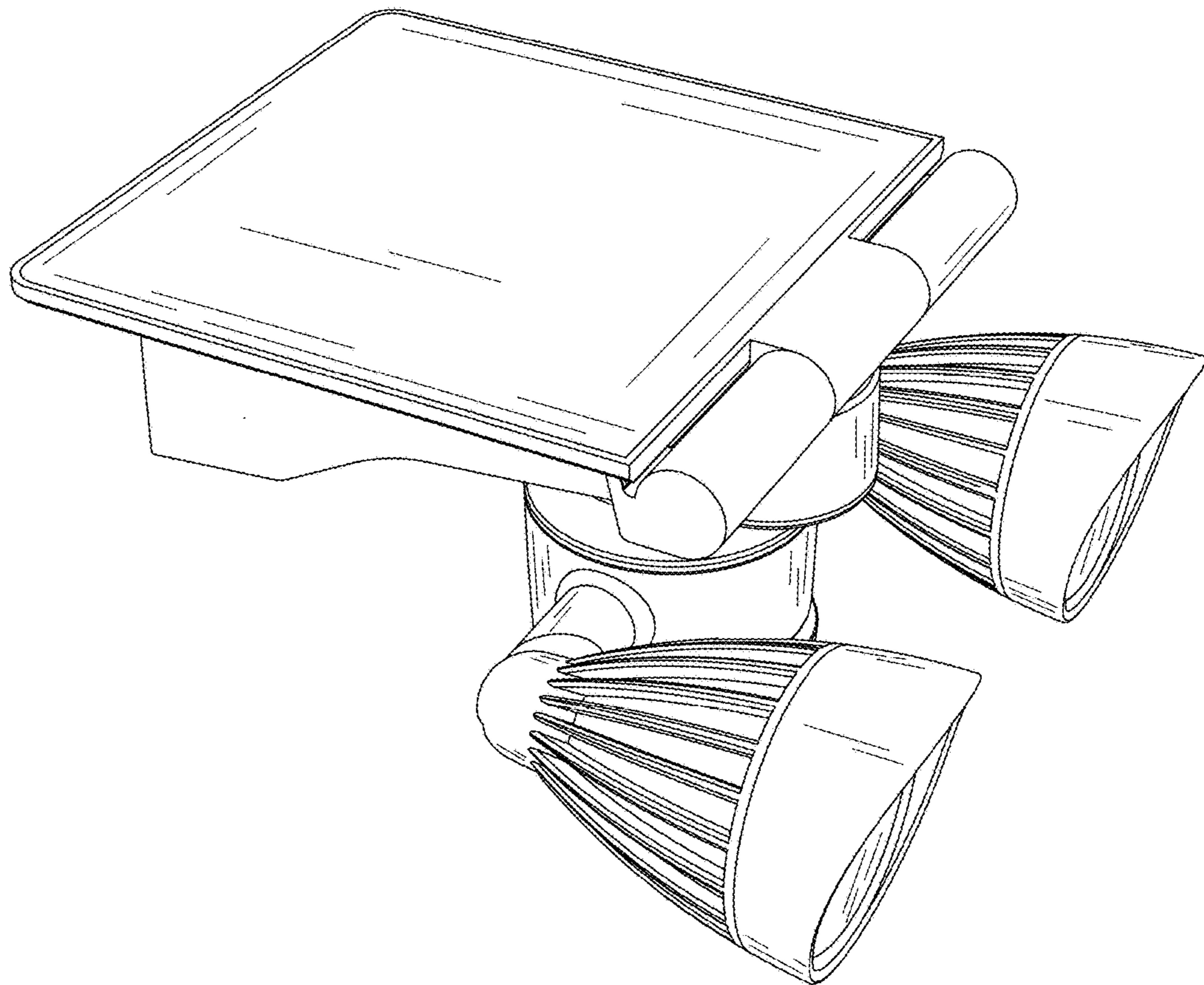


Fig. 7

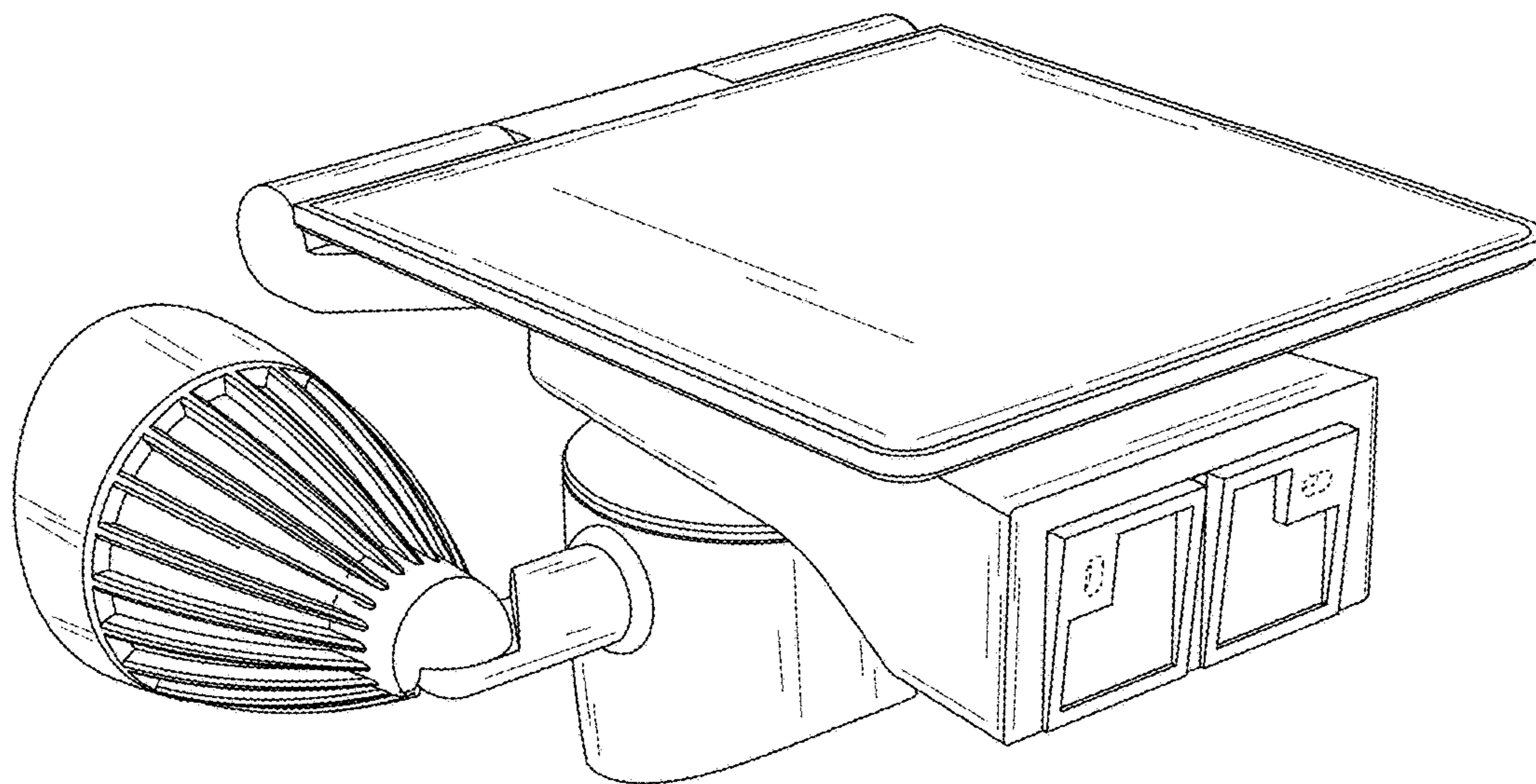


Fig. 8

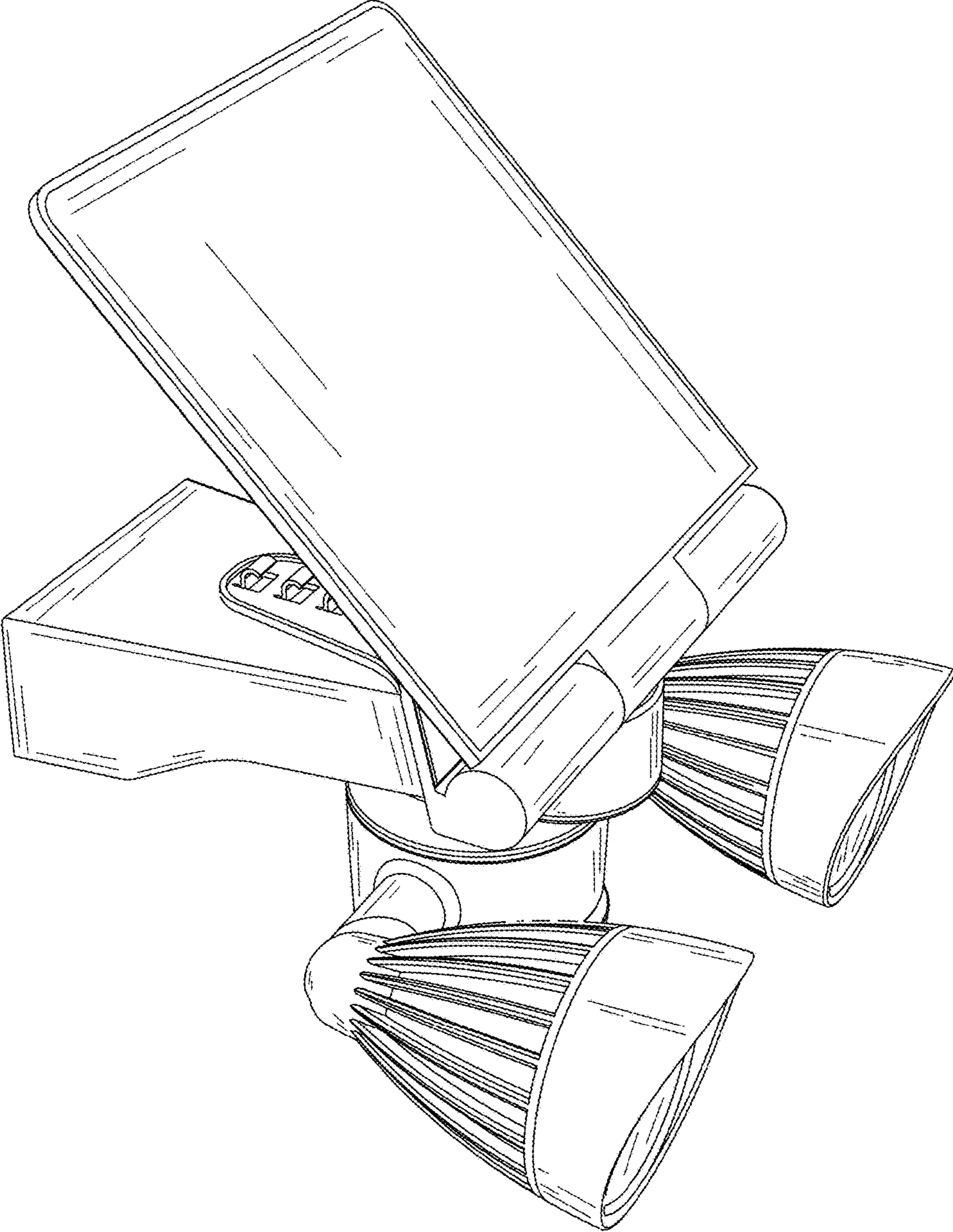


Fig. 9

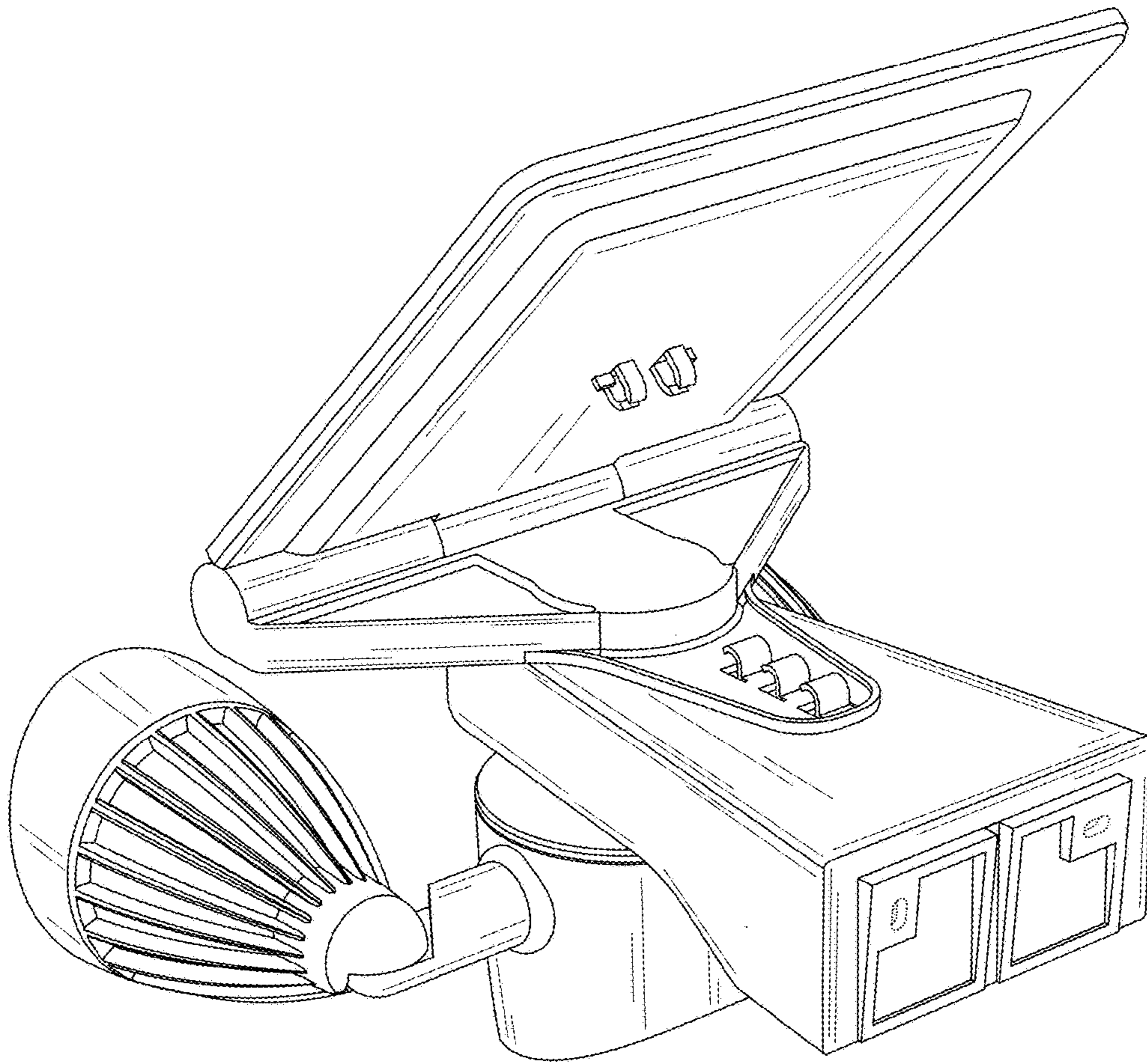


Fig. 10

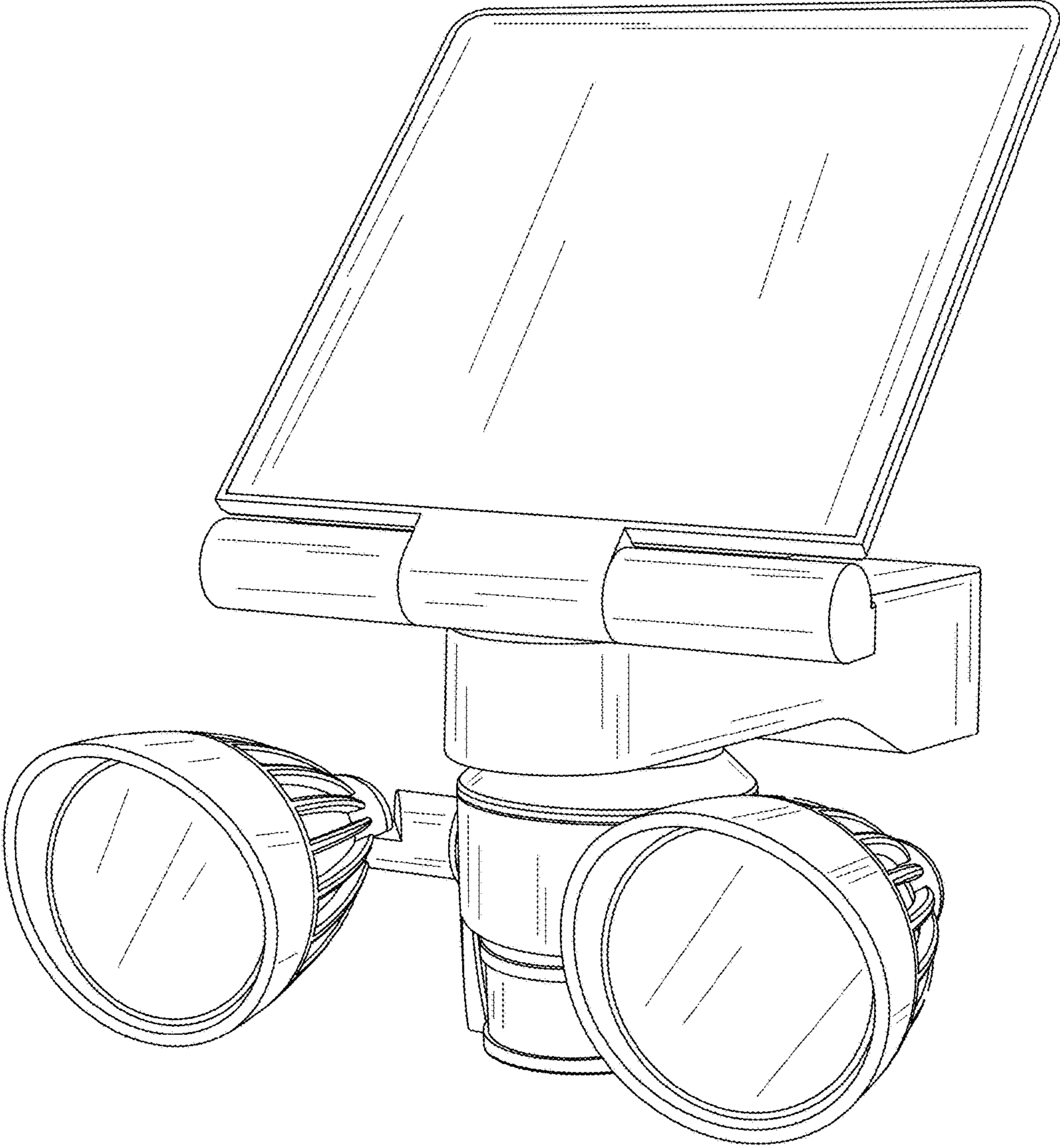


Fig. 11

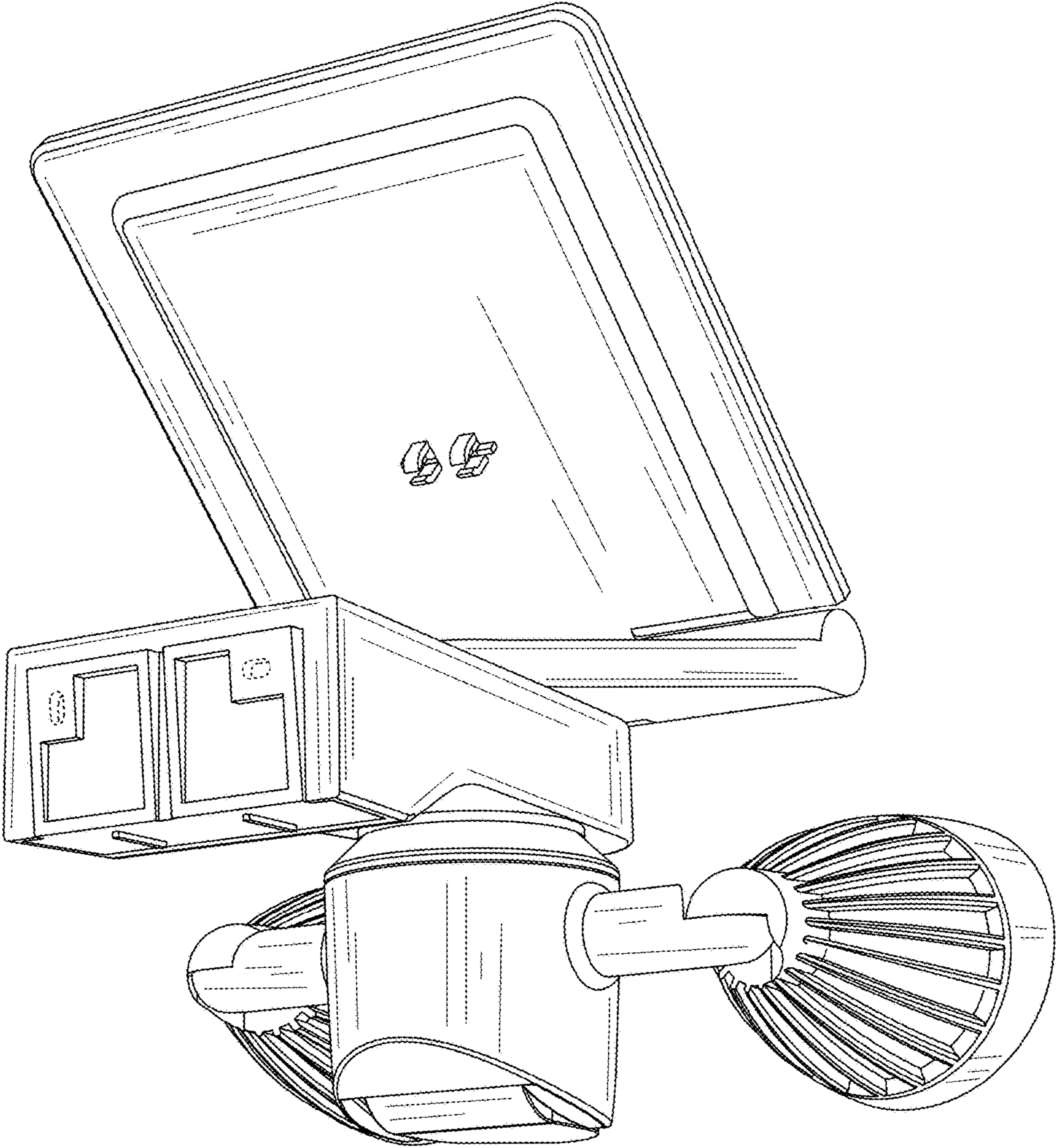


Fig. 12

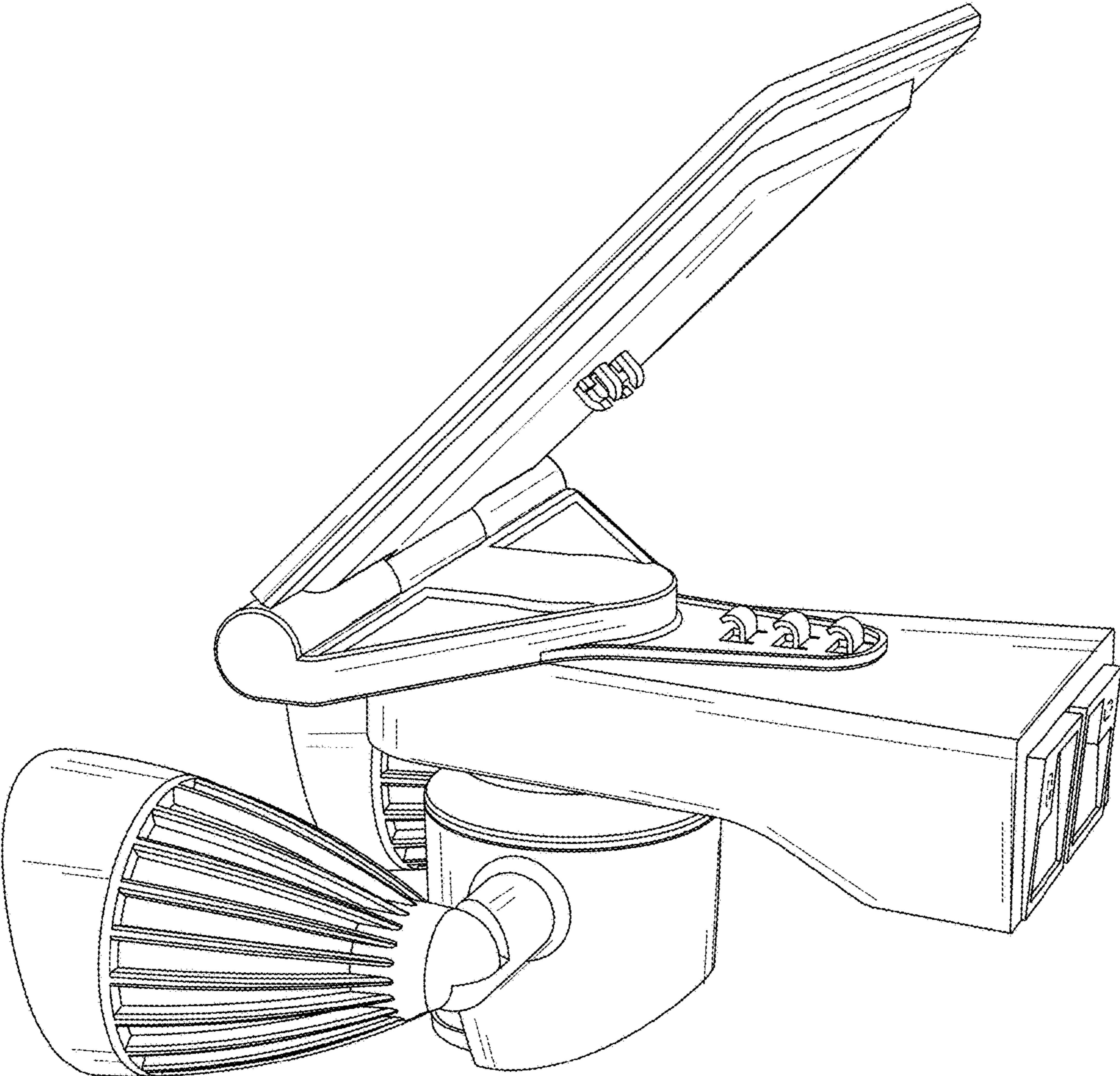


Fig. 13