



US00D805671S

(12) **United States Design Patent**  
**Liping**

(10) **Patent No.:** **US D805,671 S**

(45) **Date of Patent:** **\*\* Dec. 19, 2017**

(54) **INTEGRATED INDUSTRIAL ILLUMINATION APPARATUS**

D623,786 S *	9/2010	Wessel .....	D26/51
D730,553 S *	5/2015	Naksen .....	D26/63
D759,871 S *	6/2016	Consuegra .....	D26/63
D770,657 S *	11/2016	Fang .....	D26/63

(71) Applicant: **Fan Liping**, Beijing (CN)

\* cited by examiner

(72) Inventor: **Fan Liping**, Beijing (CN)

*Primary Examiner* — Brian N. Vinson

(\*\*) Term: **15 Years**

(74) *Attorney, Agent, or Firm* — Rapacke Law Group, P.A.

(21) Appl. No.: **29/573,259**

(22) Filed: **Aug. 4, 2016**

(57) **CLAIM**

(51) **LOC (10) Cl.** ..... **26-02**

The ornamental design for an integrated industrial illumination apparatus, as shown and described.

(52) **U.S. Cl.**

USPC ..... **D26/63**

(58) **Field of Classification Search**

USPC ..... D26/1, 24, 61, 63, 65, 85, 92, 51  
 CPC ..... F21V 21/14; F21V 15/01; F21V 14/02;  
 F21V 21/30; F21V 21/00; F21V 14/00;  
 F21S 8/00; F21S 8/003; F21S 8/043;  
 F21Y 2105/001

See application file for complete search history.

**DESCRIPTION**

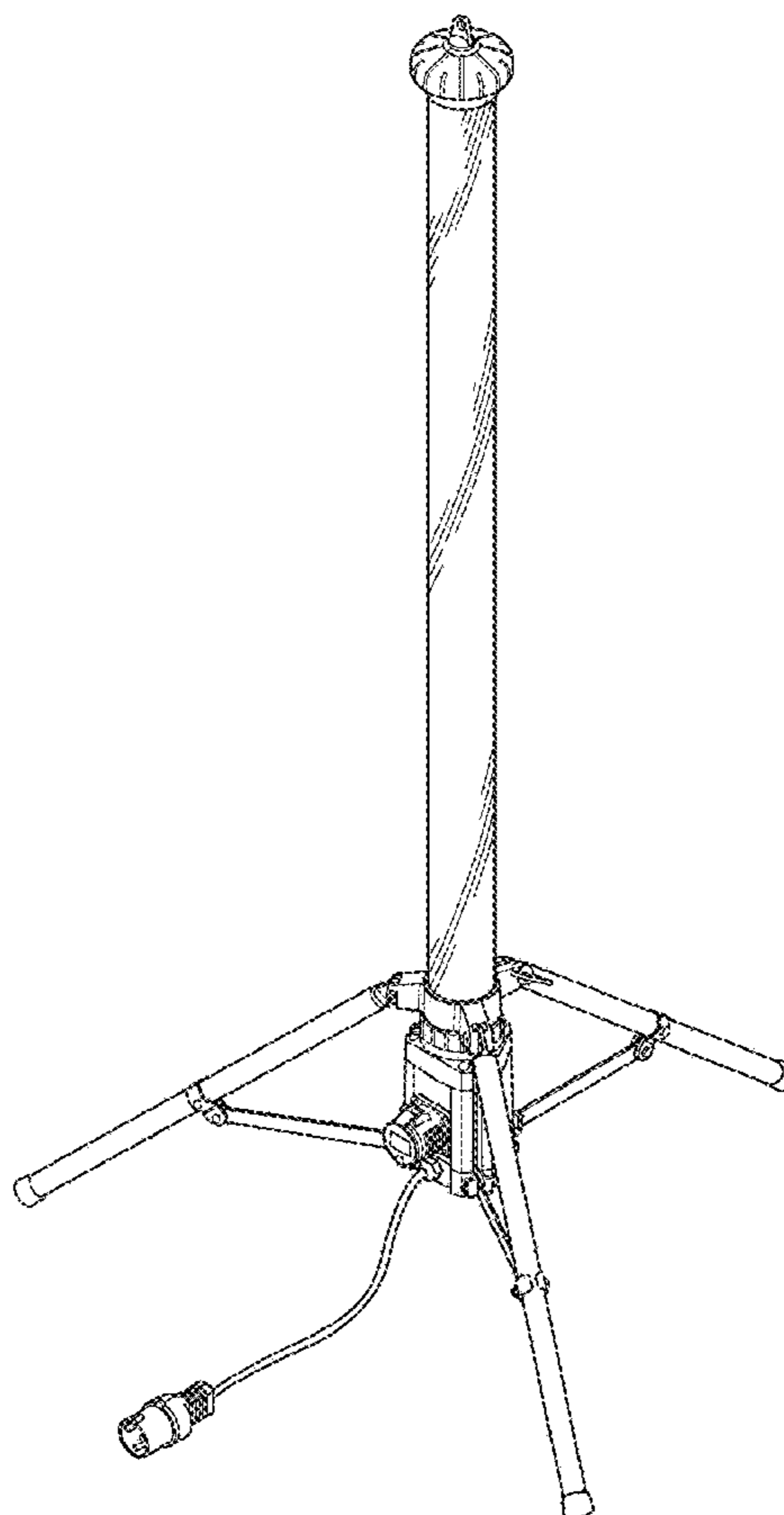
FIG. 1 is a perspective view of the integrated industrial illumination apparatus;  
 FIG. 2 is a front view thereof;  
 FIG. 3 is a rear view thereof;  
 FIG. 4 is a left side view thereof;  
 FIG. 5 is a right side view thereof;  
 FIG. 6 is top view thereof; and,  
 FIG. 7 is a bottom view thereof.

(56) **References Cited**

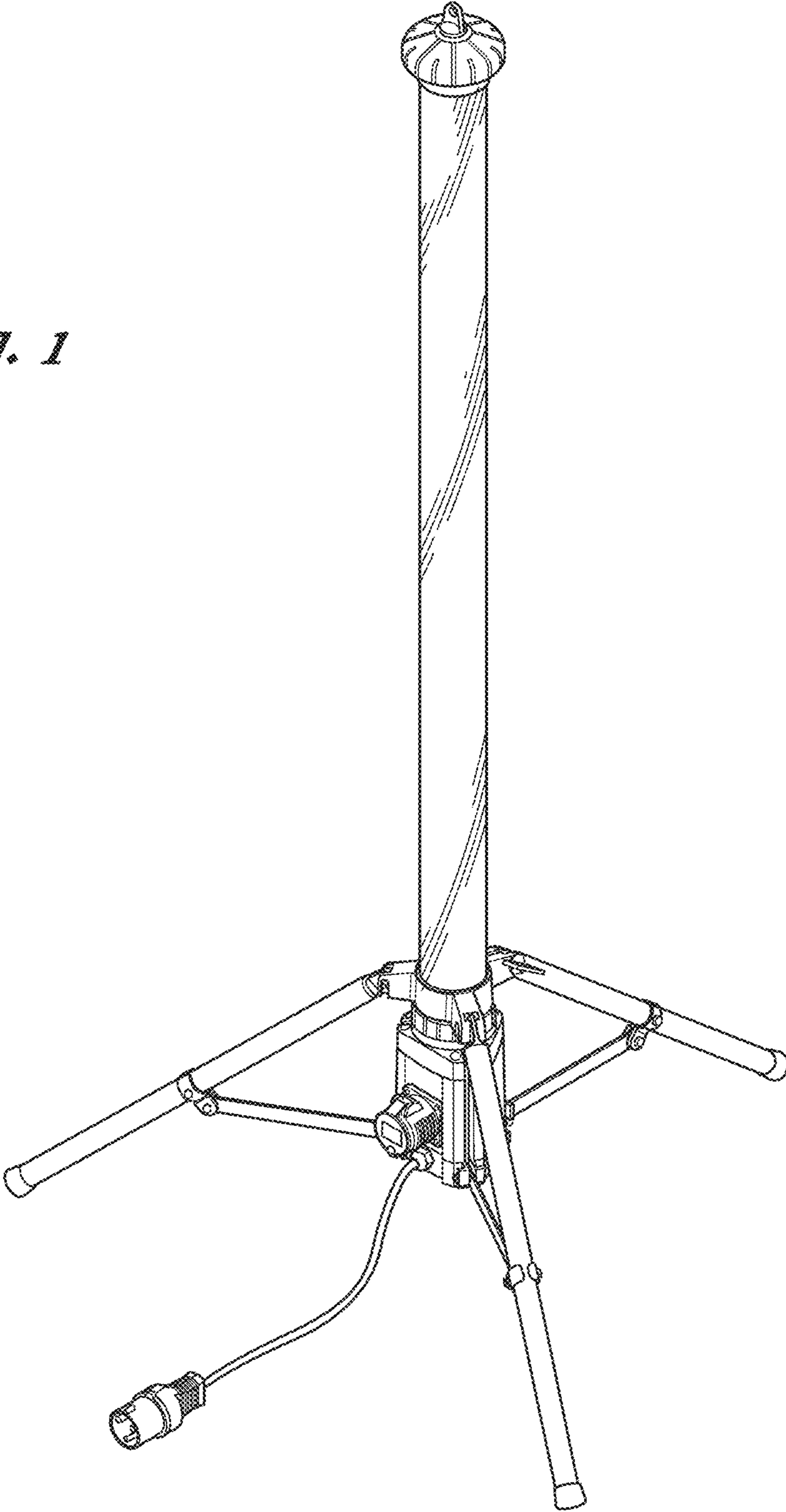
**U.S. PATENT DOCUMENTS**

D397,234 S *	8/1998	Huang .....	D26/63
D509,014 S *	8/2005	Bonneville .....	D26/63

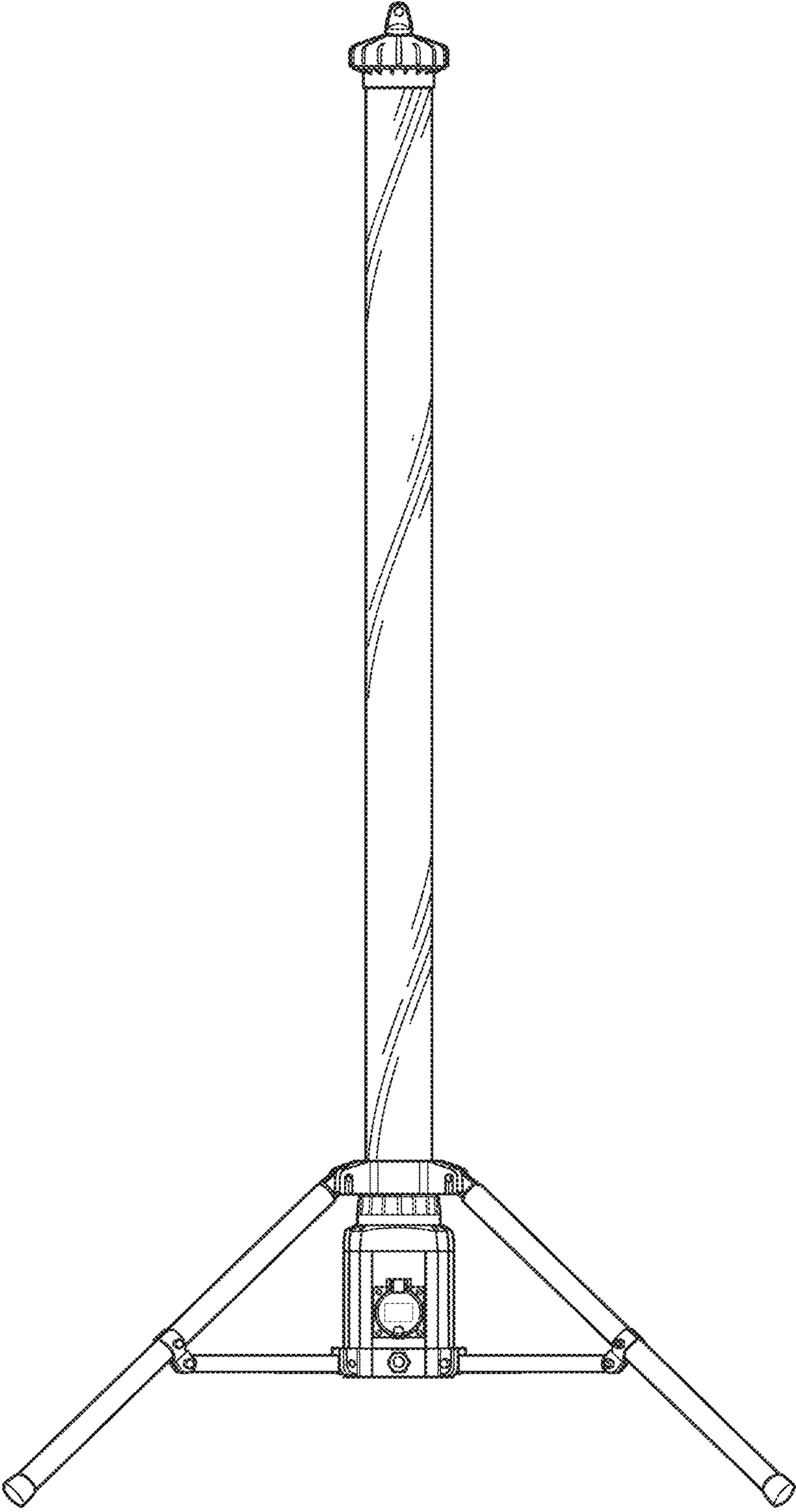
**1 Claim, 7 Drawing Sheets**



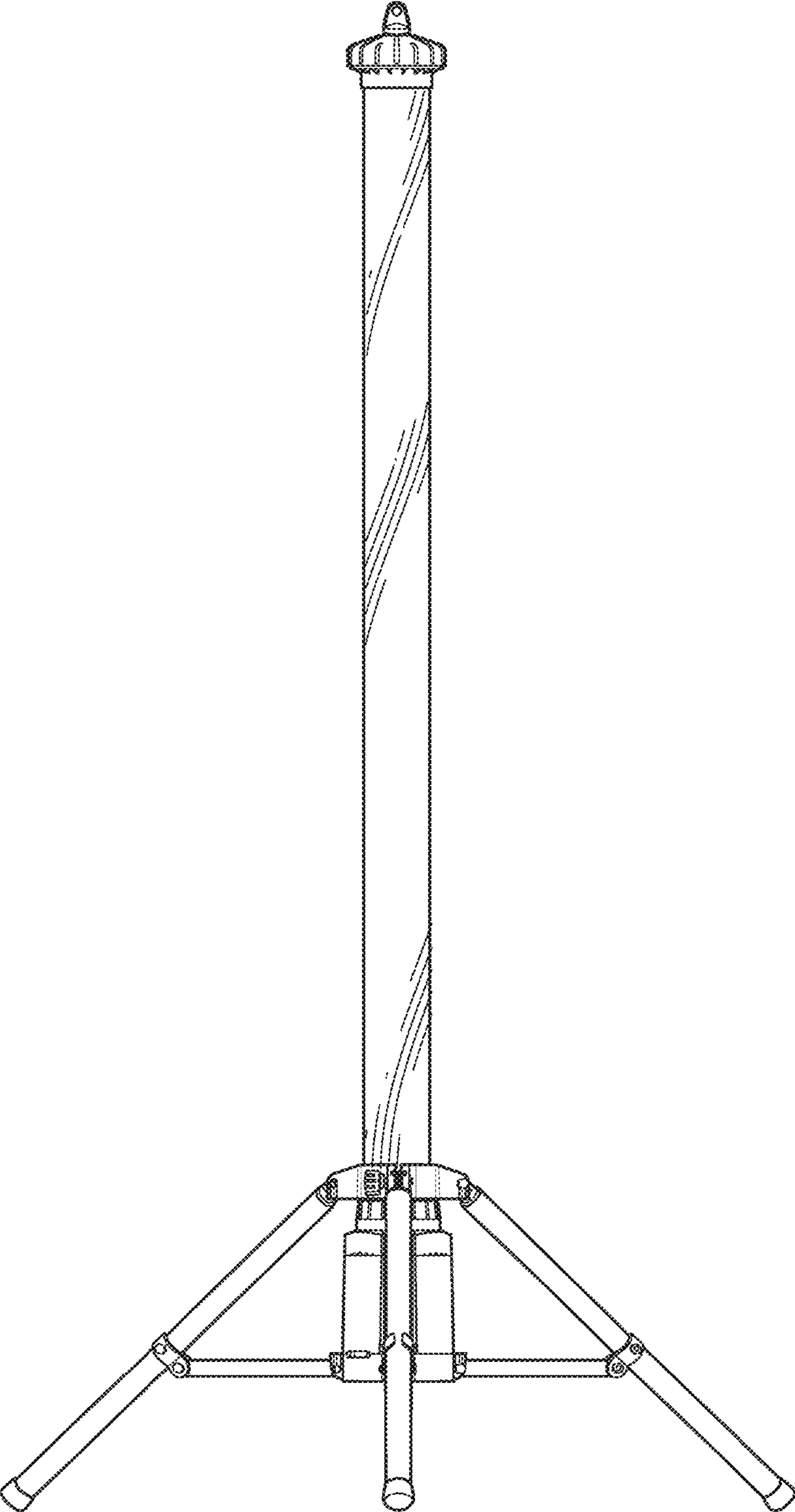
*Fig. 1*



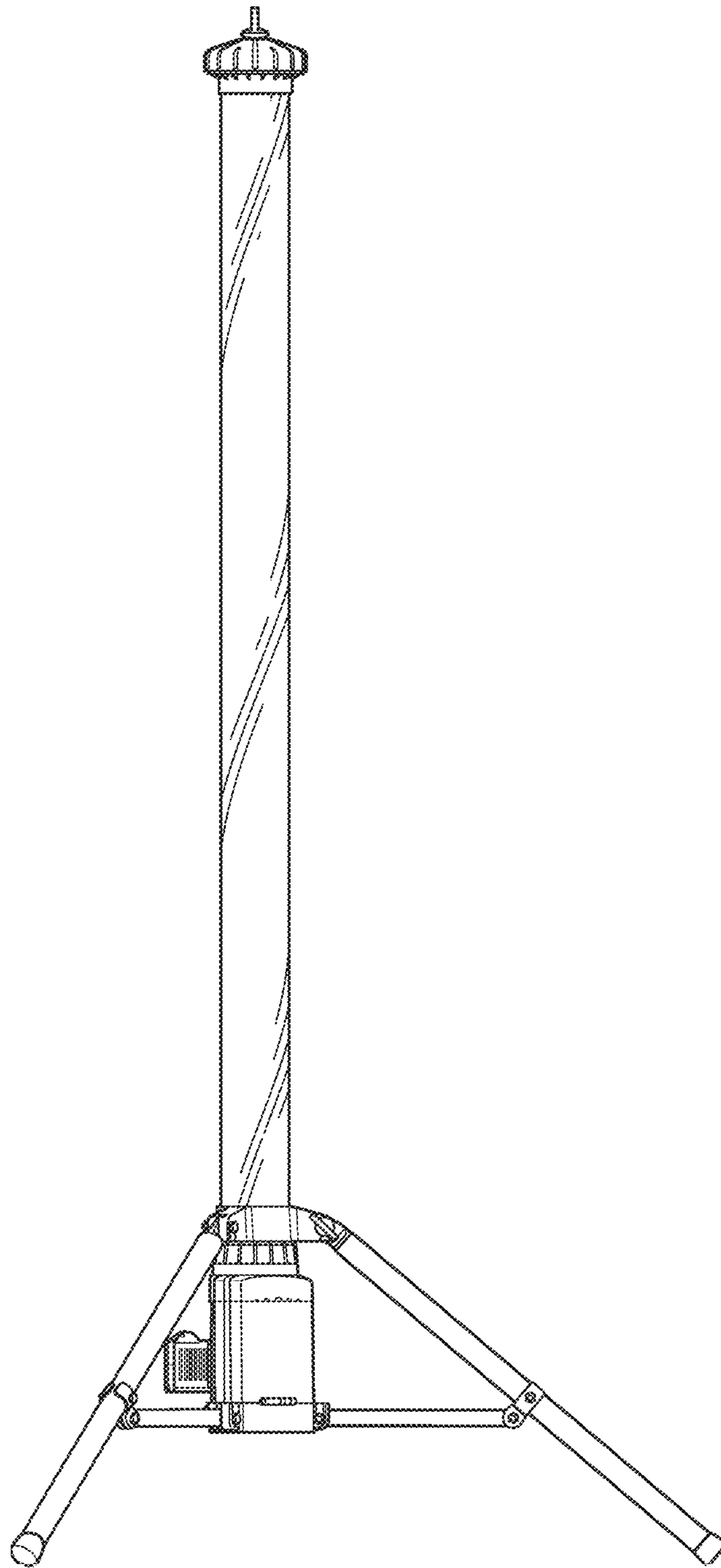
*Fig. 2*



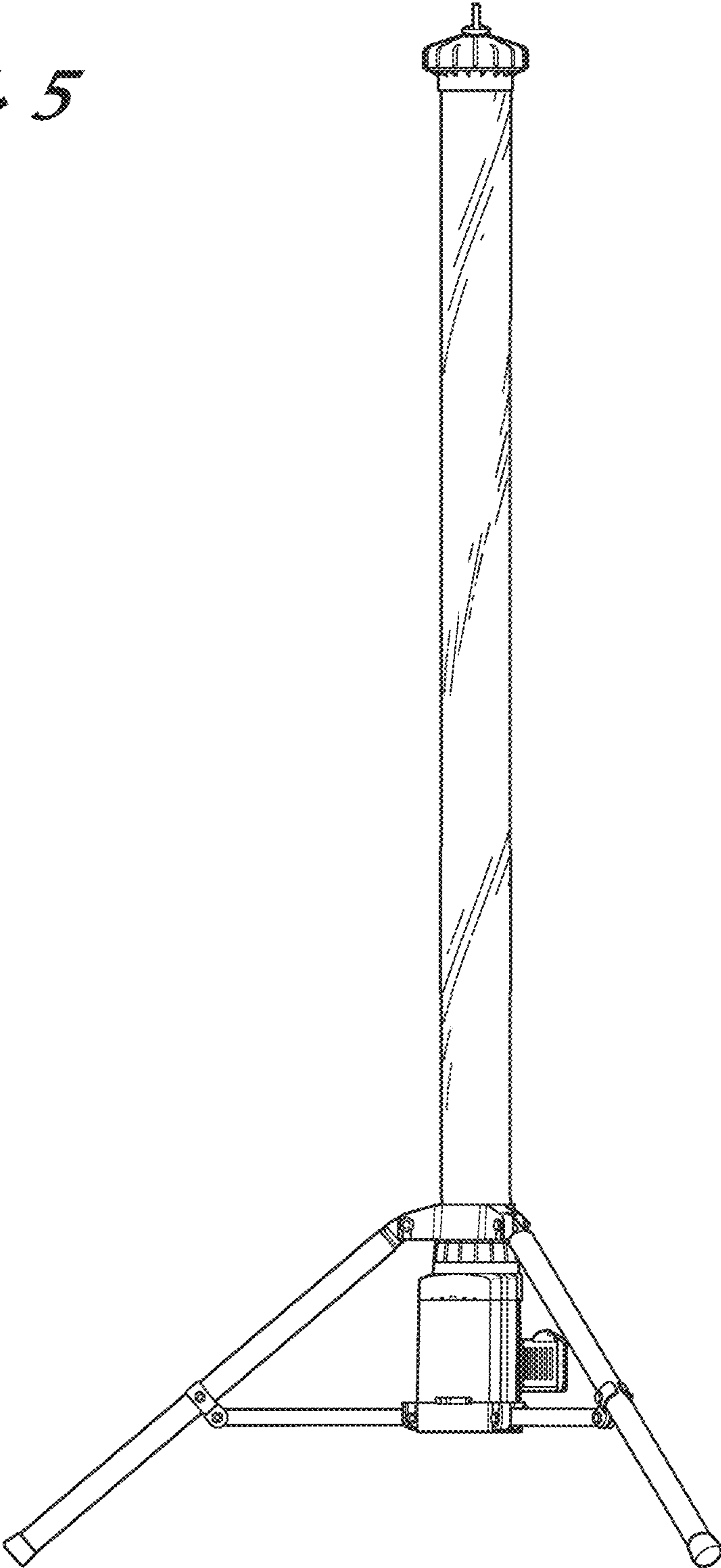
*Fig. 3*

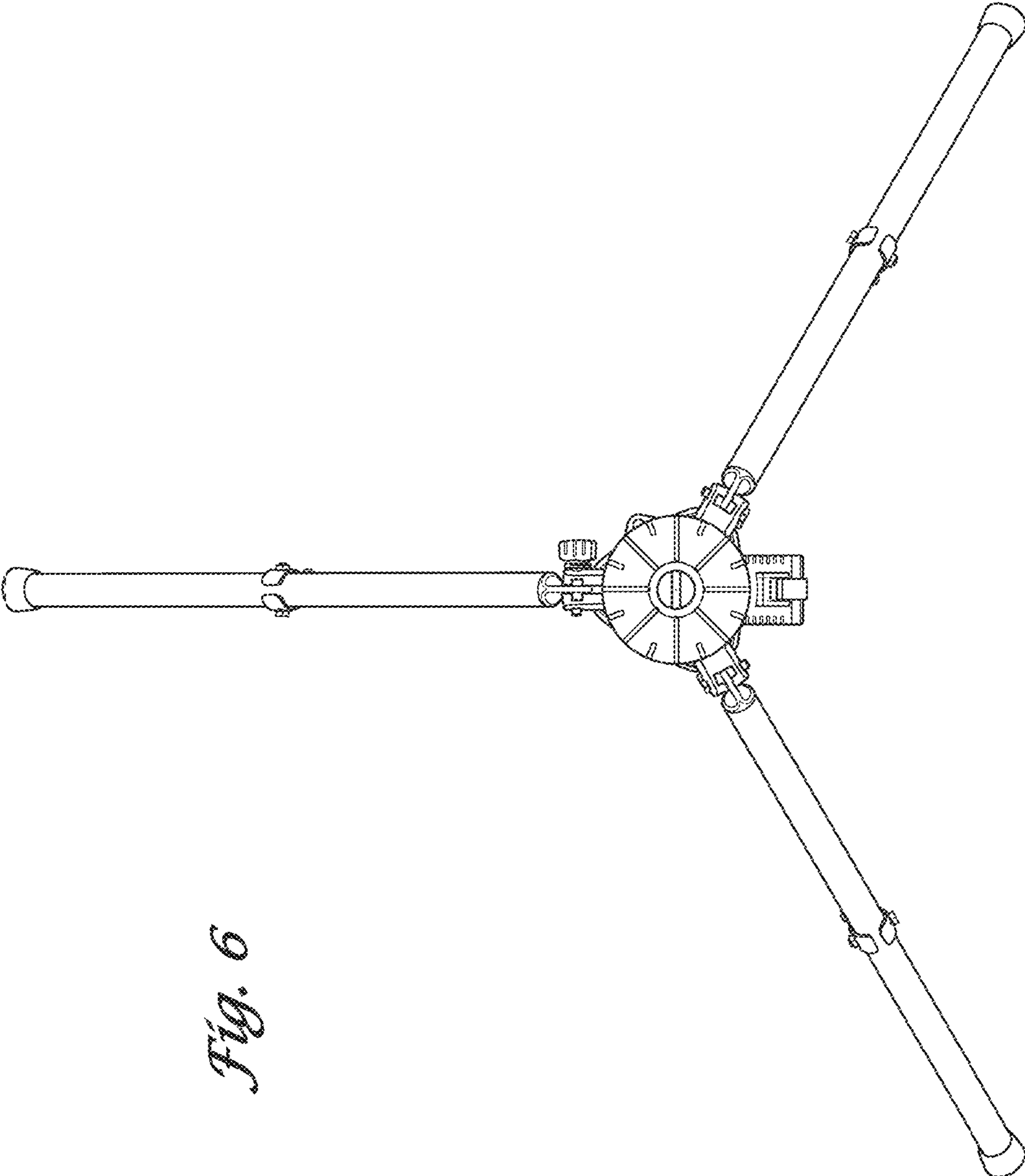


*Fig. 4*

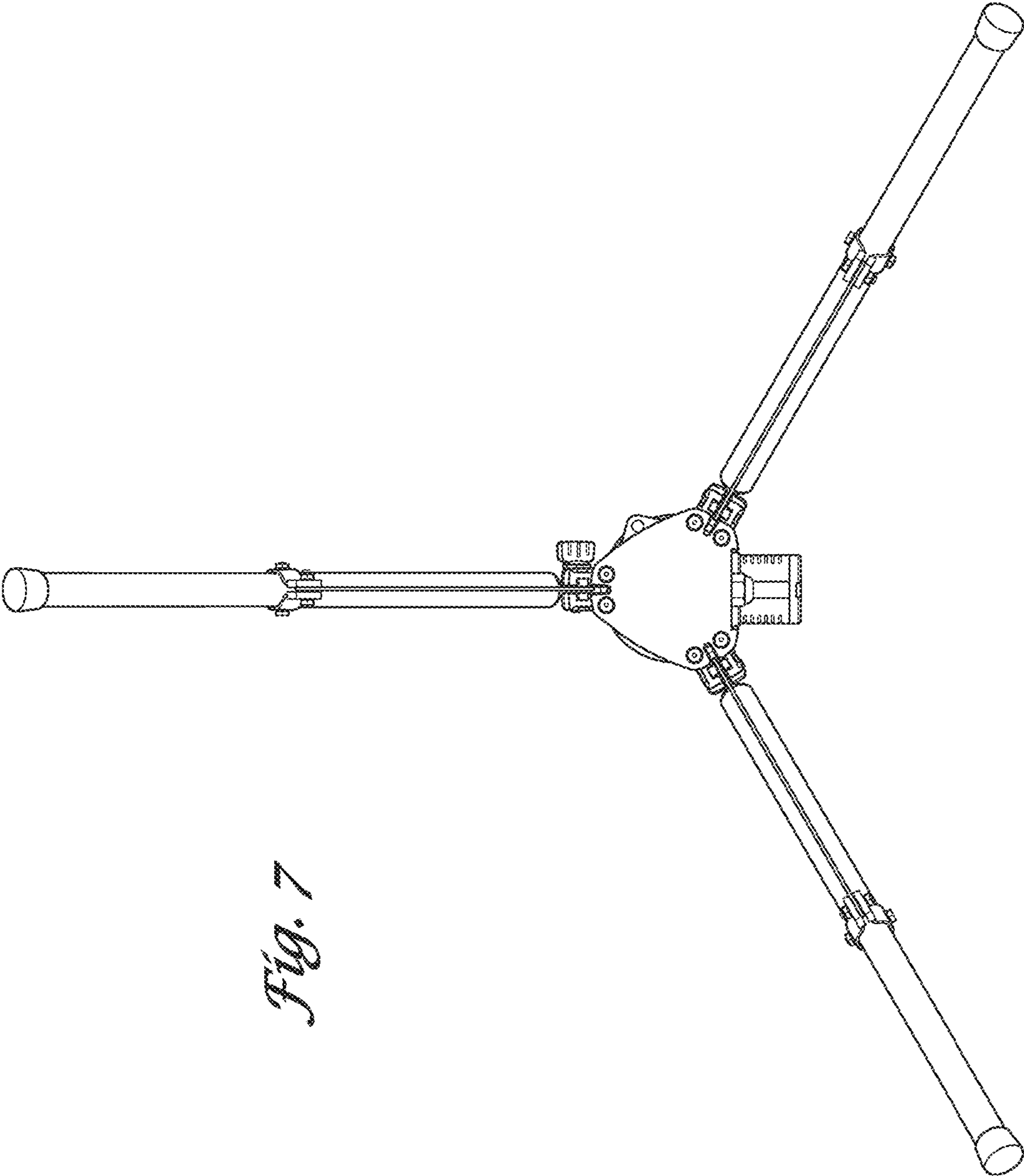


*Fig. 5*





*Fig. 6*



*Fig. 7*