



US00D805670S

(12) **United States Design Patent**  
**Madril et al.**

(10) **Patent No.:** **US D805,670 S**

(45) **Date of Patent:** **\*\* Dec. 19, 2017**

(54) **LIGHT FIXTURE**

(71) Applicant: **JST Performance, LLC**, Gilbert, AZ  
(US)

(72) Inventors: **Edgar A. Madril**, Mesa, AZ (US); **Pete D. Sibitzky**, Lakeside, CA (US);  
**Stephen P. Adams**, Mesa, AZ (US)

(73) Assignee: **JST Performance, LLC**, Gilbert, AZ  
(US)

(\*\*) Term: **15 Years**

(21) Appl. No.: **29/562,027**

(22) Filed: **Apr. 21, 2016**

(51) **LOC (10) Cl.** ..... **26-03**

(52) **U.S. Cl.**  
USPC ..... **D26/63**

(58) **Field of Classification Search**  
USPC ..... D26/1, 24, 61, 63, 65, 85, 92  
CPC ..... F21V 21/14; F21V 15/01; F21V 14/02;  
F21V 21/30; F21V 21/00; F21V 14/00;  
F21S 8/00; F21S 8/003; F21S 8/043;  
F21Y 2105/001

See application file for complete search history.

(56) **References Cited**

**U.S. PATENT DOCUMENTS**

D434,515 S \* 11/2000 McNamara ..... D26/63  
D675,758 S \* 2/2013 Adams ..... D26/28  
D698,475 S \* 1/2014 Korpi ..... D26/63  
D708,778 S \* 7/2014 Sibitzky ..... D26/118

D716,986 S \* 11/2014 Ng ..... D26/60  
D739,064 S \* 9/2015 Heiner ..... D26/63  
D739,072 S \* 9/2015 Adams ..... D26/118  
D775,401 S \* 12/2016 Sibitzky ..... D26/118  
D782,718 S \* 3/2017 Ko ..... D26/63

\* cited by examiner

*Primary Examiner* — Brian N Vinson

(57) **CLAIM**

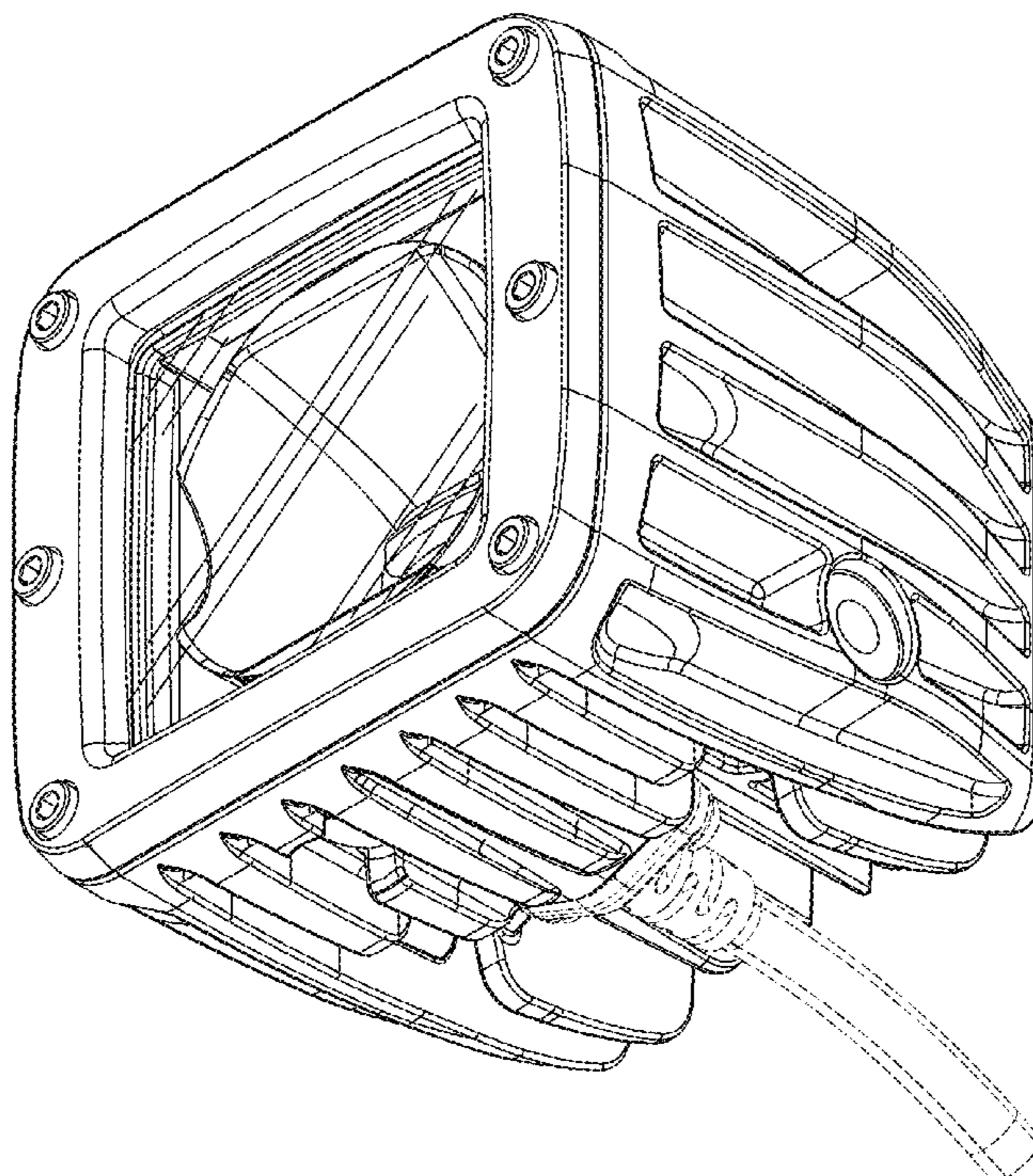
The ornamental design for a light fixture, as shown and described.

**DESCRIPTION**

FIG. 1 is a front, top, right, perspective view of a light fixture showing our new design;  
FIG. 2 is a front, top, left, perspective view thereof;  
FIG. 3 is a front, bottom, right, perspective view thereof;  
FIG. 4 is a front, bottom, left, perspective view thereof;  
FIG. 5 is a back, top, right, perspective view thereof;  
FIG. 6 is a back, top, left, perspective view thereof;  
FIG. 7 is a back, bottom, right, perspective view thereof;  
FIG. 8 is a back, bottom, left perspective view thereof;  
FIG. 9 is a front side view thereof;  
FIG. 10 is a back side view thereof;  
FIG. 11 is a right side view thereof;  
FIG. 12 is a left side view thereof;  
FIG. 13 is a top view thereof; and,  
FIG. 14 is a bottom view thereof.

The broken lines in the drawings illustrate portions of the light fixture which form no part of the claimed design.

**1 Claim, 14 Drawing Sheets**



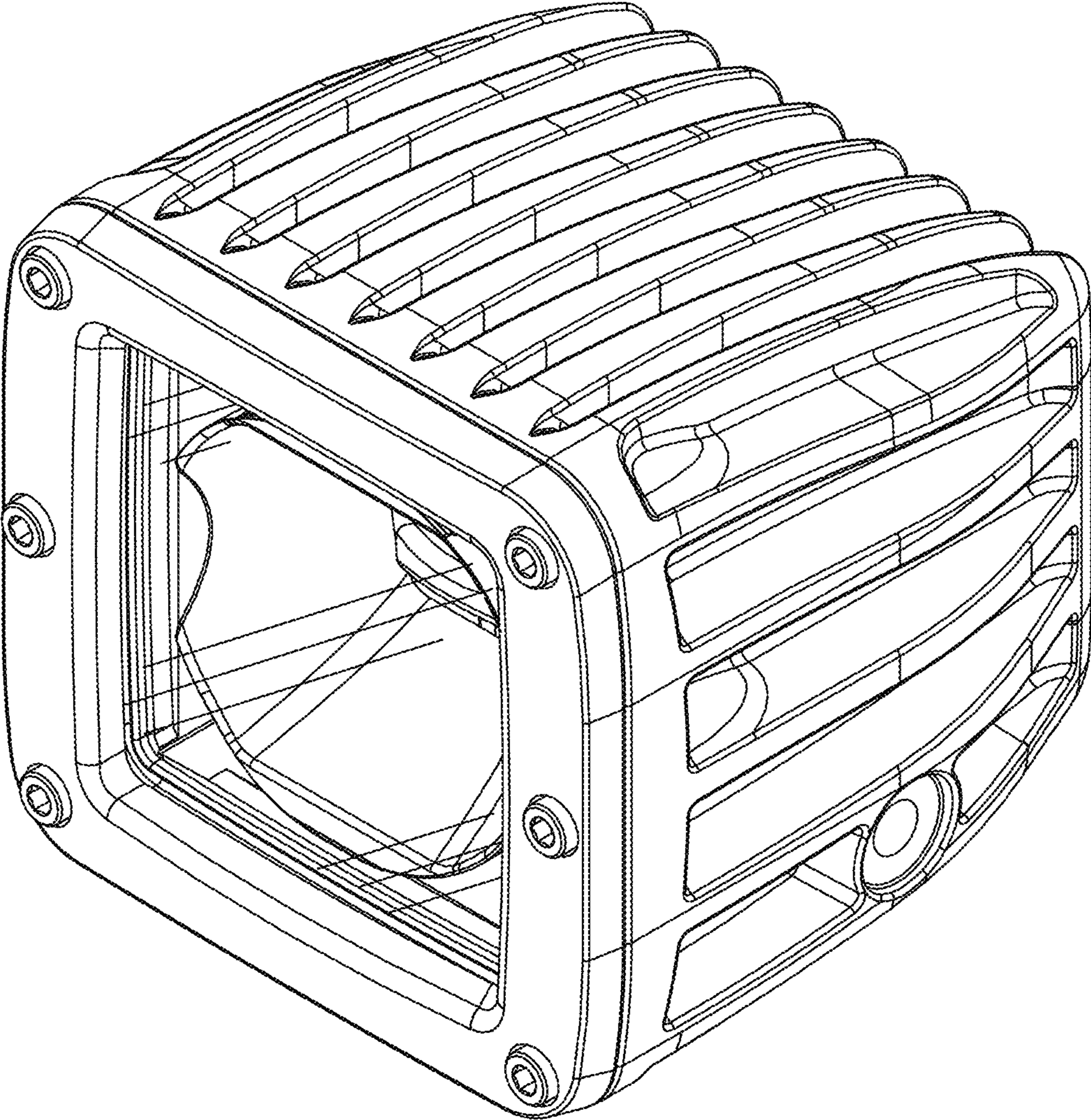


FIG. 1

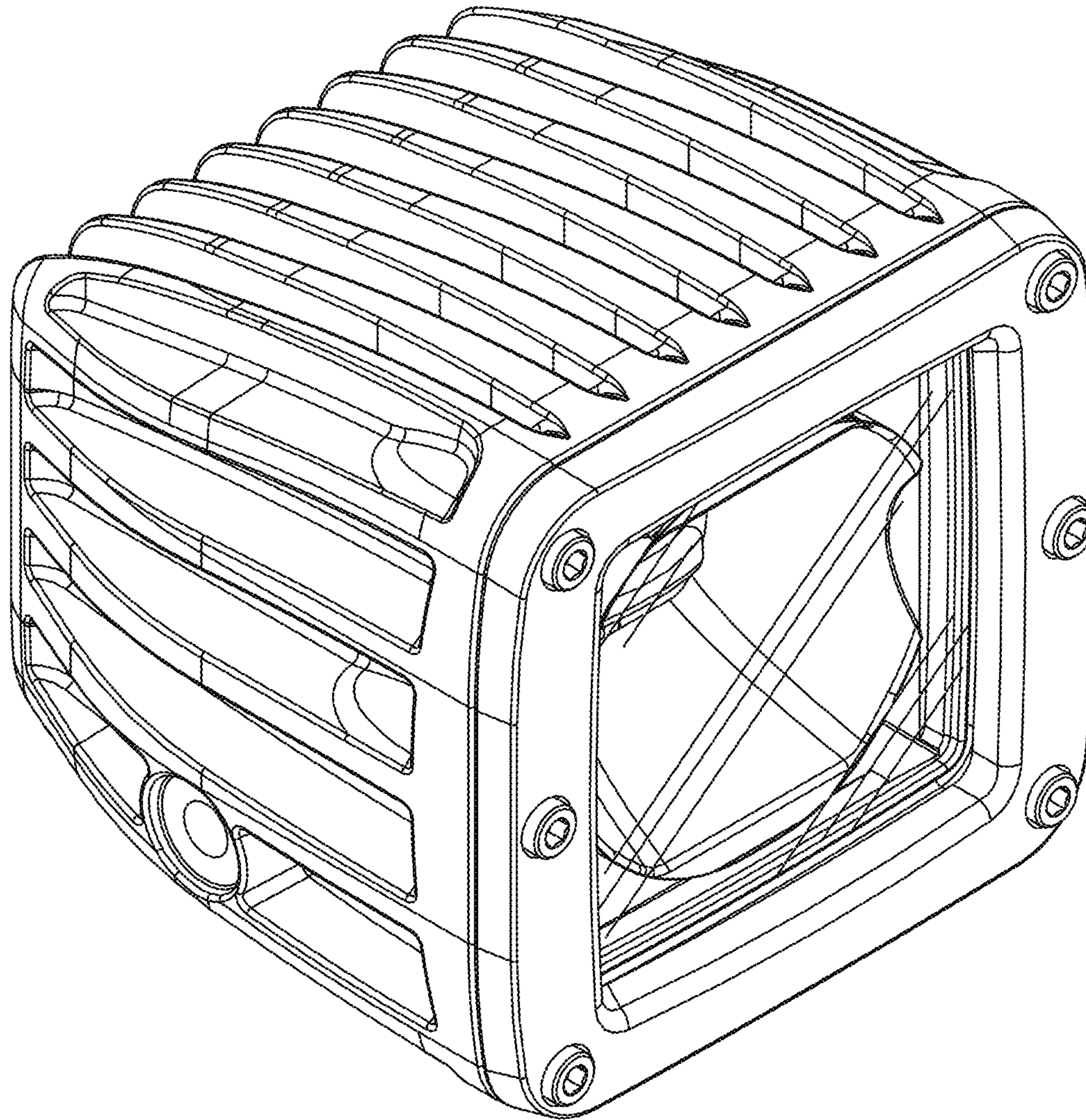


FIG. 2

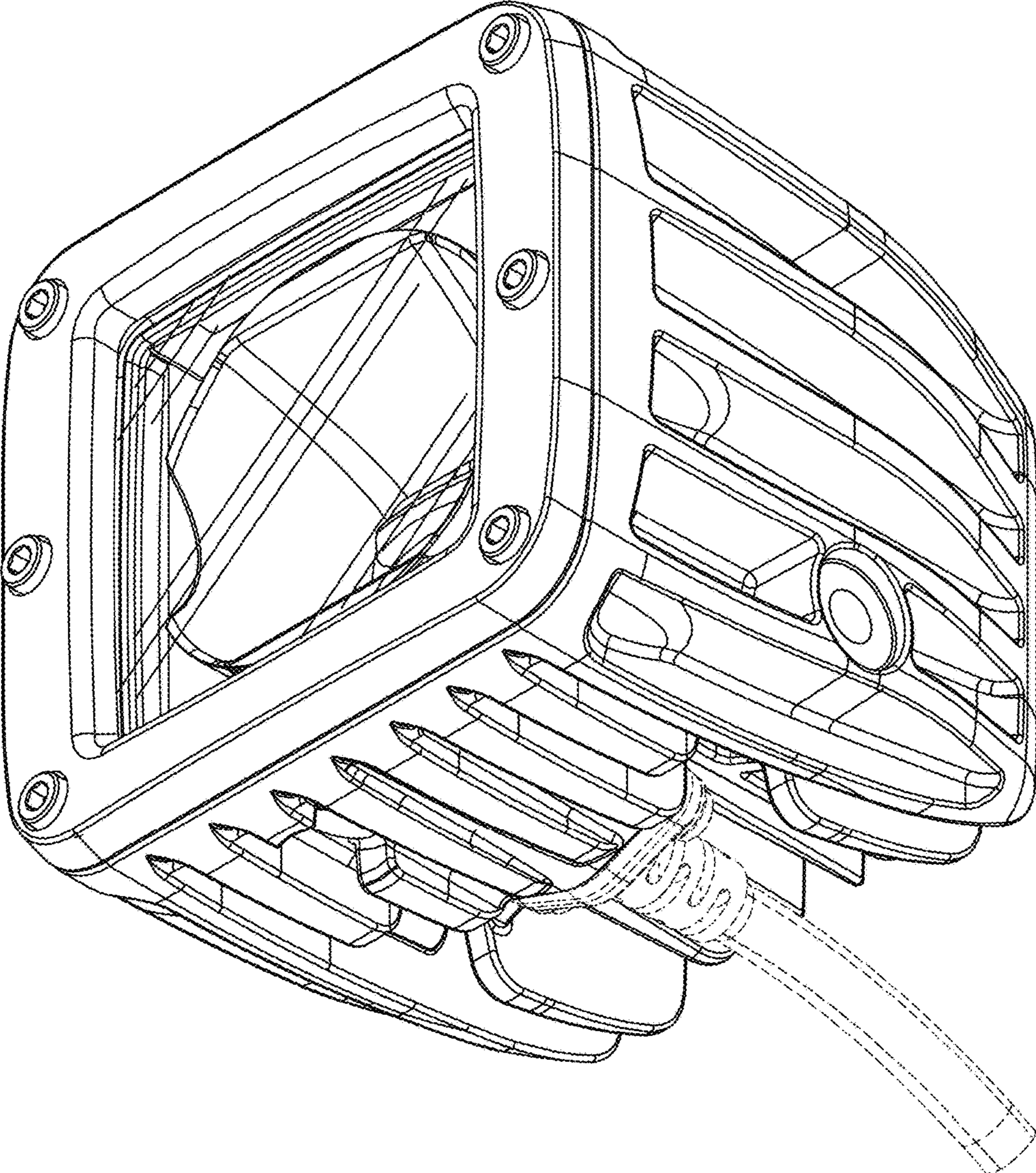


FIG. 3

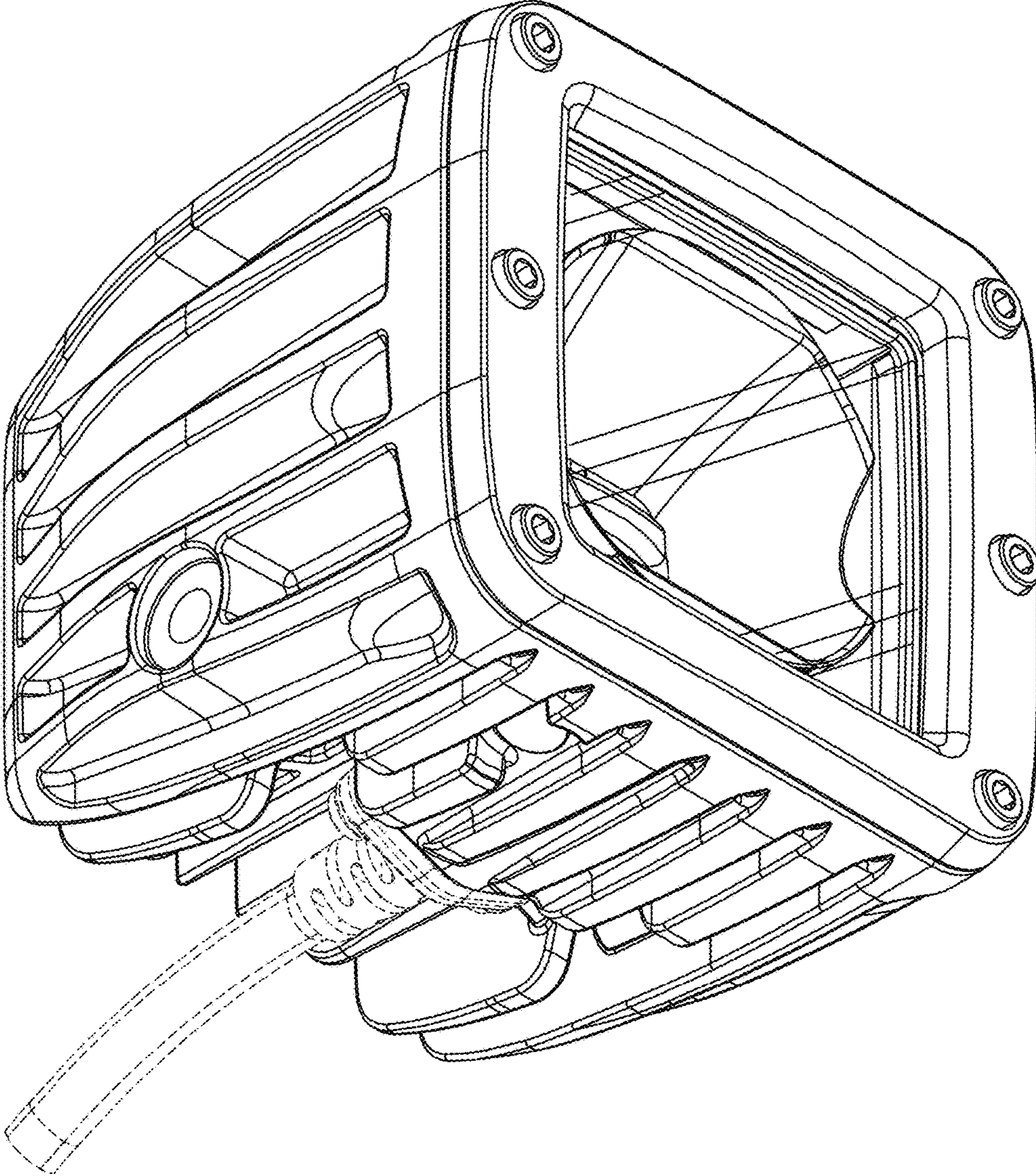


FIG. 4

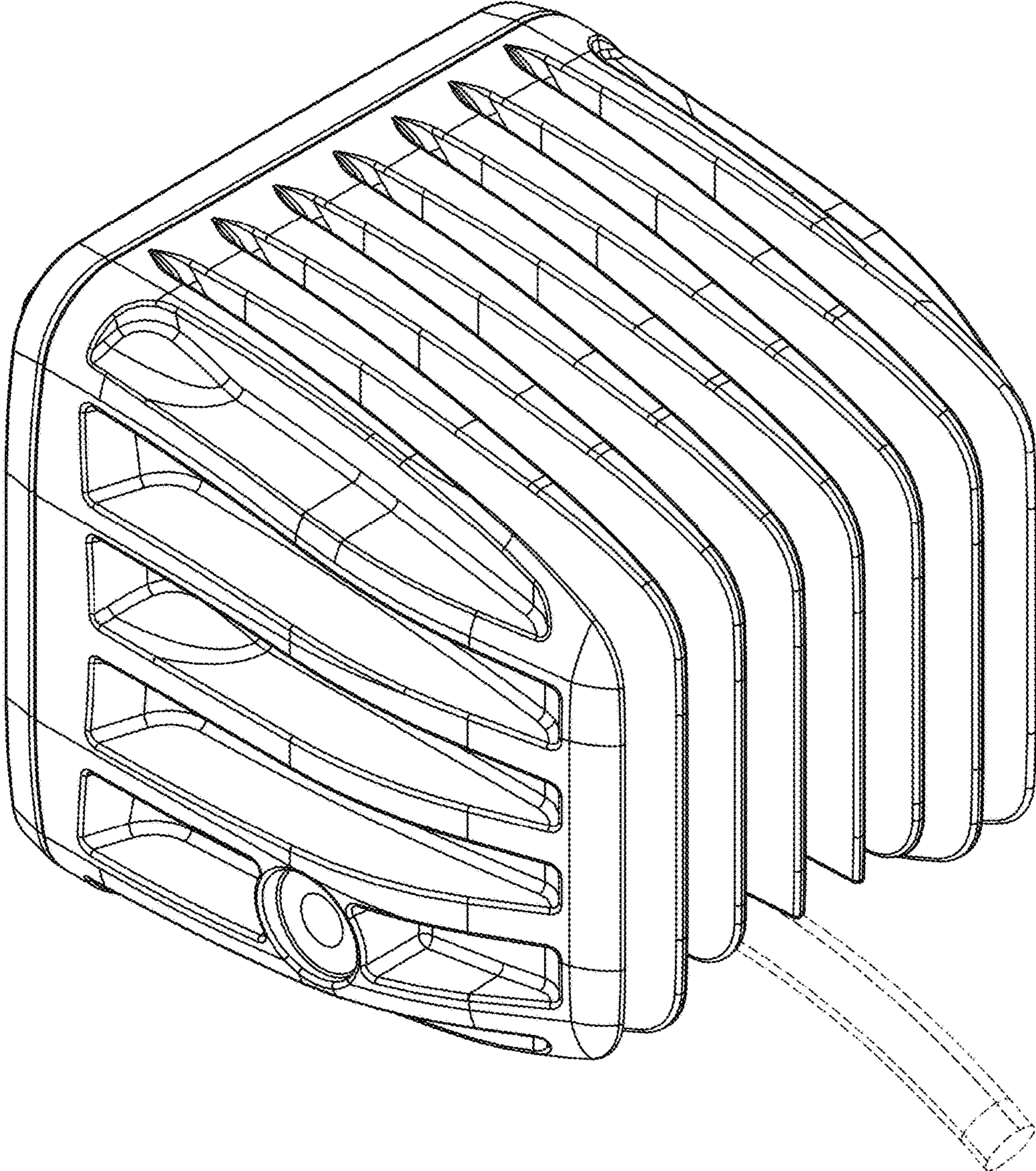


FIG. 5

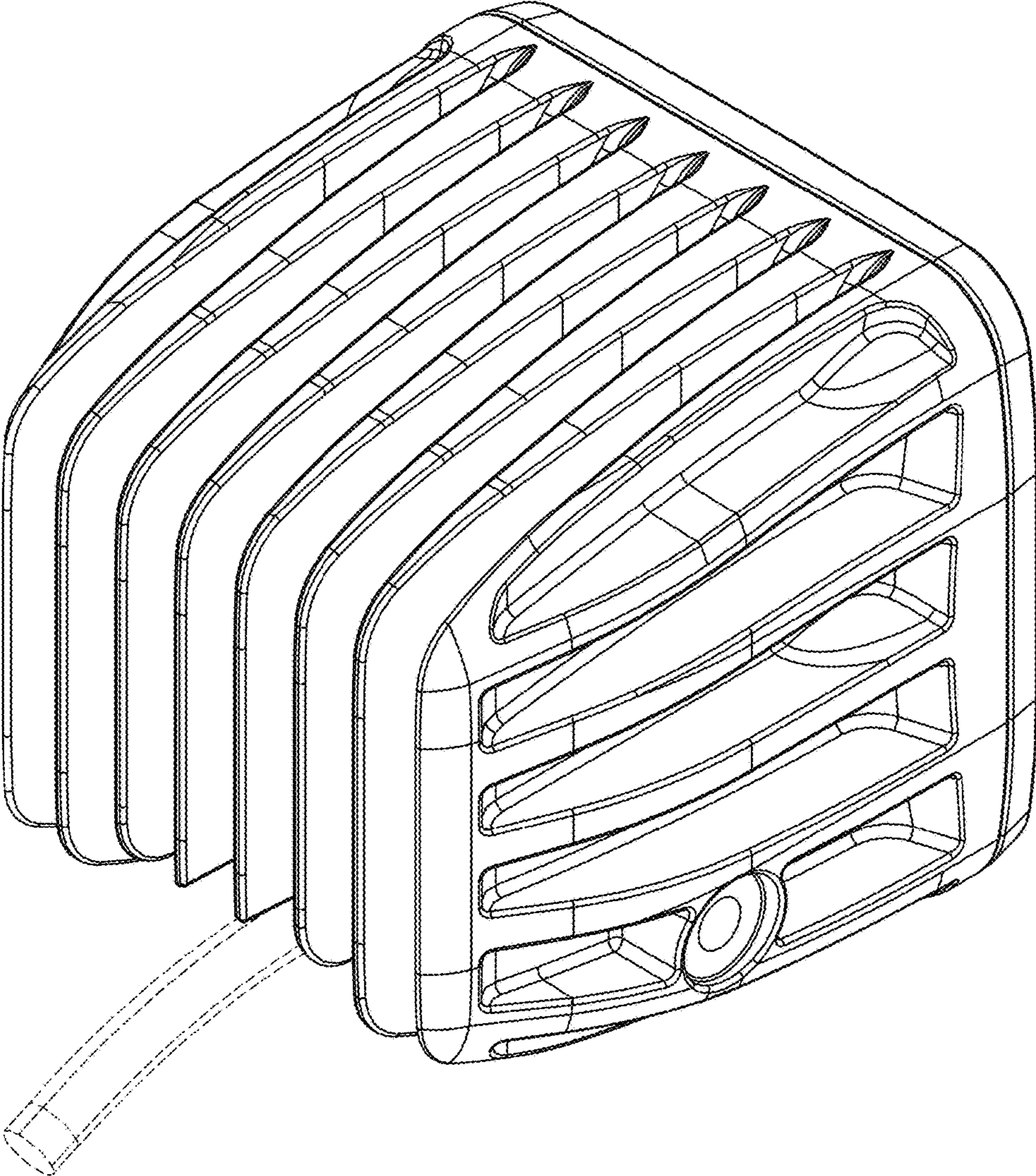


FIG. 6

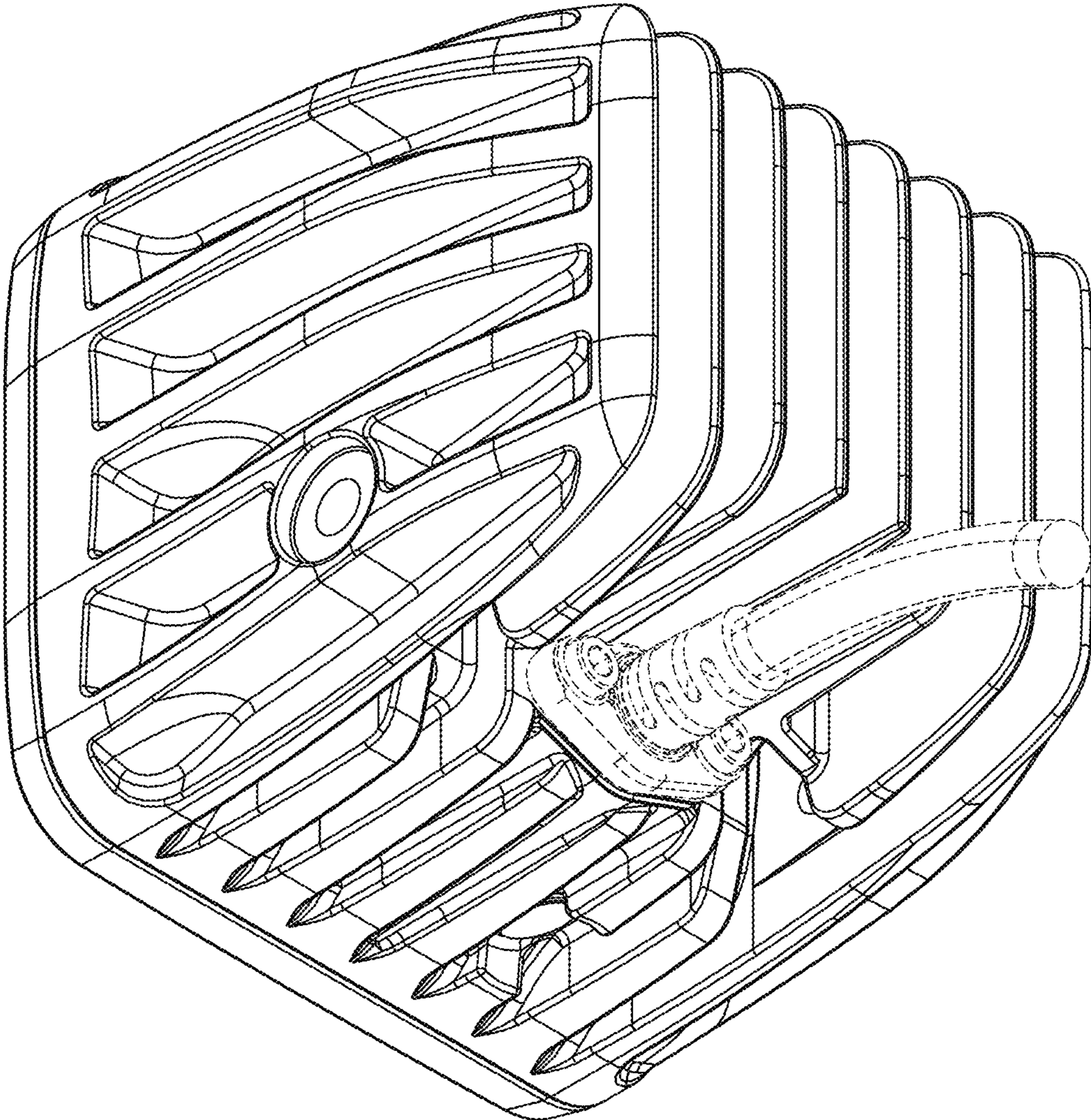


FIG. 7



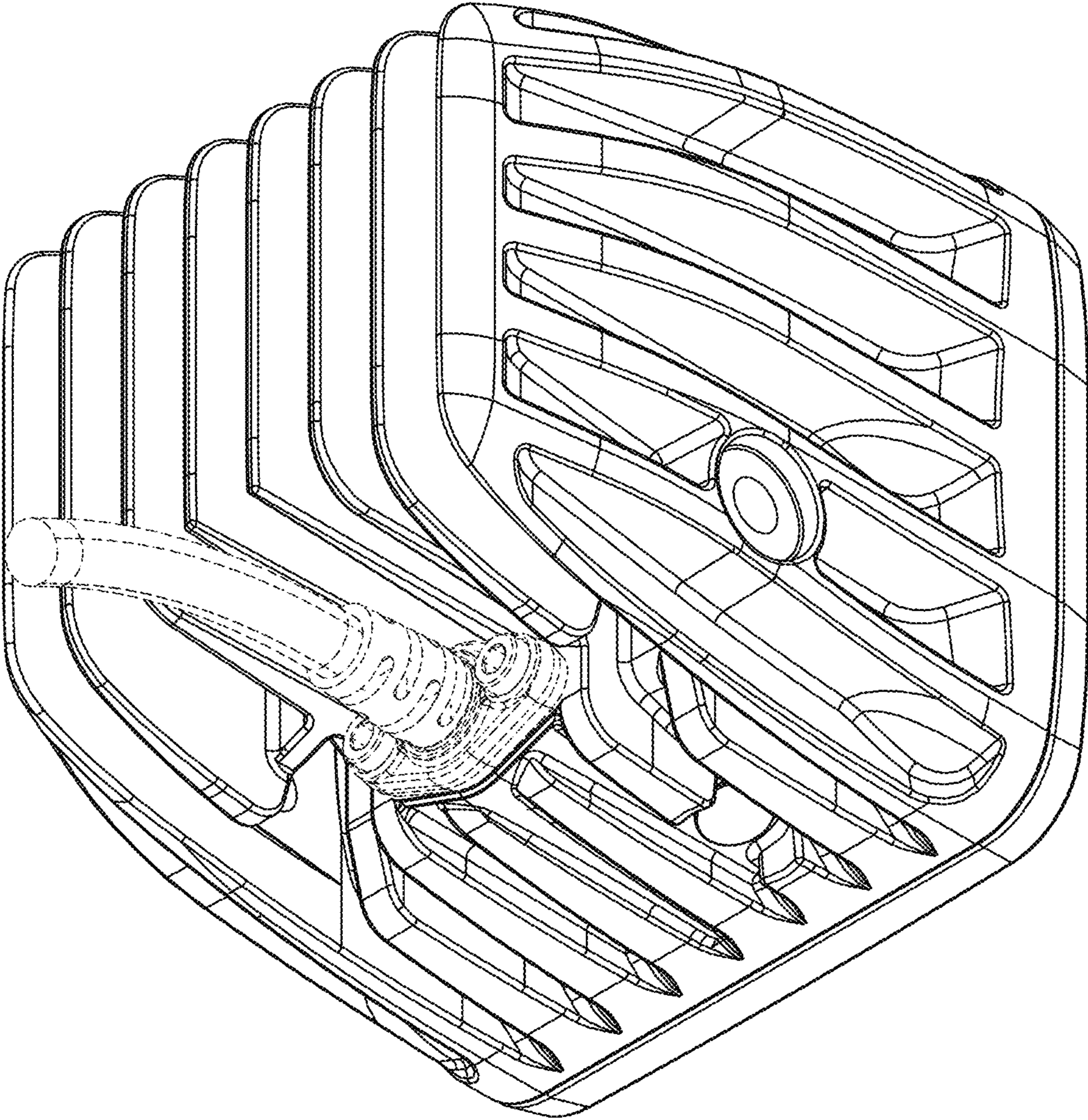


FIG. 8

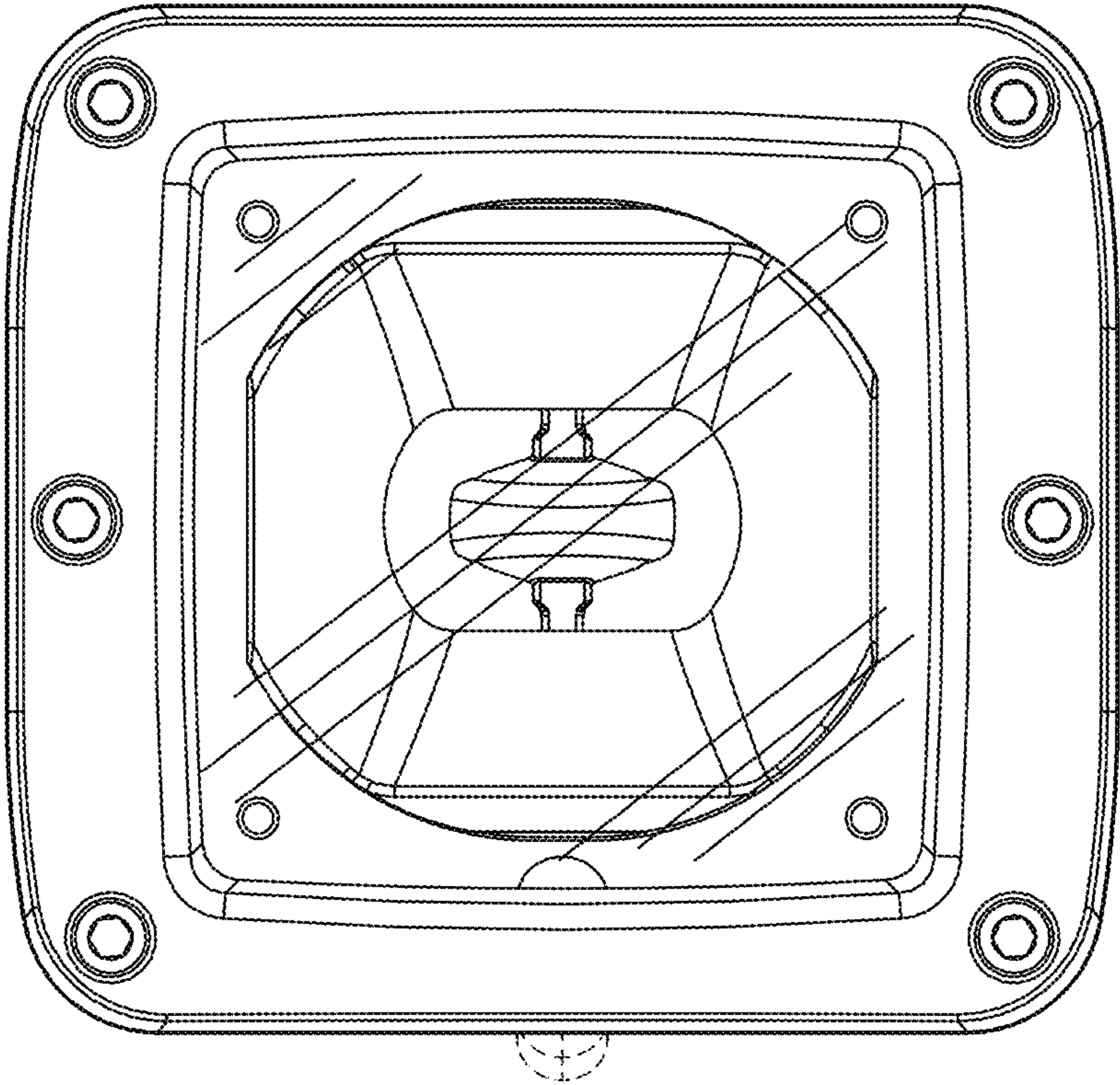


FIG. 9

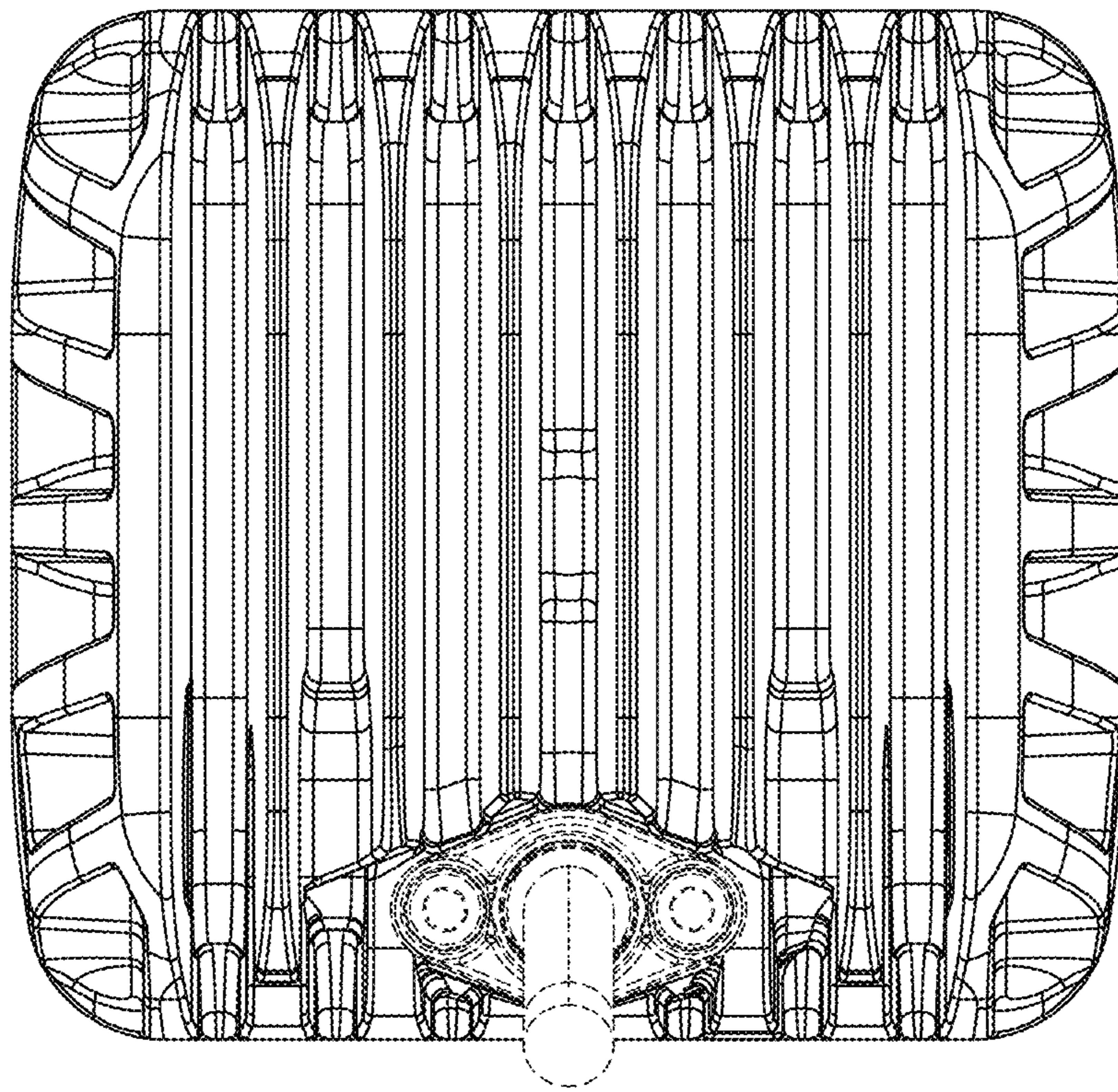


FIG. 10

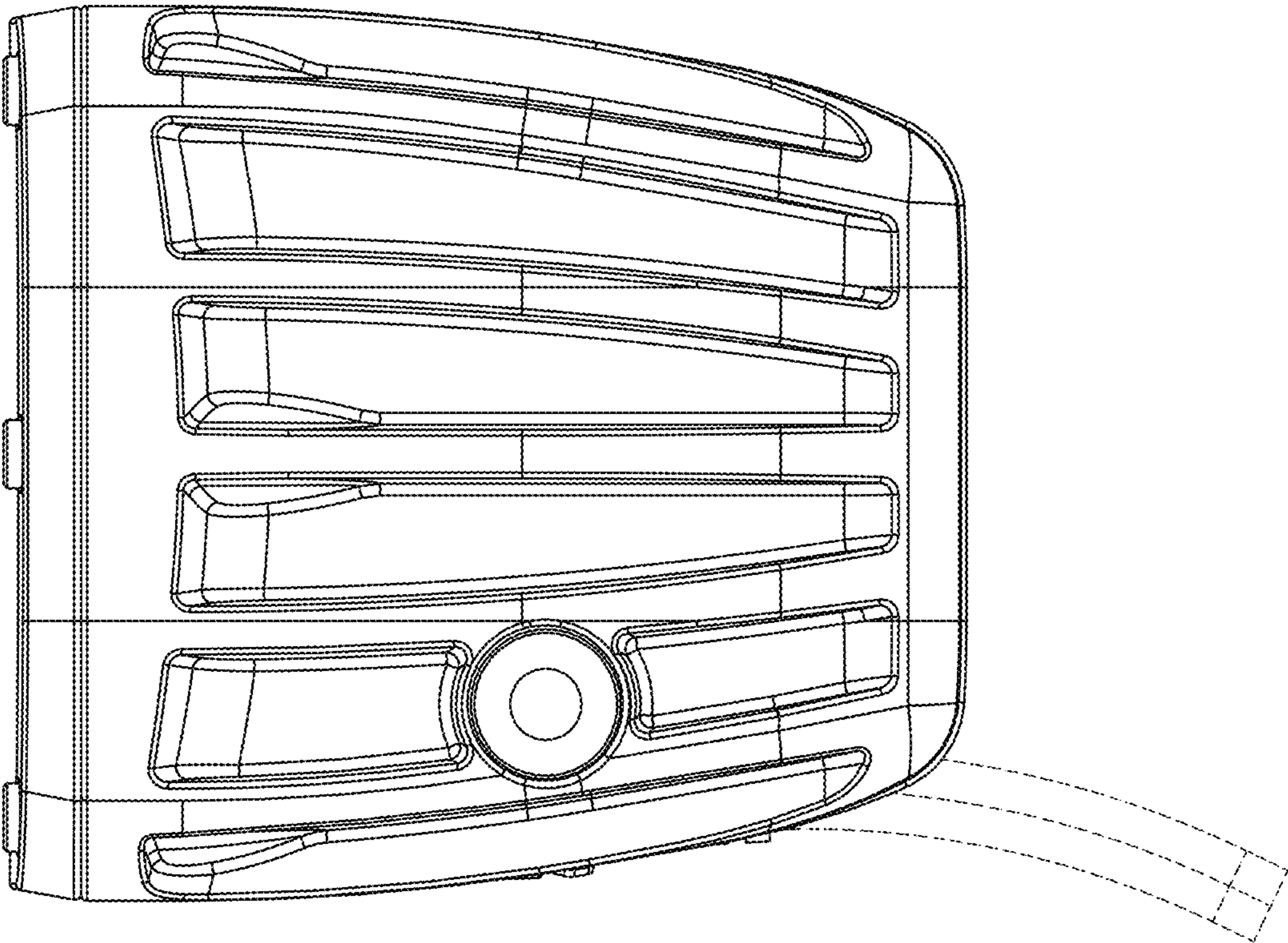


FIG. 11

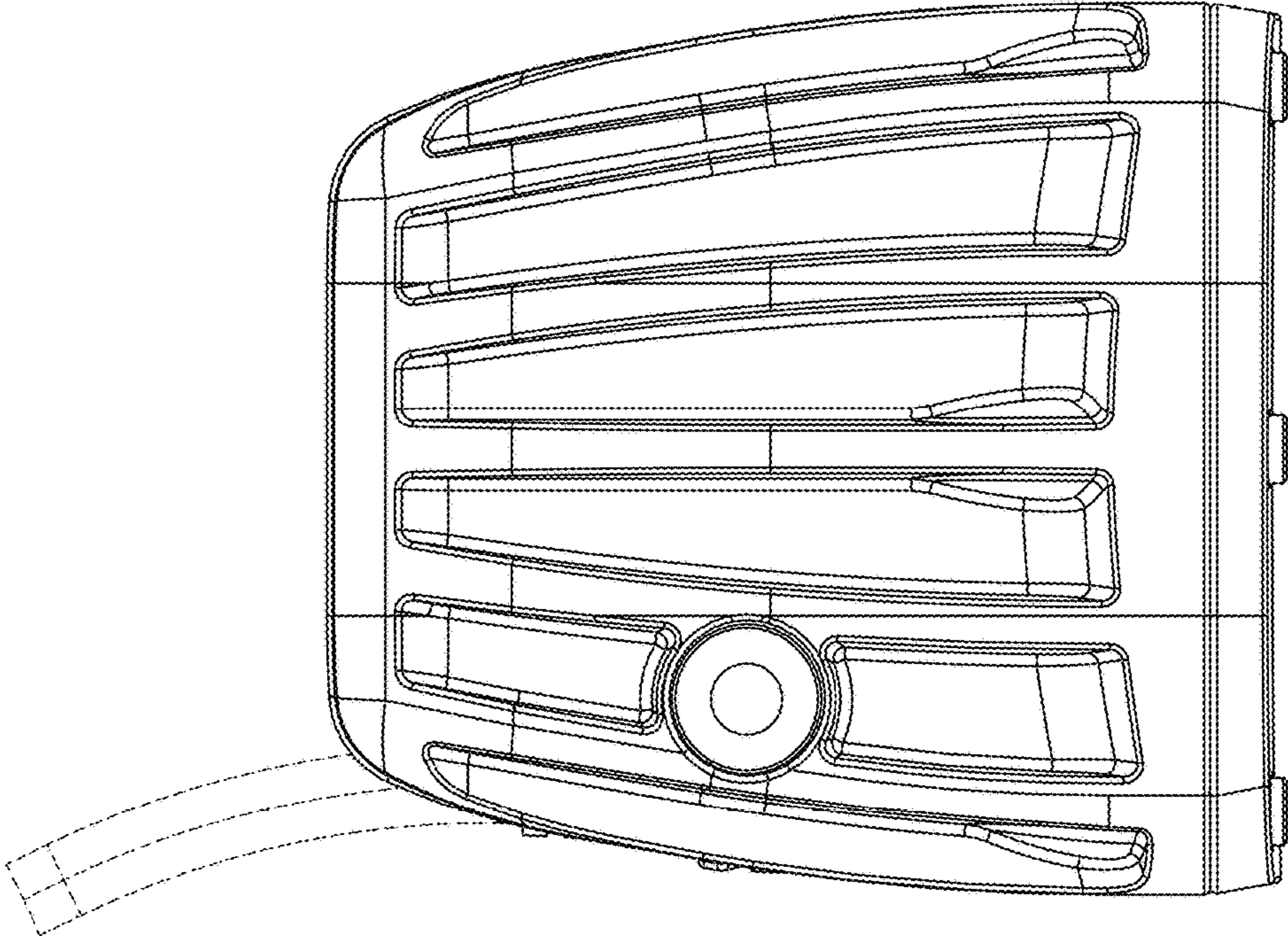


FIG. 12

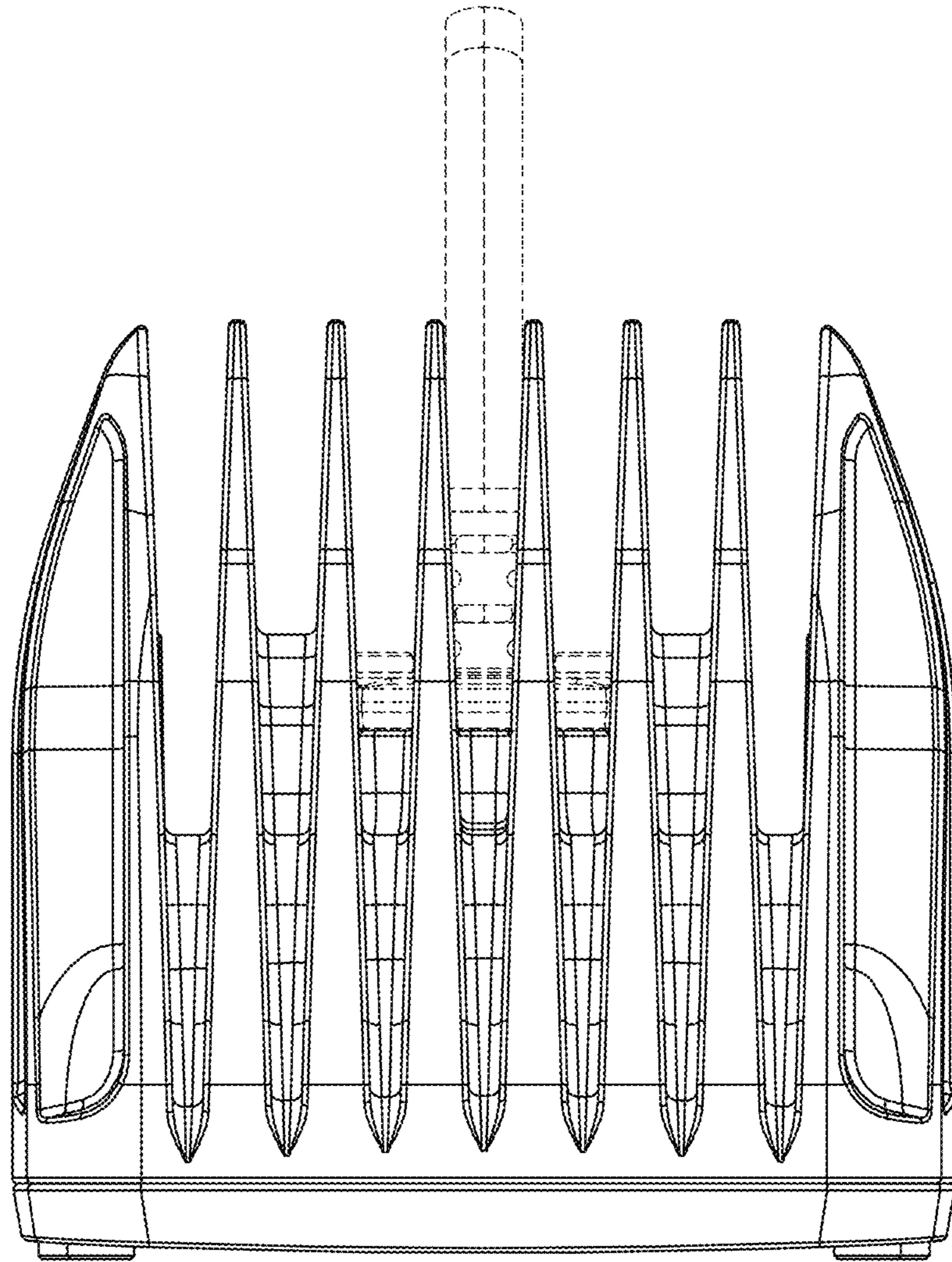


FIG. 13

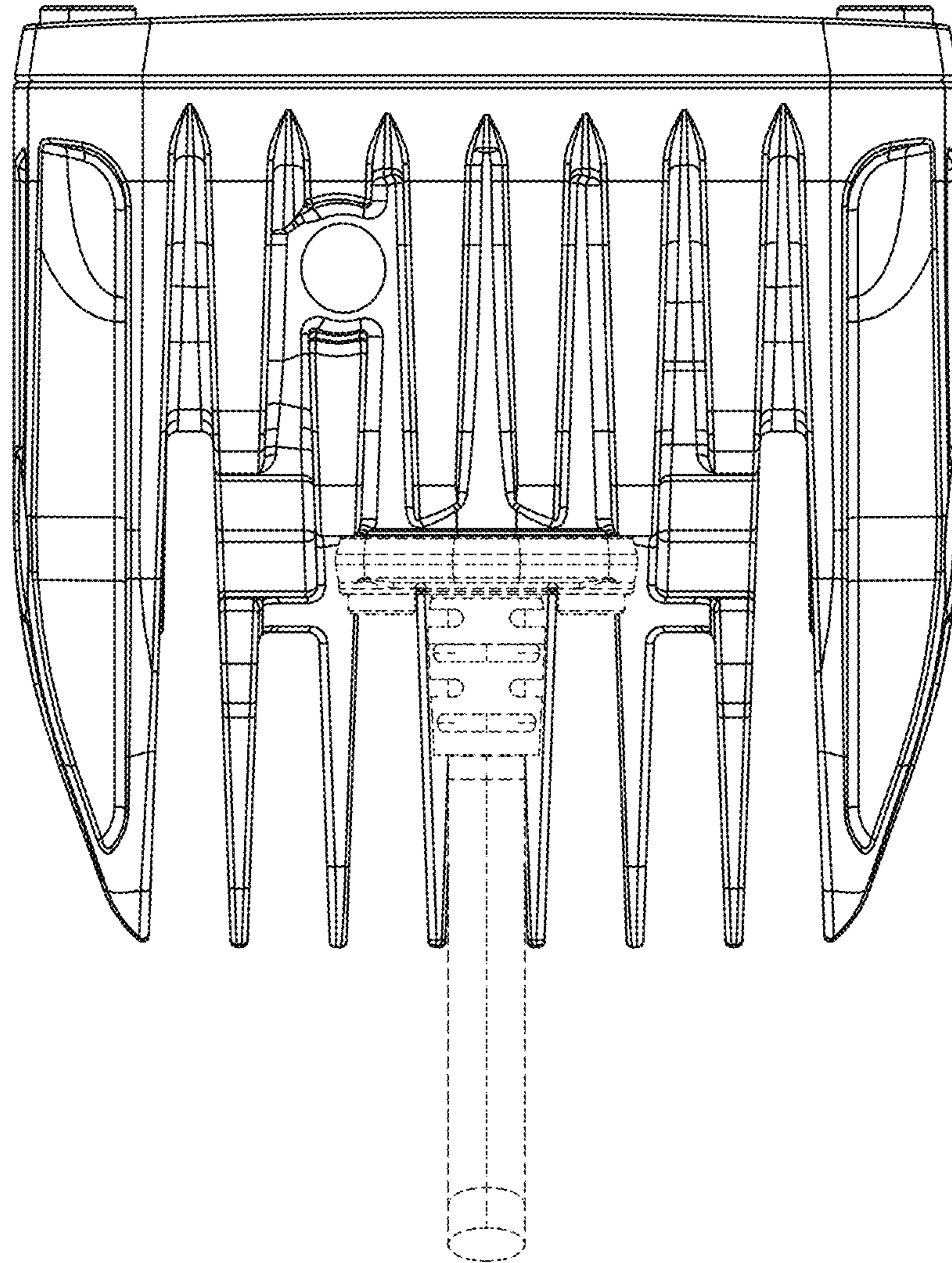


FIG. 14