



US00D805669S

(12) **United States Design Patent** (10) **Patent No.:** **US D805,669 S**
Noga (45) **Date of Patent:** **** Dec. 19, 2017**

(54) **FISHING AND SHRIMPING LIGHT**
(71) Applicant: **Rebecca Noga**, Edgewater, FL (US)
(72) Inventor: **Rebecca Noga**, Edgewater, FL (US)
(**) Term: **15 Years**
(21) Appl. No.: **29/562,779**
(22) Filed: **Apr. 28, 2016**
(51) **LOC (10) Cl.** **26-05**
(52) **U.S. Cl.**
USPC **D26/51**; D26/42
(58) **Field of Classification Search**
USPC D26/37, 38, 40, 41, 42, 46, 50, 51, 2
CPC F21L 2003/00; F21L 4/00; F21L 4/005;
F21L 4/02; F21L 4/025; F21L 4/027;
F21L 4/04; F21L 4/08; F21L 2005/00;
F21L 7/00; F21L 11/00; F21L 13/00;
F21L 13/04; F21L 13/08; F21L 14/02;
F21L 17/00; F21L 19/00
See application file for complete search history.

(56) **References Cited**

U.S. PATENT DOCUMENTS

D333,190 S * 2/1993 Waldmann D26/42
D416,344 S * 11/1999 Hawkins D26/42
D421,142 S * 2/2000 Bayat D26/42
D430,946 S * 9/2000 MacAllister D26/38
D446,877 S * 8/2001 Lester D26/72
D457,664 S * 5/2002 Moriyama D26/3
D458,339 S * 6/2002 Cheong D22/134
D505,217 S * 5/2005 Bayat D26/42
D538,456 S 3/2007 Trigiani
D567,977 S * 4/2008 Jianwei D26/42
D567,978 S * 4/2008 Jianwei D26/42
7,367,689 B2 * 5/2008 Huang F21L 4/00
362/171
D593,695 S * 6/2009 Levine D26/42

D620,627 S * 7/2010 Kovacik D26/42
8,419,211 B2 4/2013 Chi
D690,452 S * 9/2013 Payne D26/80
D694,446 S * 11/2013 Zhou D26/42
D701,986 S 4/2014 Goeckel
D711,573 S 8/2014 Payne
D726,355 S * 4/2015 Payne D26/37
2004/0007980 A1 1/2004 Shibata
2006/0198132 A1 * 9/2006 Trigiani F21L 4/027
362/183
2010/0033968 A1 2/2010 Kachkin
2010/0067230 A1 3/2010 Uang
2013/0063944 A1 3/2013 Lodhie
2013/0135852 A1 5/2013 Chan
2013/0250558 A1 * 9/2013 Griffin F21L 4/00
362/183
2016/0360585 A1 * 12/2016 Urry H05B 33/0845

* cited by examiner

Primary Examiner — Lakiya Robers
Assistant Examiner — Carissa C Fitts
(74) *Attorney, Agent, or Firm* — QuickPatents, LLC;
Kevin Prince

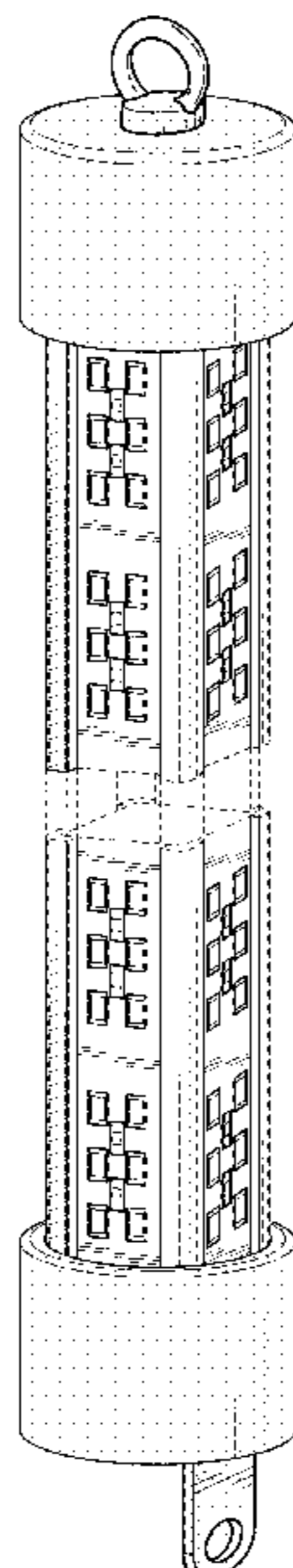
(57) **CLAIM**

I claim the ornamental design for a fishing and shrimping light, as shown and described.

DESCRIPTION

FIG. 1 is a perspective view of a fishing and shrimping light, showing my new design;
FIG. 2 is a left-side elevational view thereof, the right-side elevational view being a mirror image thereof;
FIG. 3 is a front elevational view thereof;
FIG. 4 is a rear elevational view thereof;
FIG. 5 is a top plan view thereof; and,
FIG. 6 is a bottom plan view thereof.
The broken lines in the figures depict portions of the light that form no part of the claimed design.

1 Claim, 4 Drawing Sheets



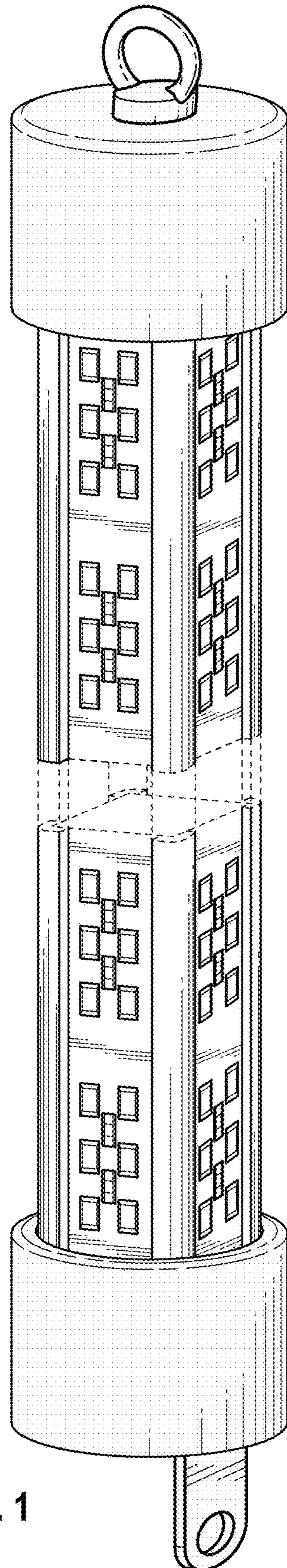


FIG. 1

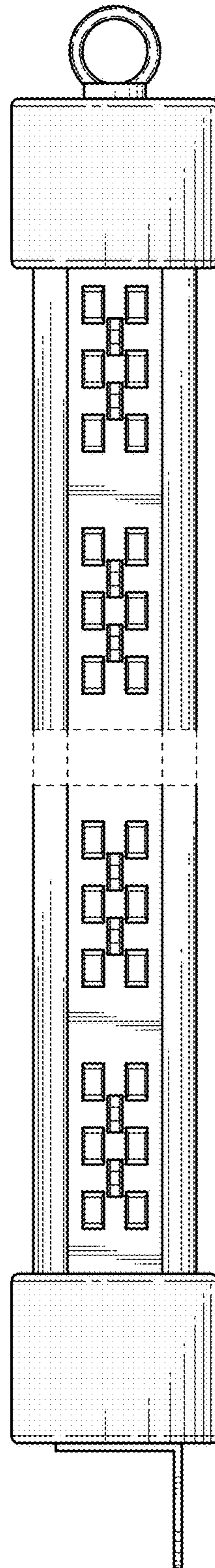


FIG. 2

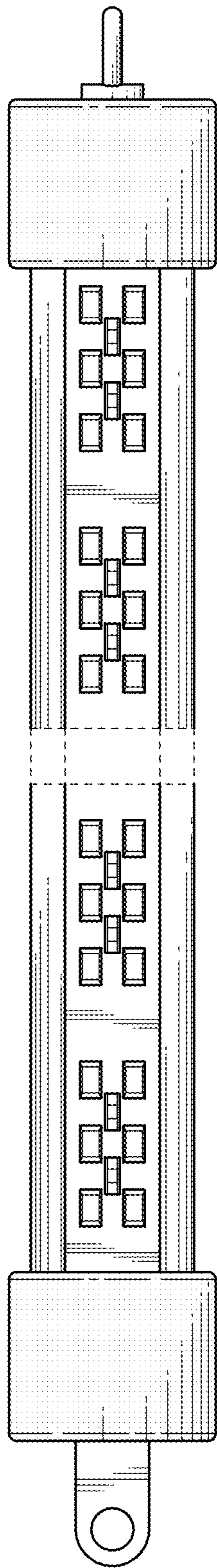


FIG. 3

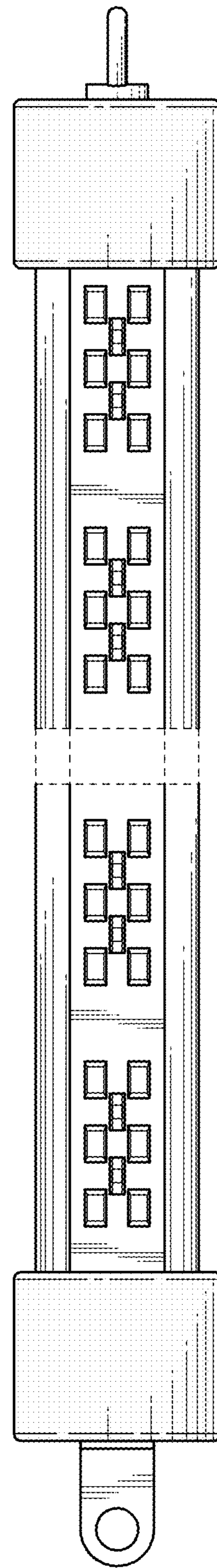


FIG. 4

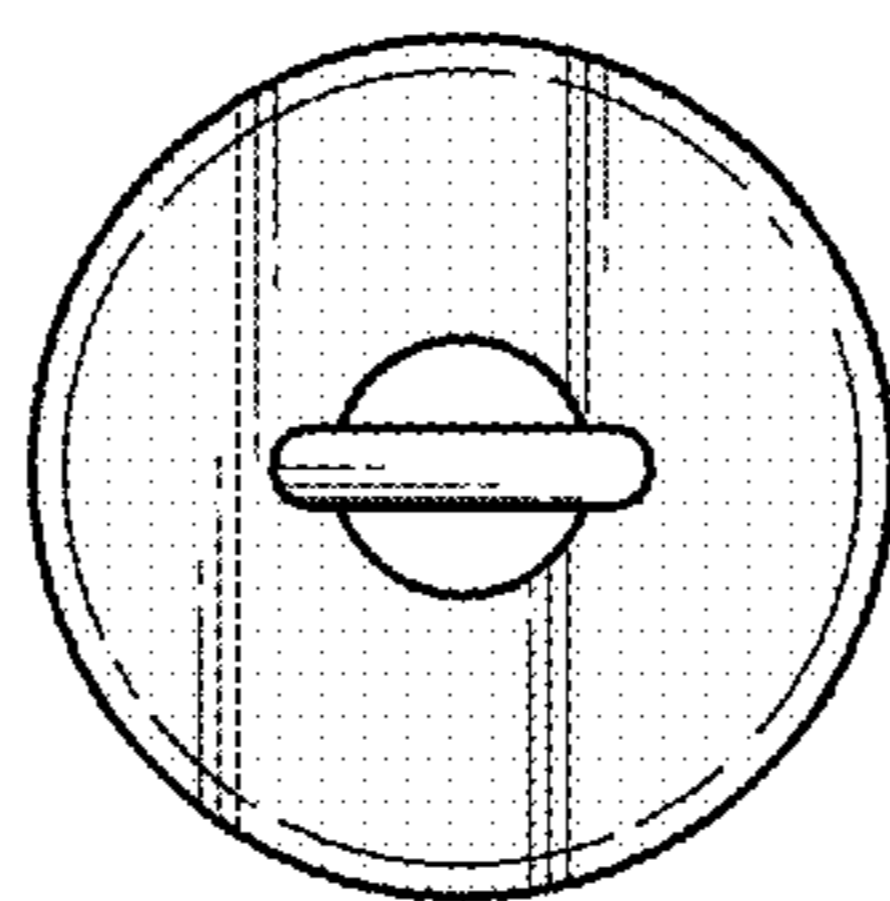


FIG. 5

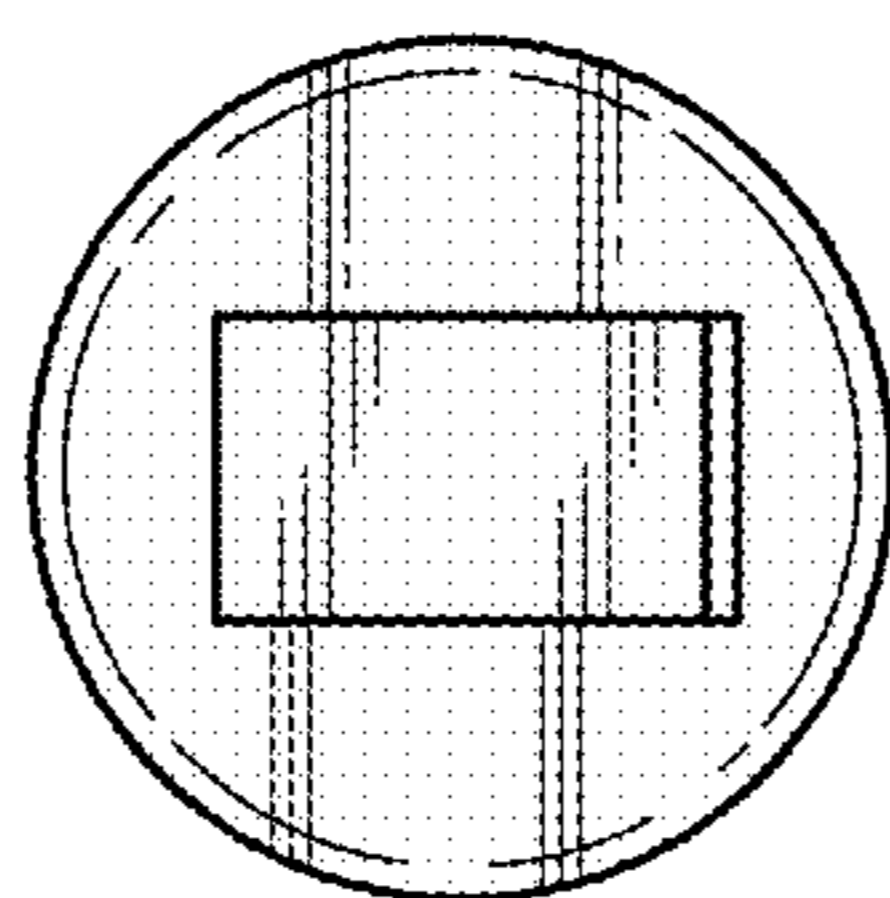


FIG. 6